



US00D711273S

(12) **United States Design Patent**
Mulvoy et al.

(10) **Patent No.:** **US D711,273 S**
(45) **Date of Patent:** **** Aug. 19, 2014**

(54) **SNAP REFLECTOR**

(75) Inventors: **Maree Mulvoy**, Copemish, MI (US);
Dennis Stacey, Copemish, MI (US)

(73) Assignee: **M-R Products, Inc.**, Copemish, MI
(US)

(**) Term: **14 Years**

(21) Appl. No.: **29/418,164**

(22) Filed: **Apr. 12, 2012**

(51) **LOC (10) Cl.** **10-05**

(52) **U.S. Cl.**
USPC **D10/111**

(58) **Field of Classification Search**
USPC D10/109–111, 121; 116/63 C, 63 T, 63 P;
359/521–525, 545–549; 404/6–15

See application file for complete search history.

(56) **References Cited**

U.S. PATENT DOCUMENTS

D346,562 S *	5/1994	Parsons et al.	D10/111
D358,354 S *	5/1995	Weid	D10/111
D423,974 S *	5/2000	Bell	D10/111
D442,506 S *	5/2001	Allen	D10/111

* cited by examiner

Primary Examiner — Marcus Jackson

(74) *Attorney, Agent, or Firm* — Rader, Fishman & Grauer
PLLC

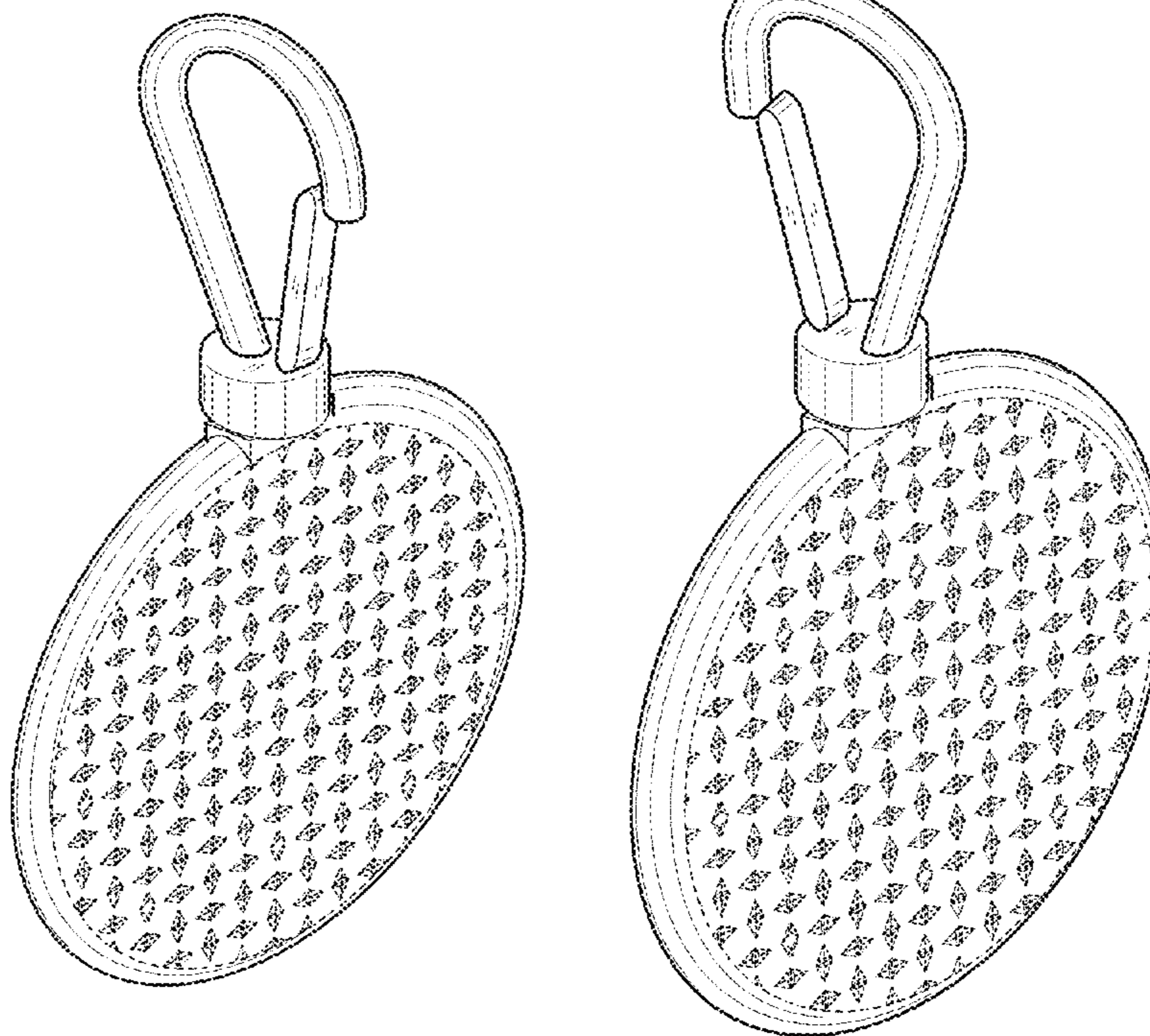
(57) **CLAIM**

The ornamental design for snap reflector, as shown and described.

DESCRIPTION

FIG. 1 is a front perspective view of a snap reflector;
FIG. 2 is a back perspective view of a snap reflector;
FIG. 3 is a right side view of a snap reflector;
FIG. 4 is a left side view of a snap reflector;
FIG. 5 is a back view of a snap reflector; and,
FIG. 6 is a front view of a snap reflector.
Portions of FIGS. 1-6 that are shown as broken lines are for illustrative purpose only and form no part of the claimed design.

1 Claim, 2 Drawing Sheets



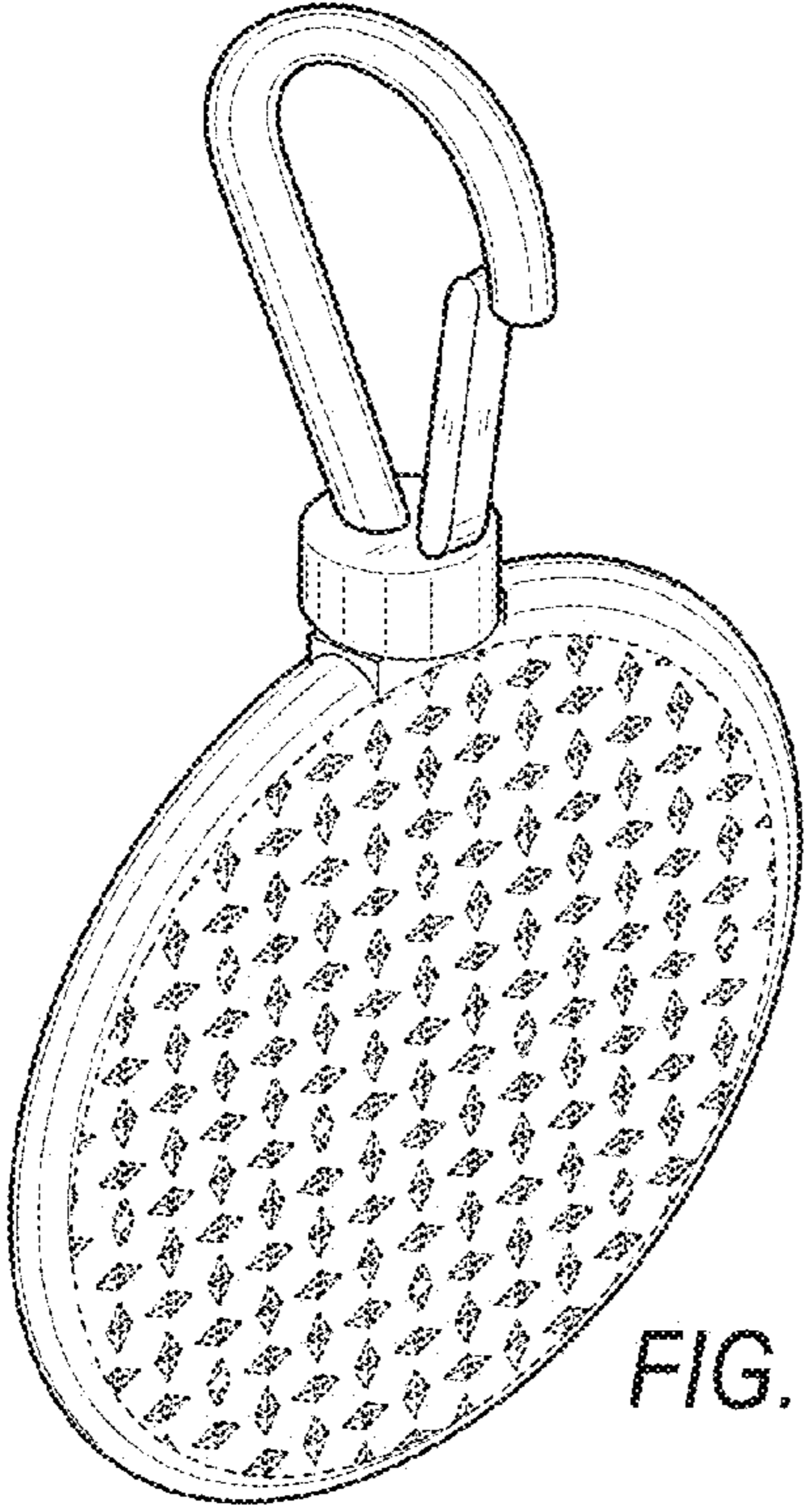


FIG. 1

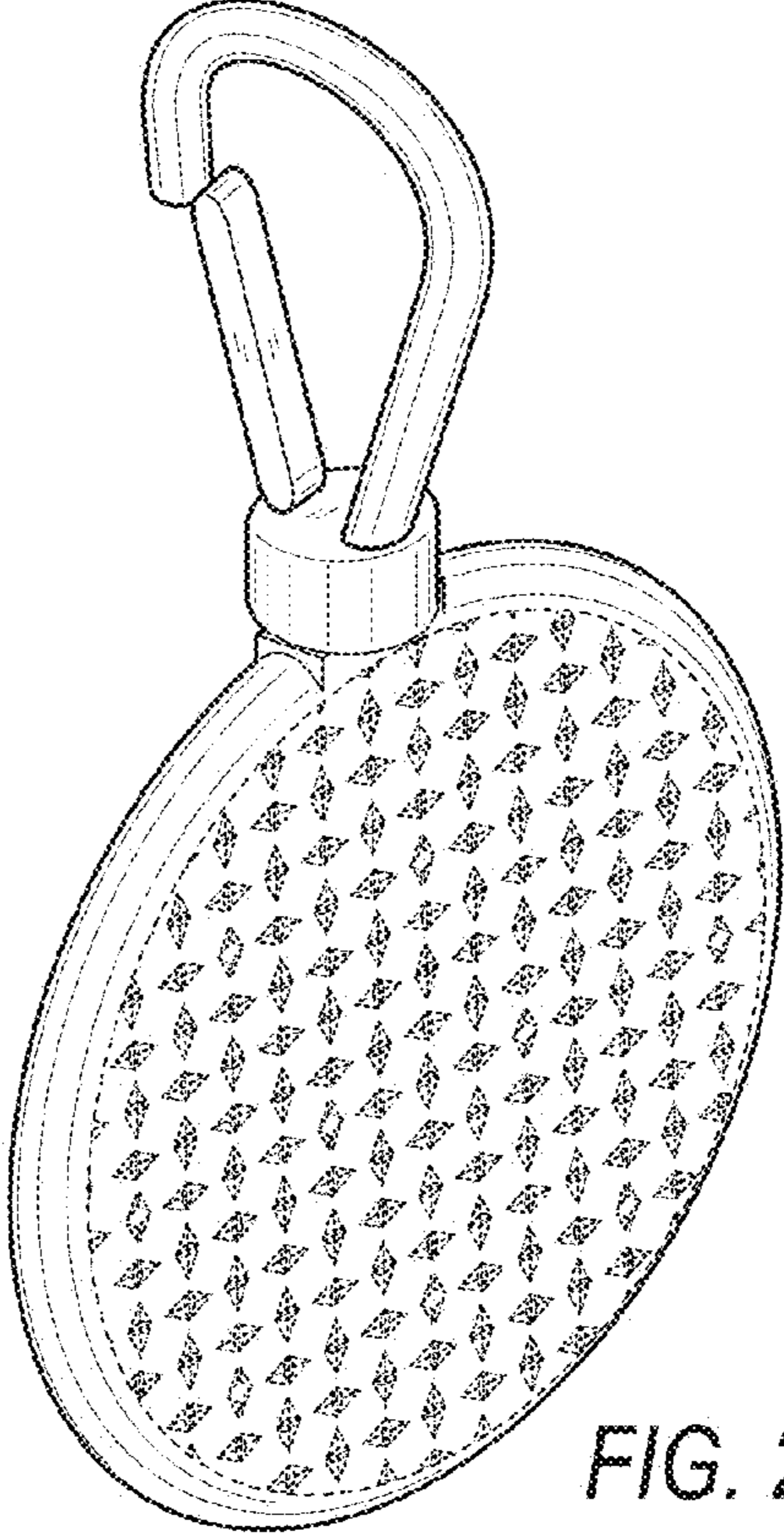


FIG. 2

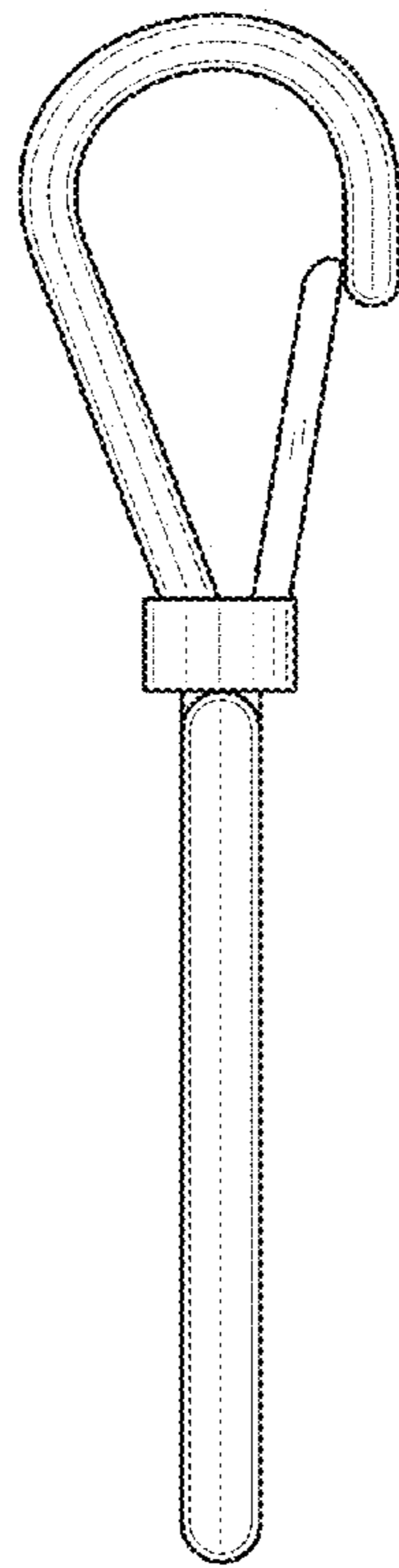


FIG. 3

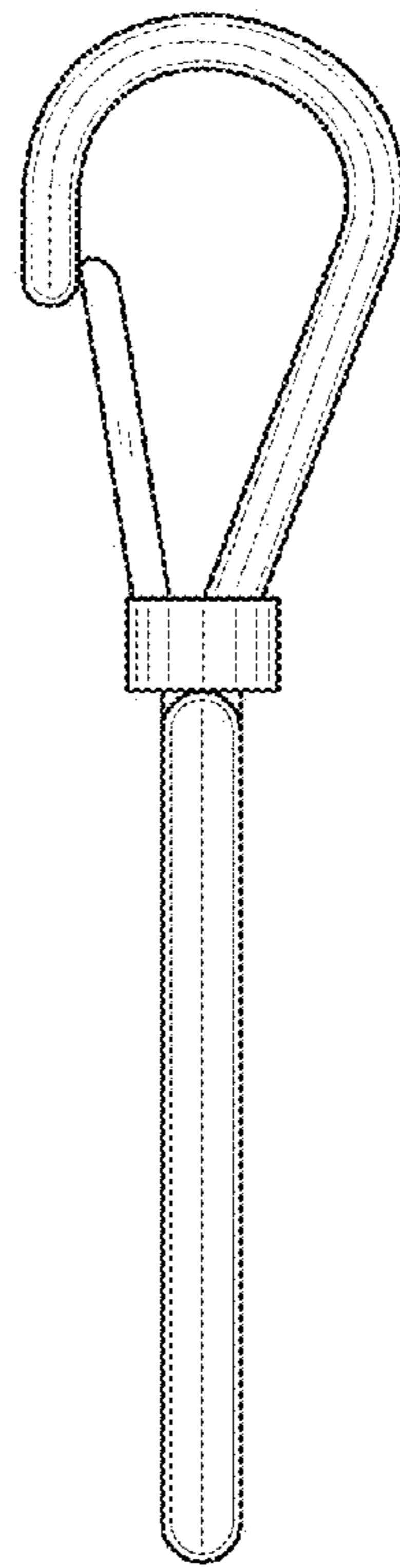


FIG. 4

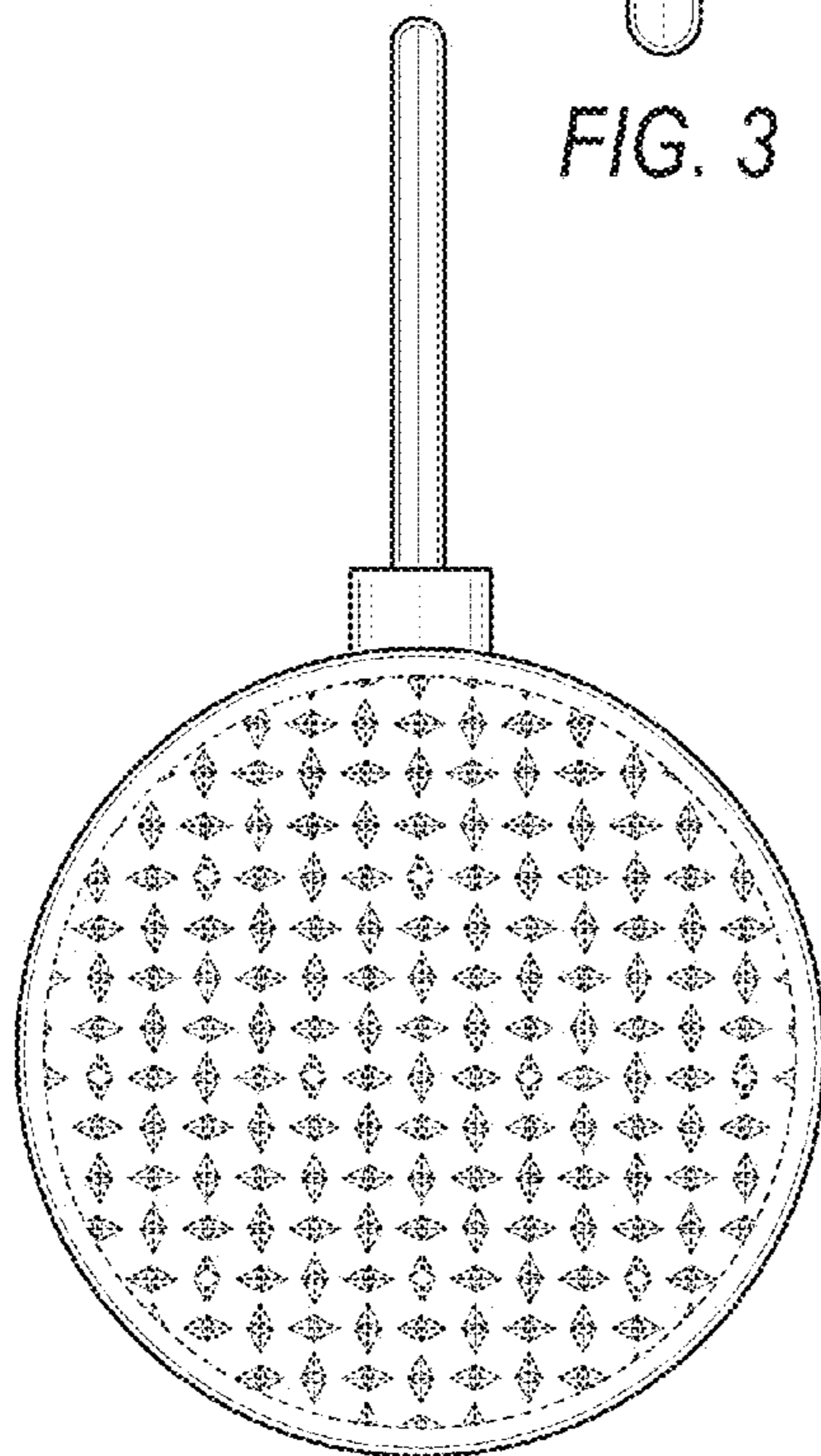


FIG. 5

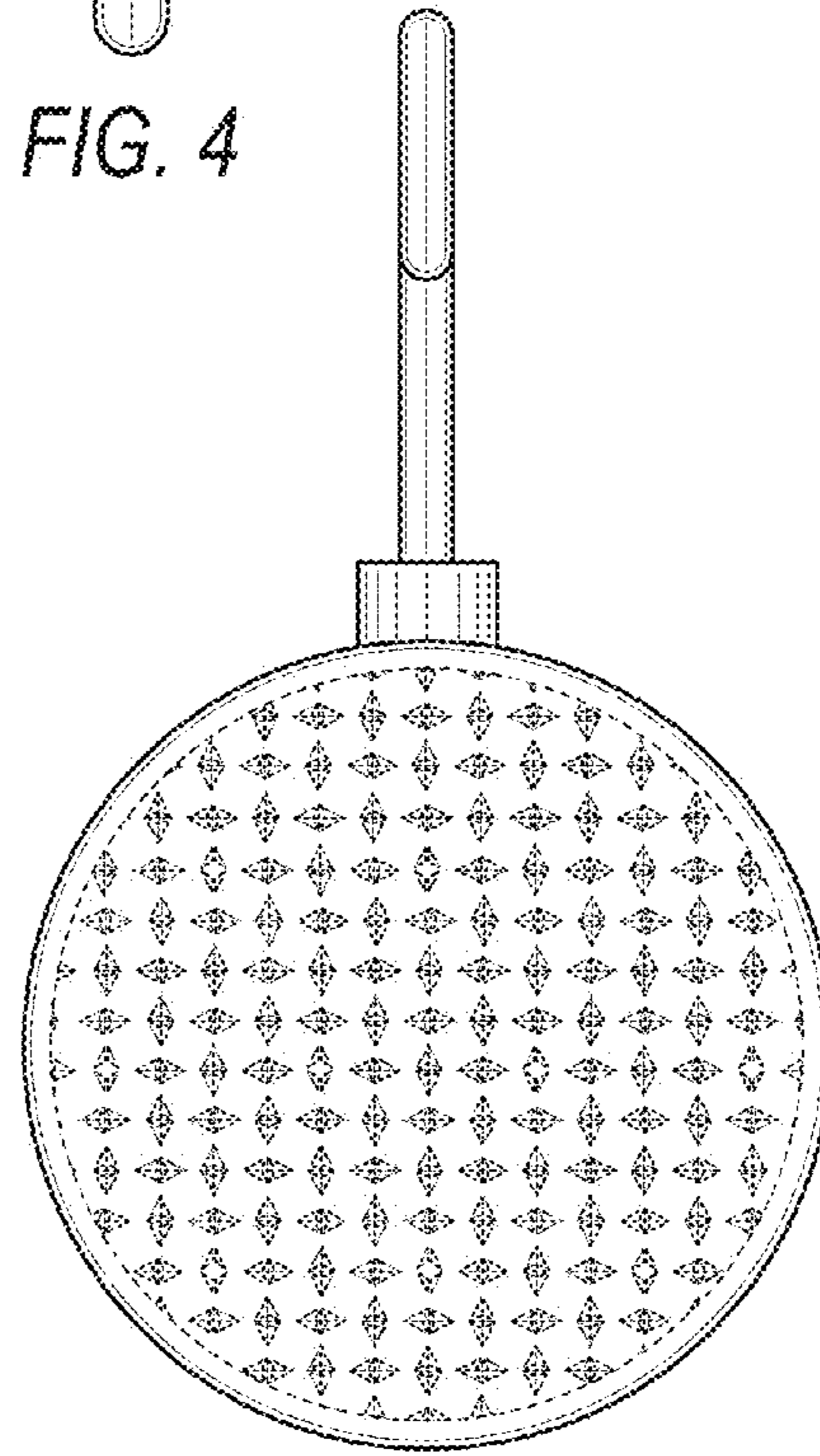


FIG. 6