



US00D711271S

(12) **United States Design Patent**
Persson

(10) **Patent No.:** **US D711,271 S**
(45) **Date of Patent:** **** Aug. 19, 2014**

(54) **ROTATING FLOW CELL CONTAINING A CARTRIDGE THEREIN**

- (71) Applicant: **Jonas Persson, Kåge (SE)**
- (72) Inventor: **Jonas Persson, Kåge (SE)**
- (73) Assignee: **Nordic ChemQuest AB, Umea (SE)**
- (**) Term: **14 Years**
- (21) Appl. No.: **29/442,106**
- (22) Filed: **Dec. 7, 2012**
- (30) **Foreign Application Priority Data**

Jun. 7, 2012 (EP) 002053868

(51) **LOC (10) Cl.** **10-04**

(52) **U.S. Cl.**
USPC **D10/103; D10/81**

(58) **Field of Classification Search**
CPC B01F 7/00033; B01F 7/006; B01F 7/007;
B01F 7/1625; B01F 7/163; B01F 7/1635;
B01F 11/0088; B01F 13/0818; B01J 47/00;
B01J 4/007; B01J 8/025; B01J 8/10; B01J
19/18
USPC D10/46, 81, 103; D24/216, 220, 223,
D24/224; 210/683; 422/209, 261, 236, 211,
422/129

See application file for complete search history.

(56) **References Cited**

U.S. PATENT DOCUMENTS

D601,444 S *	10/2009	Jones et al.	D10/81
8,163,248 B2 *	4/2012	Takahashi	422/155
8,460,615 B2 *	6/2013	Persson et al.	422/209
8,546,031 B2 *	10/2013	Chou et al.	429/423

* cited by examiner

Primary Examiner — Antoine D Davis

(74) *Attorney, Agent, or Firm* — Harness, Dickey & Pierce, P.L.C.

(57) **CLAIM**

The ornamental design for a rotating flow cell containing a cartridge therein, as shown and described.

DESCRIPTION

FIG. 1 is a side view of the rotating flow cell.
 FIG. 2 is a perspective view of the rotating flow cell from below.
 FIG. 3 is a perspective view of the rotating flow cell from above.
 FIG. 4 is a plan view of a cartridge contained within the rotating flow cell.
 FIG. 5 is a perspective view of the concave surface of the cartridge from above.
 FIG. 6 is a side view of the concave surface of the cartridge.
 FIG. 7 is an end view of the cartridge.
 FIG. 8 is a perspective view of the convex surface of the cartridge from above; and,
 FIG. 9 is a perspective view of the convex surface of the cartridge from below.

1 Claim, 9 Drawing Sheets

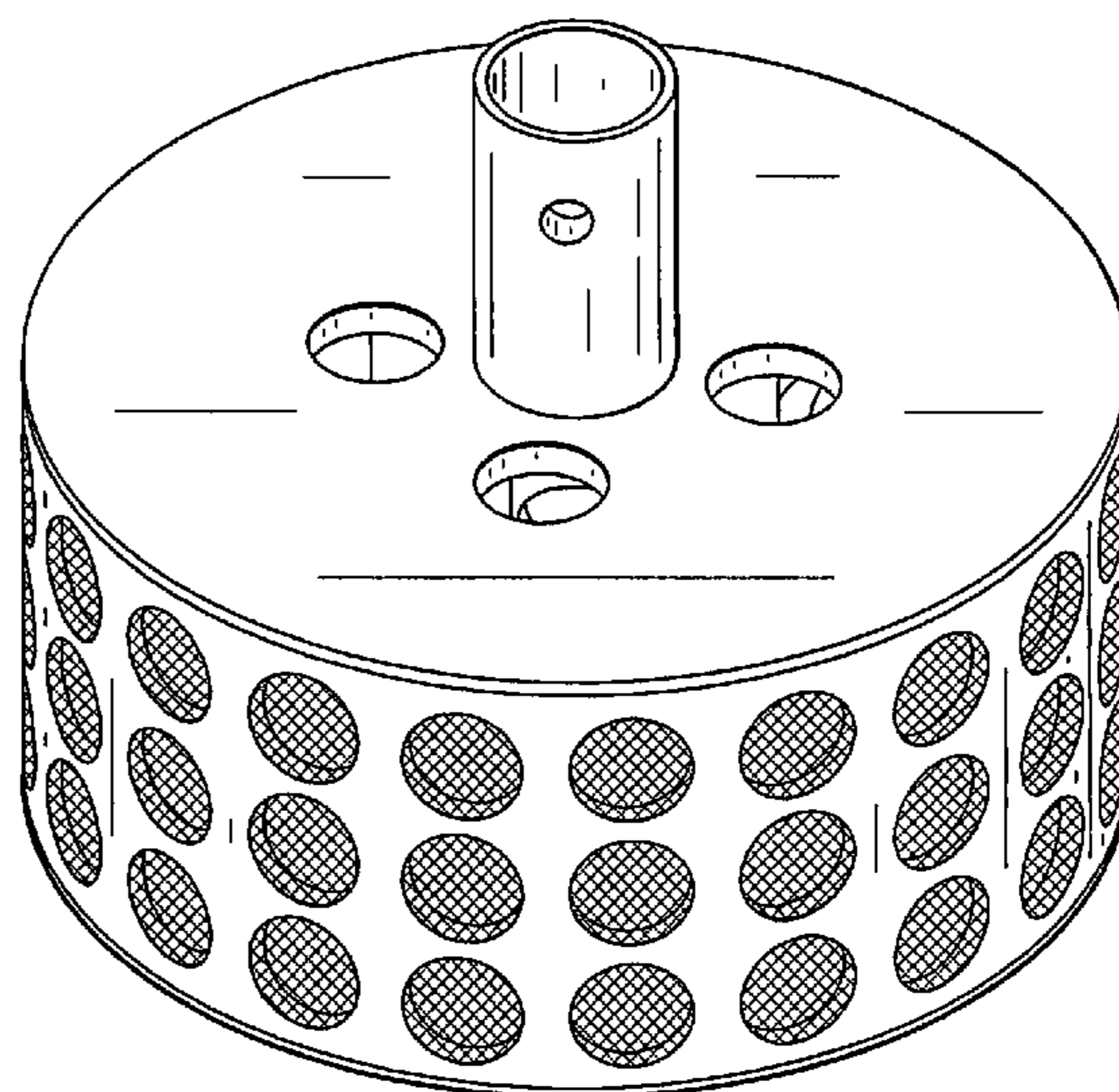
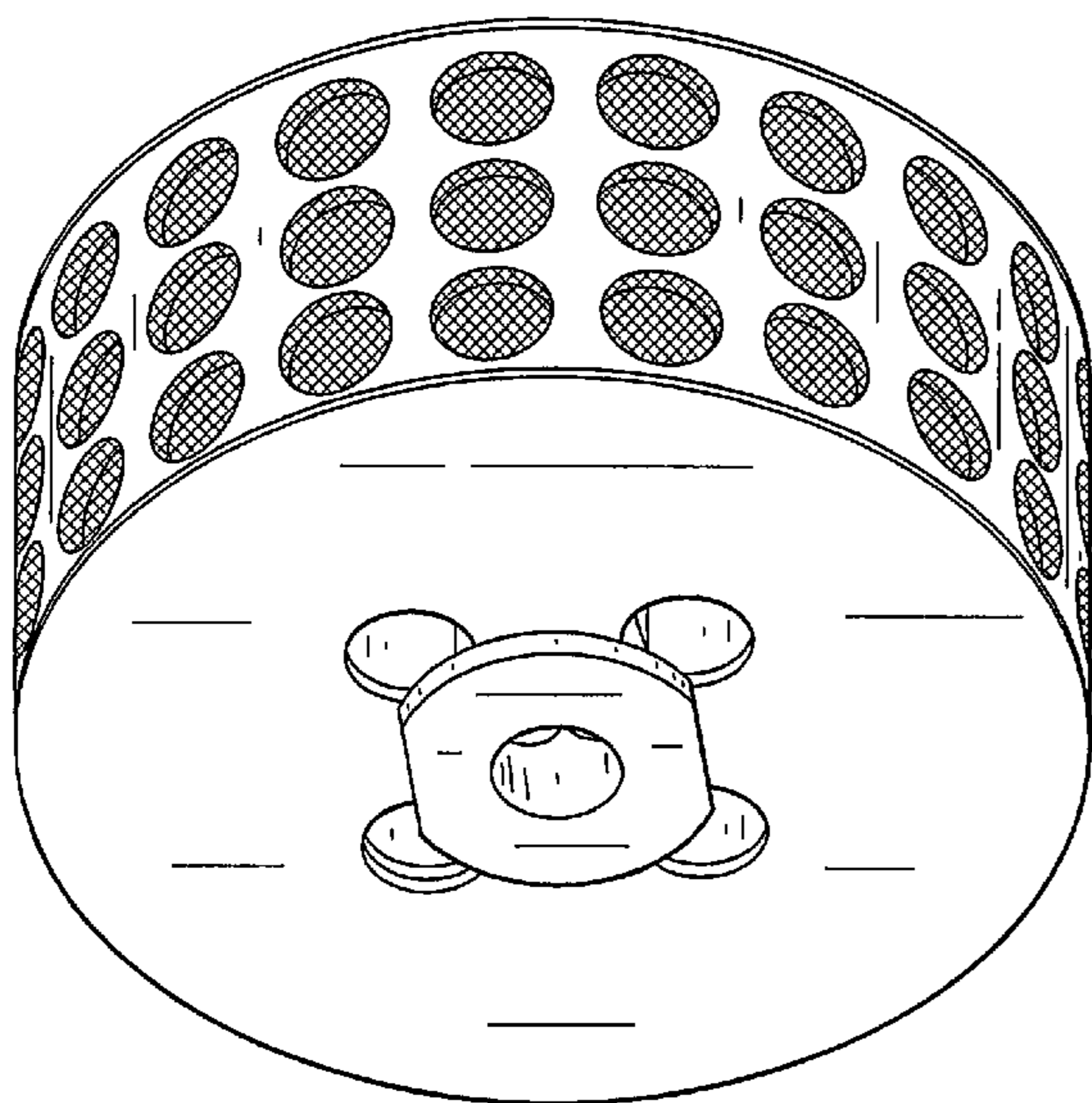


FIG. 1

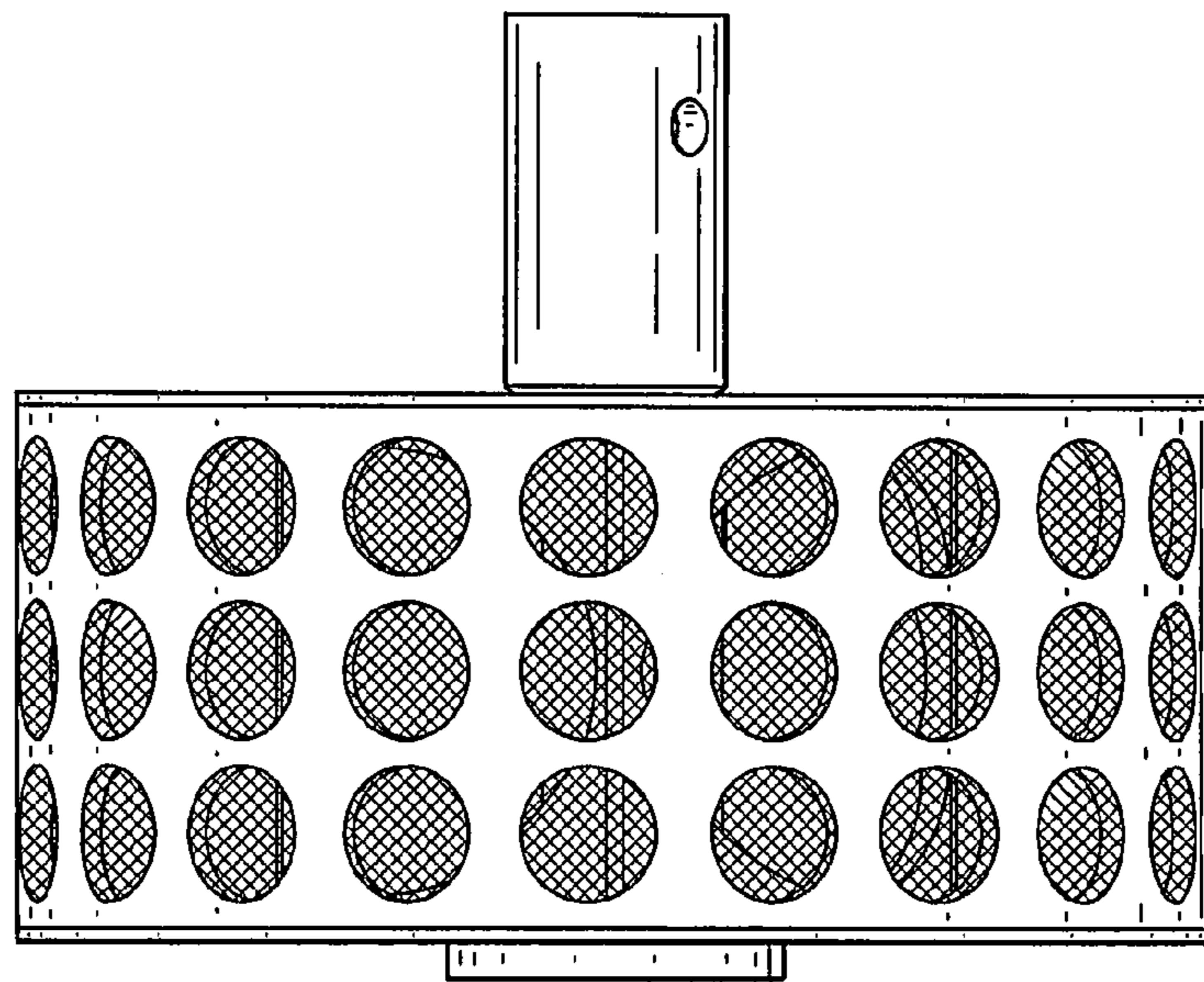


FIG. 2

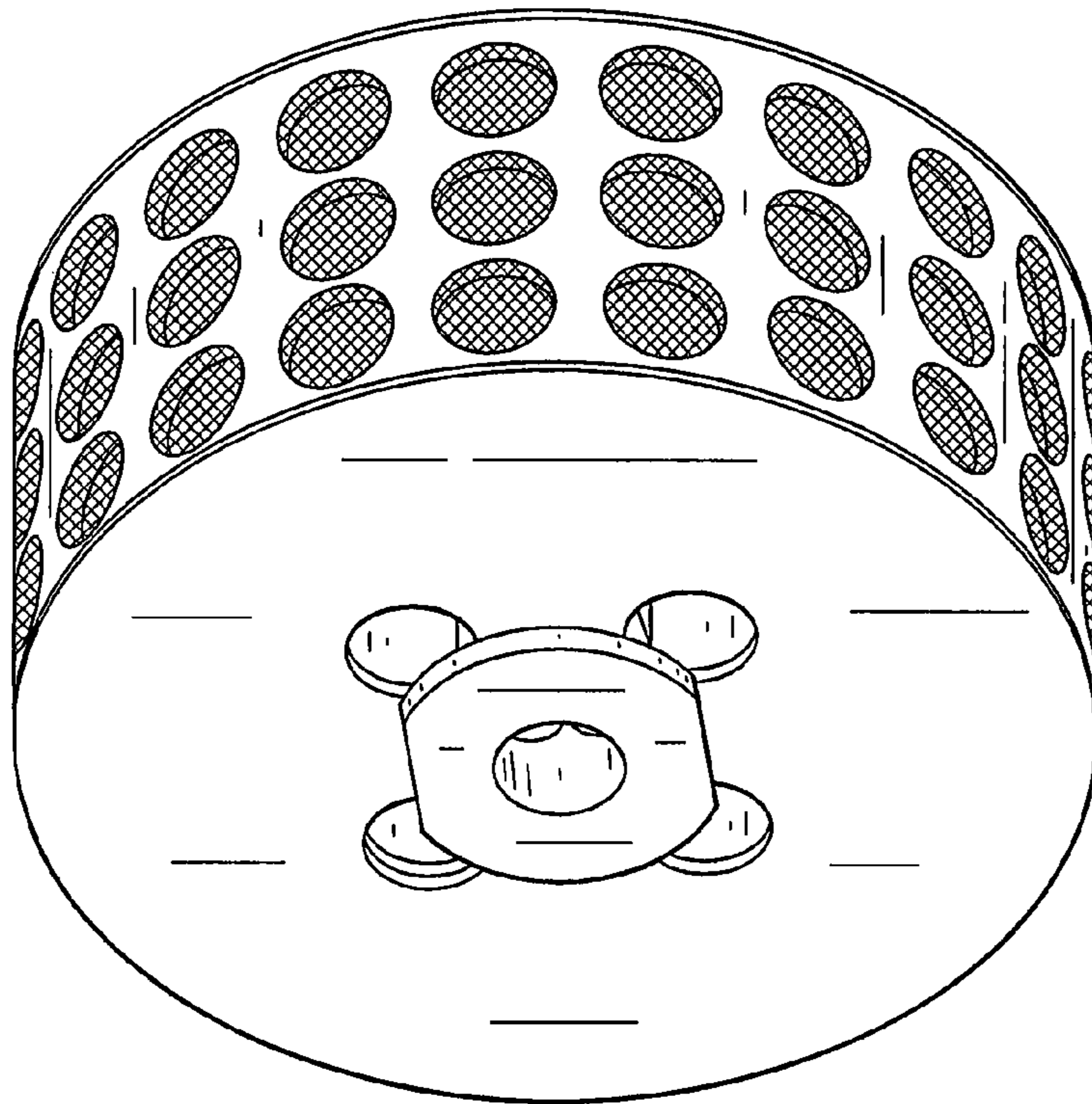


FIG. 3

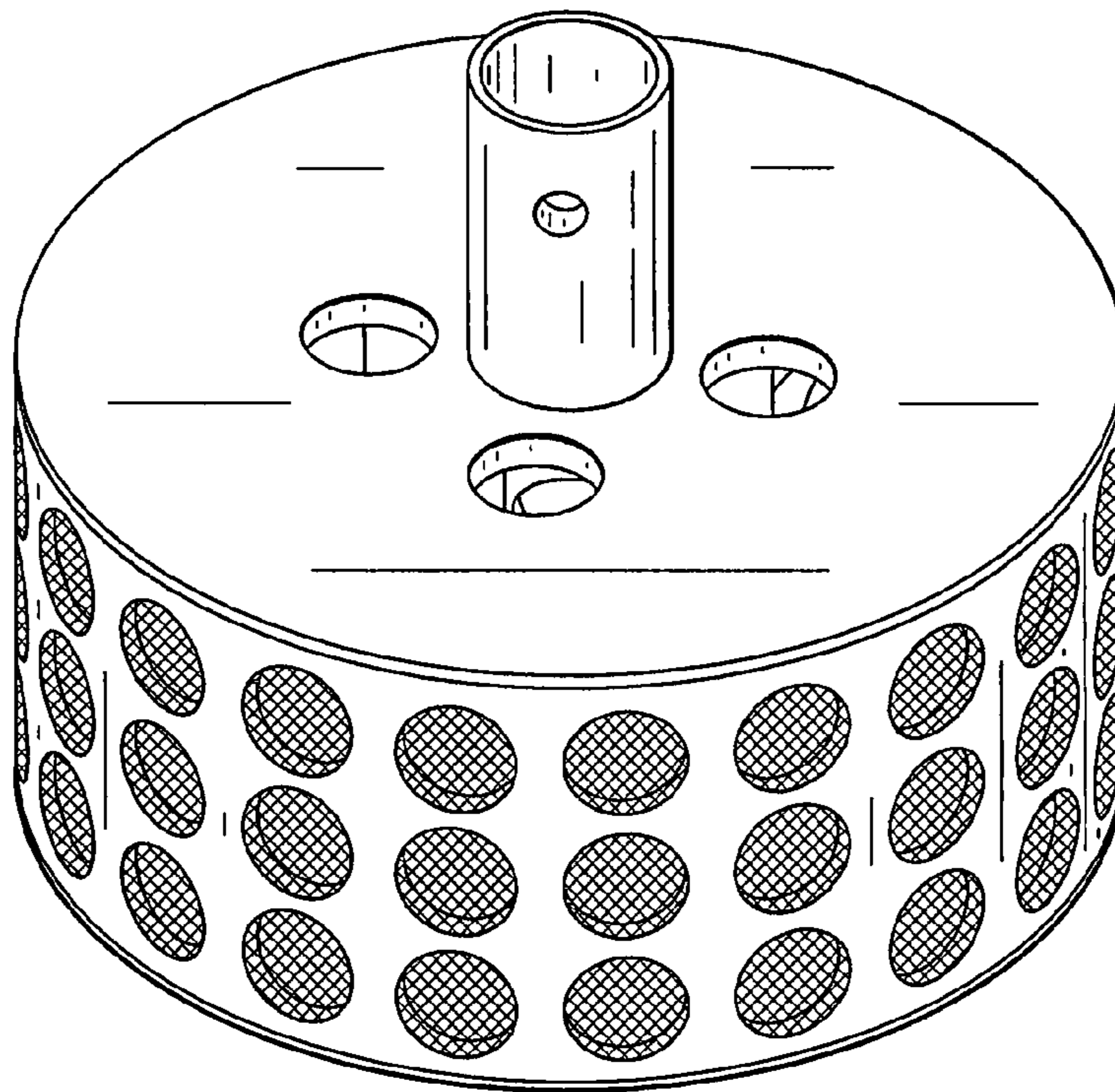


FIG. 4

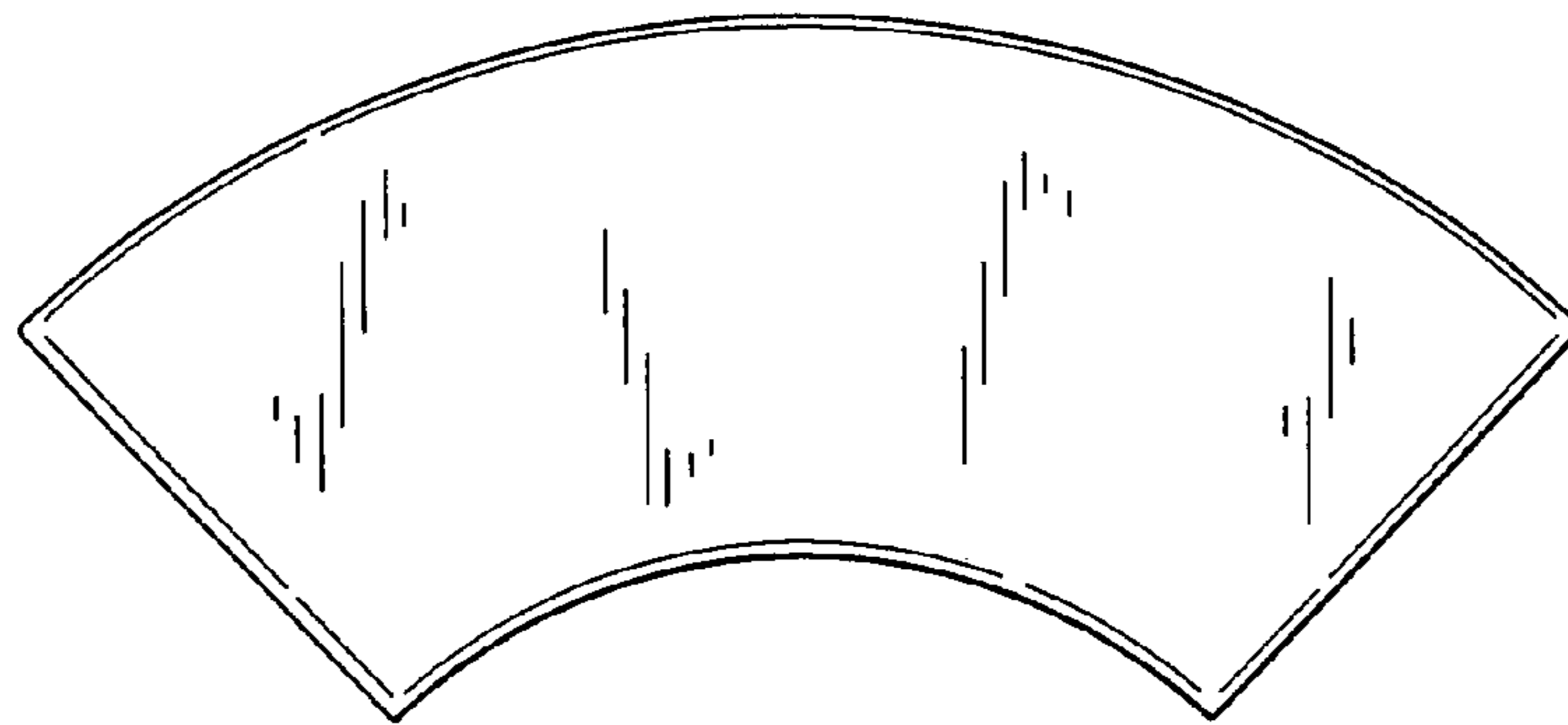


FIG. 5

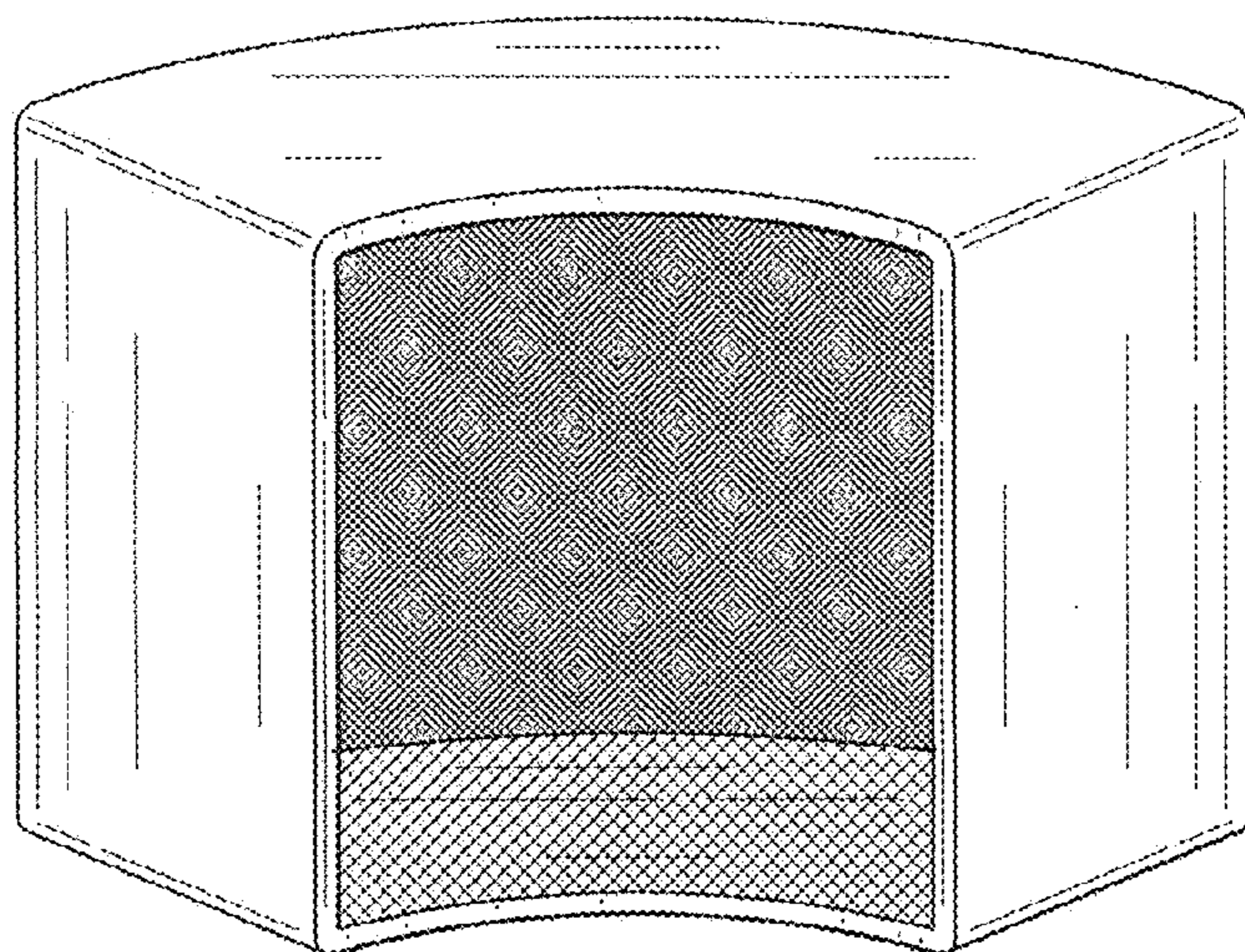


FIG. 6

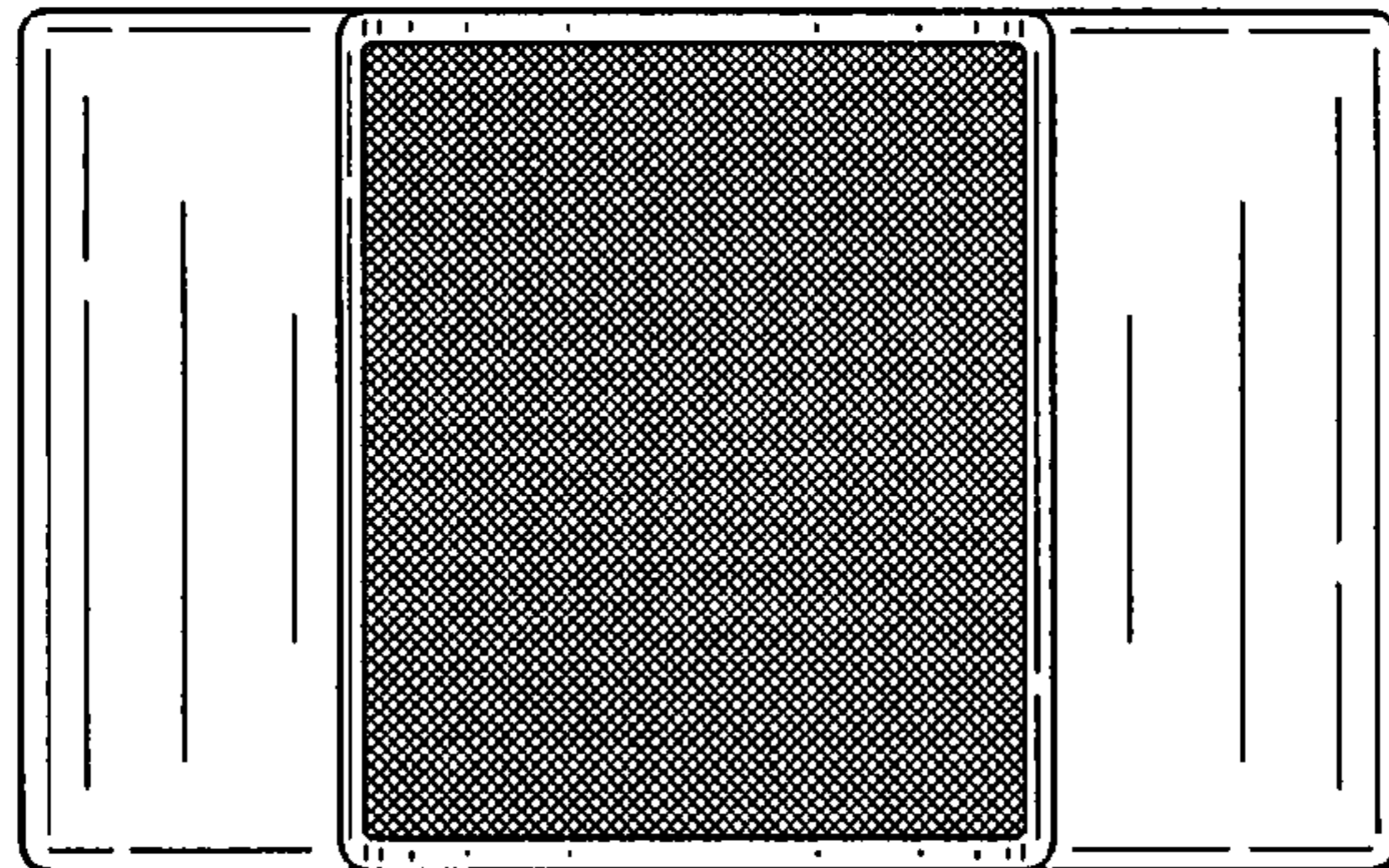


FIG. 7

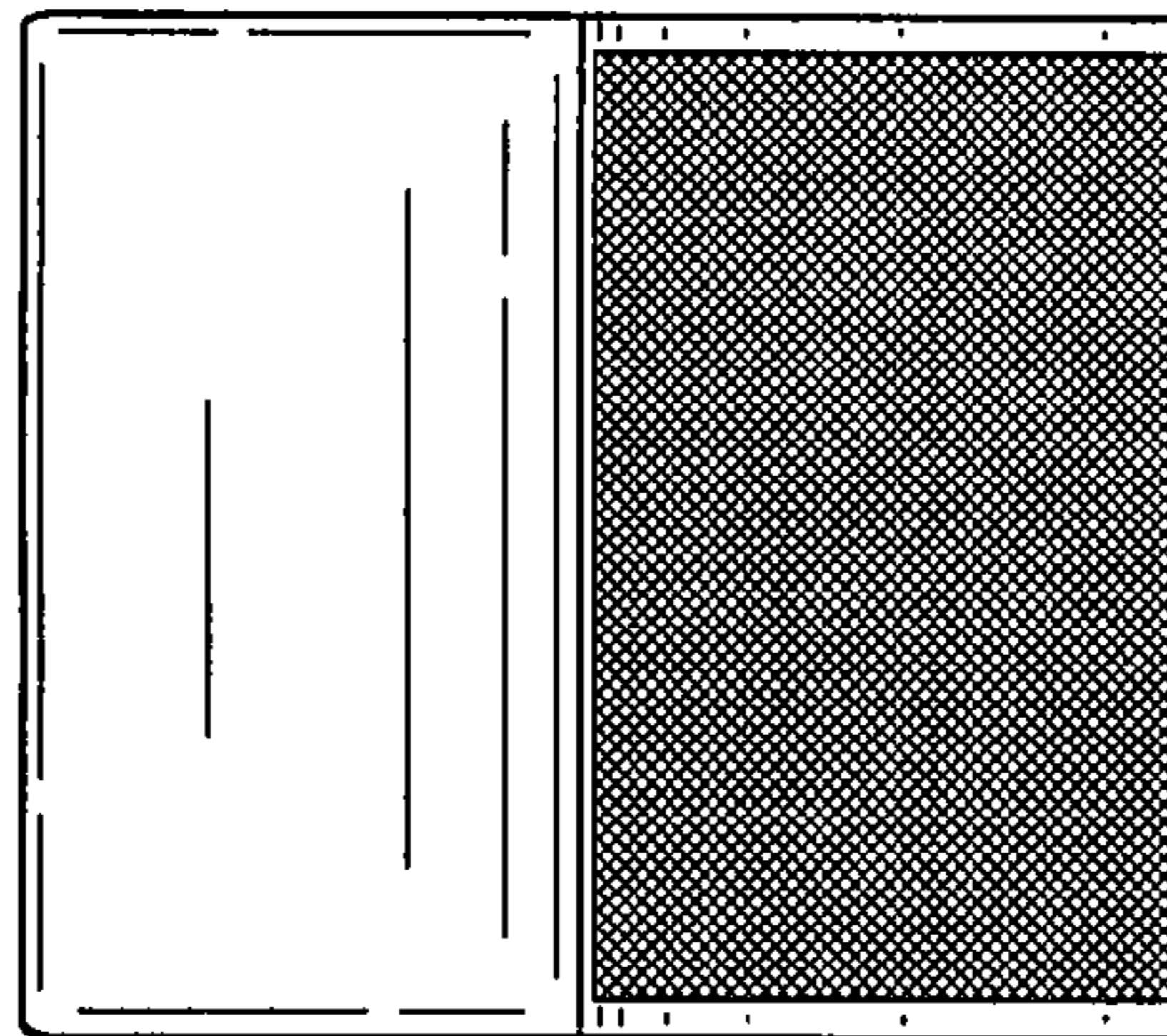


FIG. 8

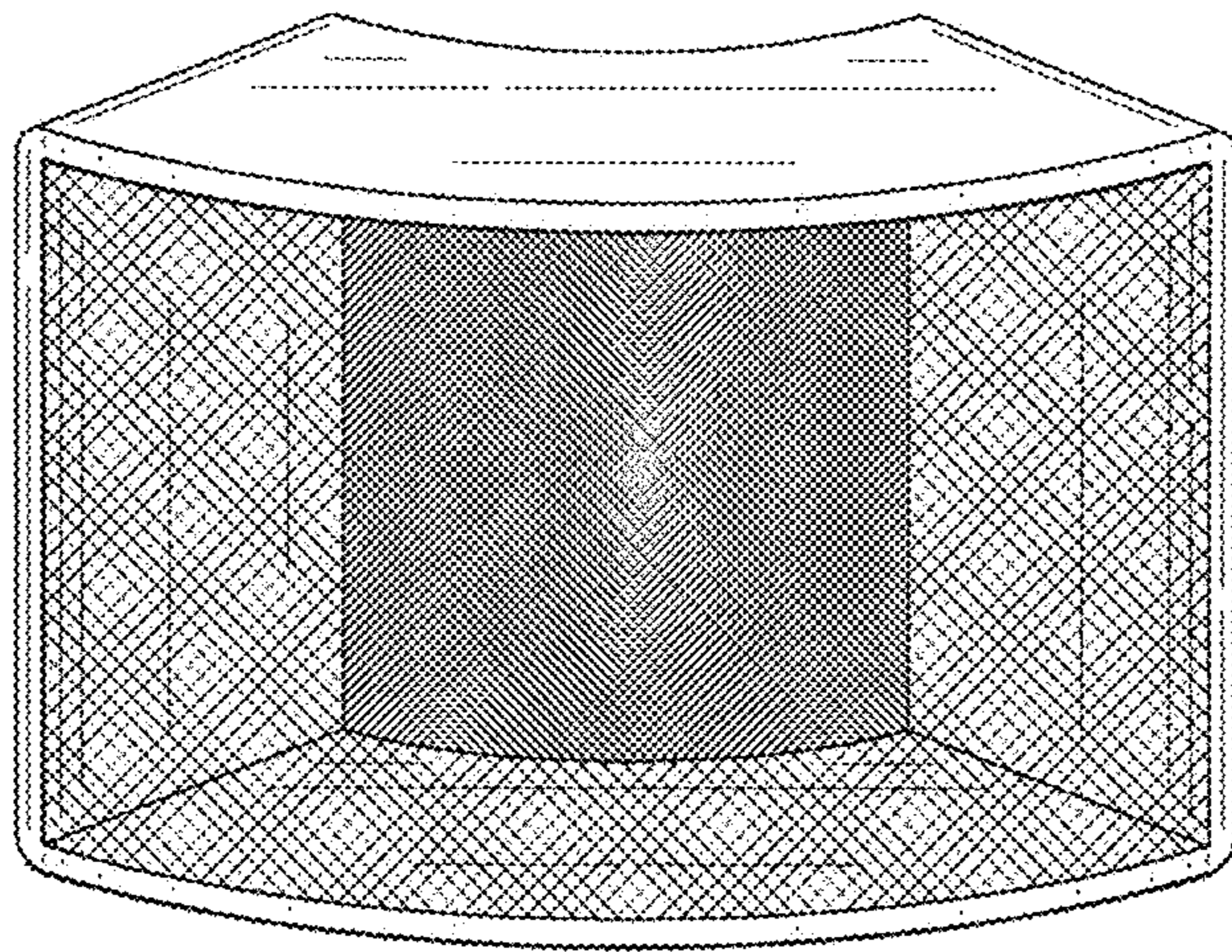


FIG. 9

