



US00D711270S

(12) **United States Design Patent**
McLean et al.

(10) **Patent No.:** **US D711,270 S**

(45) **Date of Patent:** **** *Aug. 19, 2014**

(54) **HOUSING UNIT FOR AN ELECTRONIC METER**

364/569, 577, 481; 340/538, 539, 657,
340/825.16; 702/60-62, 85

See application file for complete search history.

(71) Applicant: **Hendon Semiconductors Pty Ltd,**
Hendon (AU)

(56) **References Cited**

(72) Inventors: **Daniel McLean,** Hendon (AU); **Barry**
Magazinovic, Hendon (AU)

U.S. PATENT DOCUMENTS

(*) Notice: This patent is subject to a terminal disclaimer.

4,788,494	A *	11/1988	Faulkner	324/142
D430,499	S *	9/2000	Sakakibara et al.	D10/100
6,429,642	B1 *	8/2002	Rodilla Sala	324/142
7,043,380	B2 *	5/2006	Rodenberg et al.	702/62
7,191,076	B2 *	3/2007	Huber et al.	702/62
7,275,000	B2 *	9/2007	Howell et al.	702/62
D633,403	S *	3/2011	Appoyer	D10/100
D642,083	S *	7/2011	Blanc et al.	D10/100
8,207,228	B2 *	6/2012	Mayo et al.	514/569

(**) Term: **14 Years**

* cited by examiner

(21) Appl. No.: **29/438,562**

Primary Examiner — Antoine D Davis

(22) Filed: **Nov. 30, 2012**

(74) *Attorney, Agent, or Firm* — Renner Kenner Greive
Bobak Taylor & Weber

(30) **Foreign Application Priority Data**

Jun. 6, 2012 (AU) 12723/2012

(57) **CLAIM**

(51) **LOC (10) Cl.** **10-04**

The ornamental design for a housing unit for an electronic meter, as shown and described.

(52) **U.S. Cl.**

USPC **D10/99; D10/100**

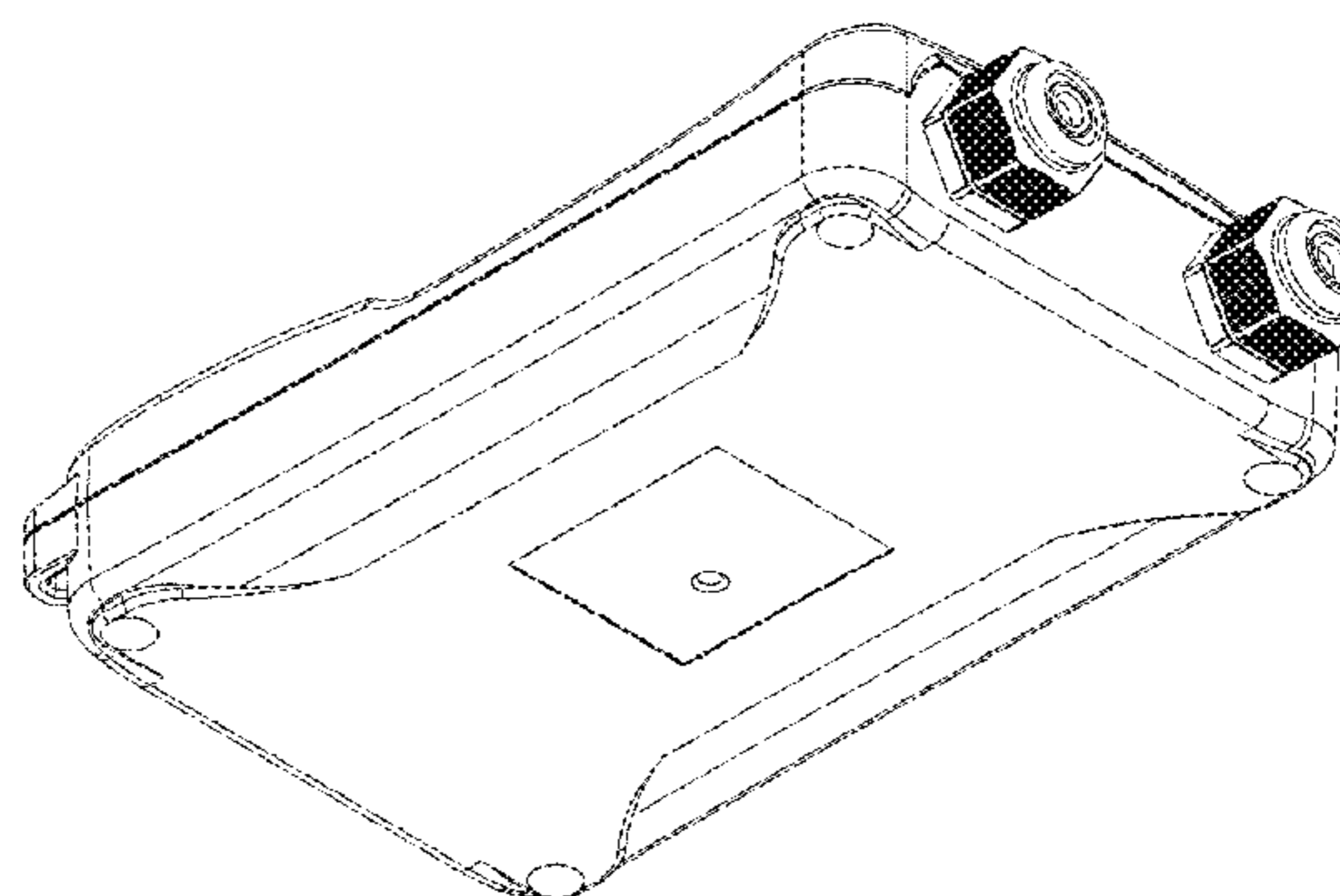
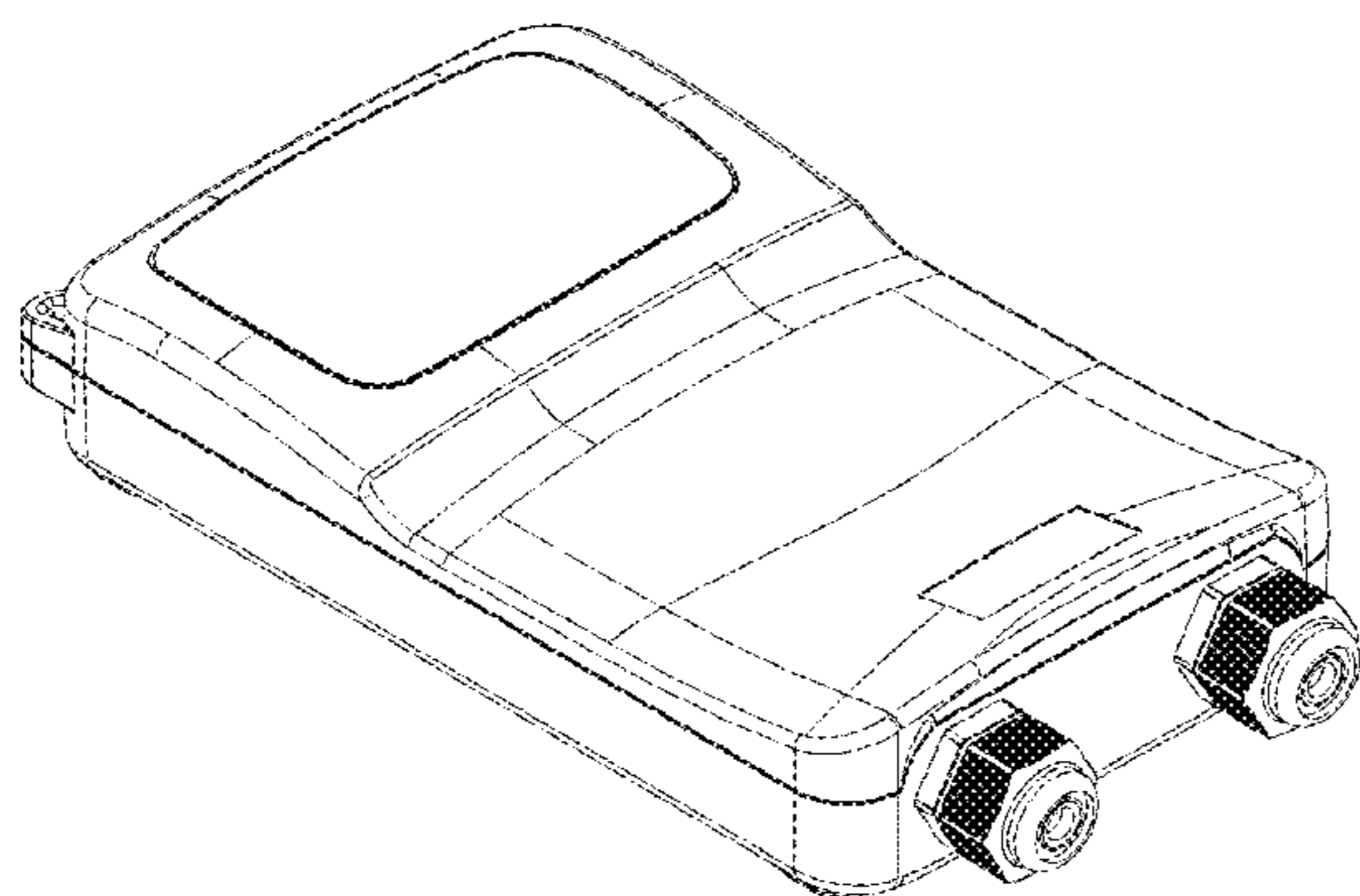
DESCRIPTION

(58) **Field of Classification Search**

CPC G01D 4/002-4/006; G01R 21/133;
G01R 22/00; G01R 11/00; G01R 11/04;
G06Q 50/06; H05B 6/666; Y02B 90/243;
Y02B 90/246; Y02B 70/3266; Y02B 90/241;
Y04S 20/40; Y04S 20/42; Y04S 20/32;
Y04S 20/242; Y04S 20/46
USPC D10/46, 99-100; 324/142, 117, 74,
324/127, 107, 113 R; 364/483, 492, 493,

FIG. 1 is a front view of the housing unit;
FIG. 2 is a front perspective view thereof;
FIG. 3 is a top view thereof;
FIG. 4 is a bottom view thereof;
FIG. 5 is a left-side view thereof;
FIG. 6 is a right-side view thereof;
FIG. 7 is a rear view thereof; and,
FIG. 8 is rear perspective view thereof.

1 Claim, 5 Drawing Sheets



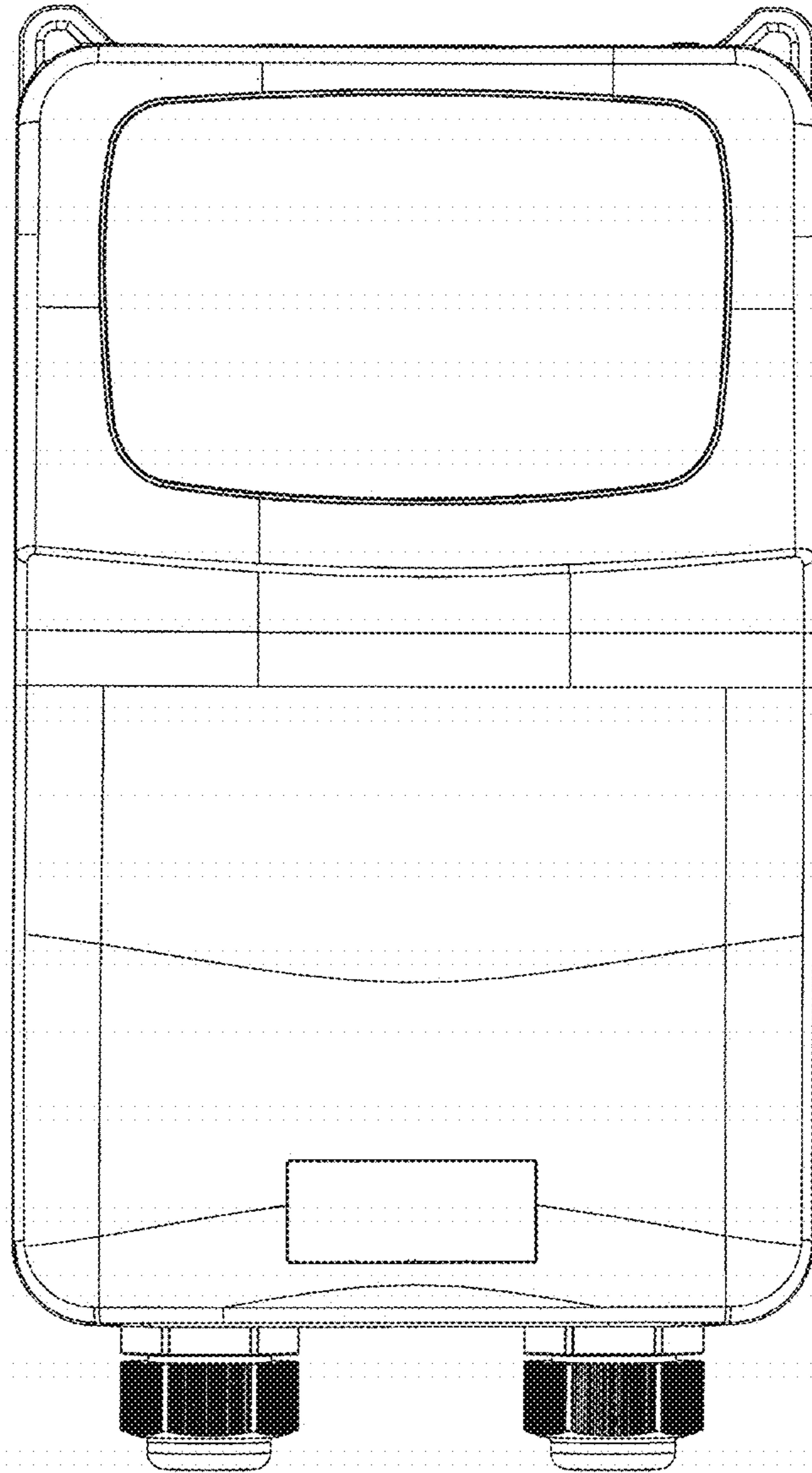


Fig. 1

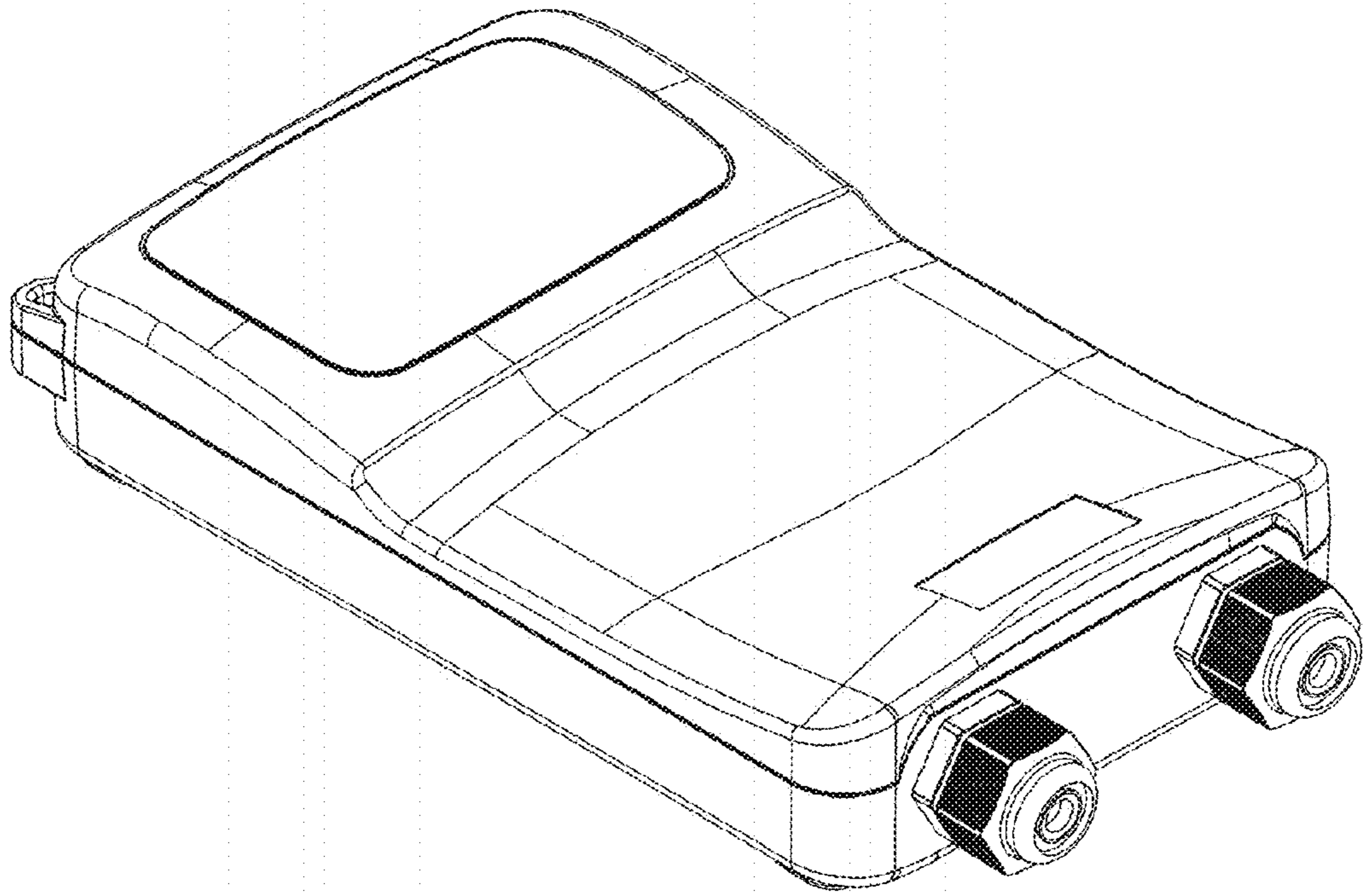


Fig. 2

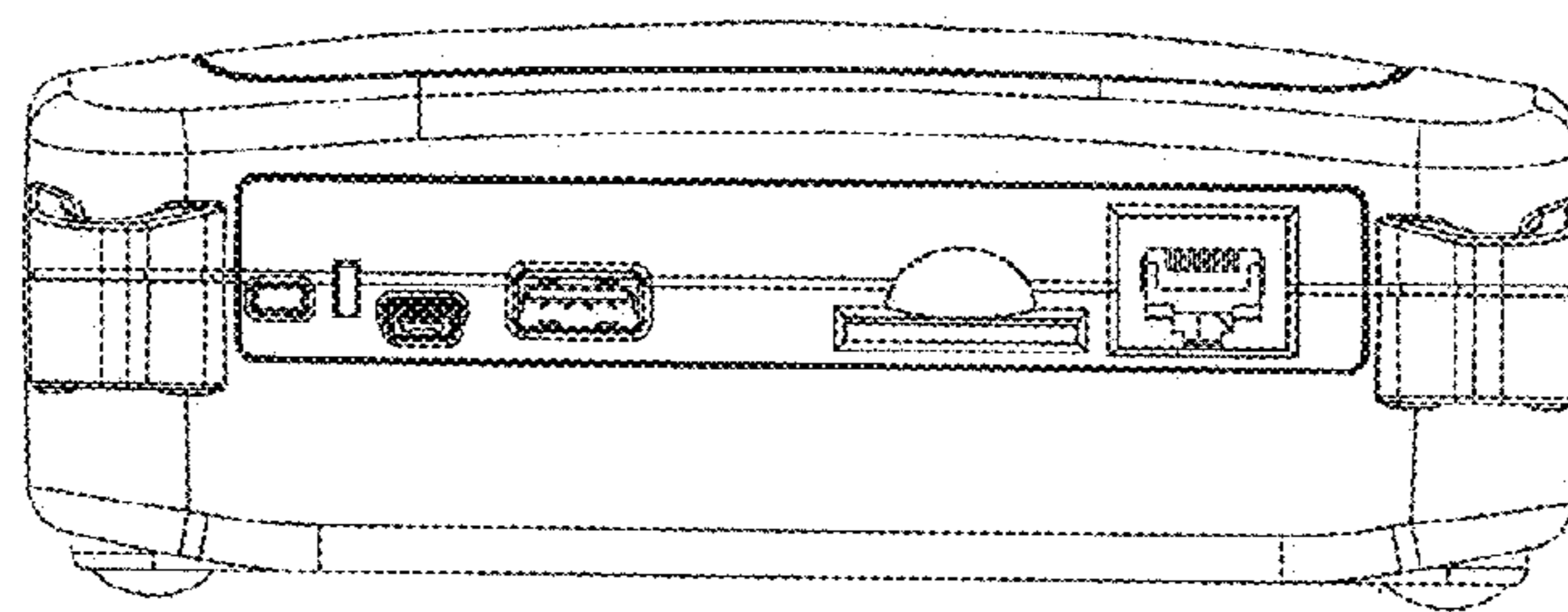


Fig. 3

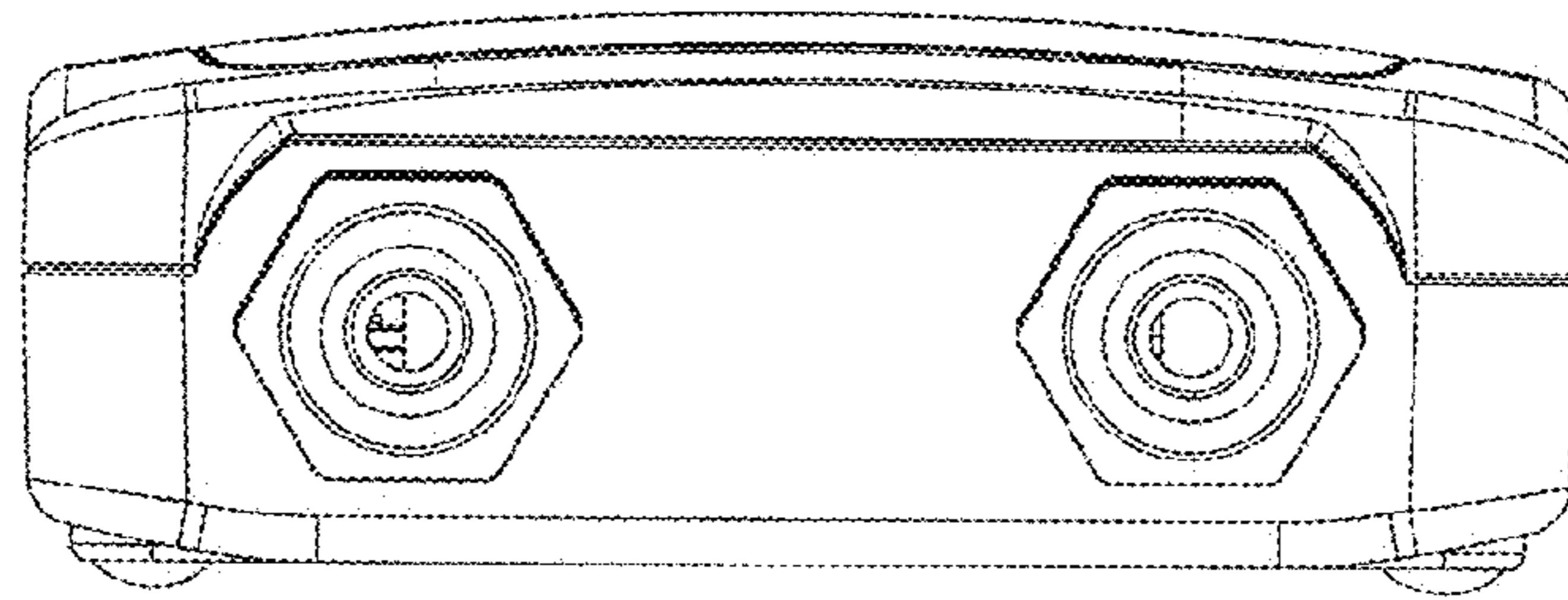


Fig. 4

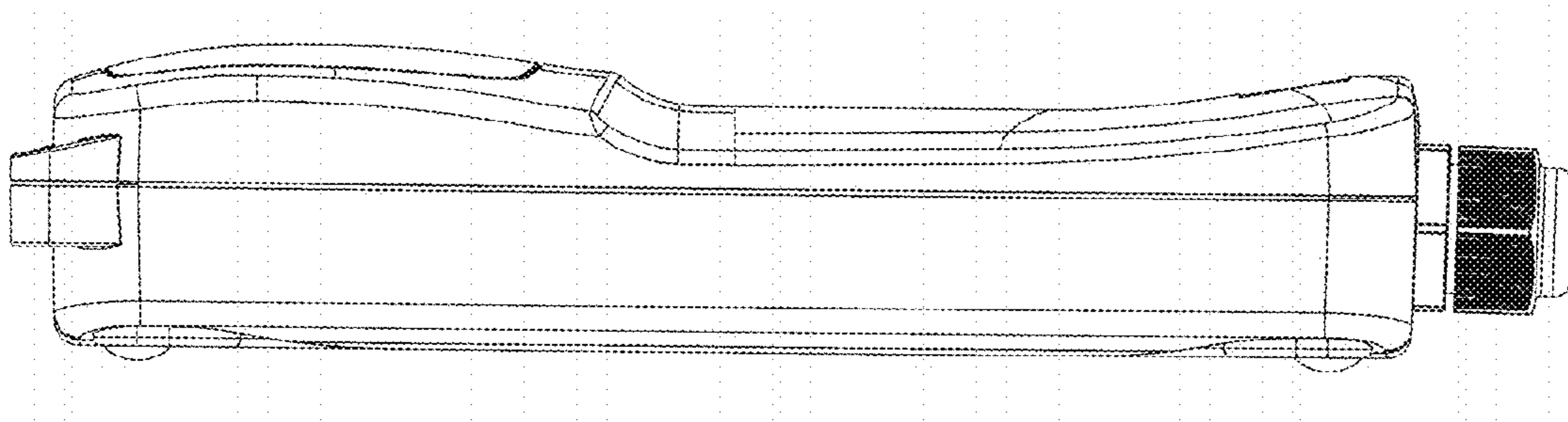


Fig. 5

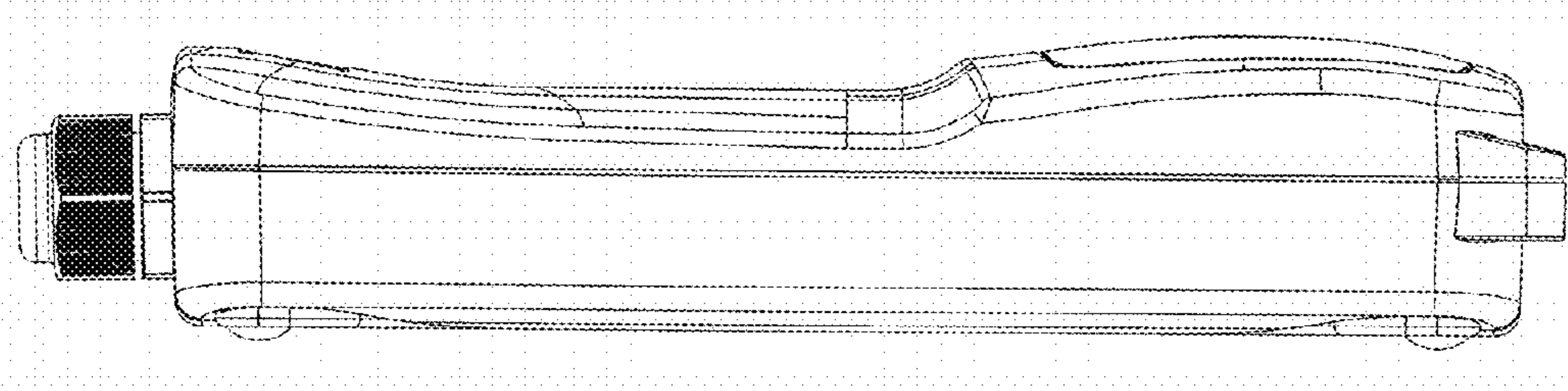


Fig. 6

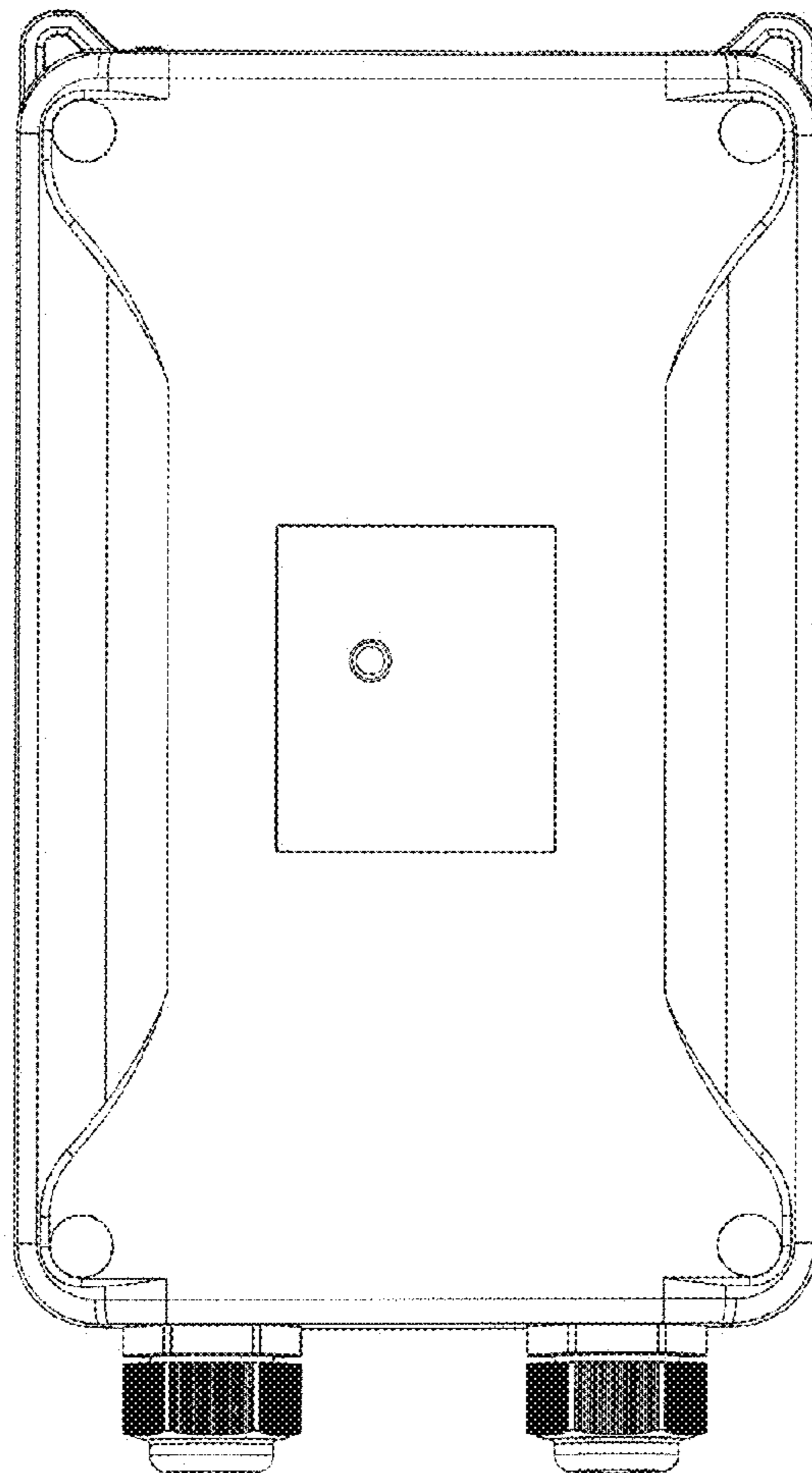


Fig. 7

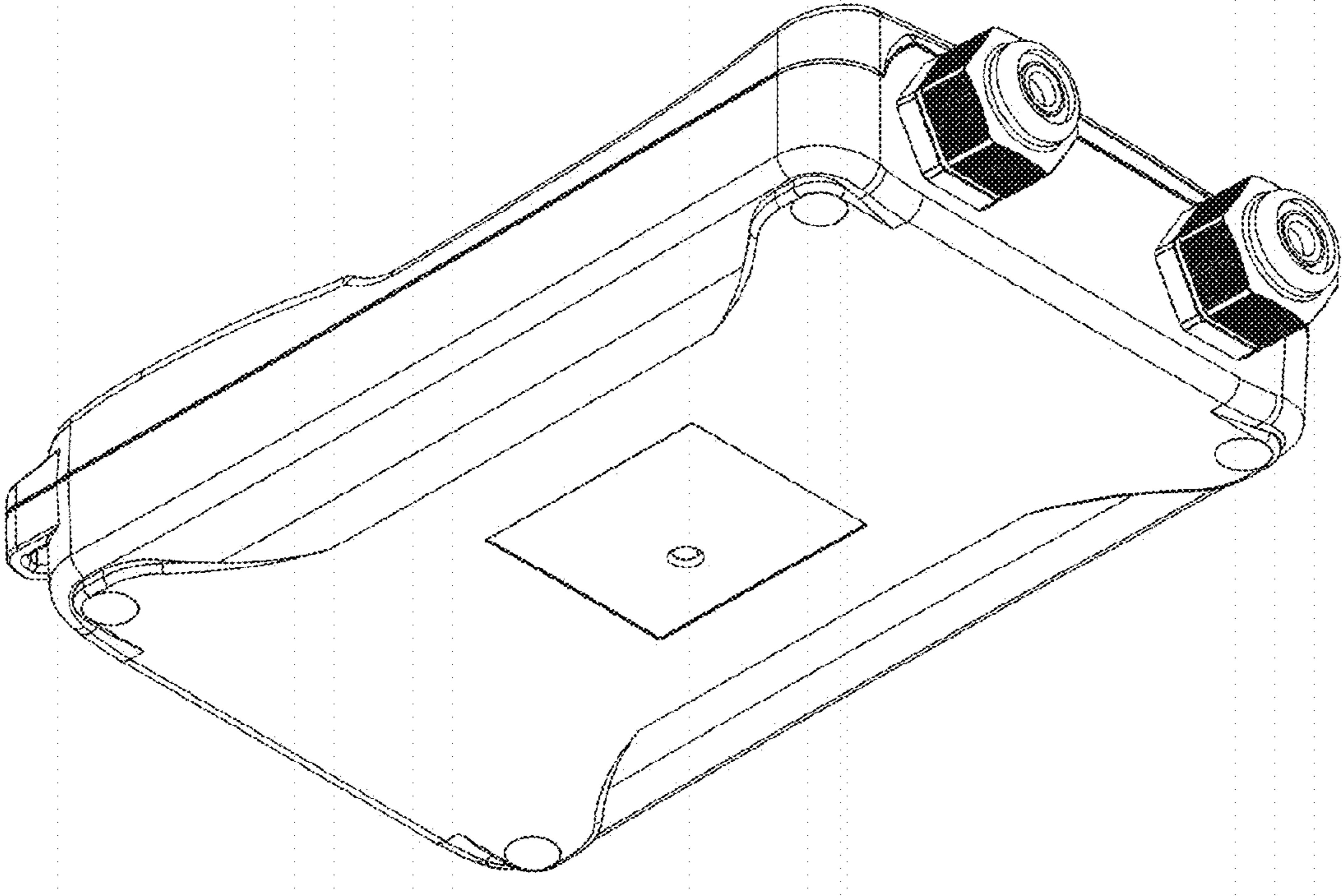


Fig. 8