



US00D711267S

(12) **United States Design Patent**  
**Tsuda et al.**

(10) **Patent No.:** **US D711,267 S**  
(45) **Date of Patent:** **\*\* Aug. 19, 2014**

(54) **CONVERTER FOR FLOWMETER**

(56) **References Cited**

(71) Applicant: **Yokogawa Electric Corporation**,  
Musashino (JP)  
(72) Inventors: **Toshiro Tsuda**, Musashino (JP); **Noriaki Senba**, Musashino (JP)  
(73) Assignee: **Yokogawa Electric Corporation**, Tokyo (JP)

U.S. PATENT DOCUMENTS

6,237,424 B1 \* 5/2001 Salmasi et al. .... 73/861.17  
D601,050 S \* 9/2009 Satoh et al. .... D10/96  
D613,195 S \* 4/2010 Kabaya ..... D10/96  
D613,196 S \* 4/2010 Kabaya ..... D10/96  
D628,106 S \* 11/2010 Kabaya ..... D10/96  
D654,819 S \* 2/2012 Yao et al. .... D10/96  
2006/0070437 A1 \* 4/2006 Diederichs ..... 73/272 R

(\*\*) Term: **14 Years**

*Primary Examiner* — Antoine D Davis

(21) Appl. No.: **29/448,164**

(74) *Attorney, Agent, or Firm* — Sughrue Mion, PLLC

(22) Filed: **Mar. 11, 2013**

(57) **CLAIM**

The ornamental design for a converter for flowmeter, as shown and described.

(30) **Foreign Application Priority Data**

**DESCRIPTION**

Oct. 26, 2012 (JP) ..... 2012-026112

(51) **LOC (10) Cl.** ..... **10-04**

(52) **U.S. Cl.**  
USPC ..... **D10/96**

(58) **Field of Classification Search**  
CPC ..... G01F 15/06; G01F 15/0755; G01F 15/14;  
G01F 1/588; G01F 1/60; G01F 1/74; G01F  
25/0007; G01F 15/061; G01F 15/063; G01F  
1/56; G01F 1/586; G01F 1/8431; G01F 1/849;  
G01F 1/667; G01F 1/8413; G01F 15/024;  
G01F 1/8486; D01F 1/58  
USPC ..... D10/96, 99, 100; 73/700–75,  
73/861–861.41; 116/264, 276

FIG. 1 is a perspective view of front, top and right side of a converter for flowmeter according to our new design;  
FIG. 2 is a front view thereof;  
FIG. 3 is a rear view thereof;  
FIG. 4 is a left side view thereof;  
FIG. 5 is a right side view thereof;  
FIG. 6 is a top view thereof;  
FIG. 7 is a bottom view thereof;  
FIG. 8 is a perspective view showing the usage thereof; and,  
FIG. 9 is a perspective view showing the usage thereof.  
The portions of the article in broken lines are shown for illustrative purposes only and form no part of the claimed design.

See application file for complete search history.

**1 Claim, 9 Drawing Sheets**

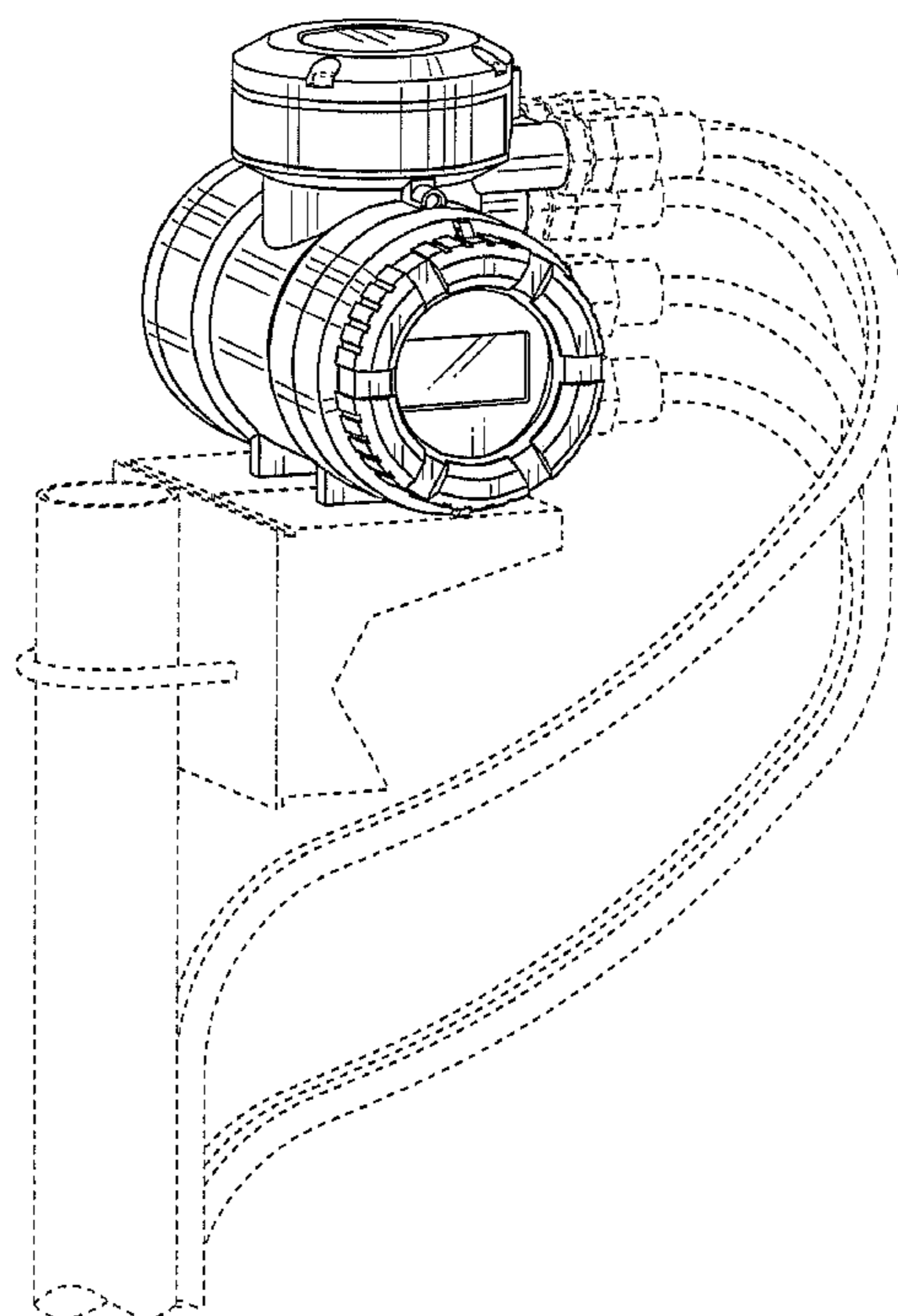


Fig. 1

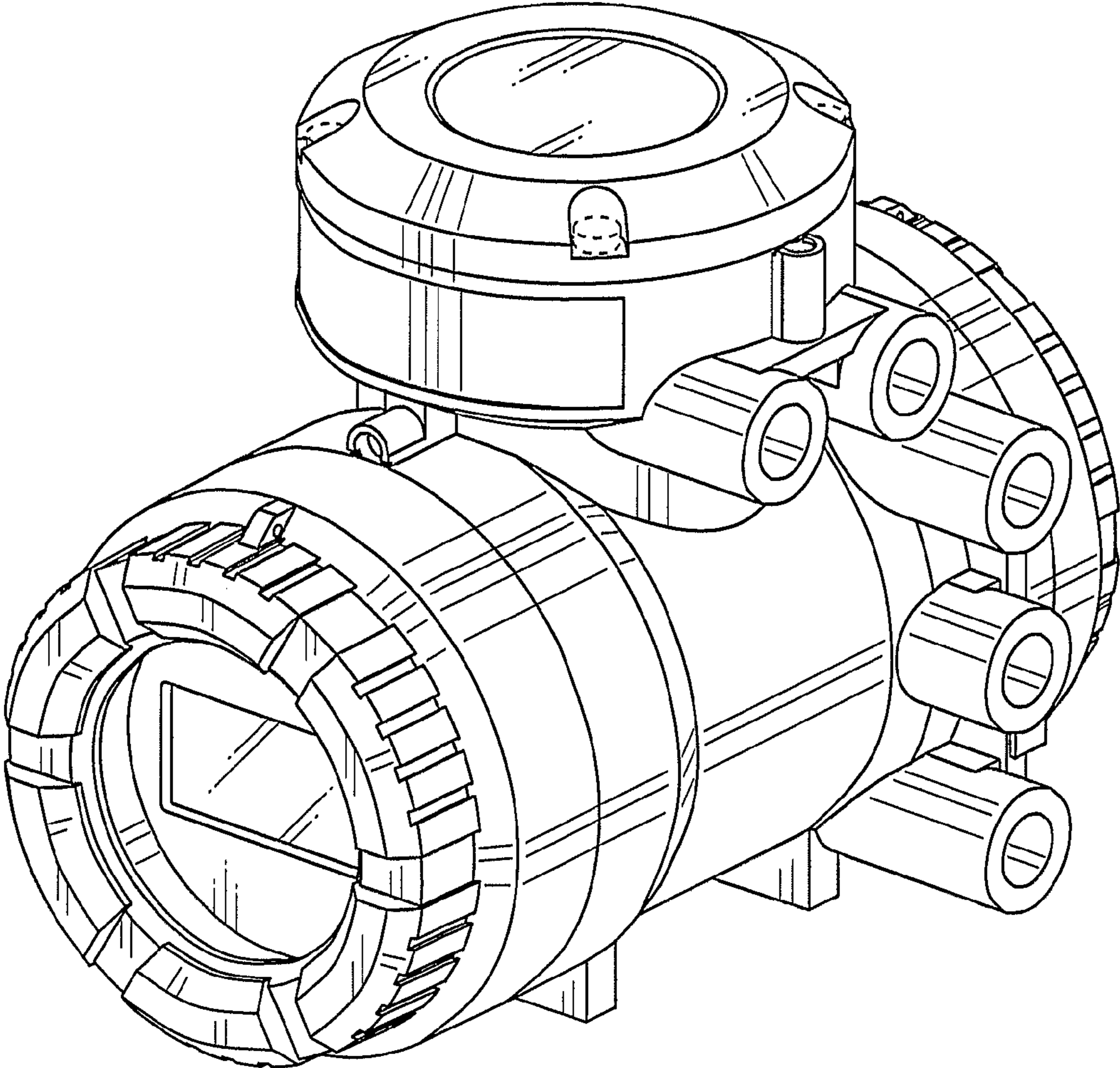


Fig. 2

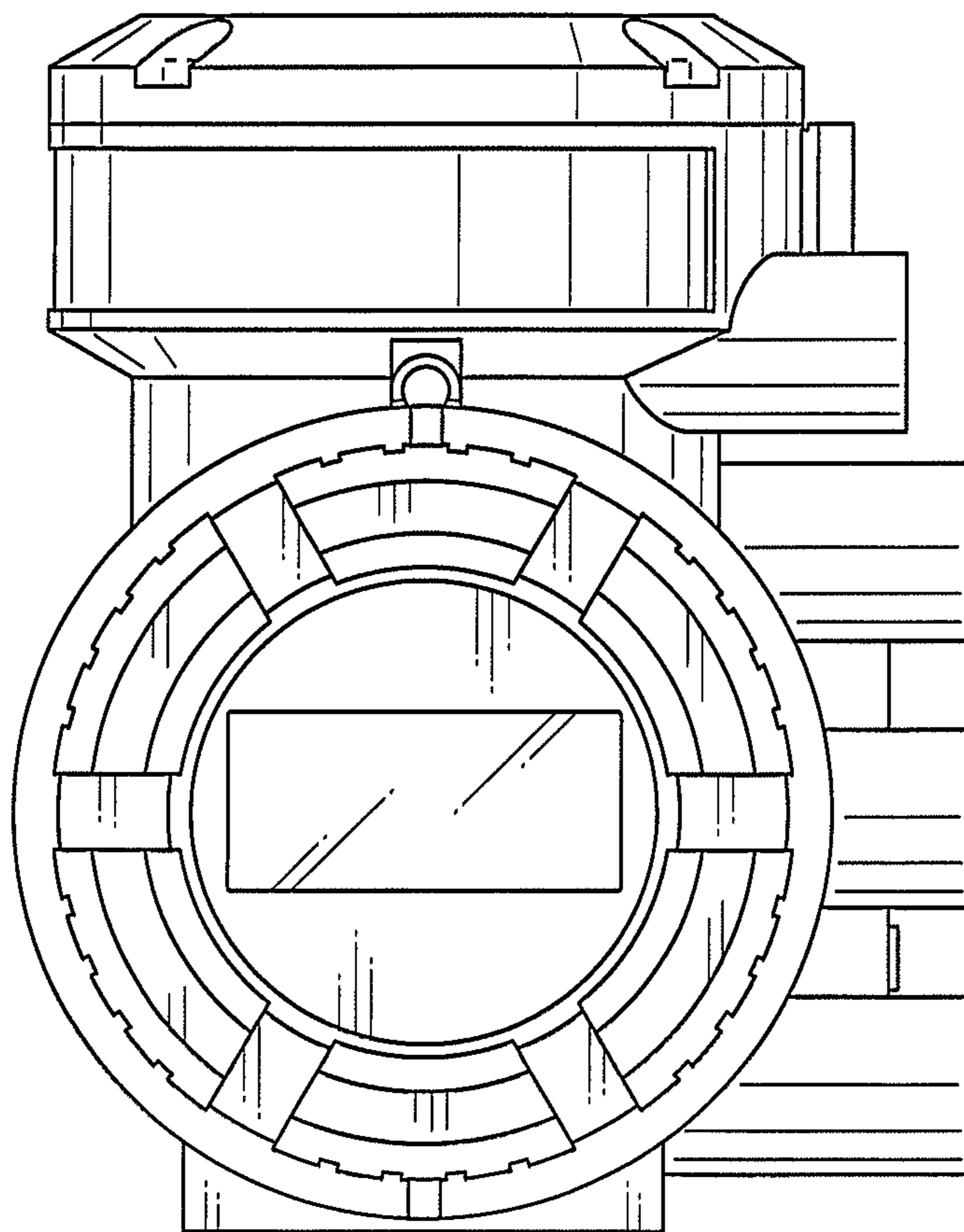


Fig. 3

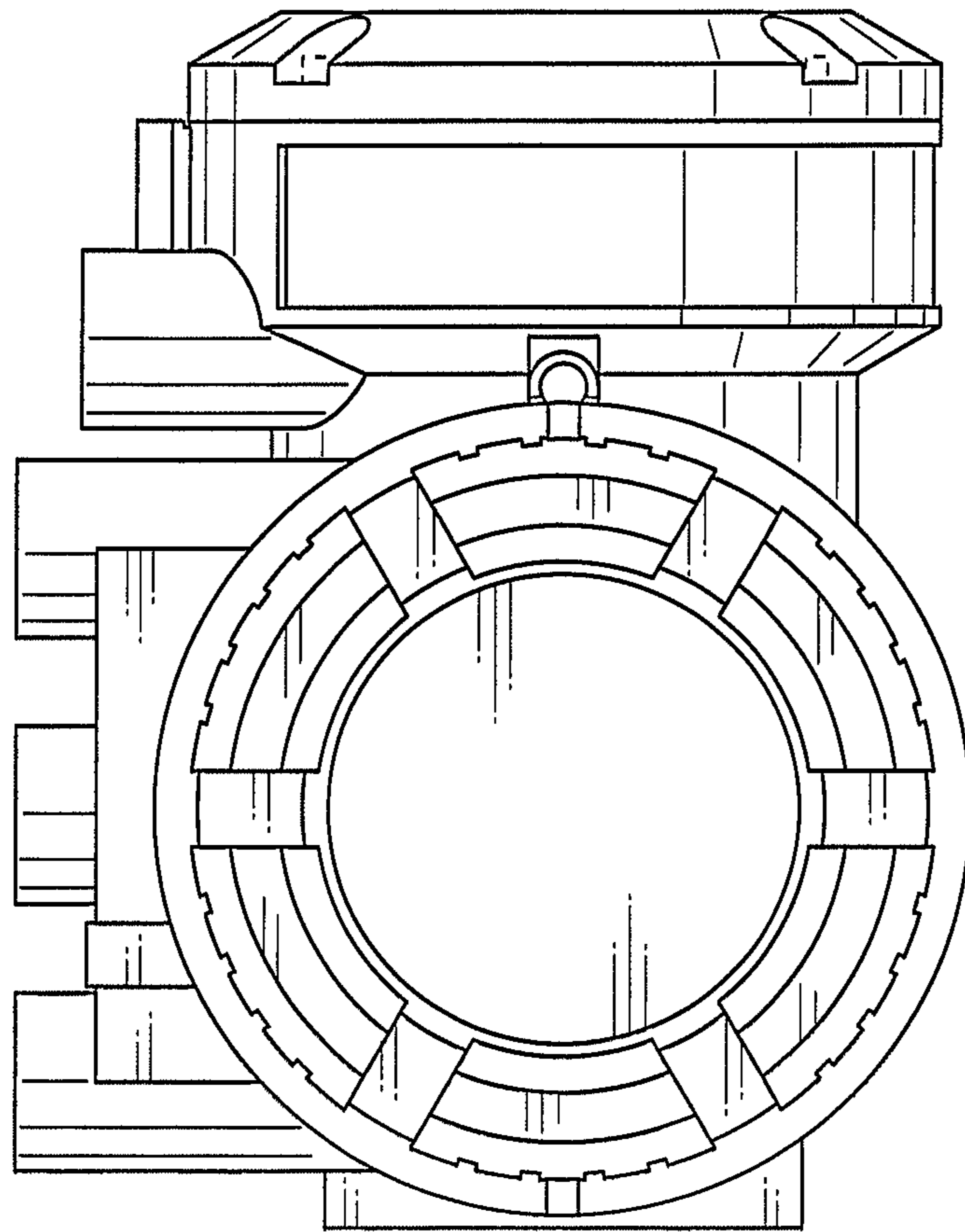


Fig. 4

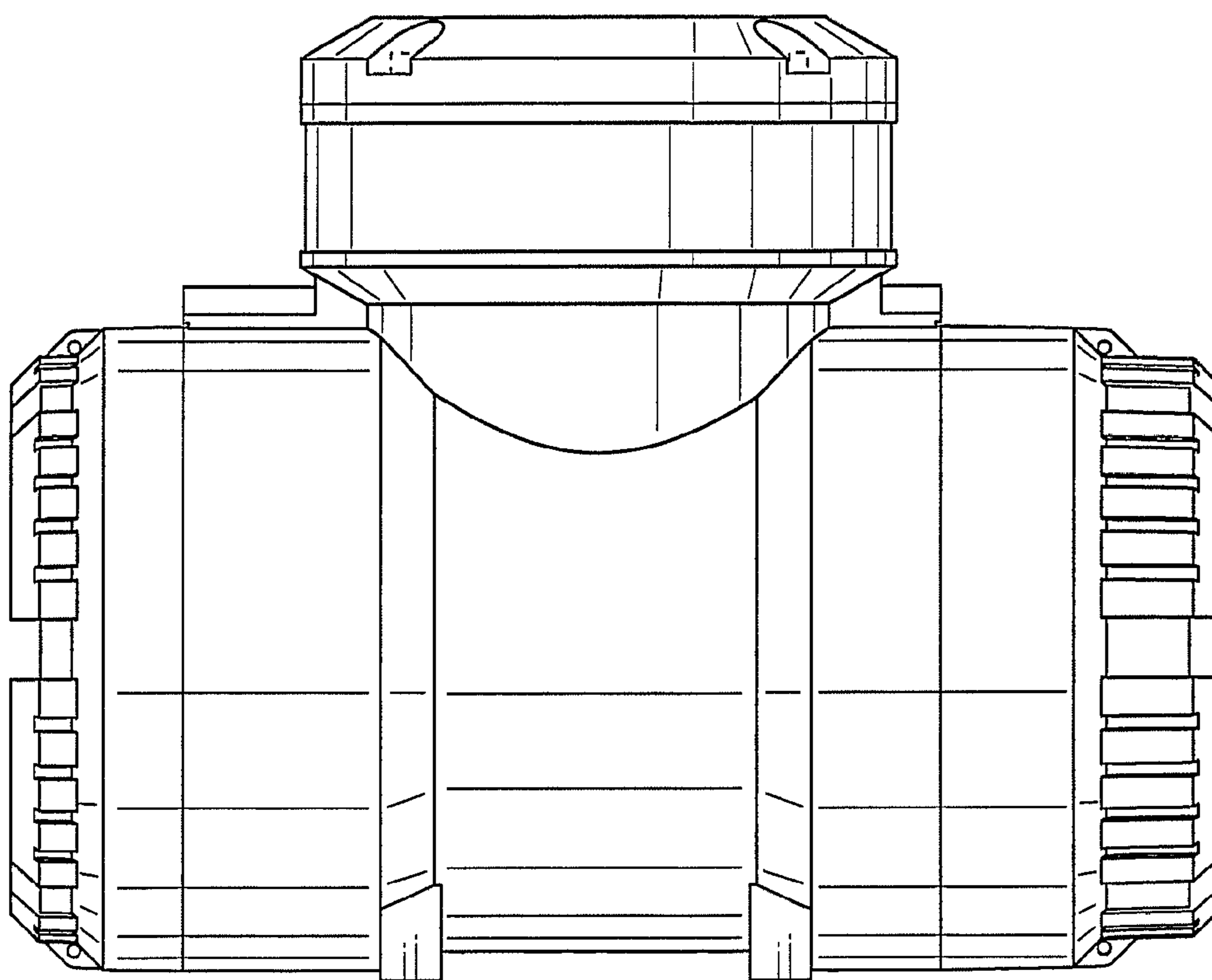


Fig. 5

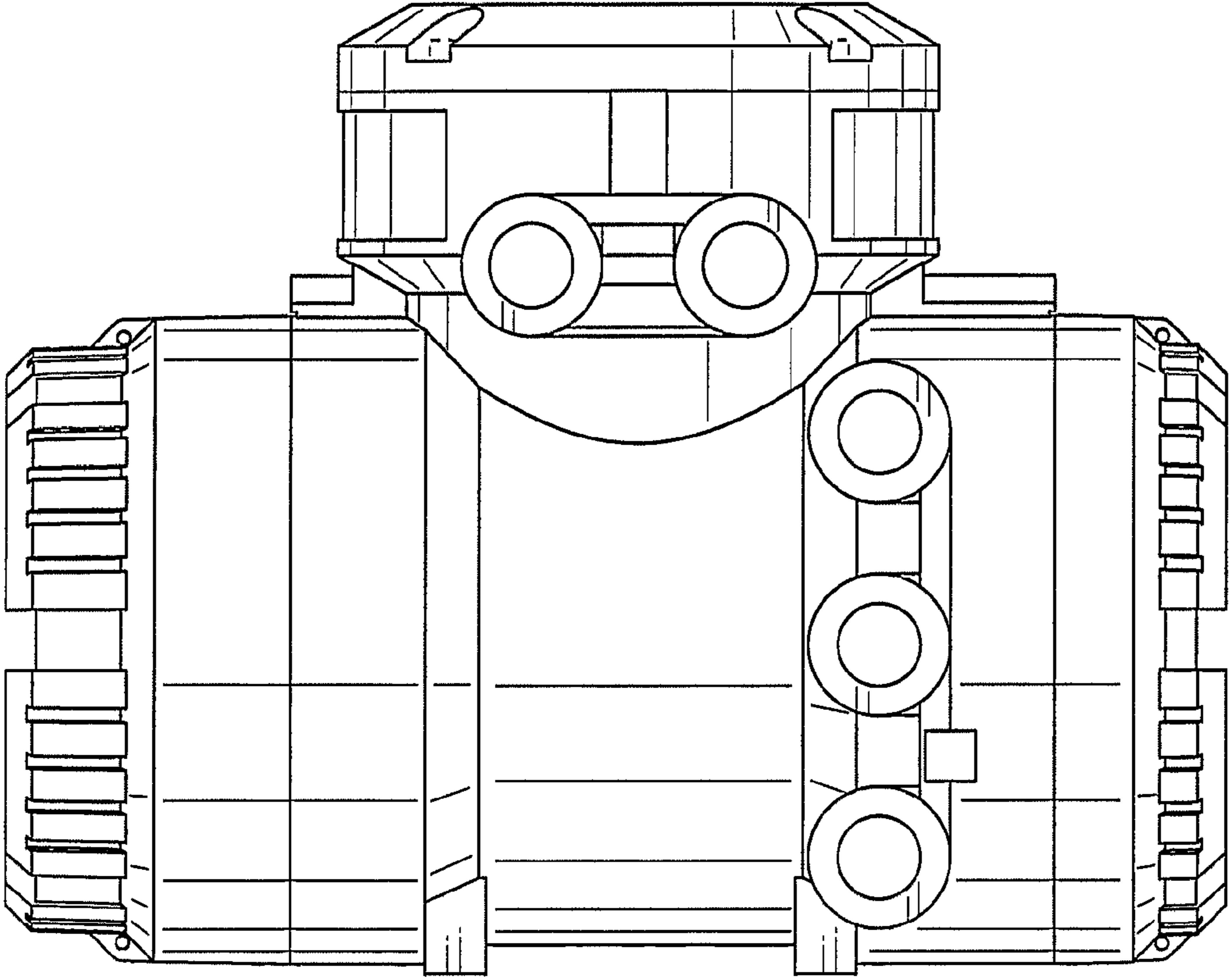


Fig. 6

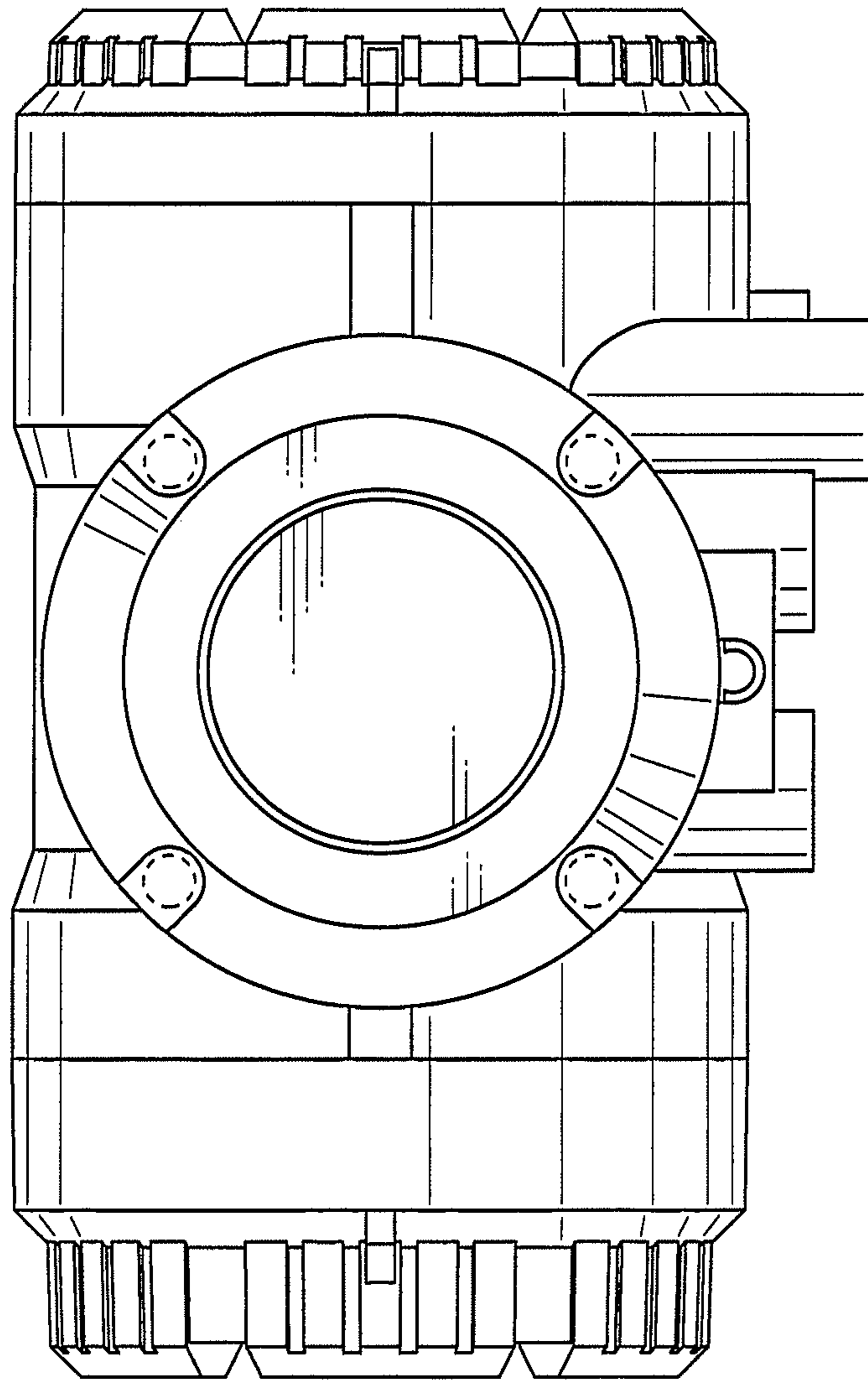


Fig. 7

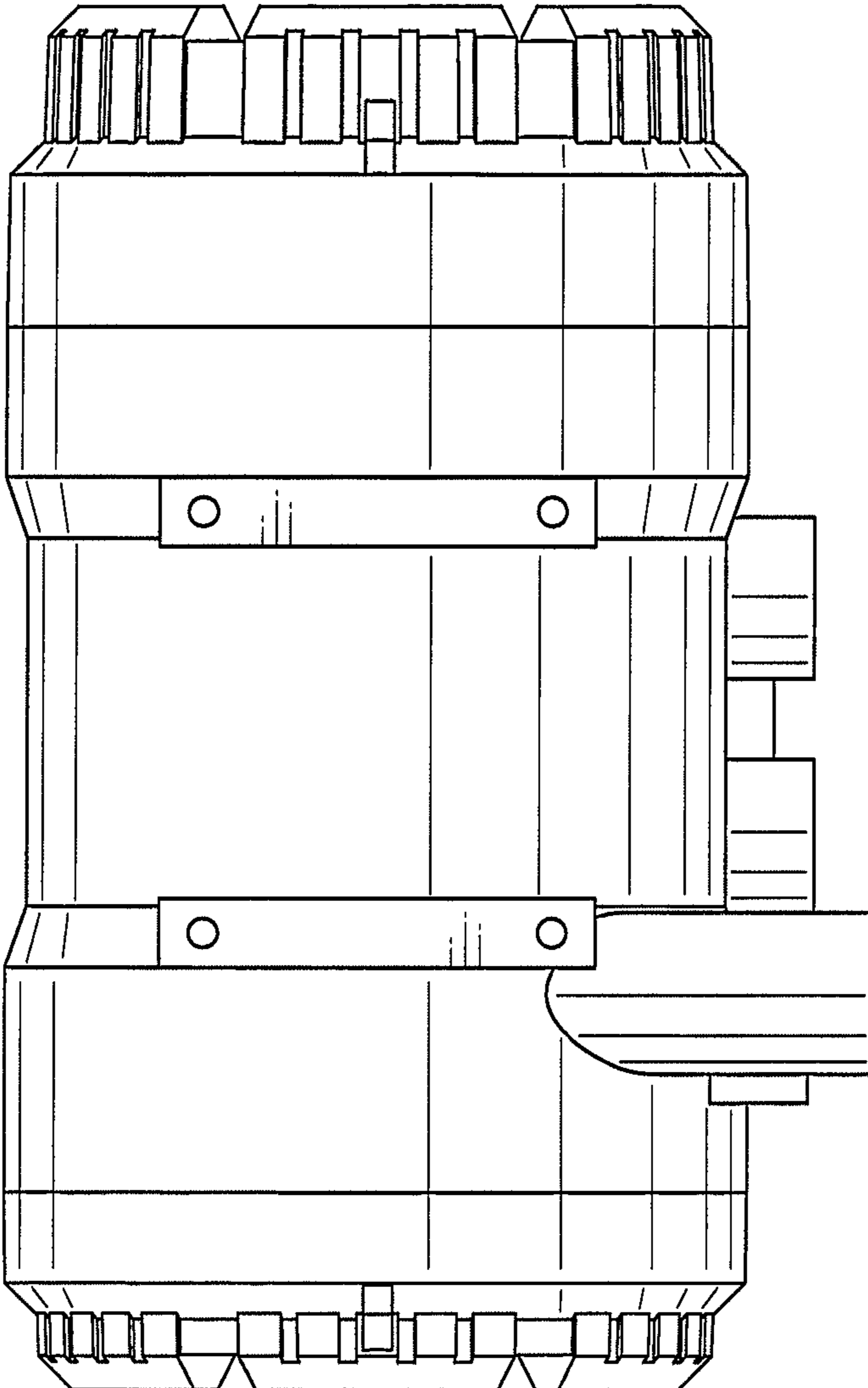




Fig. 8

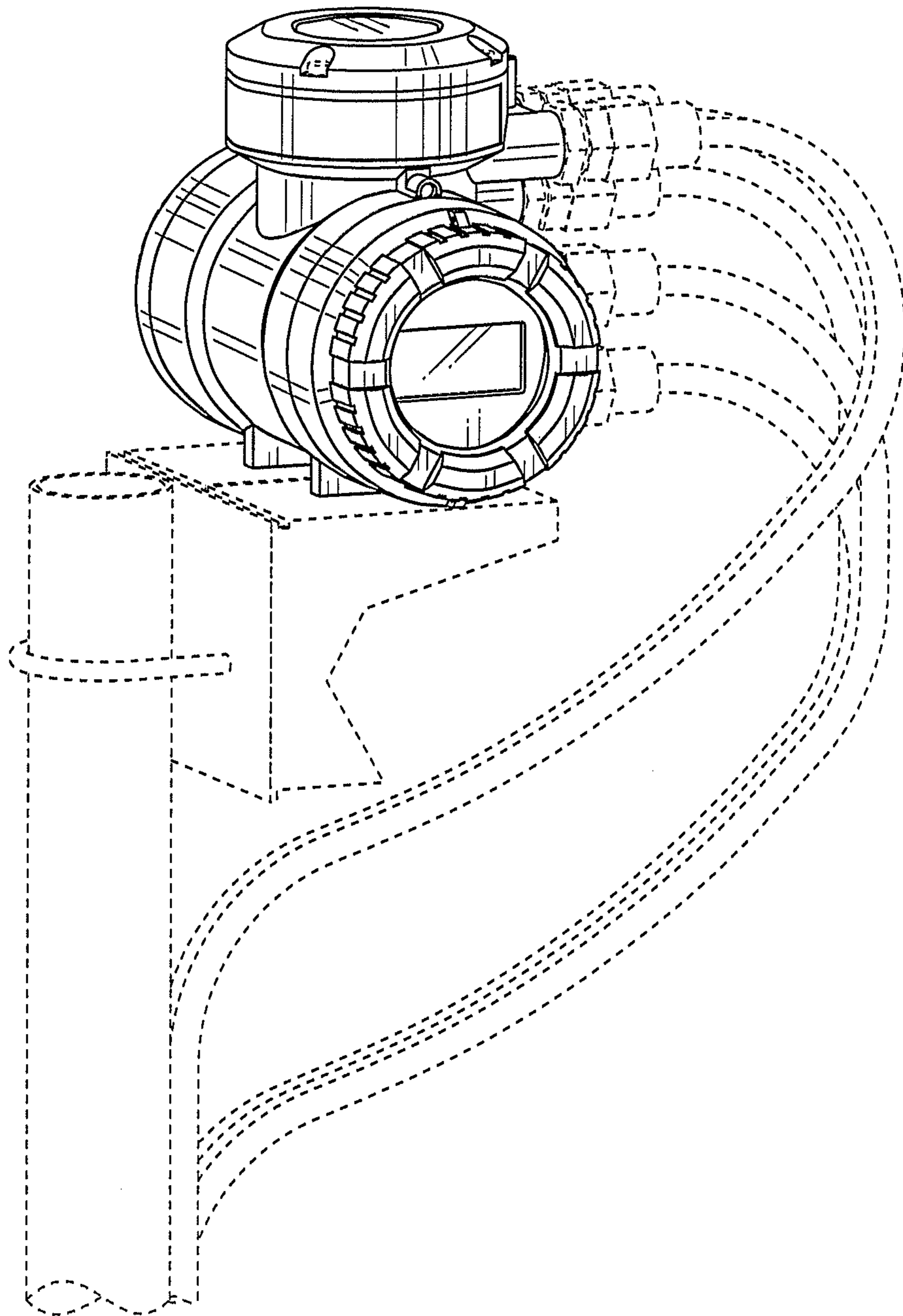


Fig. 9

