



US00D711266S

(12) **United States Design Patent**  
**Miles et al.**

(10) **Patent No.:** **US D711,266 S**

(45) **Date of Patent:** **\*\* Aug. 19, 2014**

(54) **PRESSURE TRANSDUCER**

(71) Applicant: **Viatran Corporation**, Wheatfield, NY (US)

(72) Inventors: **Matthew D. Miles**, Franklin, MA (US);  
**Surinder Sood**, West Seneca, NY (US);  
**John R. Biagioni**, Whitinsville, MA (US);  
**Joel D. Neri**, Youngstown, NY (US)

(73) Assignee: **Viatran Corporation**, Wheatfield, NY (US)

(\*\*) Term: **14 Years**

(21) Appl. No.: **29/454,010**

(22) Filed: **May 6, 2013**

(51) **LOC (10) Cl.** ..... **10-04**

(52) **U.S. Cl.**

USPC ..... **D10/85**

(58) **Field of Classification Search**

CPC ..... G01L 19/0069; G01L 19/0627; G01L 19/142; G01L 19/14; G01L 19/04; G01L 19/145; G01L 19/147; G01L 19/0645; G01L 9/002; G01L 9/0051; G01L 9/0022; G01L 9/00

USPC ..... D10/83-85; 73/700-716, 725, 726, 73/753, 756; 137/487.5; 285/354, 347, 285/379; 367/188; 361/761, 764

See application file for complete search history.

(56) **References Cited**

**U.S. PATENT DOCUMENTS**

D270,819 S *	10/1983	Simons	.....	D10/84
D470,428 S *	2/2003	Kryskowski et al.	.....	D10/85
6,764,109 B2	7/2004	Richardson et al.		
D588,483 S *	3/2009	Chu	.....	D10/85

**OTHER PUBLICATIONS**

U.S. Appl. No. 13/970,789, filed Aug. 20, 2013, Sood et al.  
 [No Author Listed] Hammer Unions. SPM Flow Control, Inc. 1999. 6 pages.  
 APG, Intrinsically Safe Hammer Union Pressure Transmitter, p. 1-3, Automation Products Group, Inc., North Logan, UT.  
 Dynisco Model PT390 Oil Field Pressure Transmitter, Dynisco, p. 217-219.  
 General Electric Co., PTX 661 Druck Hammer Union Pressure Transmitter, 2006, General Electric Company.  
 General Electric Co., PTX 661 Druck Hammer Union Pressure Transmitter, 2008, General Electric Company.  
 GP:50 Weco® "Hammer" Union Pressure Transmitter Models 170, 270, 370, GP:50, Grand Island, NY.  
 Honeywell, Model 424 Wing Union/Hammer Union Pressure Sensors, Nov. 2012, p. 1-5, Honeywell International Inc., Golden Valley, MN.  
 Honeywell, Model 425 Wing Union/Hammer Union Pressure Sensors, Nov. 2012, p. 1-5, Honeywell International Inc., Golden Valley, MN.  
 Honeywell, Model 427, Wing Union/Hammer Union Free Flow Pressure Sensors, Nov. 2012, p. 1-5, Honeywell International Inc, Golden Valley, MN.

(Continued)

*Primary Examiner* — Antoine D Davis

(74) *Attorney, Agent, or Firm* — Wolf, Greenfield & Sacks, P.C.

(57) **CLAIM**

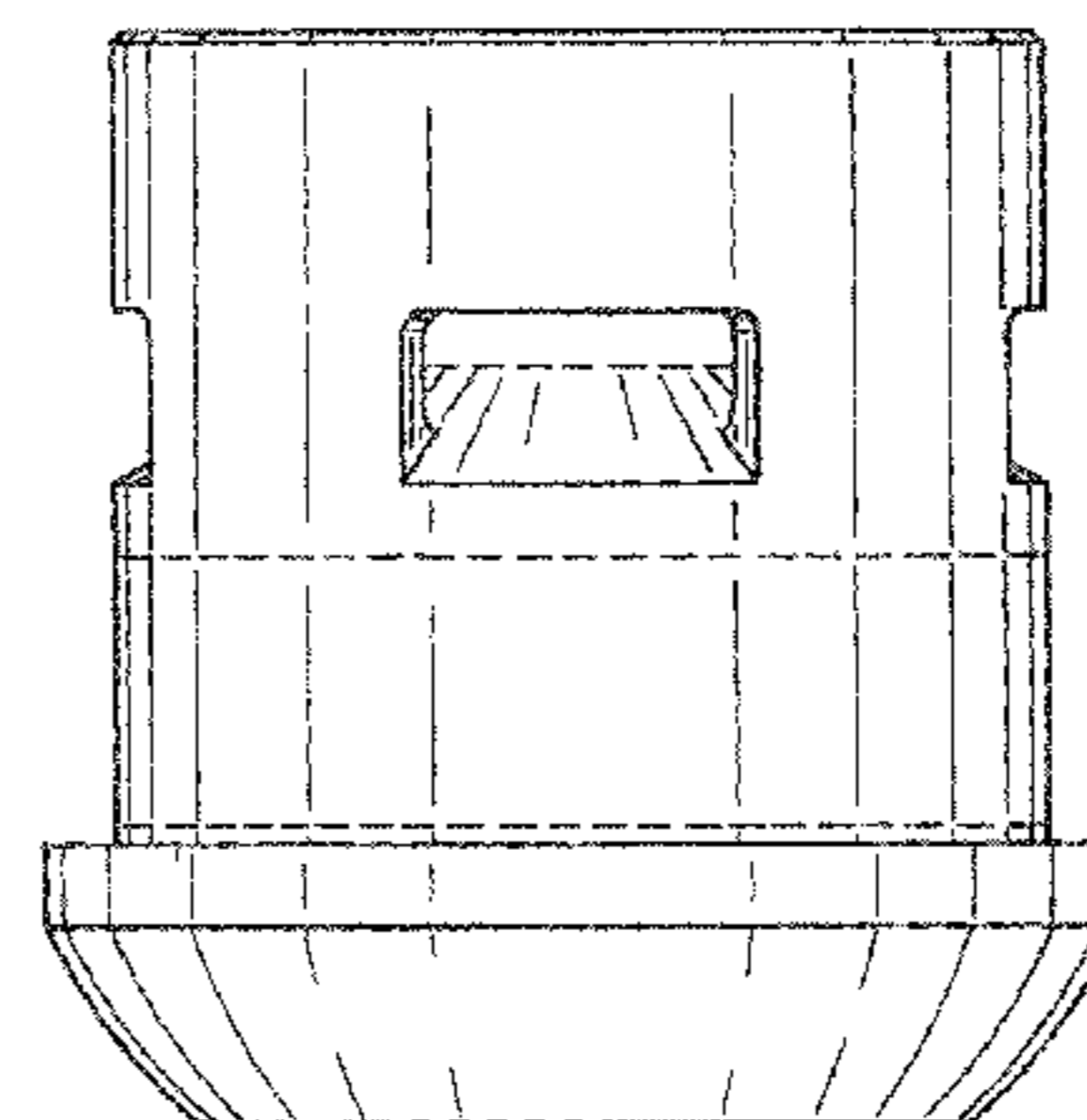
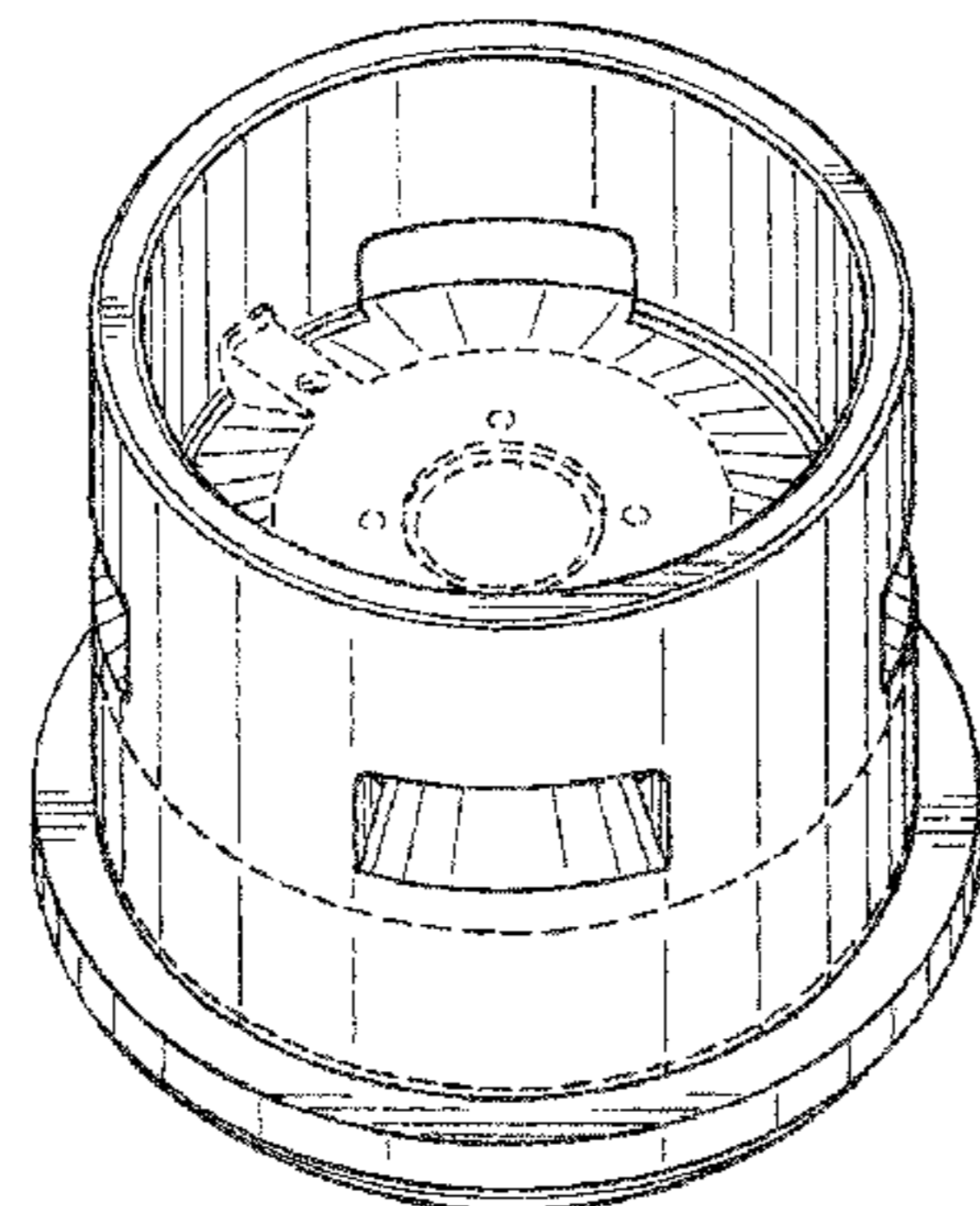
The ornamental design for a pressure transducer, as shown and described.

**DESCRIPTION**

FIG. 1 is a perspective view of the pressure transducer;  
 FIG. 2 is a side view thereof;  
 FIG. 3 is a top view thereof; and,  
 FIG. 4 is a bottom view thereof.

The broken lines shown are included for illustrative purposes only form no part of the claimed design.

**1 Claim, 2 Drawing Sheets**



(56)

**References Cited**

OTHER PUBLICATIONS

Scan-Sense, Wing Union Pressure Transmitter Model 5WU1502-20 & 5WU2202-20, ver. 3.0/2006, p. 1-4, Scan-Sense AS, Vear, Norway.  
Stellar Technology, Hammer Union Weco® 1502, 2 inch Pressure Transmitter, Stellar Technology Incorporated, Amherst, NY.  
Stellar Technology, Hammer Union Weco® 2202, 2 inch Pressure Transmitter, Stellar Technology Incorporated, Amherst, NY.  
Stellar Technology, Series GT2450, 4-20 mA Hazardous Location Pressure Transmitter, 2003, Stellar Technology Incorporated, Amherst, NY.

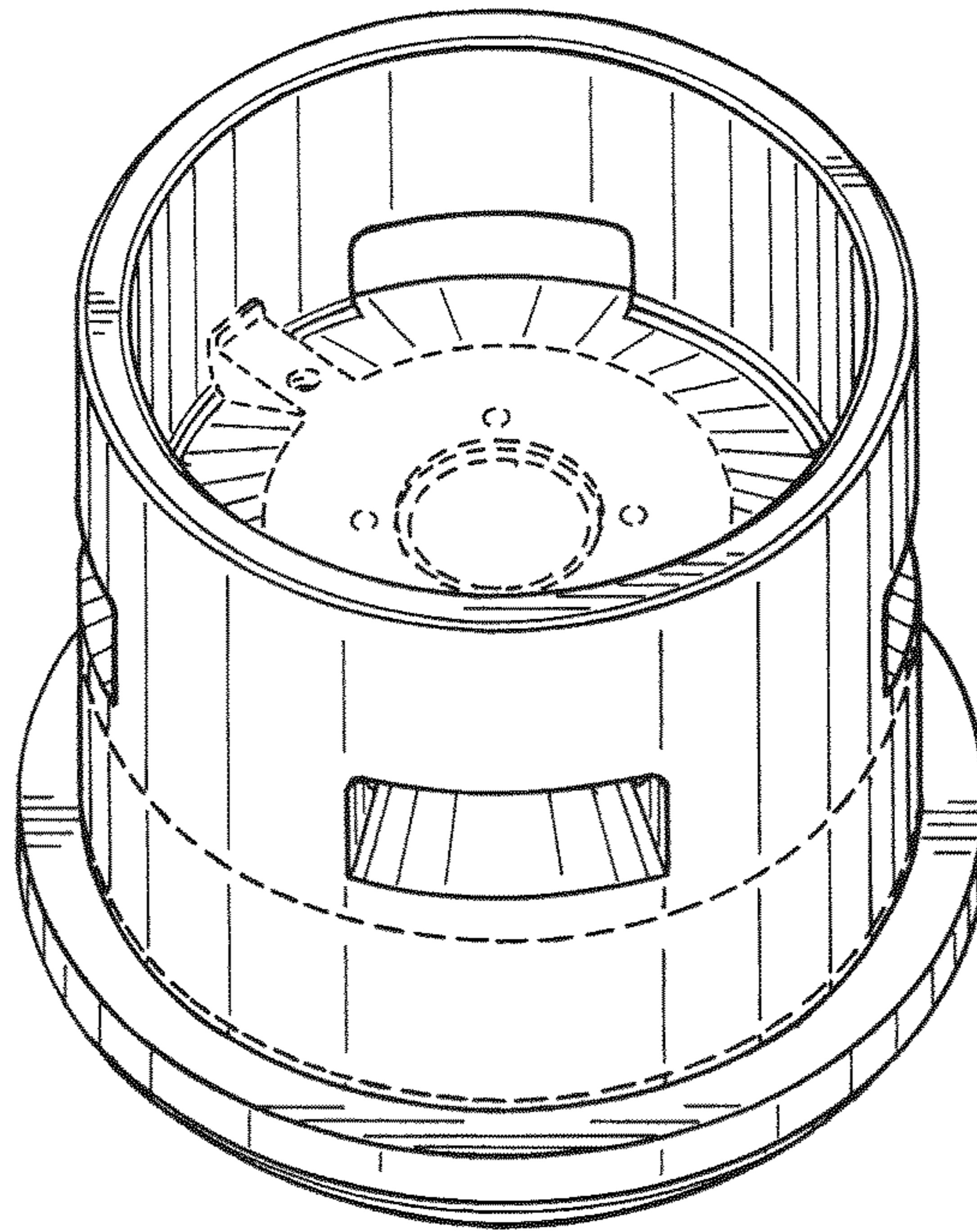
Stellar Technology, Series GT2250, 4-20 mA Hazardous Location Pressure Transmitter, 2004, Stellar Technology Incorporated, Amherst, NY.

Viatran, Pressure Transmitter Models 509 / 709 / 809, Jun. 2010, Viatran, Wheatfield, NY.

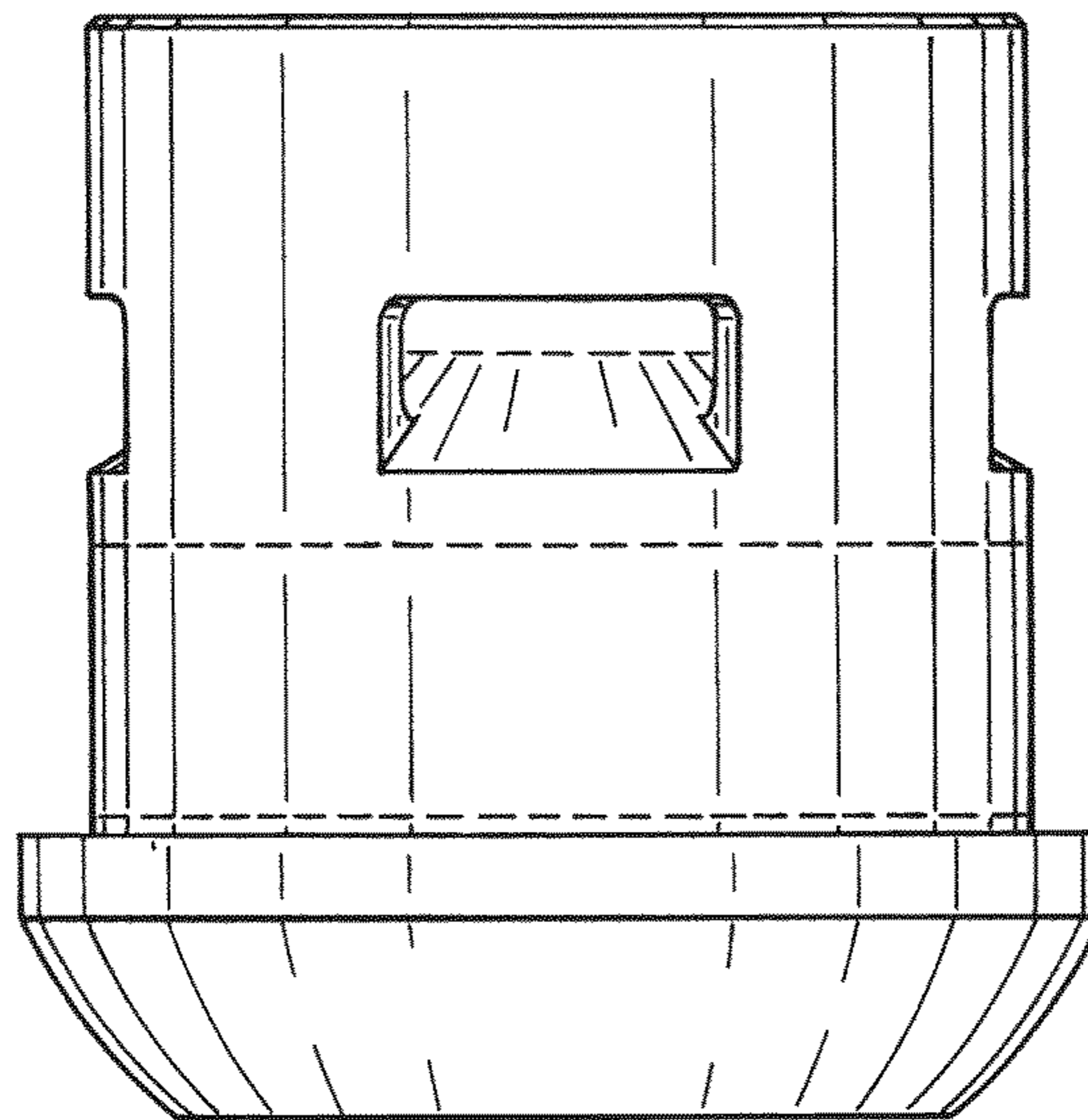
Viatran, Pressure Transmitter Models 510 / 520, Viatran, Wheatfield, NY.

Vishay Precision Group, Pressure Transmitters, Mar. 18, 2010, disclaimer published Apr. 27, 2011, Vishay Precision Group.

\* cited by examiner

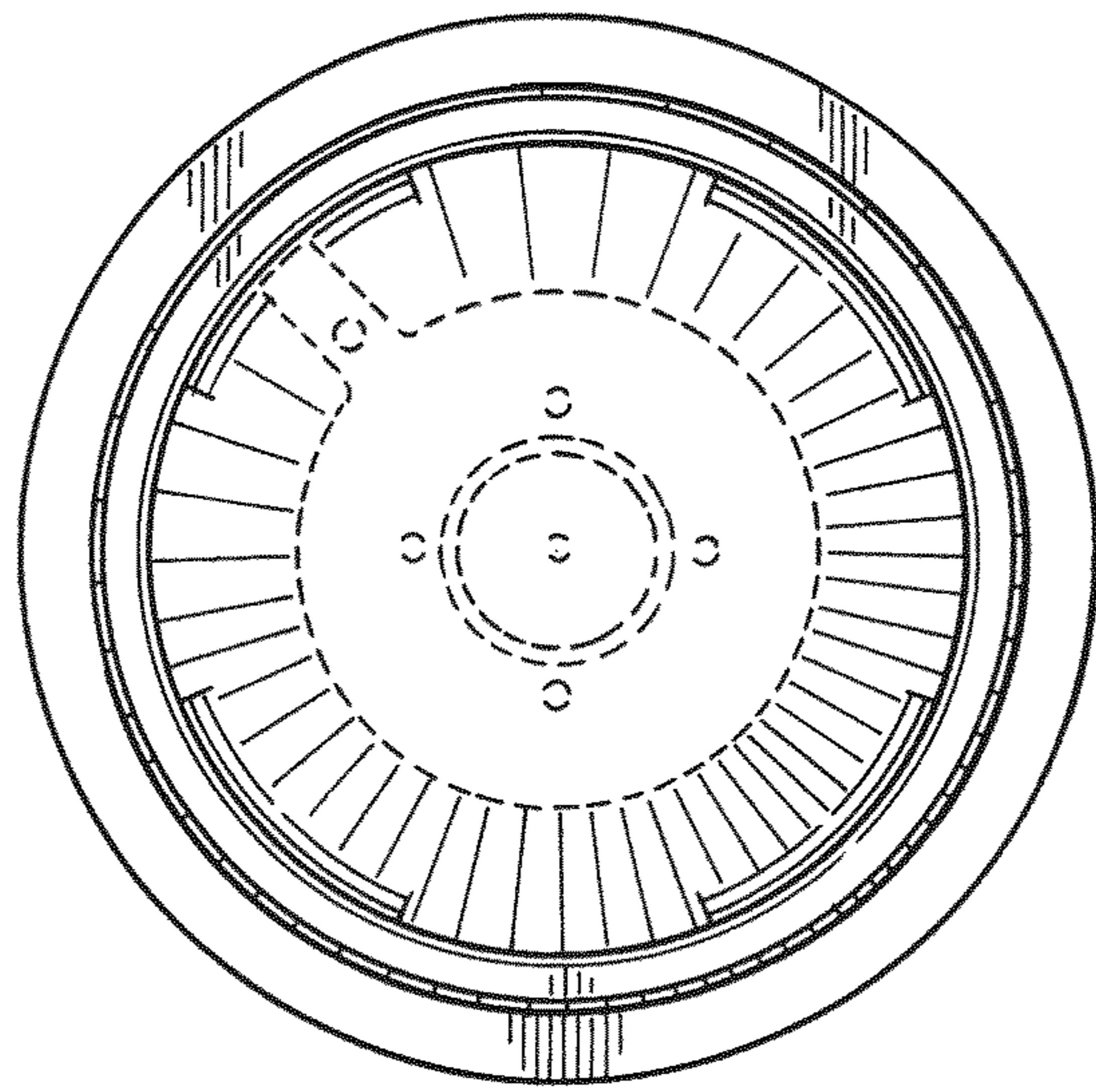


*Fig. 1*

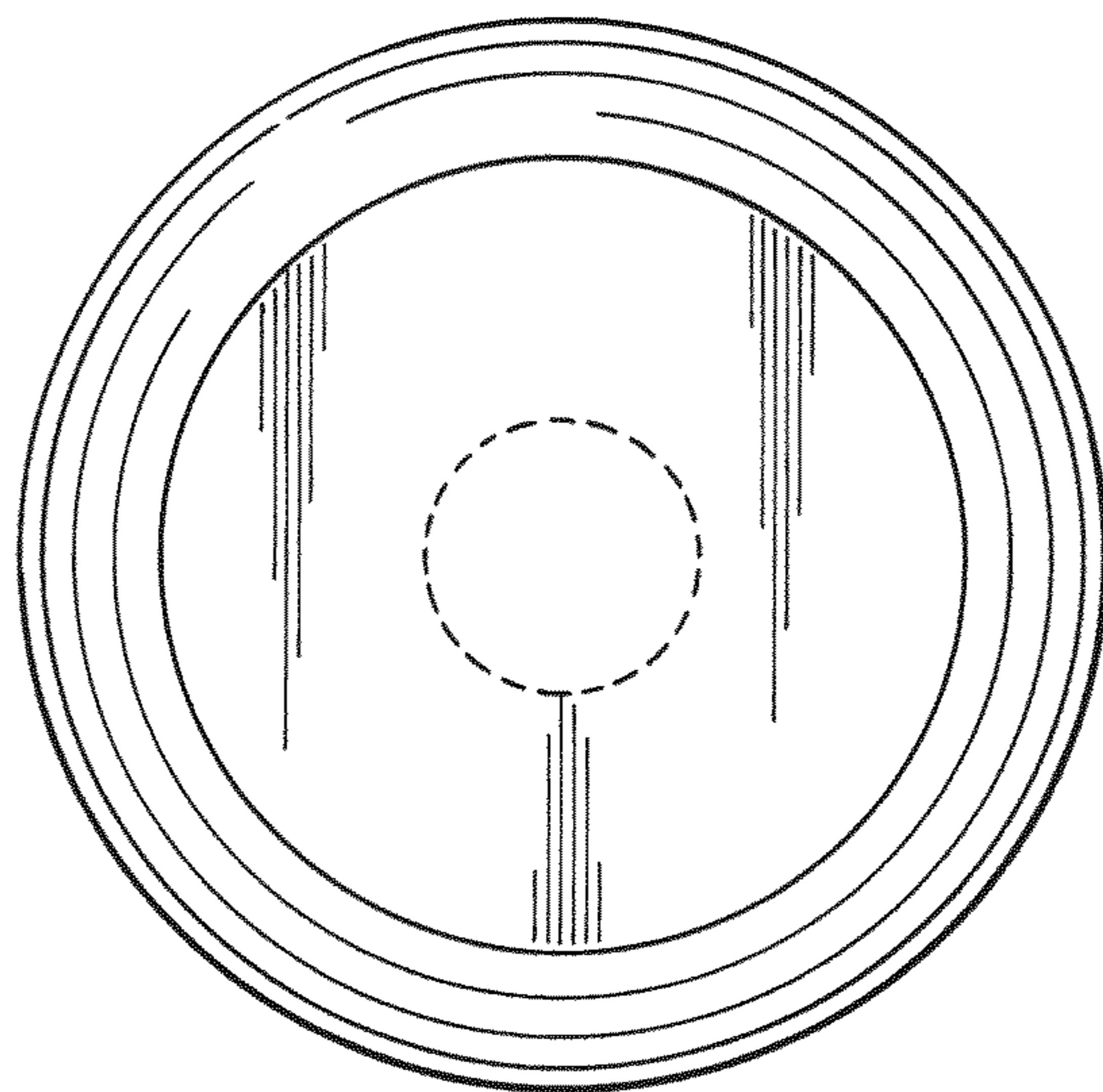


*Fig. 2*





*Fig. 3*



*Fig. 4*