



US00D711265S

(12) **United States Design Patent**  
**Antonczak**

(10) **Patent No.:** **US D711,265 S**  
(45) **Date of Patent:** **\*\* Aug. 19, 2014**

(54) **MASS SPECTROMETER**

(71) Applicant: **Michael Antonczak**, San Jose, CA (US)

(72) Inventor: **Michael Antonczak**, San Jose, CA (US)

(73) Assignee: **Thermo Finnigan LLC**, San Jose, CA (US)

(\*\*) Term: **14 Years**

(21) Appl. No.: **29/450,646**

(22) Filed: **Mar. 20, 2013**

(51) **LOC (10) Cl.** ..... **10-04**

(52) **U.S. Cl.**  
USPC ..... **D10/81**

(58) **Field of Classification Search**  
USPC ..... D10/81; 250/281-300  
See application file for complete search history.

(56) **References Cited**

**U.S. PATENT DOCUMENTS**

D347,396 S \* 5/1994 Ohnuma et al. .... D10/81  
D356,967 S \* 4/1995 Takekoshi et al. .... D10/81

6,864,091 B1 \* 3/2005 Wang et al. .... 436/37  
7,129,481 B2 \* 10/2006 Overney ..... 250/288  
D557,156 S \* 12/2007 Kon ..... D10/81  
D599,688 S \* 9/2009 Ito ..... D10/81  
8,158,936 B2 \* 4/2012 Hofstadler et al. .... 250/288  
D689,387 S \* 9/2013 Muraoka et al. .... D10/81  
8,525,110 B2 \* 9/2013 Herrero et al. .... 250/288  
8,664,588 B2 \* 3/2014 Noda et al. .... 250/281

\* cited by examiner

*Primary Examiner* — Antoine D Davis

(74) *Attorney, Agent, or Firm* — Nicholas Cairns

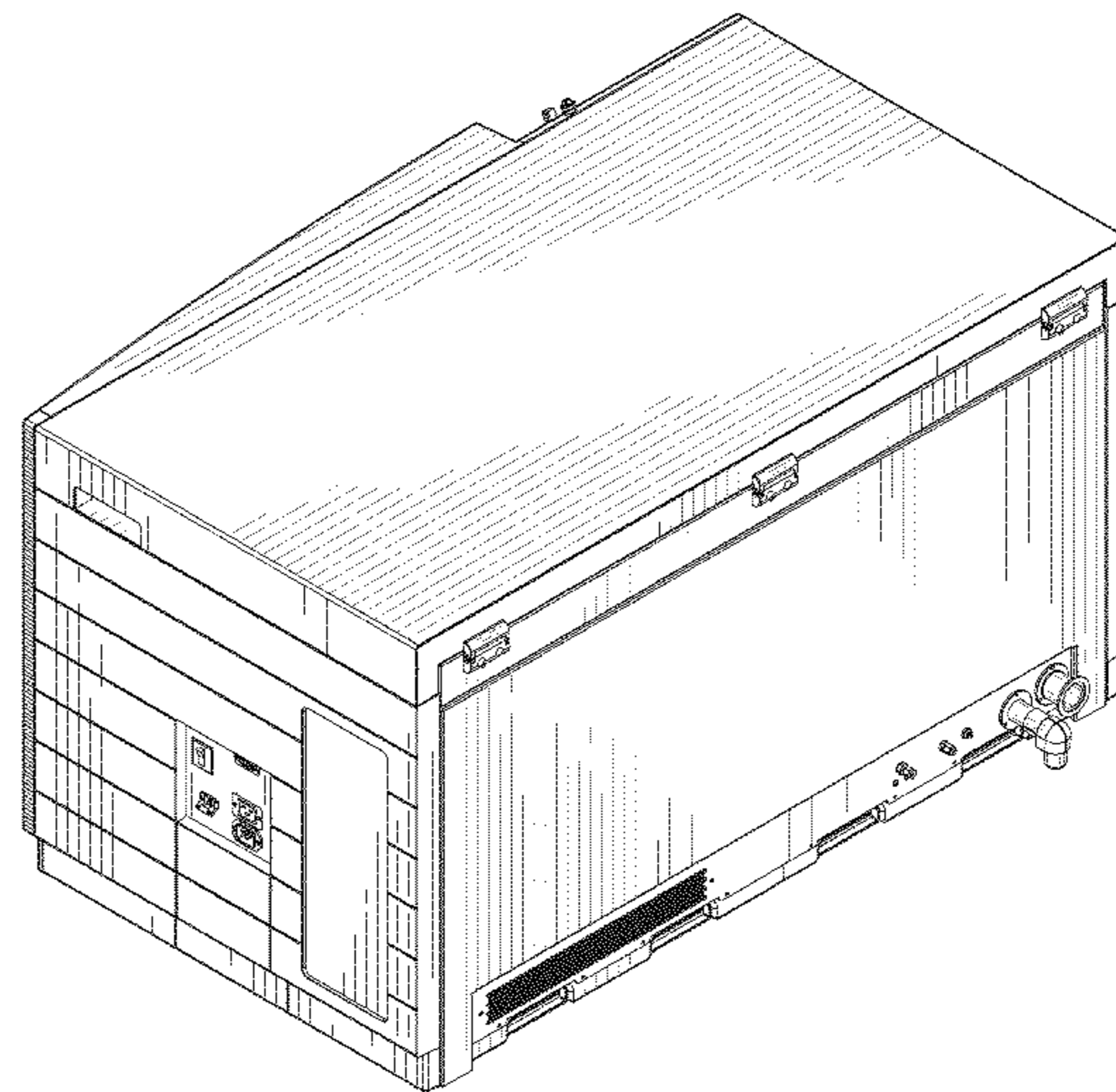
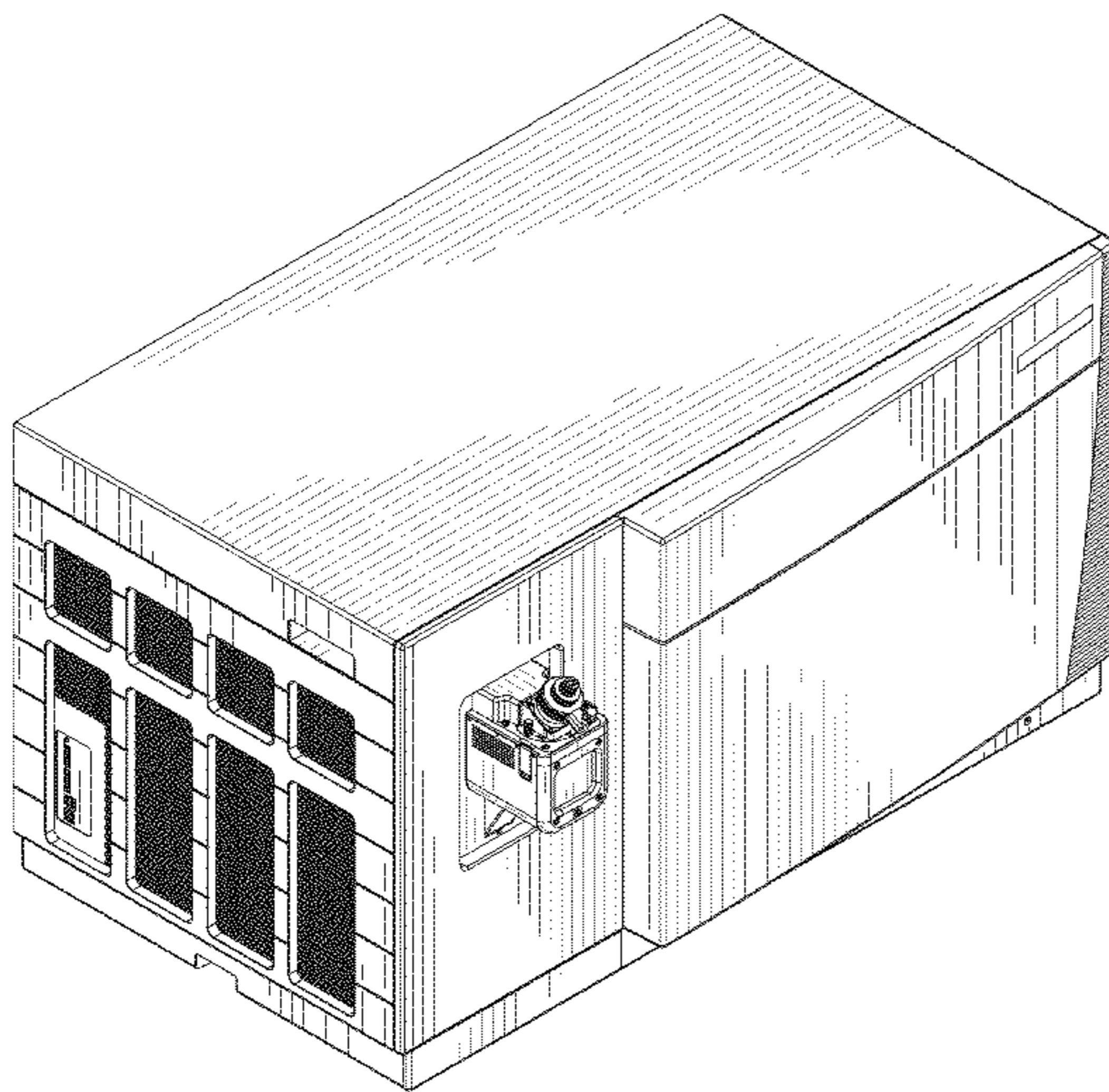
(57) **CLAIM**

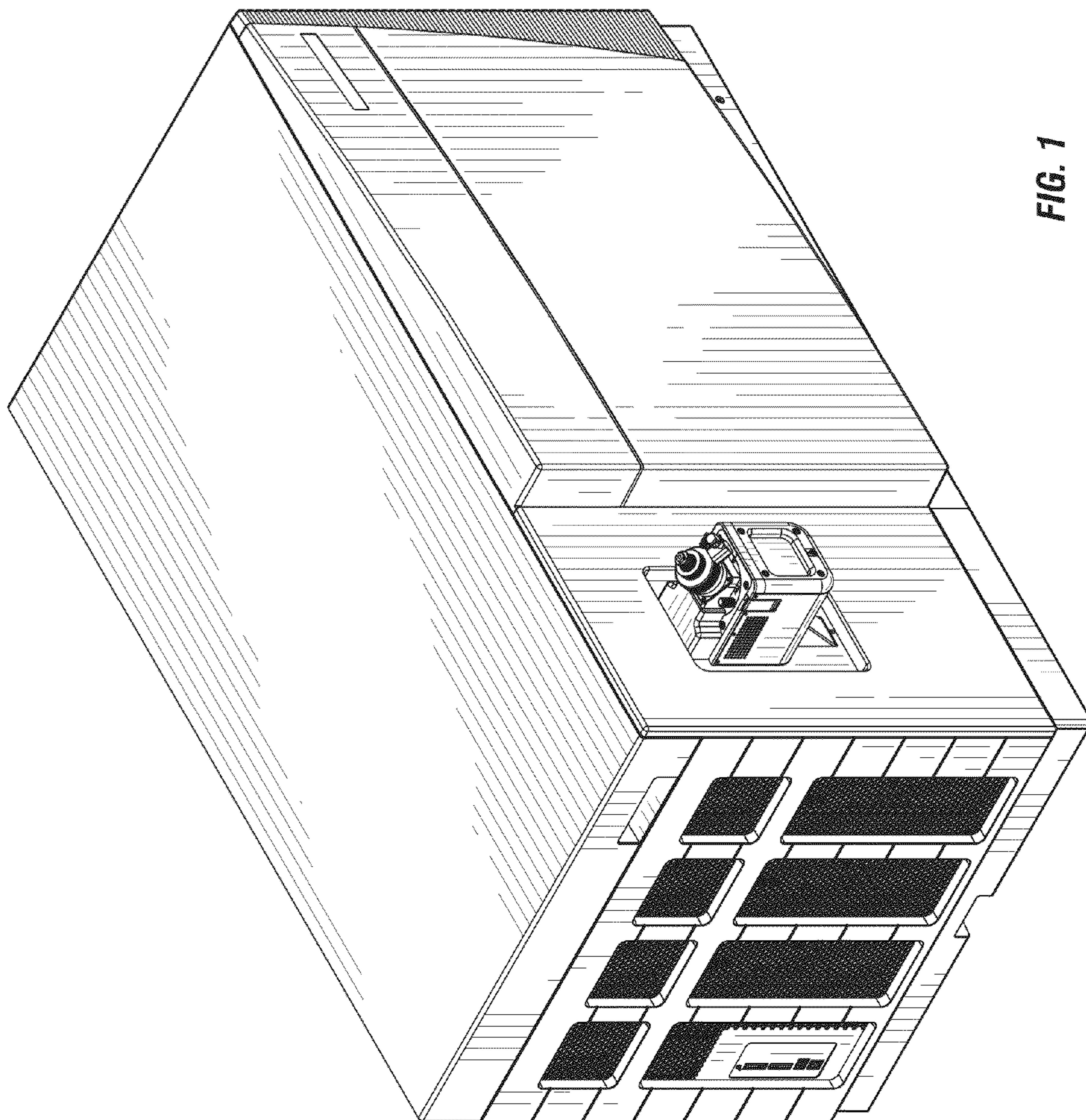
The ornamental design for a mass spectrometer, as shown.

**DESCRIPTION**

FIG. 1 is a front, top and left side perspective view of a mass spectrometer showing the design;  
FIG. 2 is a rear, top and right side perspective view thereof;  
FIG. 3 is a front elevational view thereof;  
FIG. 4 is a rear elevational view thereof;  
FIG. 5 is a left side elevational view thereof;  
FIG. 6 is a right side elevational view thereof; and,  
FIG. 7 is a top view thereof.

**1 Claim, 7 Drawing Sheets**







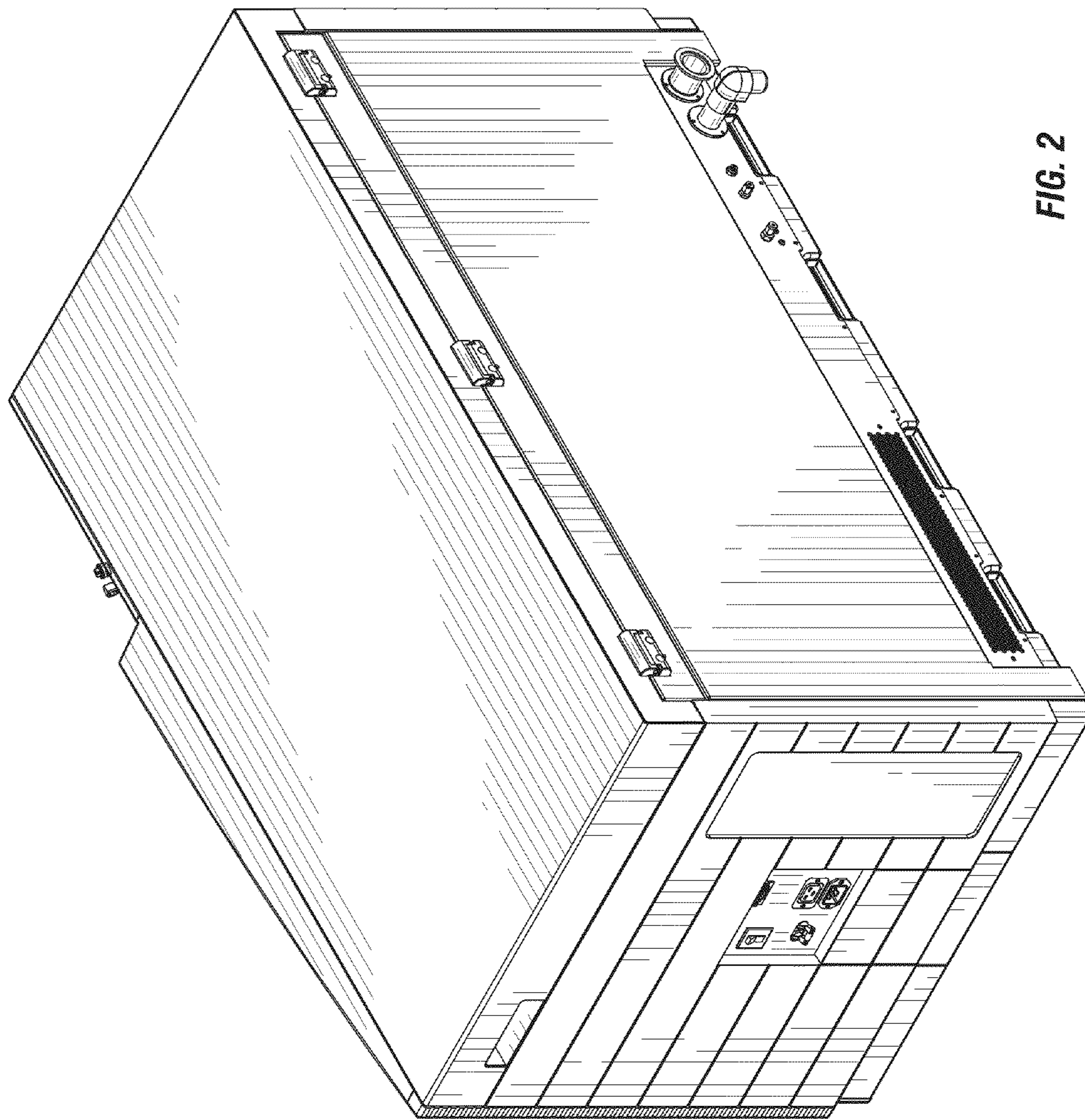


FIG. 2

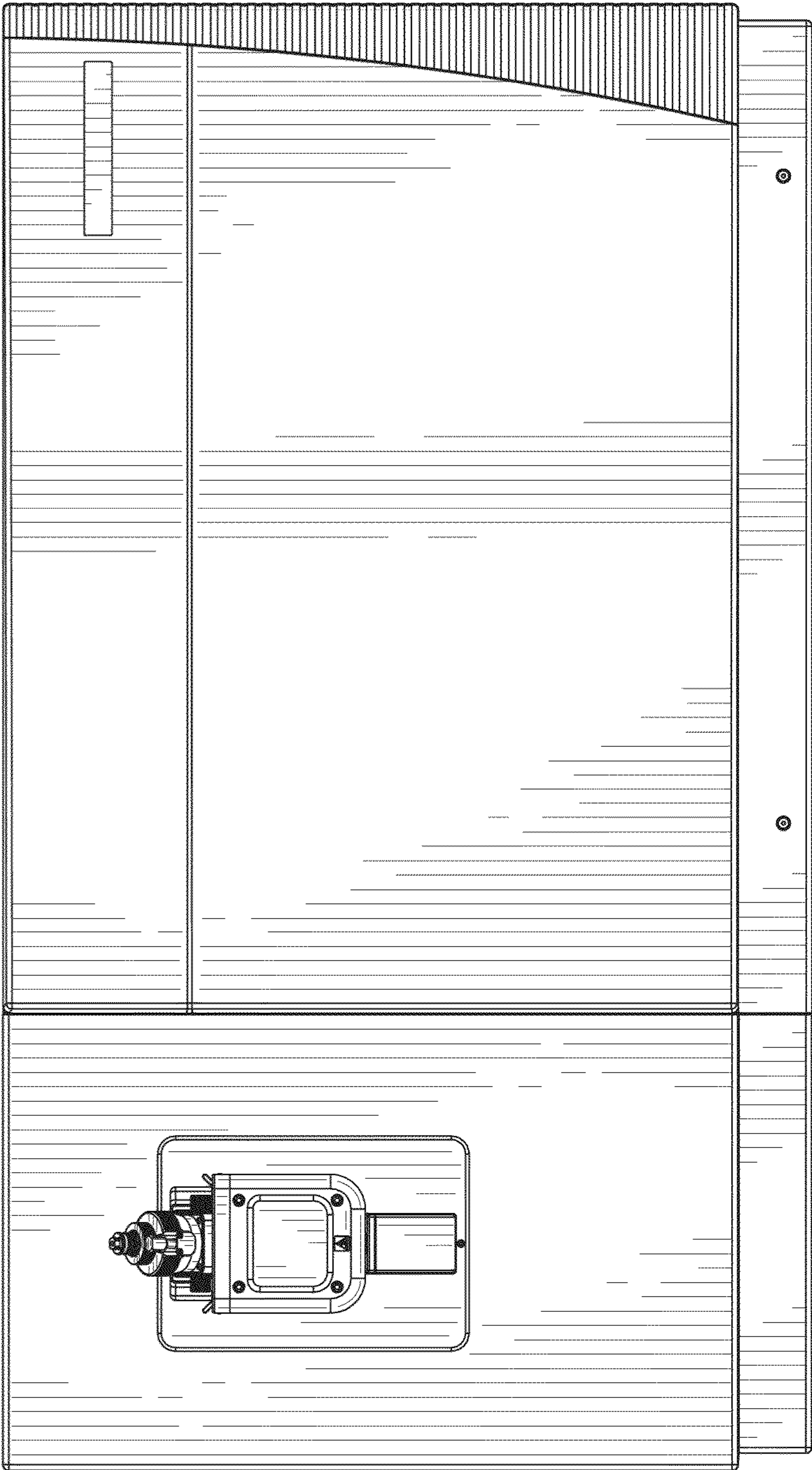


FIG. 3

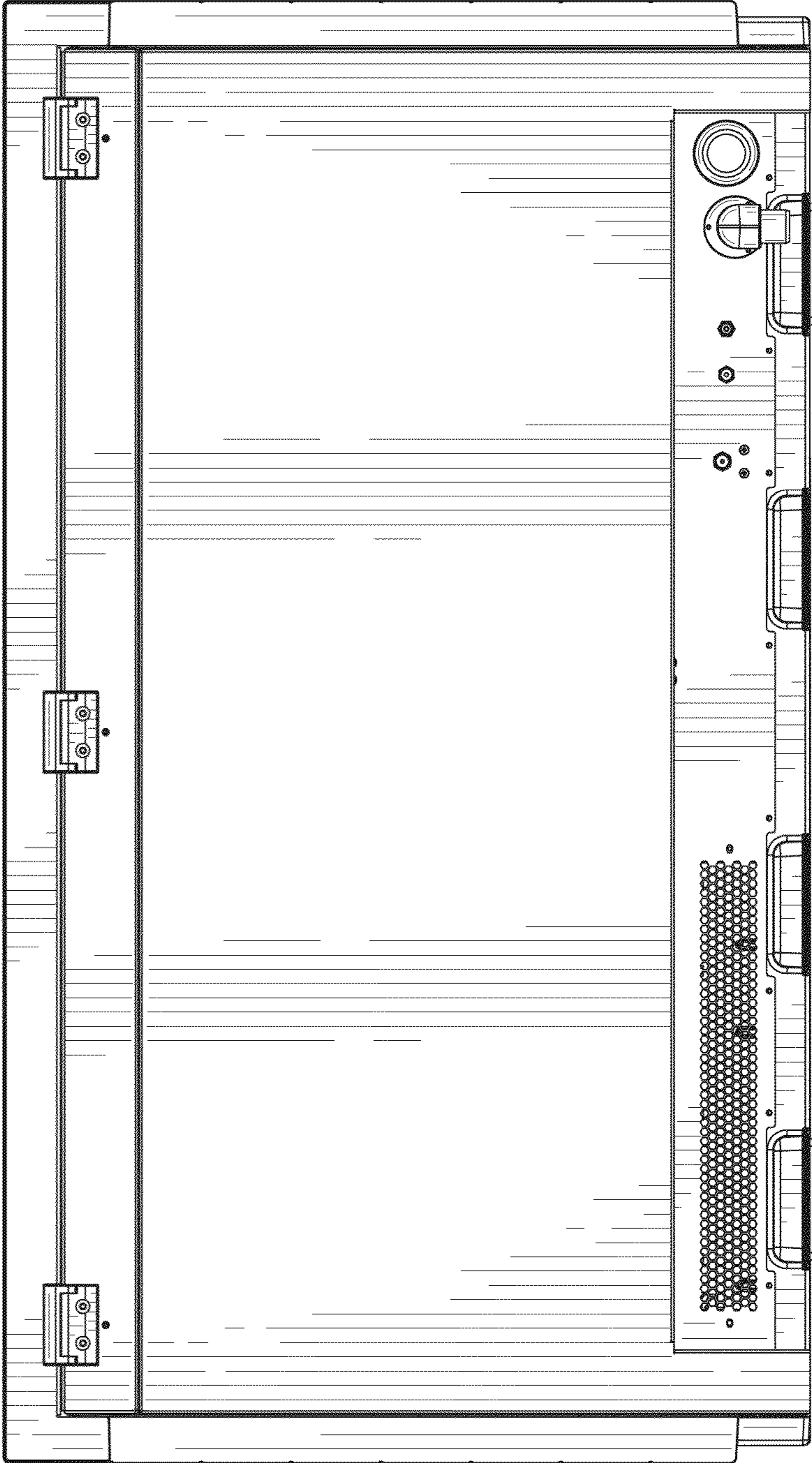


FIG. 4



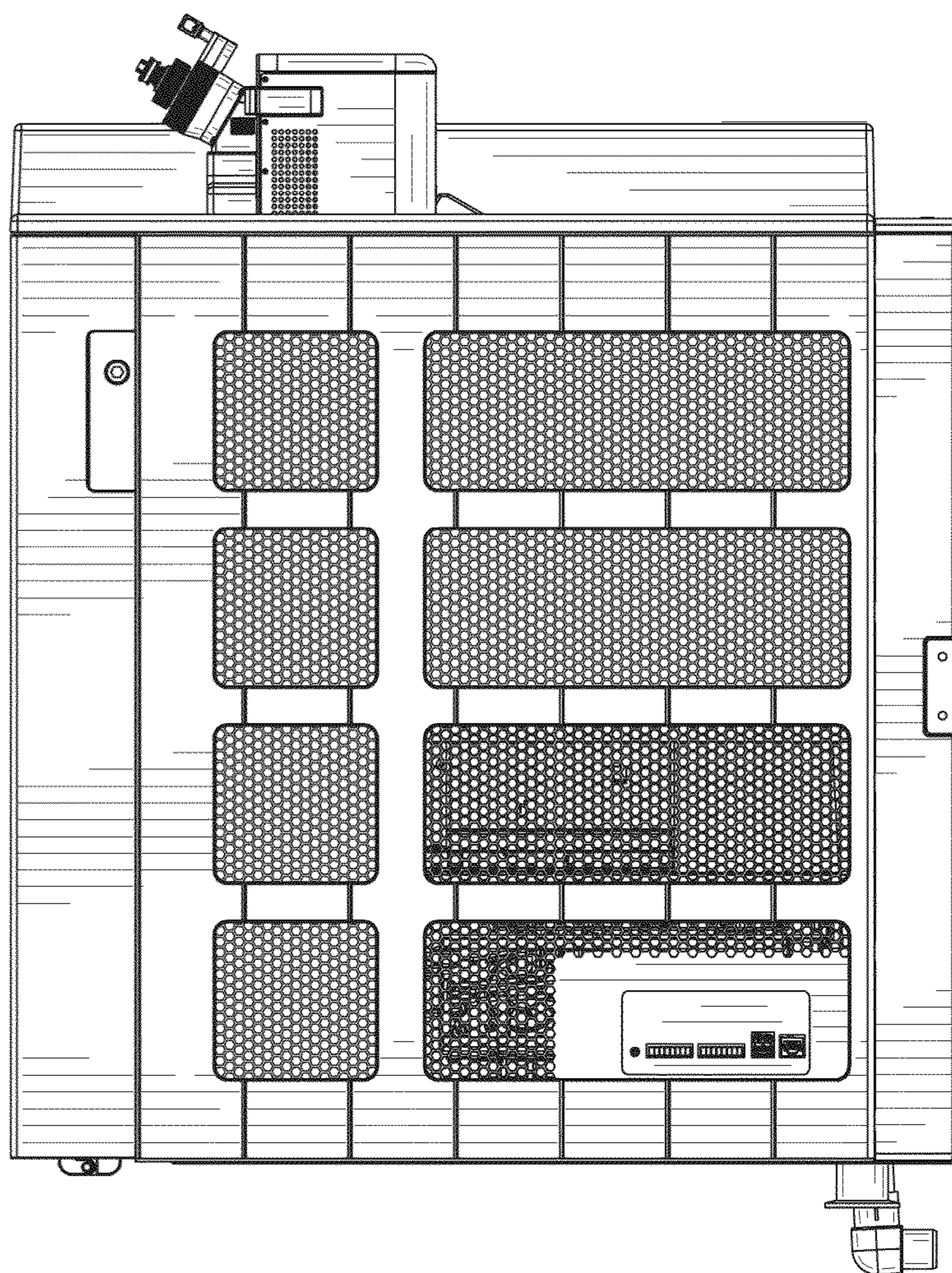


FIG. 5

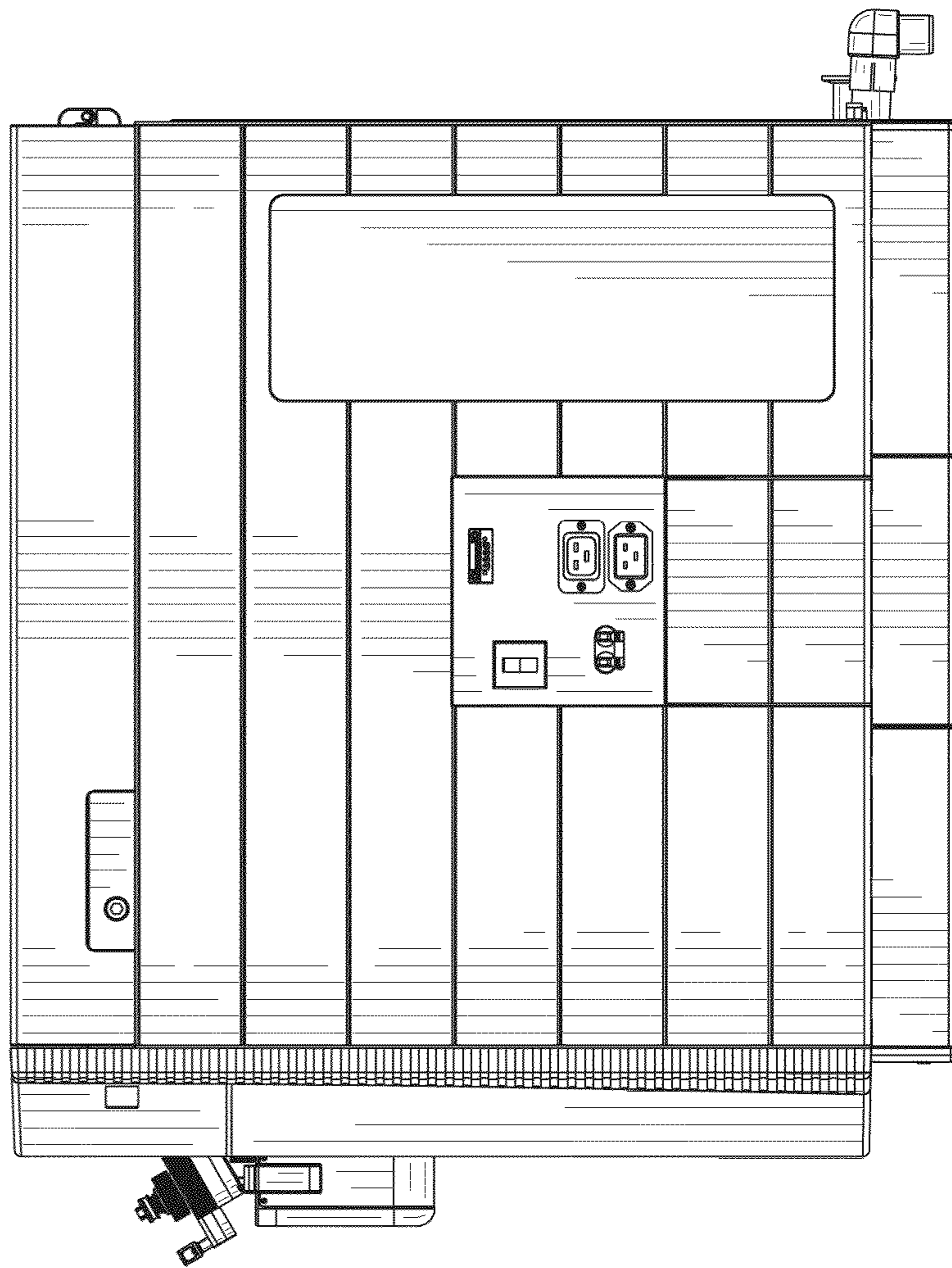


FIG. 6



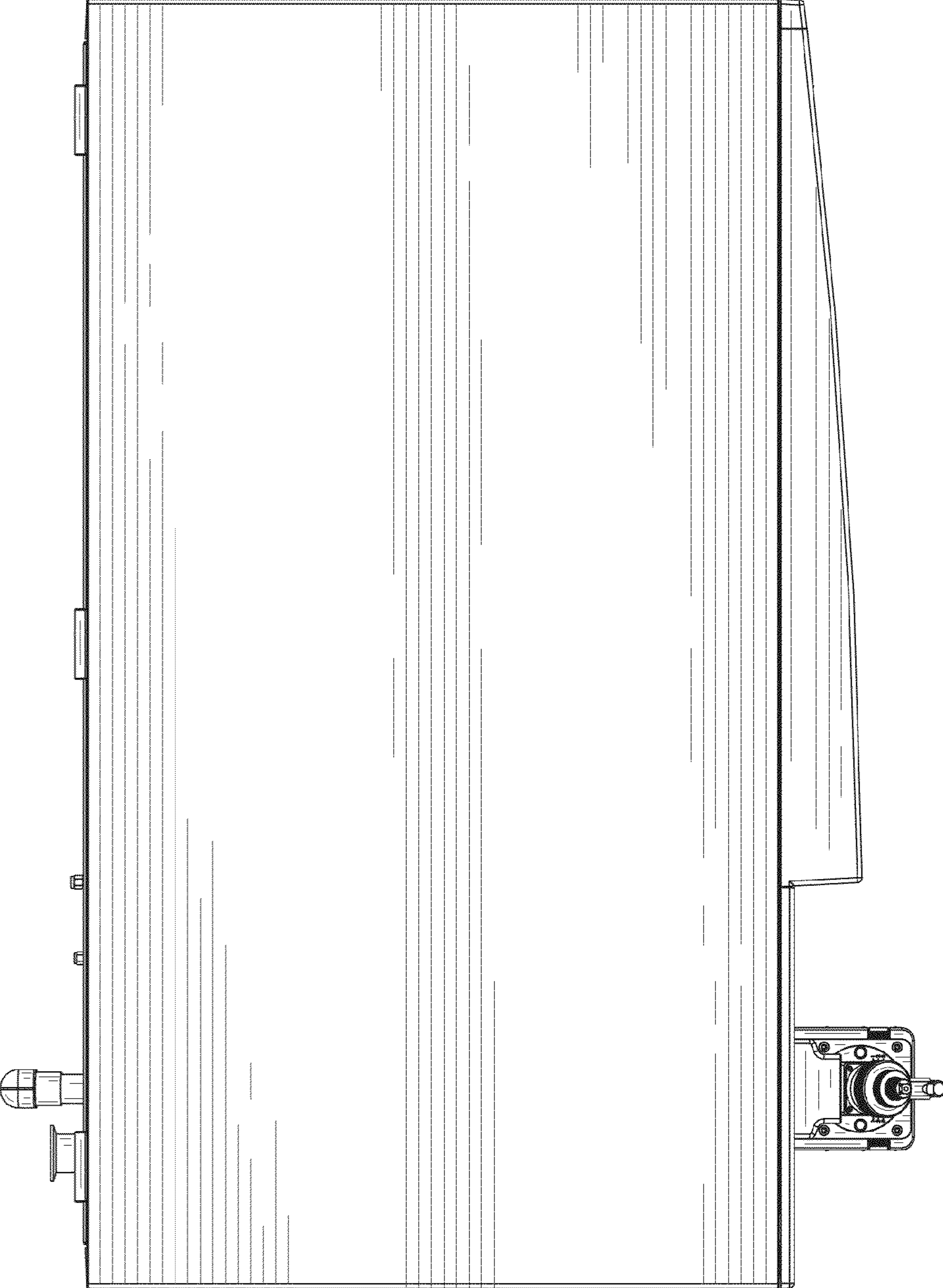


FIG. 7