



US00D711255S

(12) **United States Design Patent**
Madda et al.

(10) **Patent No.:** **US D711,255 S**

(45) **Date of Patent:** **** *Aug. 19, 2014**

(54) **SINGLE ARTICLE PACKAGING WITH FLAP**

(75) Inventors: **Adrienne Madda**, Chicago, IL (US);
Peter Ehling, Chicago, IL (US); **Katie Hernandez**, Chicago, IL (US)

(73) Assignee: **Wm. Wrigley Jr. Company**, Chicago, IL (US)

(*) Notice: This patent is subject to a terminal disclaimer.

(**) Term: **14 Years**

(21) Appl. No.: **29/431,180**

(22) Filed: **Sep. 4, 2012**

(51) **LOC (10) Cl.** **09-03**

(52) **U.S. Cl.**
USPC **D9/759; D9/433**

(58) **Field of Classification Search**
USPC D9/759, 756, 758, 760, 761, 414, 420,
D9/422, 430-433; D7/504; 229/198.2,
229/103.2, 115; 248/152; 206/427, 780,
206/485; 211/85.4, 73
See application file for complete search history.

(56) **References Cited**

U.S. PATENT DOCUMENTS

3,428,235	A *	2/1969	Randazzo	206/427
3,437,193	A *	4/1969	Freeman	206/780
4,181,220	A *	1/1980	Zicko	206/315.2
4,218,086	A *	8/1980	Klygis	294/87.2
D261,484	S *	10/1981	Haubert	D9/759
4,300,683	A *	11/1981	Roccaforte	206/485
4,305,500	A *	12/1981	Jaeschke	206/153
4,549,654	A *	10/1985	Tiesman	206/486
D283,303	S *	4/1986	Montealegre	D9/759
4,607,784	A *	8/1986	Calabrese	229/115
D287,464	S *	12/1986	Mode	D9/759
4,671,404	A *	6/1987	Wall et al.	248/150
D336,014	S *	6/1993	Castro	D7/504
5,351,815	A *	10/1994	Fogle et al.	206/153

5,417,341	A *	5/1995	Petrickis et al.	220/592.25
D398,429	S *	9/1998	LeBlanc et al.	D34/6
D411,102	S *	6/1999	Planchard	D9/415
D427,056	S *	6/2000	Trace et al.	D9/713
6,273,278	B1 *	8/2001	Enyedy et al.	211/85.4

(Continued)

Primary Examiner — Mark Goodwin

(74) *Attorney, Agent, or Firm* — McAndrews, Held & Malloy, Ltd.

(57) **CLAIM**

The ornamental design for single article packaging with flap, as shown and described.

DESCRIPTION

FIG. 1 is a perspective view of the single article packaging with flap showing an article positioned in the packaging in broken lines. The broken lines shown in any of the Figures are for the purpose of illustrating the environmental structure of the single article packaging with flap and are not part of the claimed design.

FIG. 2 is a front view of the single article packaging with flap of FIG. 1.

FIG. 3 is a back view of the single article packaging with flap of FIG. 1.

FIG. 4 is a left side view of the single article packaging with flap of FIG. 1.

FIG. 5 is a right side view of the single article packaging with flap of FIG. 1.

FIG. 6 is a top view of the single article packaging with flap of FIG. 1.

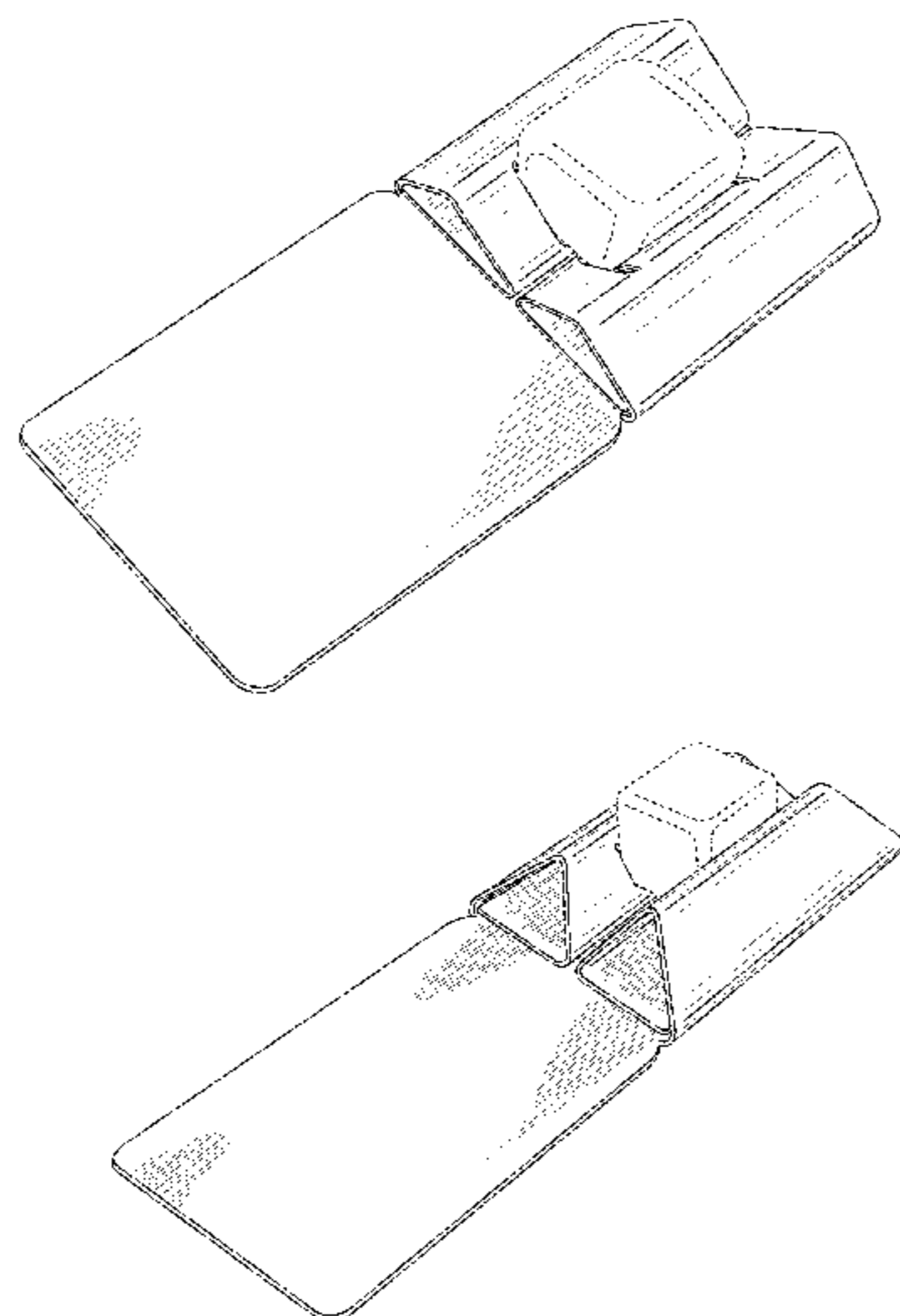
FIG. 7 is a bottom view of the single article packaging with flap of FIG. 1.

FIG. 8 is a perspective view of an alternative embodiment of the single article packaging with flap of FIG. 1.

FIG. 9 is a front view of the alternative embodiment of the single article packaging with flap of FIG. 8; and,

FIG. 10 is a top view of the alternative embodiment of the single article packaging with flap of FIG. 8.

1 Claim, 5 Drawing Sheets



(56)

References Cited

U.S. PATENT DOCUMENTS

D469,692 S *	2/2003	Meeker et al.	D9/432	7,814,821 B2 *	10/2010	Chenel	89/1.13
6,615,984 B2 *	9/2003	Saulas et al.	206/427	D637,904 S *	5/2011	Anderson et al.	D9/430
D494,859 S *	8/2004	Keberlein	D9/416	D641,617 S *	7/2011	Steenberg	D9/431
D503,337 S *	3/2005	Selby	D9/433	8,052,103 B2 *	11/2011	Ferraro et al.	248/174
6,926,196 B2 *	8/2005	Testerman et al.	229/198.2	D672,233 S *	12/2012	Green	D9/431
7,219,830 B2 *	5/2007	West	229/115	D683,214 S *	5/2013	McAdam	D9/433
7,347,326 B2 *	3/2008	Baechle	206/453	D684,463 S *	6/2013	Elfstrum et al.	D9/430
D601,009 S *	9/2009	Shinn	D9/415	8,459,190 B2 *	6/2013	Erdie	108/51.3
7,699,211 B2 *	4/2010	Holloway	229/115	D695,102 S *	12/2013	Keberlein et al.	D9/416
				2004/0084513 A1 *	5/2004	Testerman et al.	229/115
				2007/0236030 A1 *	10/2007	Chenel	294/137

* cited by examiner

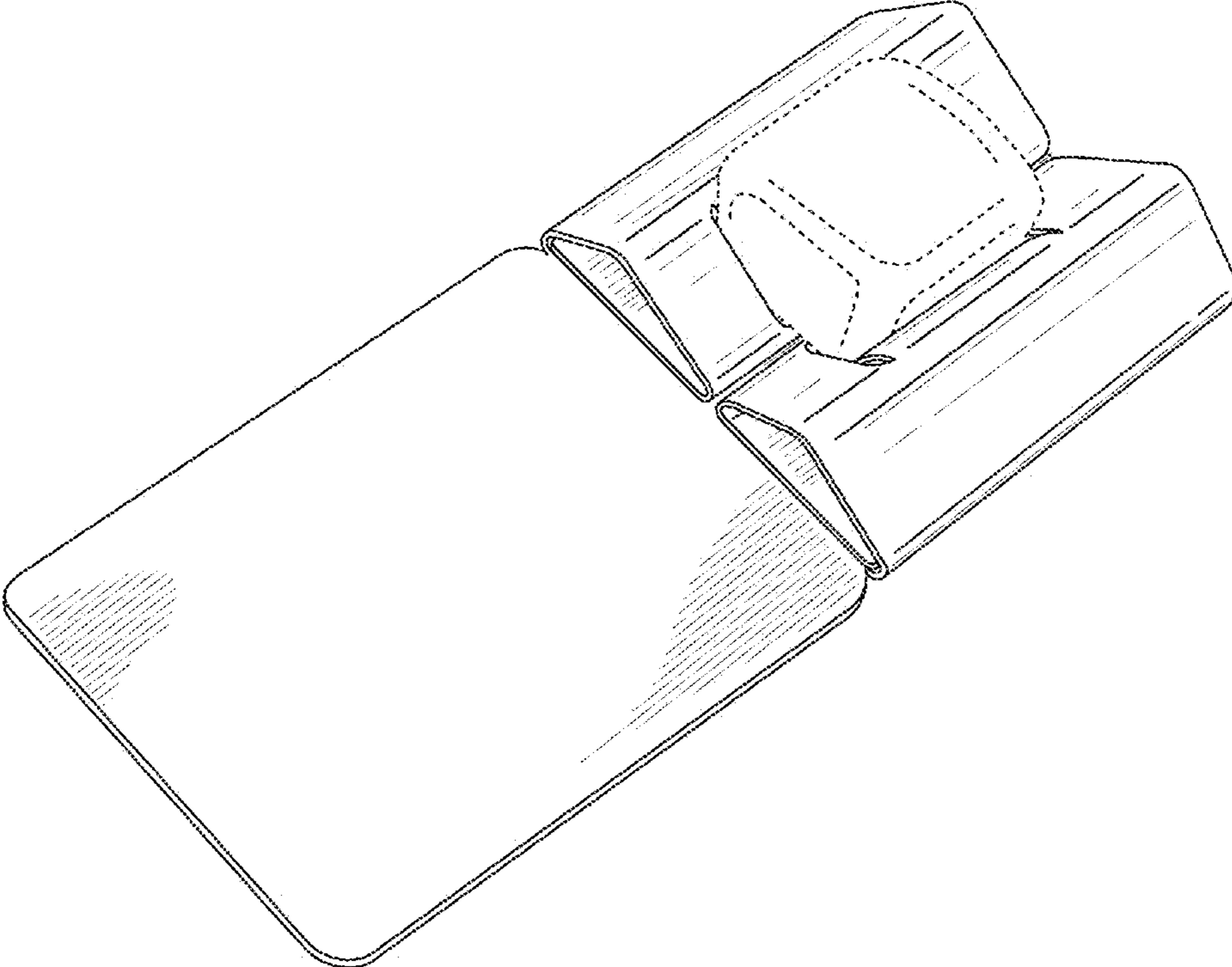


FIG. 1



FIG. 2

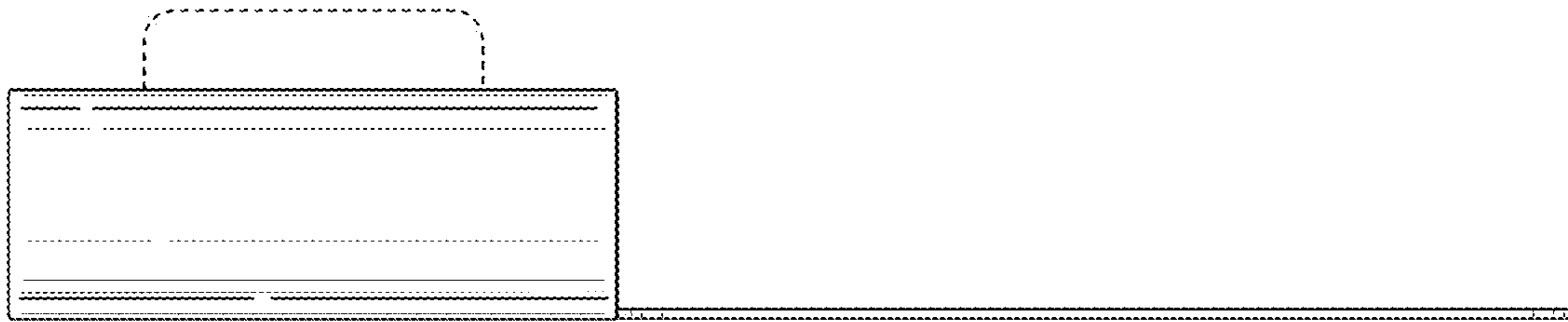


FIG. 3

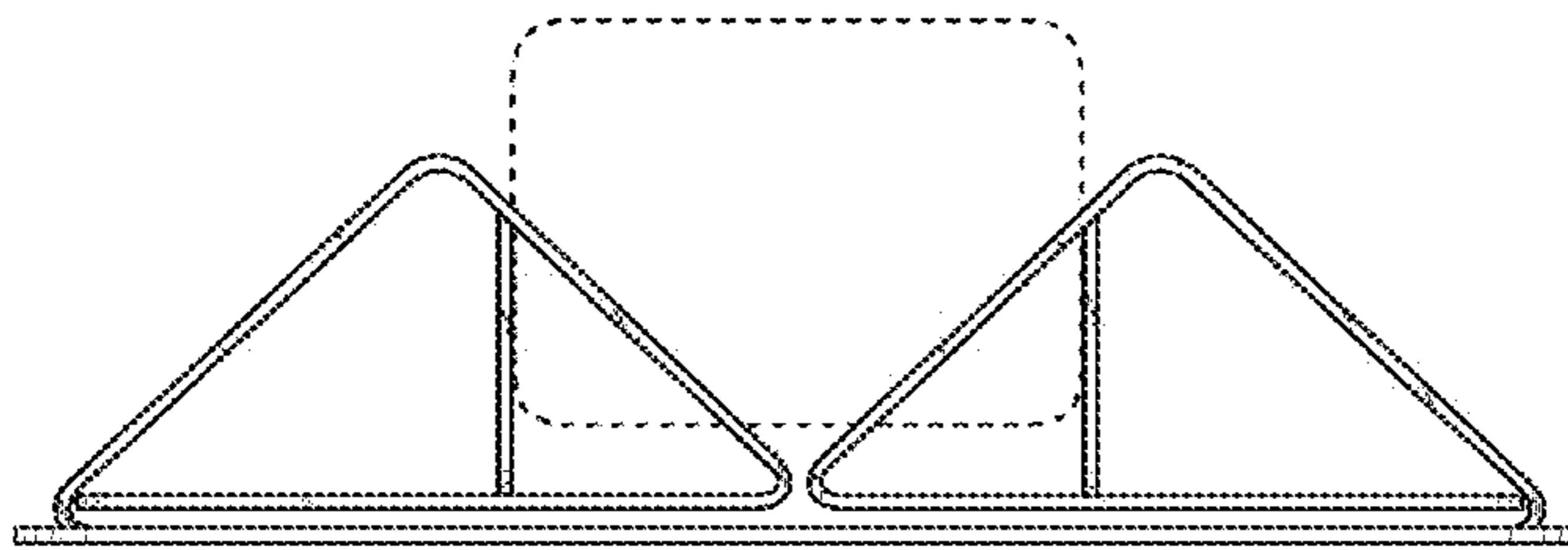


FIG. 4

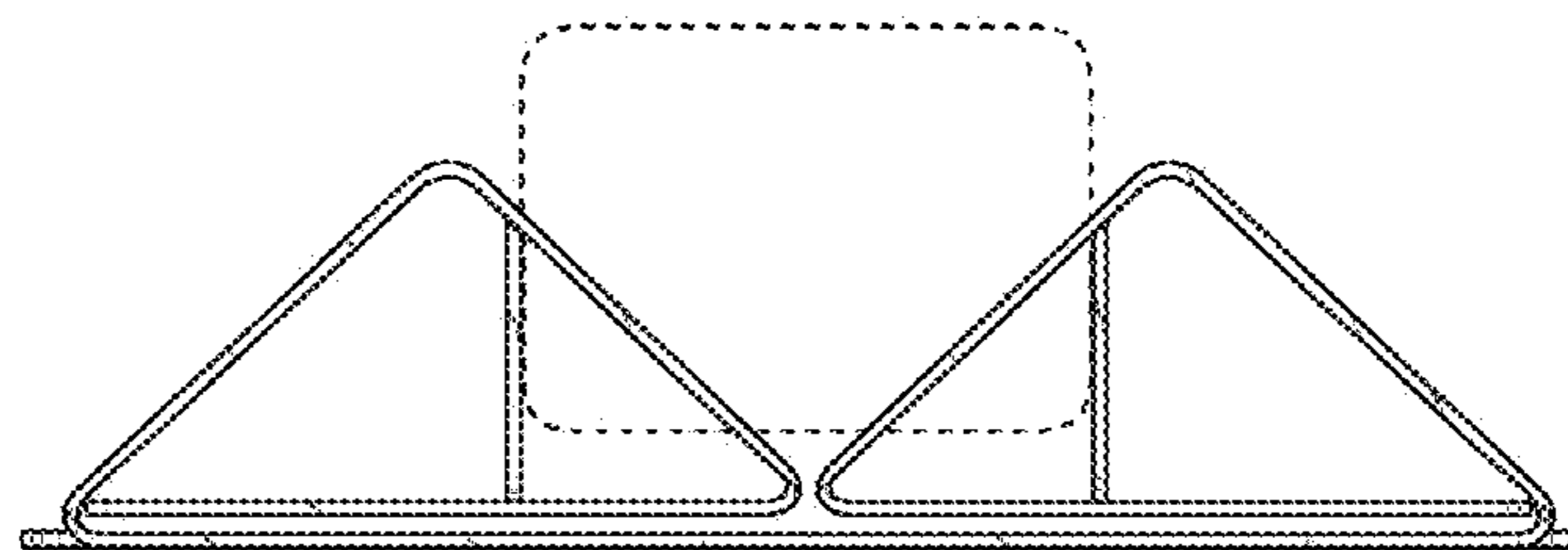


FIG. 5

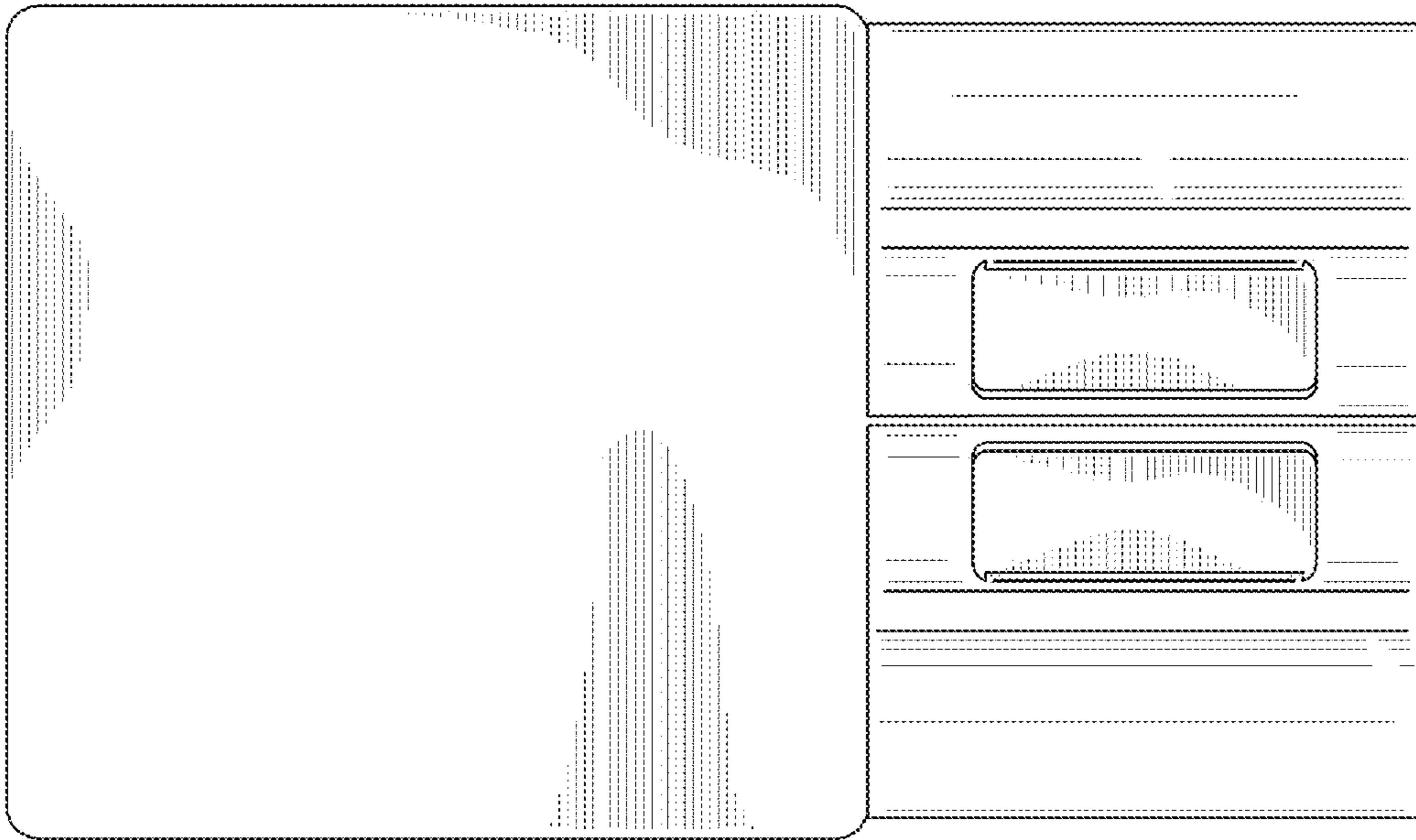


FIG. 6

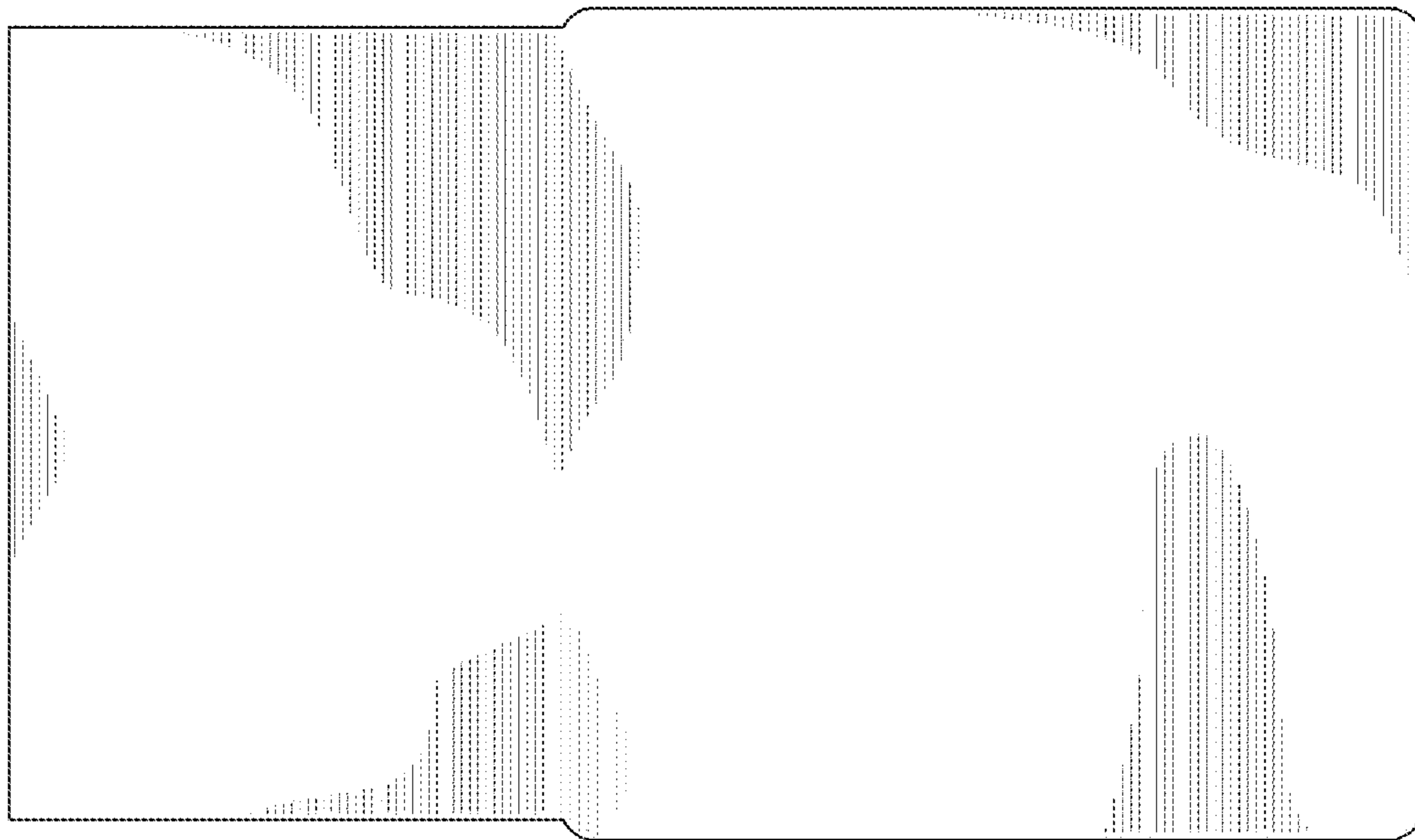


FIG. 7

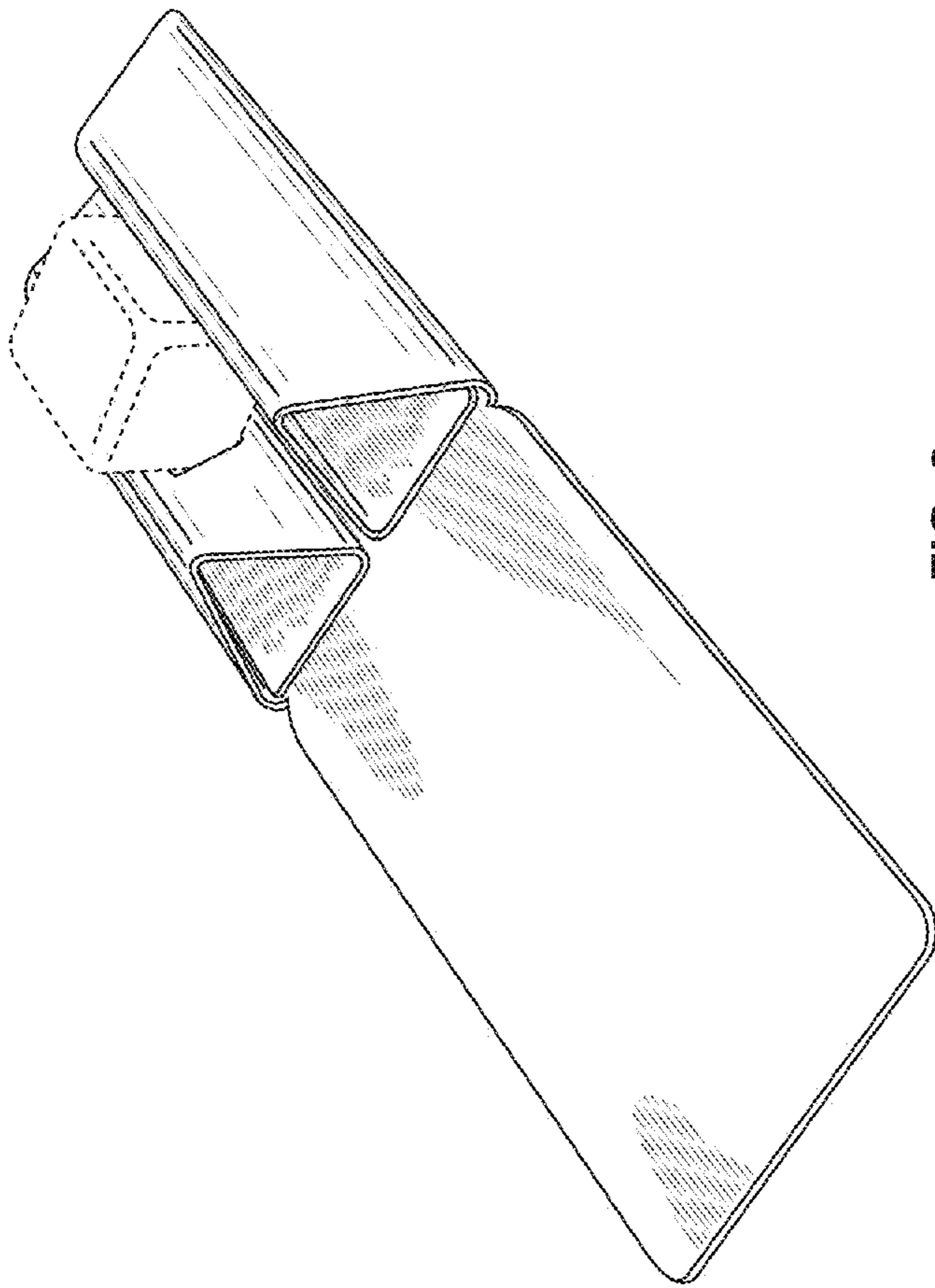


FIG. 8

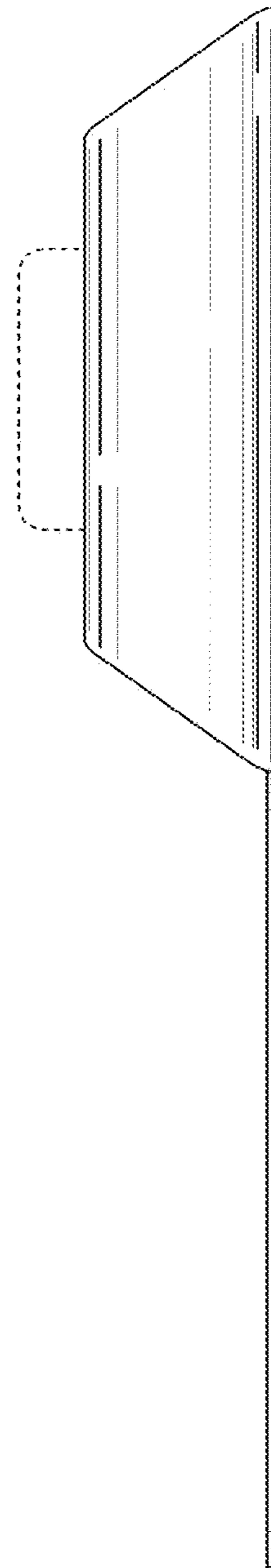


FIG. 9

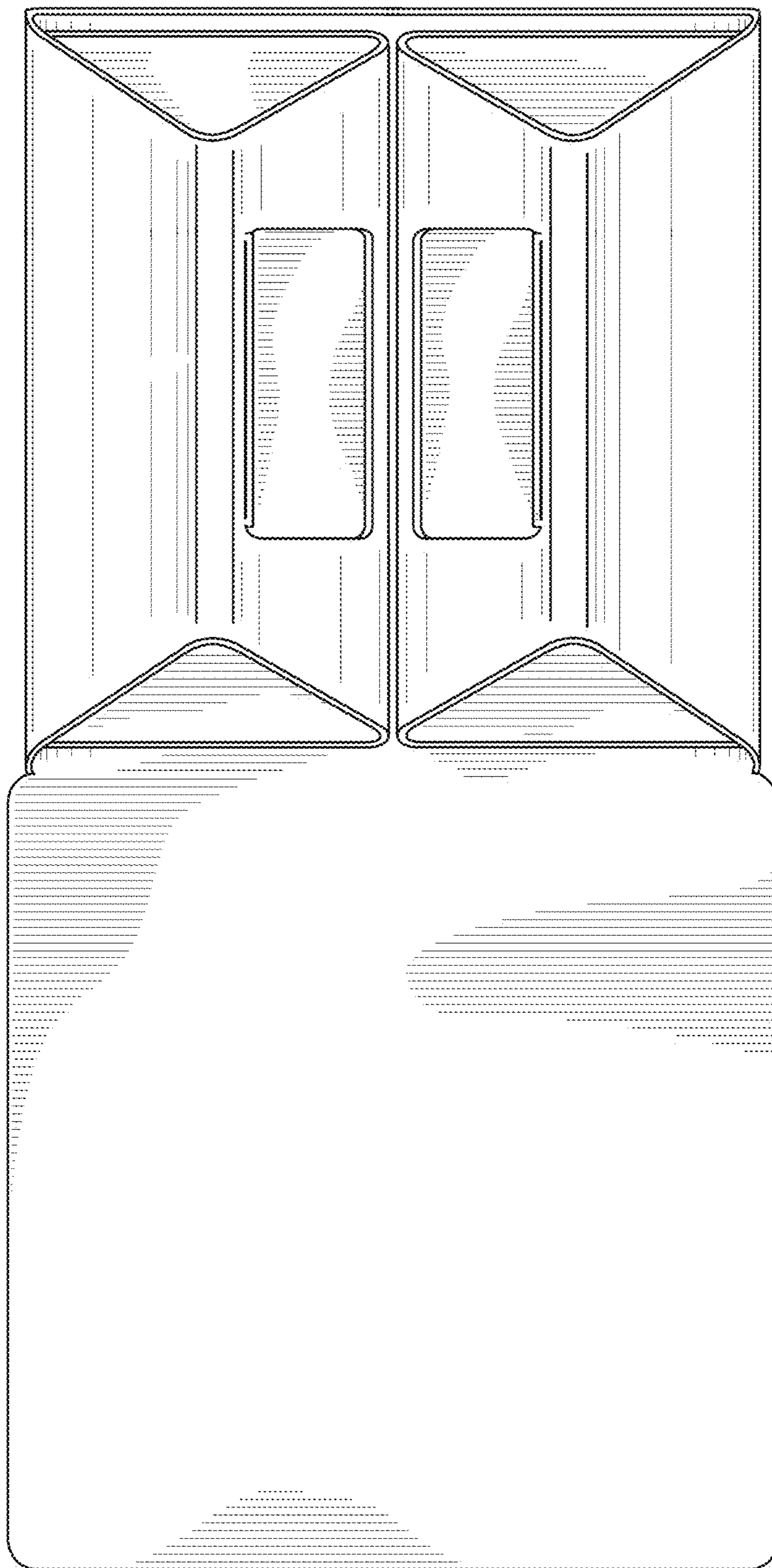


FIG. 10