



US00D711254S

(12) **United States Design Patent**
Madda et al.

(10) **Patent No.:** **US D711,254 S**

(45) **Date of Patent:** **** *Aug. 19, 2014**

(54) **SINGLE ARTICLE PACKAGING**

(75) Inventors: **Adrienne Madda**, Chicago, IL (US);
Peter Ehling, Chicago, IL (US); **Katie Hernandez**, Chicago, IL (US)

(73) Assignee: **Wm. Wrigley Jr. Company**, Chicago, IL (US)

(*) Notice: This patent is subject to a terminal disclaimer.

(**) Term: **14 Years**

(21) Appl. No.: **29/431,179**

(22) Filed: **Sep. 4, 2012**

(51) **LOC (10) Cl.** **09-03**

(52) **U.S. Cl.**
USPC **D9/759**; D9/433

(58) **Field of Classification Search**
USPC D9/759, 756, 758, 760, 761, 414, 420,
D9/422, 430-433; D7/504; 229/198.2,
229/103.2, 115; 248/152; 206/427, 780,
206/485; 211/85.4, 73
See application file for complete search history.

(56) **References Cited**

U.S. PATENT DOCUMENTS

3,428,235	A *	2/1969	Randazzo	206/427
3,437,193	A *	4/1969	Freeman	206/780
4,181,220	A *	1/1980	Zicko	206/315.2
4,218,086	A *	8/1980	Klygis	294/87.2
D261,484	S *	10/1981	Haubert	D9/759
4,300,683	A *	11/1981	Roccaforte	206/485
4,305,500	A *	12/1981	Jaeschke	206/153
4,549,654	A *	10/1985	Tiesman	206/486
D283,303	S *	4/1986	Montealegre	D9/759
4,607,784	A *	8/1986	Calabrese	229/115
D287,464	S *	12/1986	Mode	D9/759
4,671,404	A *	6/1987	Wall et al.	248/150
D336,014	S *	6/1993	Castro	D7/504
5,351,815	A *	10/1994	Fogle et al.	206/153

5,417,341	A *	5/1995	Petrikis et al.	220/592.25
D398,429	S *	9/1998	LeBlanc et al.	D34/6
D411,102	S *	6/1999	Planchard	D9/415
D427,056	S *	6/2000	Trace et al.	D9/713
6,273,278	B1 *	8/2001	Enyedy et al.	211/85.4
D469,692	S *	2/2003	Meeker et al.	D9/432
6,615,984	B2 *	9/2003	Saulas et al.	206/427

(Continued)

Primary Examiner — Mark Goodwin

(74) *Attorney, Agent, or Firm* — McAndrews, Held & Malloy, Ltd.

(57) **CLAIM**

The ornamental design for single article packaging, as shown and described.

DESCRIPTION

FIG. 1 is a perspective view of the single article packaging showing an article positioned in the packaging in broken lines. The broken lines shown in any of the Figures are for the purpose of illustrating the environmental structure of the single article packaging and are not part of the claimed design.

FIG. 2 is a front view of the single article packaging of FIG. 1.

FIG. 3 is a back view of the single article packaging of FIG. 1.

FIG. 4 is a left side view of the single article packaging of FIG. 1.

FIG. 5 is a right side view of the single article packaging of FIG. 1.

FIG. 6 is a top view of the single article packaging of FIG. 1.

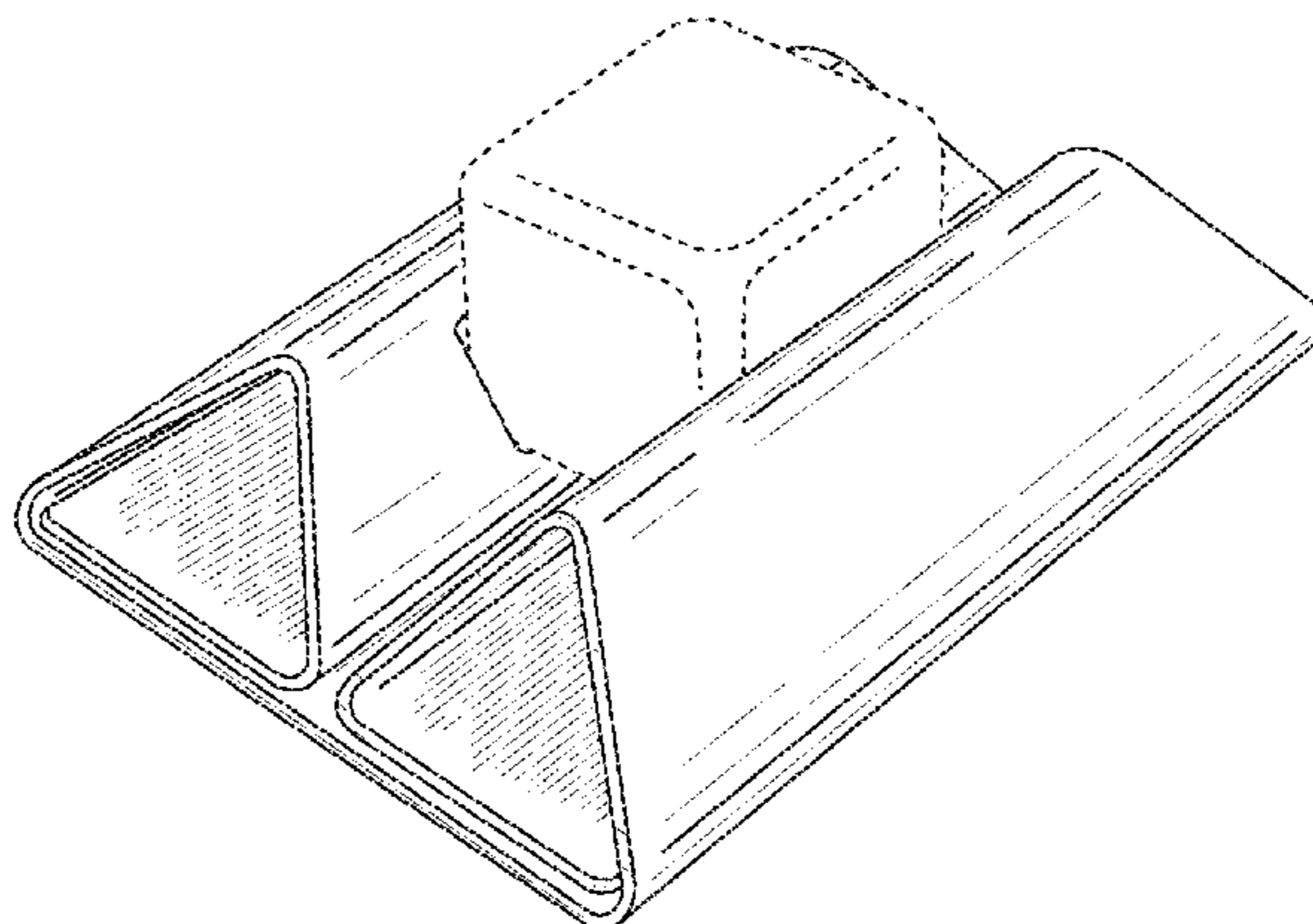
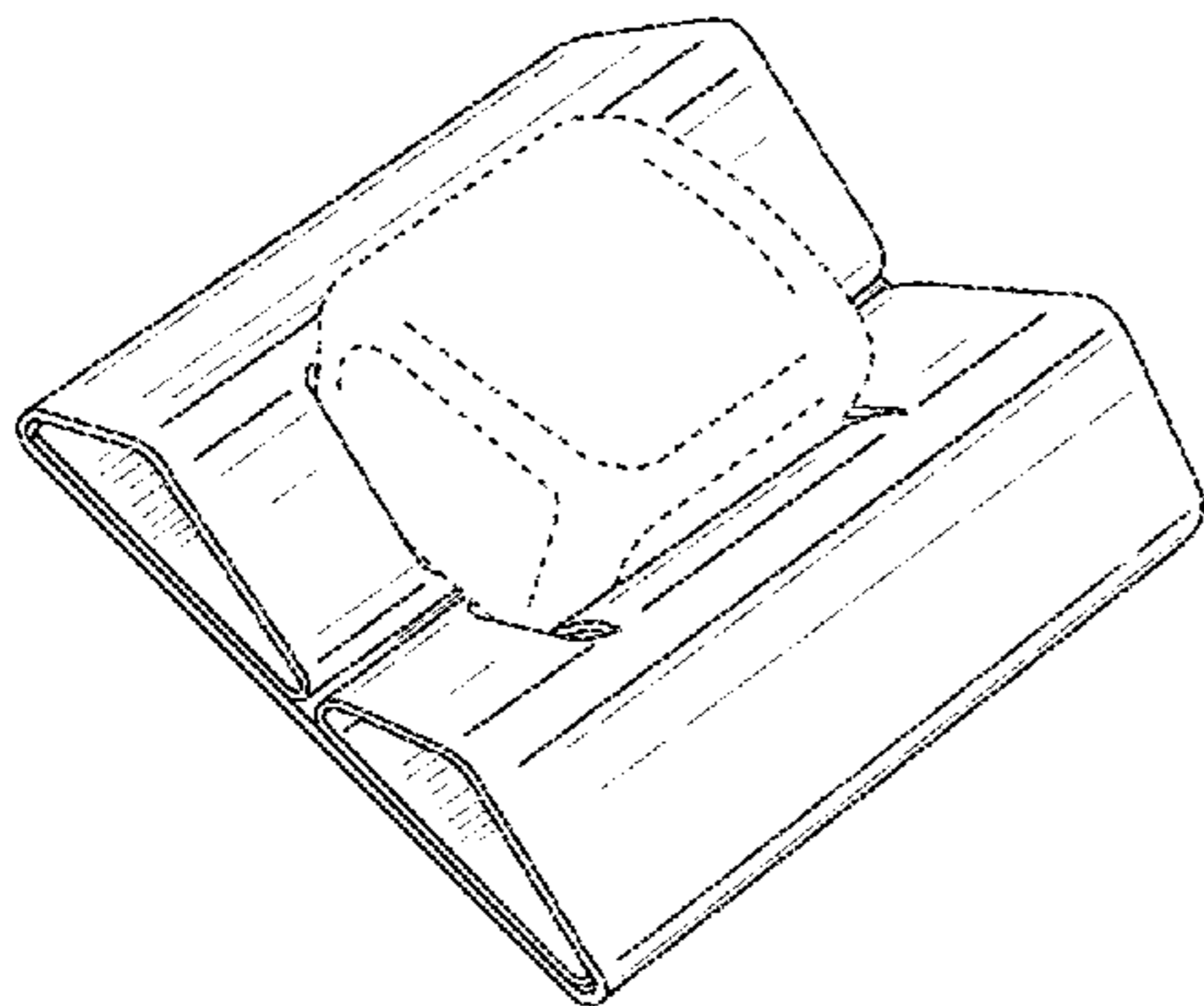
FIG. 7 is a bottom view of the single article packaging of FIG. 1.

FIG. 8 is a perspective view of an alternative embodiment of the single article packaging of FIG. 1.

FIG. 9 is a front view of the alternative embodiment of the single article packaging of FIG. 8; and,

FIG. 10 is a top view of the alternative embodiment of the single article packaging of FIG. 8.

1 Claim, 4 Drawing Sheets



(56)

References Cited

U.S. PATENT DOCUMENTS

D494,859	S *	8/2004	Keberlein	D9/416
D503,337	S *	3/2005	Selby	D9/433
6,926,196	B2 *	8/2005	Testerman et al.	229/198.2
7,219,830	B2 *	5/2007	West	229/115
7,347,326	B2 *	3/2008	Baechle	206/453
D601,009	S *	9/2009	Shinn	D9/415
7,699,211	B2 *	4/2010	Holloway	229/115
7,814,821	B2 *	10/2010	Chenel	89/1.13
D637,904	S *	5/2011	Anderson et al.	D9/430
D641,617	S *	7/2011	Steenberg	D9/431
8,052,103	B2 *	11/2011	Ferraro et al.	248/174
D672,233	S *	12/2012	Green	D9/431
D683,214	S *	5/2013	McAdam	D9/433
D684,463	S *	6/2013	Elfstrum et al.	D9/430
8,459,190	B2 *	6/2013	Erdie	108/51.3
D695,102	S *	12/2013	Keberlein et al.	D9/416
2004/0084513	A1 *	5/2004	Testerman et al.	229/115
2007/0236030	A1 *	10/2007	Chenel	294/137

* cited by examiner

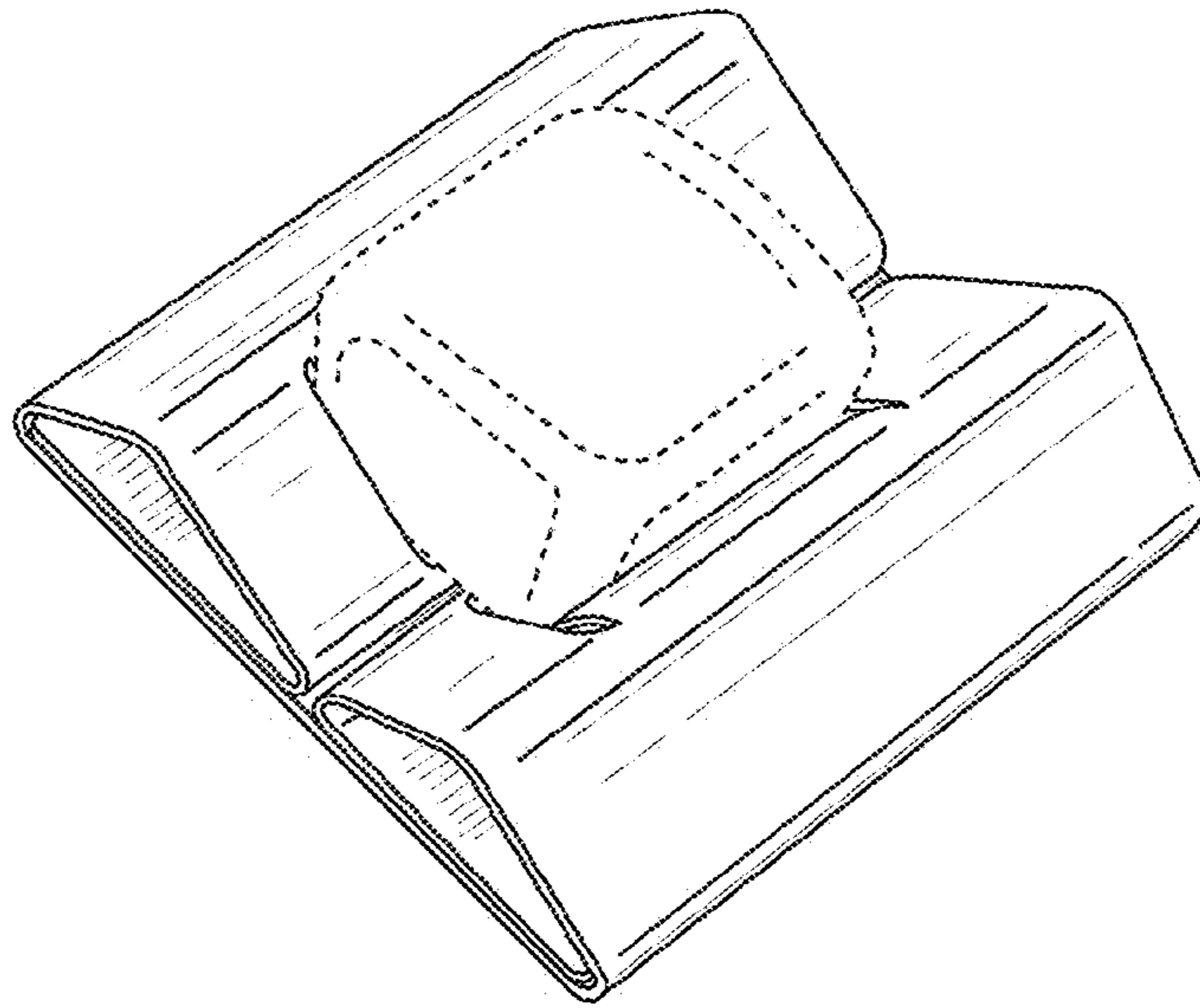


FIG. 1

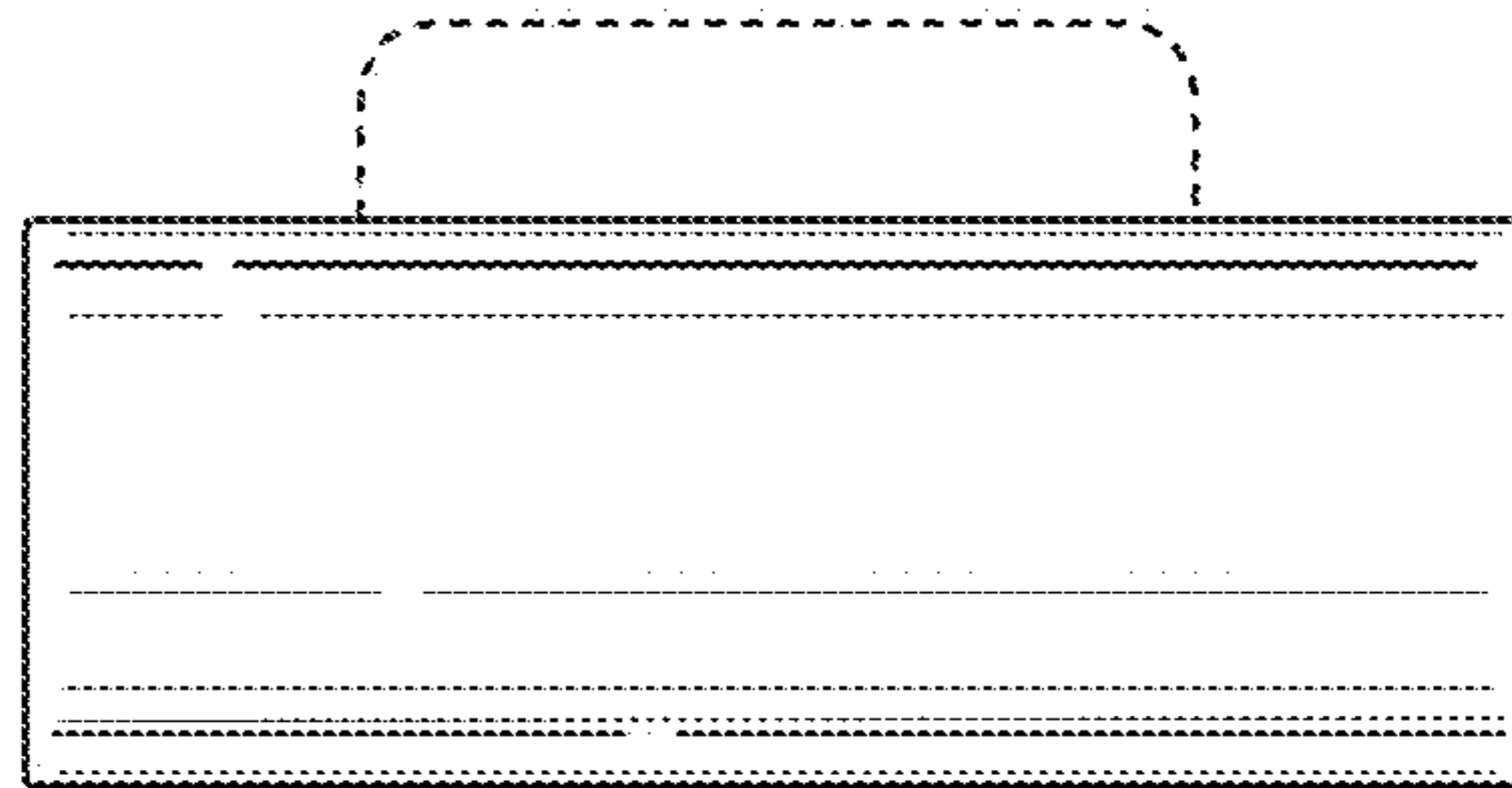


FIG. 2

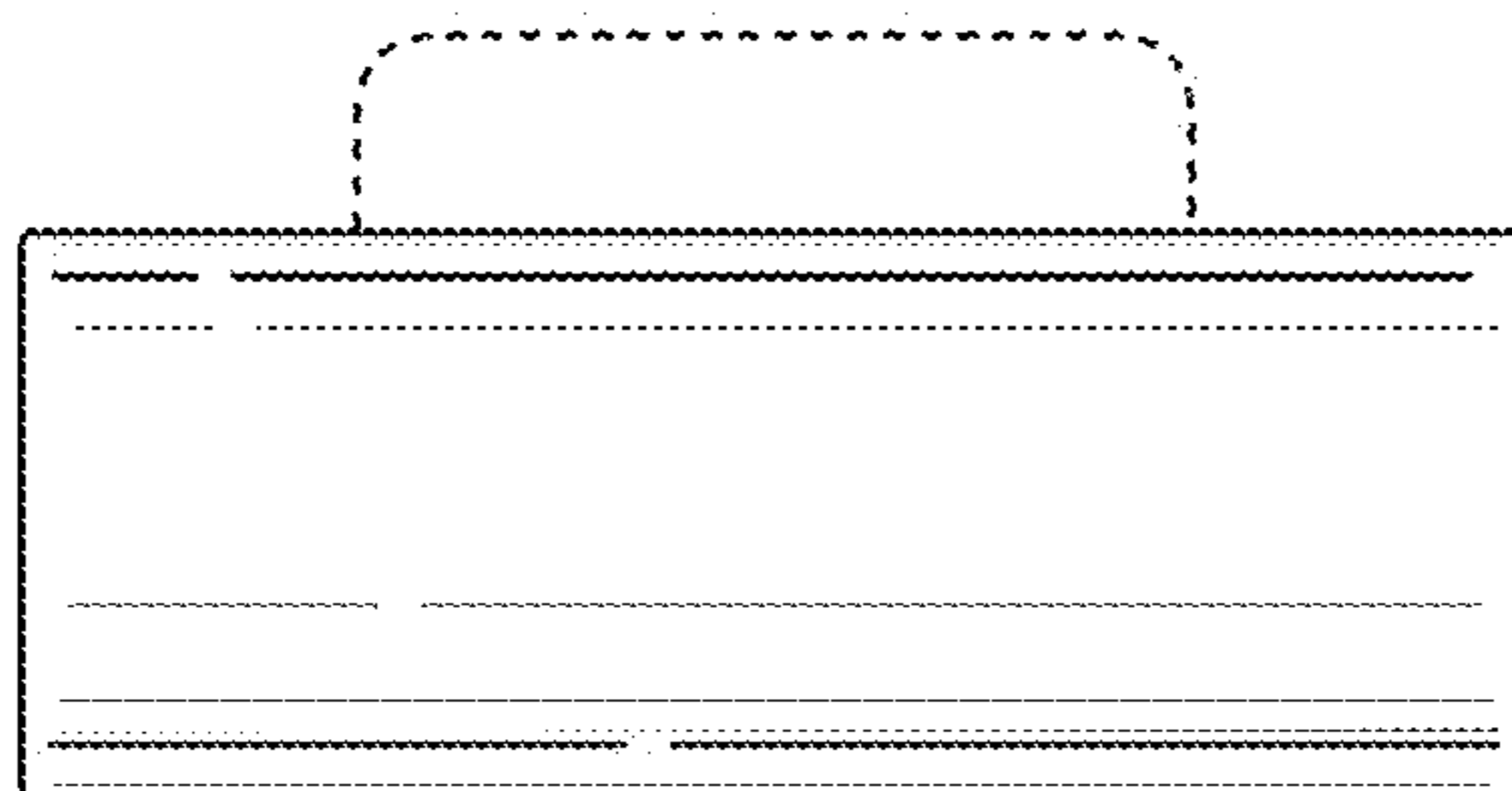


FIG. 3

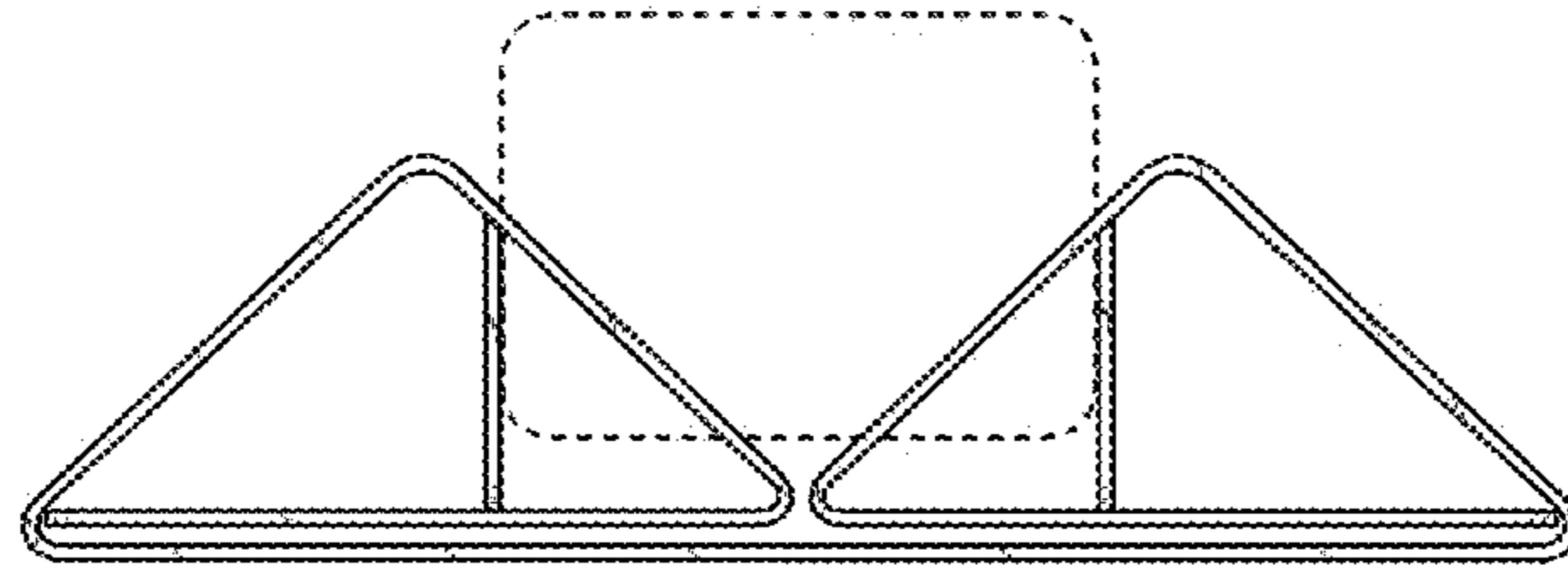


FIG. 4

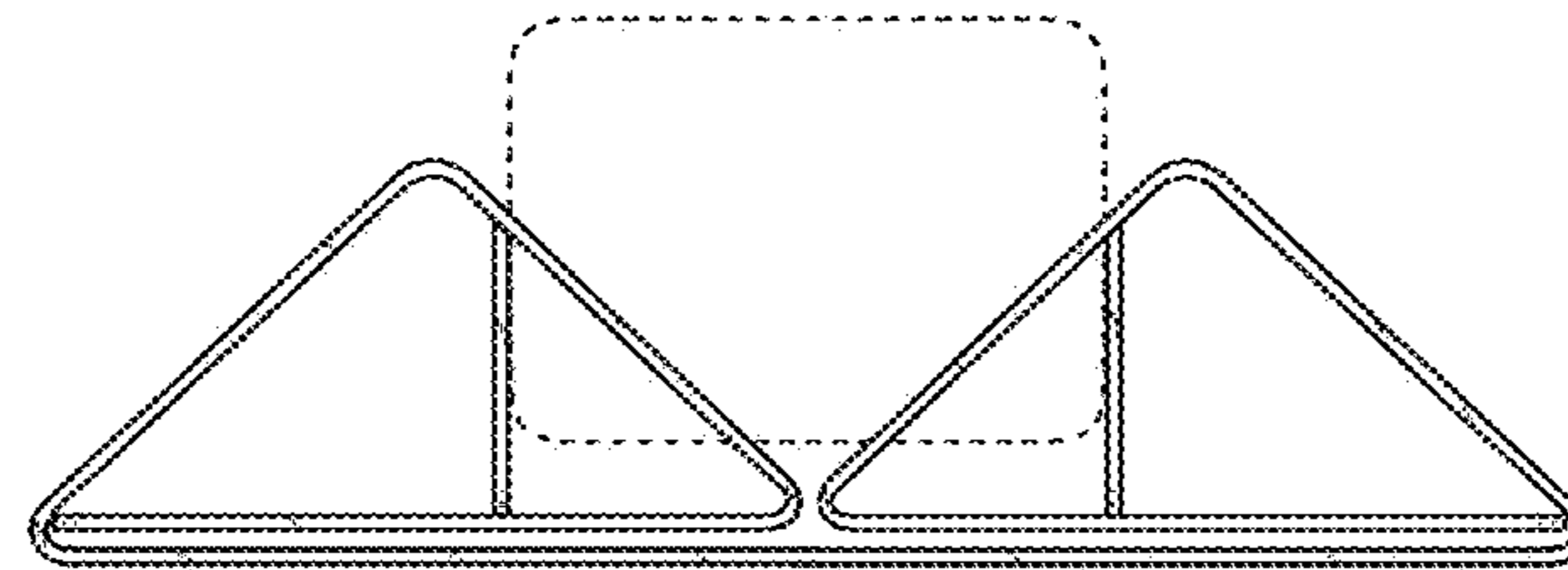


FIG. 5

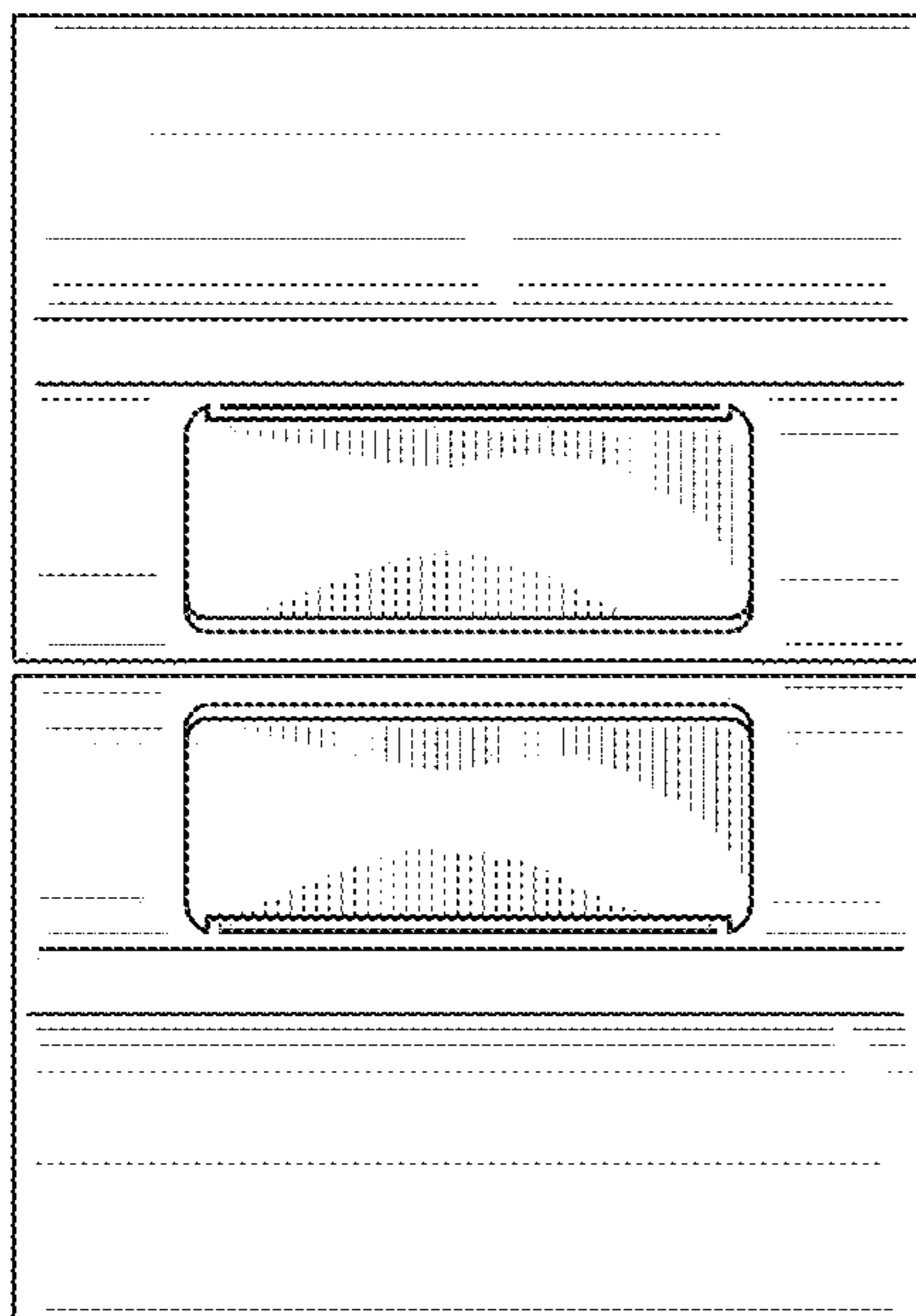


FIG. 6



FIG. 7

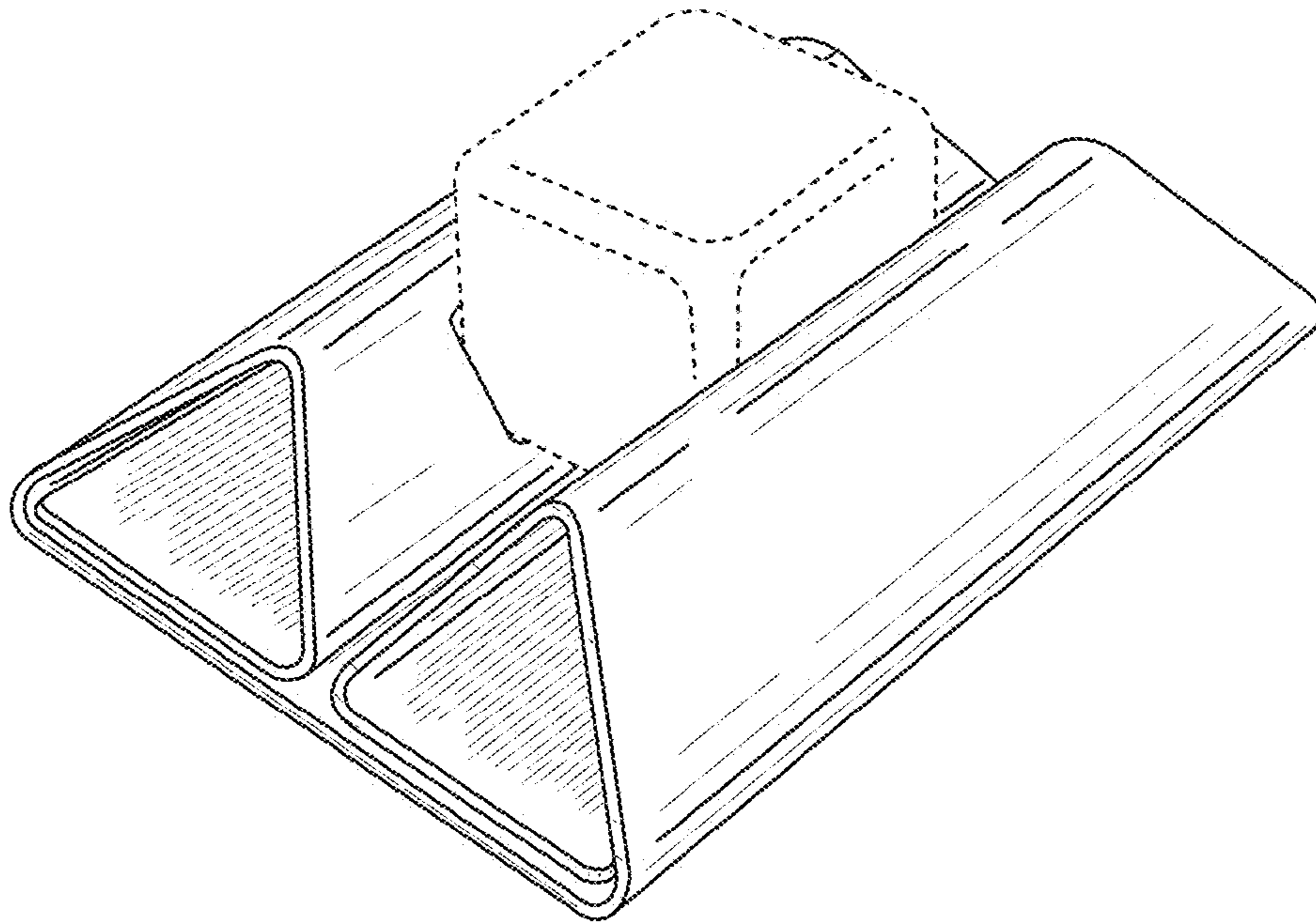


FIG. 8

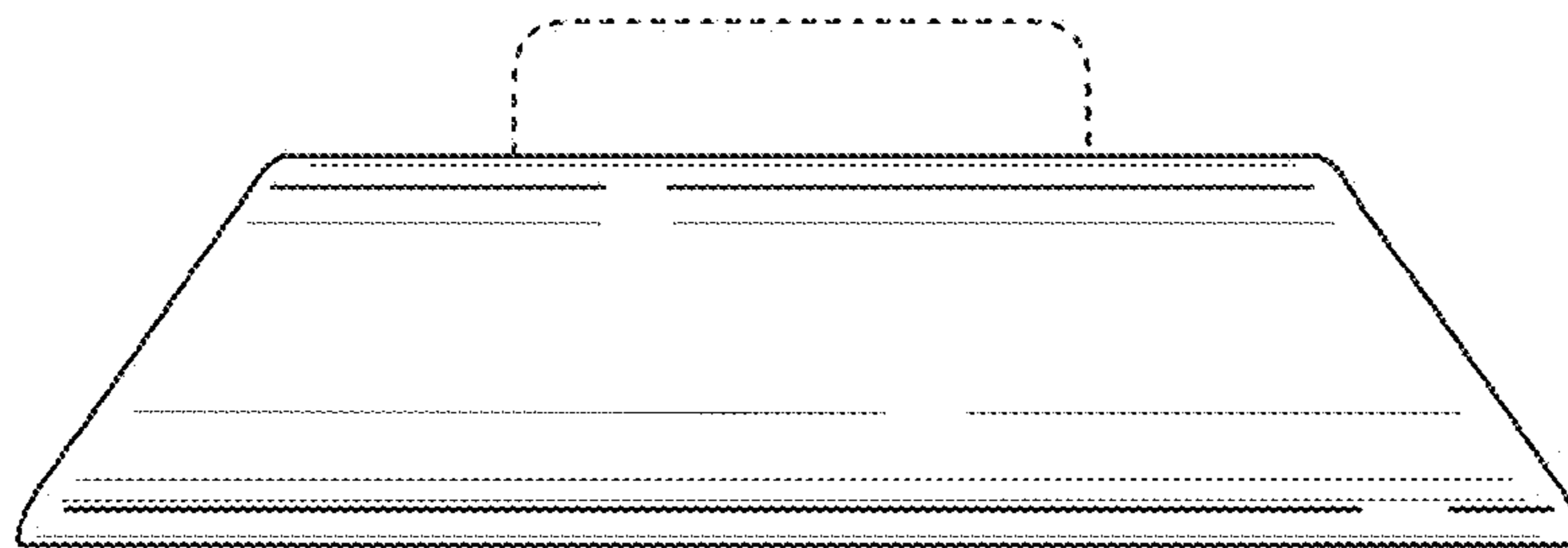


FIG. 9

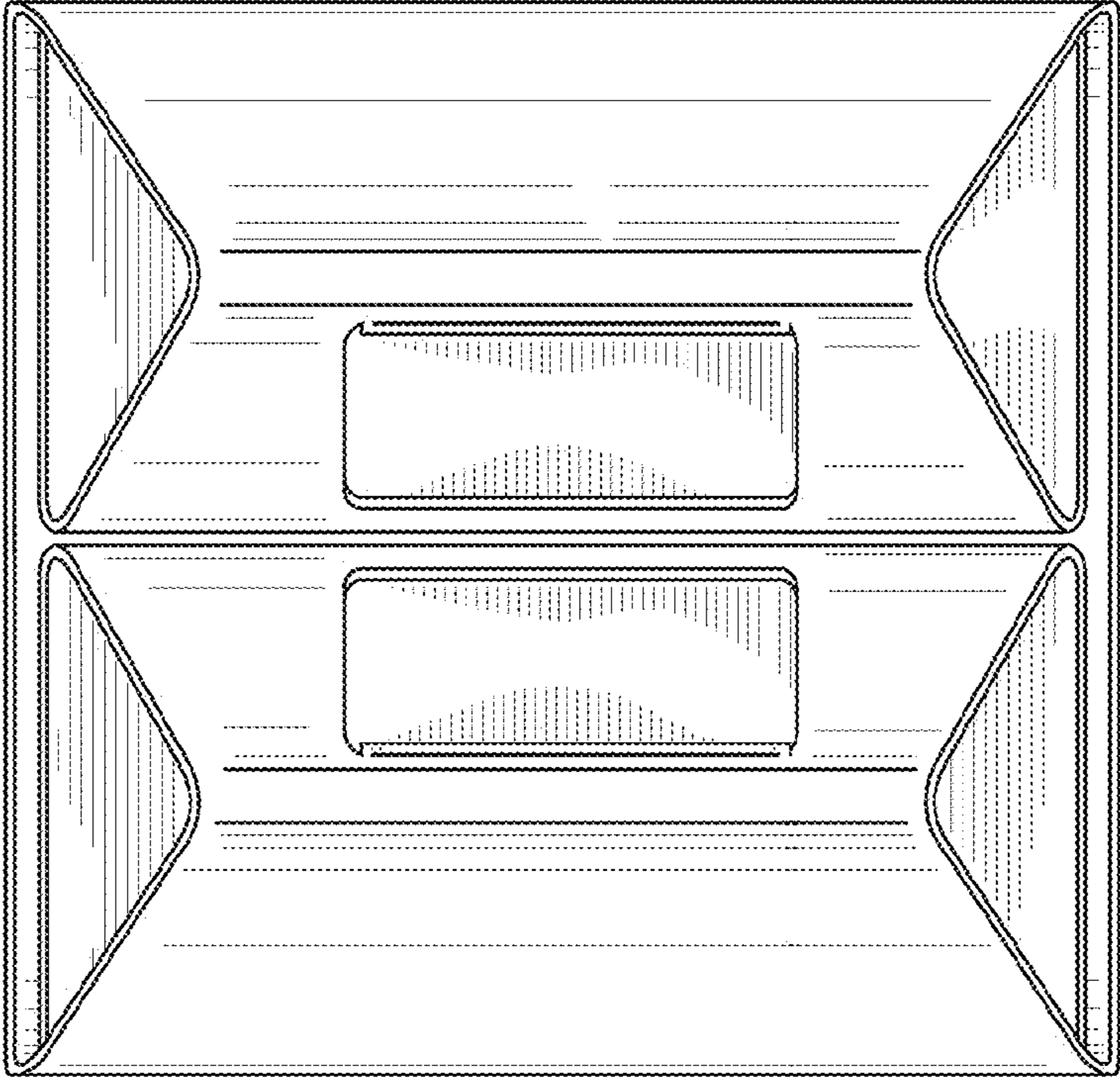


FIG. 10