



US00D711253S

(12) **United States Design Patent**  
**Rathbone et al.**

(10) **Patent No.:** **US D711,253 S**  
(45) **Date of Patent:** **\*\* Aug. 19, 2014**

(54) **MULTI-ARTICLE PACKAGING WITH FLAP**

(75) Inventors: **Jonathan E Rathbone**, Chicago, IL (US); **Peter Ehling**, Chicago, IL (US)

(73) Assignee: **Wm. Wrigley Jr. Company**, Chicago, IL (US)

(\*\*) Term: **14 Years**

(21) Appl. No.: **29/431,178**

(22) Filed: **Sep. 4, 2012**

(51) **LOC (10) Cl.** ..... **09-03**

(52) **U.S. Cl.**  
USPC ..... **D9/759; D9/433**

(58) **Field of Classification Search**  
USPC ..... D9/759, 756, 758, 760, 761, 414, 420, D9/422, 430-433; D7/504; 229/198.2, 229/103.2, 115; 248/152; 206/427, 780, 206/485; 211/85.4, 73

See application file for complete search history.

(56) **References Cited**

**U.S. PATENT DOCUMENTS**

3,428,235	A *	2/1969	Randazzo	.....	206/427
3,437,193	A *	4/1969	Freeman	.....	206/780
4,181,220	A *	1/1980	Zicko	.....	206/315.2
4,218,086	A *	8/1980	Klygis	.....	294/87.2
D261,484	S *	10/1981	Haubert	.....	D9/759
4,300,683	A *	11/1981	Roccaforte	.....	206/485
4,305,500	A *	12/1981	Jaeschke	.....	206/153
4,549,654	A *	10/1985	Tiesman	.....	206/486
D283,303	S *	4/1986	Montealegre	.....	D9/759
4,607,784	A *	8/1986	Calabrese	.....	229/115
D287,464	S *	12/1986	Mode	.....	D9/759
4,671,404	A *	6/1987	Wall et al.	.....	248/150
D336,014	S *	6/1993	Castro	.....	D7/504
5,351,815	A *	10/1994	Fogle et al.	.....	206/153
5,417,341	A *	5/1995	Petrickis et al.	.....	220/592.25
D398,429	S *	9/1998	LeBlanc et al.	.....	D34/6
D411,102	S *	6/1999	Planchard	.....	D9/415
D427,056	S *	6/2000	Irace et al.	.....	D9/713

6,273,278	B1 *	8/2001	Enyedy et al.	.....	211/85.4
D469,692	S *	2/2003	Meeker et al.	.....	D9/432
6,615,984	B2 *	9/2003	Saulas et al.	.....	206/427
D494,859	S *	8/2004	Keberlein	.....	D9/416
D503,337	S *	3/2005	Selby	.....	D9/433

(Continued)

*Primary Examiner* — Mark Goodwin

(74) *Attorney, Agent, or Firm* — McAndrews, Held & Malloy, Ltd.

(57) **CLAIM**

The ornamental design for multi-article packaging with flap, as shown and described.

**DESCRIPTION**

FIG. 1 is a perspective view of the multi-article packaging with flap showing articles positioned in the packaging in broken lines. The broken lines shown in any of the Figures are for the purpose of illustrating the environmental structure of the multi-article packaging with flap and are not part of the claimed design.

FIG. 2 is a front view of the multi-article packaging with flap of FIG. 1.

FIG. 3 is a back view of the multi-article packaging with flap of FIG. 1.

FIG. 4 is a left side view of the multi-article packaging with flap of FIG. 1.

FIG. 5 is a right side view of the multi-article packaging with flap of FIG. 1.

FIG. 6 is a top view of the multi-article packaging with flap of FIG. 1.

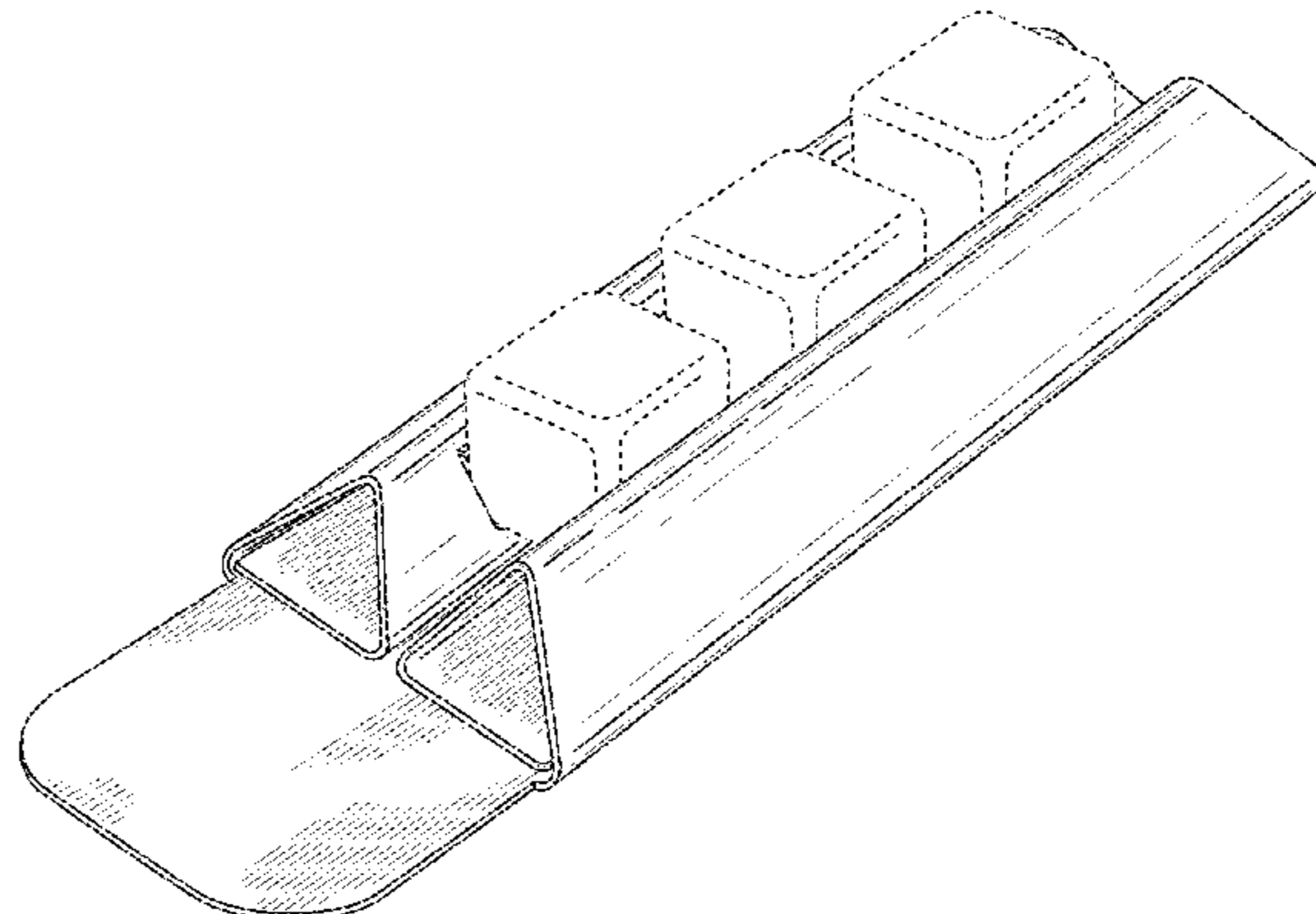
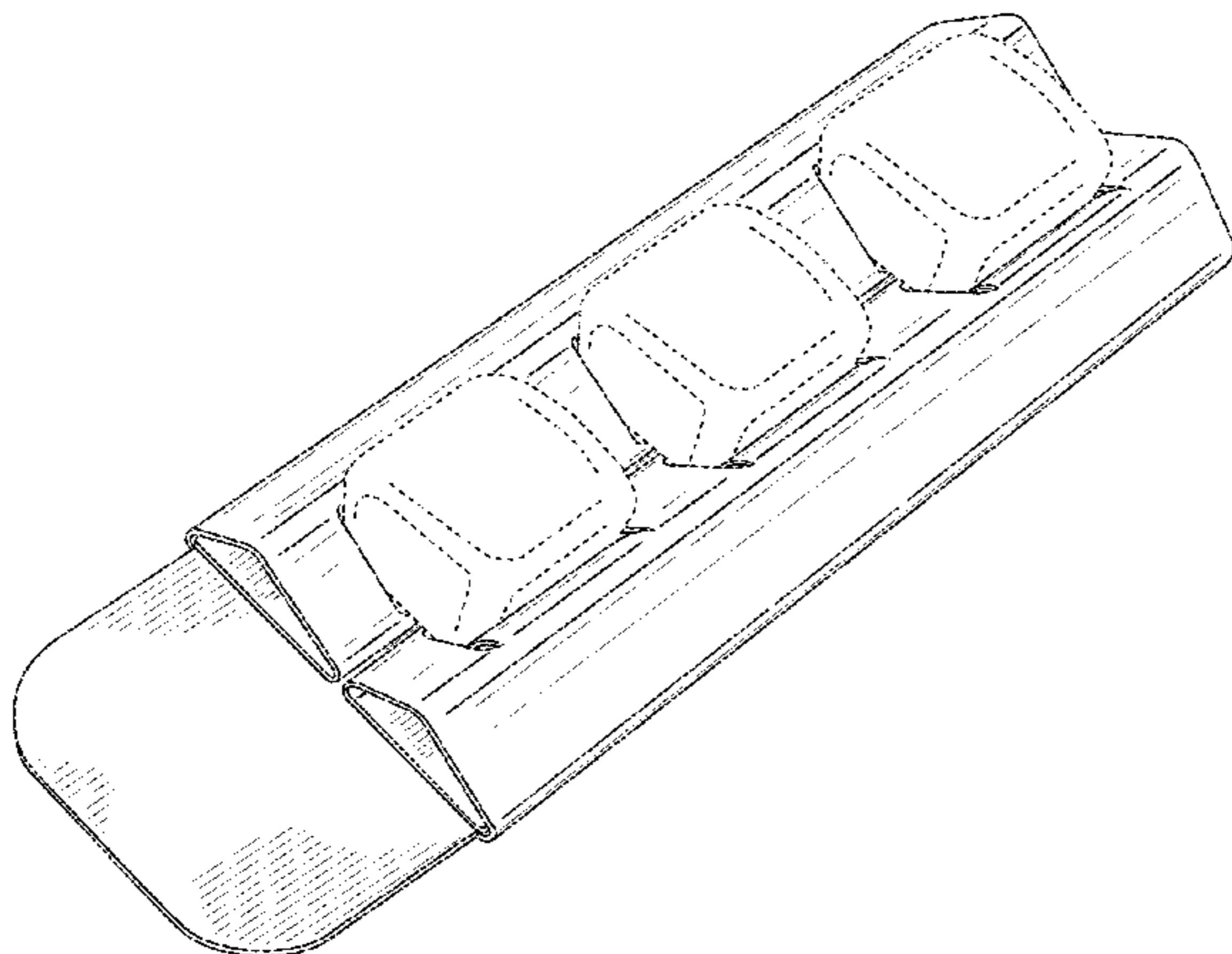
FIG. 7 is a bottom view of the multi-article packaging with flap of FIG. 1.

FIG. 8 is a perspective view of an alternative embodiment of the multi-article packaging with flap of FIG. 1.

FIG. 9 is a front view of the alternative embodiment of the multi-article packaging with flap of FIG. 8; and,

FIG. 10 is a top view of the alternative embodiment of the multi-article packaging with flap of FIG. 8.

**1 Claim, 6 Drawing Sheets**



(56)

**References Cited**

U.S. PATENT DOCUMENTS

6,926,196	B2 *	8/2005	Testerman et al. ....	229/198.2	D641,617	S *	7/2011	Steenberg .....	D9/431
7,219,830	B2 *	5/2007	West .....	229/115	8,052,103	B2 *	11/2011	Ferraro et al. ....	248/174
7,347,326	B2 *	3/2008	Baechle .....	206/453	D672,233	S *	12/2012	Green .....	D9/431
D601,009	S *	9/2009	Shinn .....	D9/415	D683,214	S *	5/2013	McAdam .....	D9/433
7,699,211	B2 *	4/2010	Holloway .....	229/115	D684,463	S *	6/2013	Elfstrum et al. ....	D9/430
7,814,821	B2 *	10/2010	Chenel .....	89/1.13	8,459,190	B2 *	6/2013	Erdie .....	108/51.3
D637,904	S *	5/2011	Anderson et al. ....	D9/430	D695,102	S *	12/2013	Keberlein et al. ....	D9/416
					2004/0084513	A1 *	5/2004	Testerman et al. ....	229/115
					2007/0236030	A1 *	10/2007	Chenel .....	294/137

\* cited by examiner

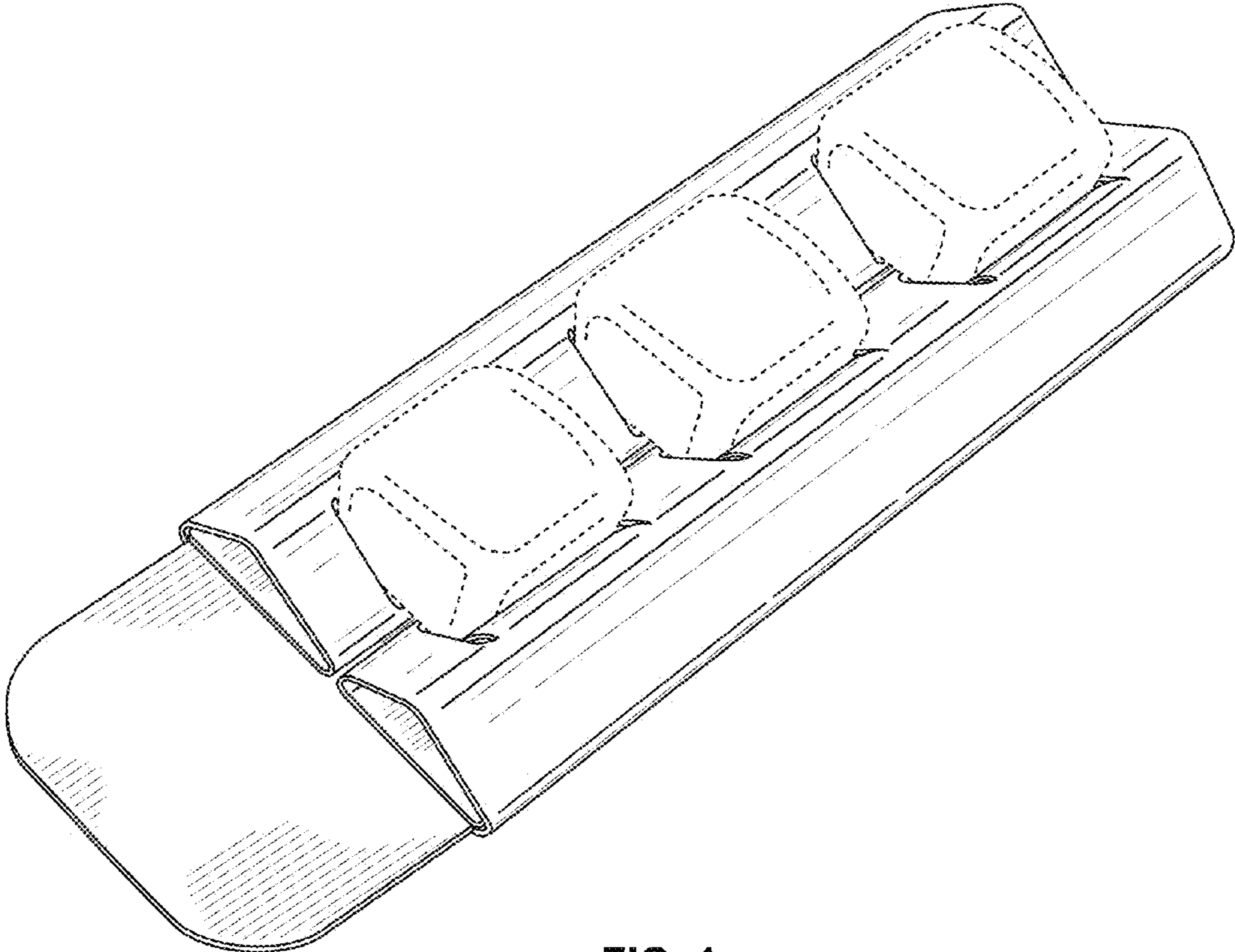


FIG. 1

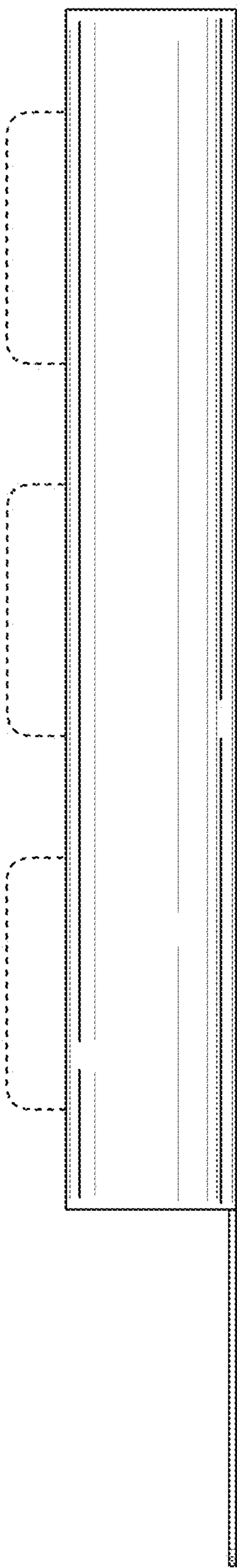


FIG. 2

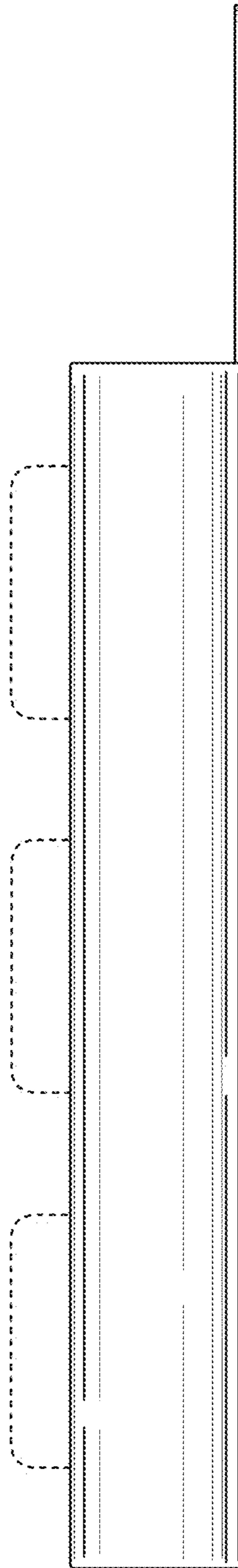


FIG. 3



FIG. 5

FIG. 4

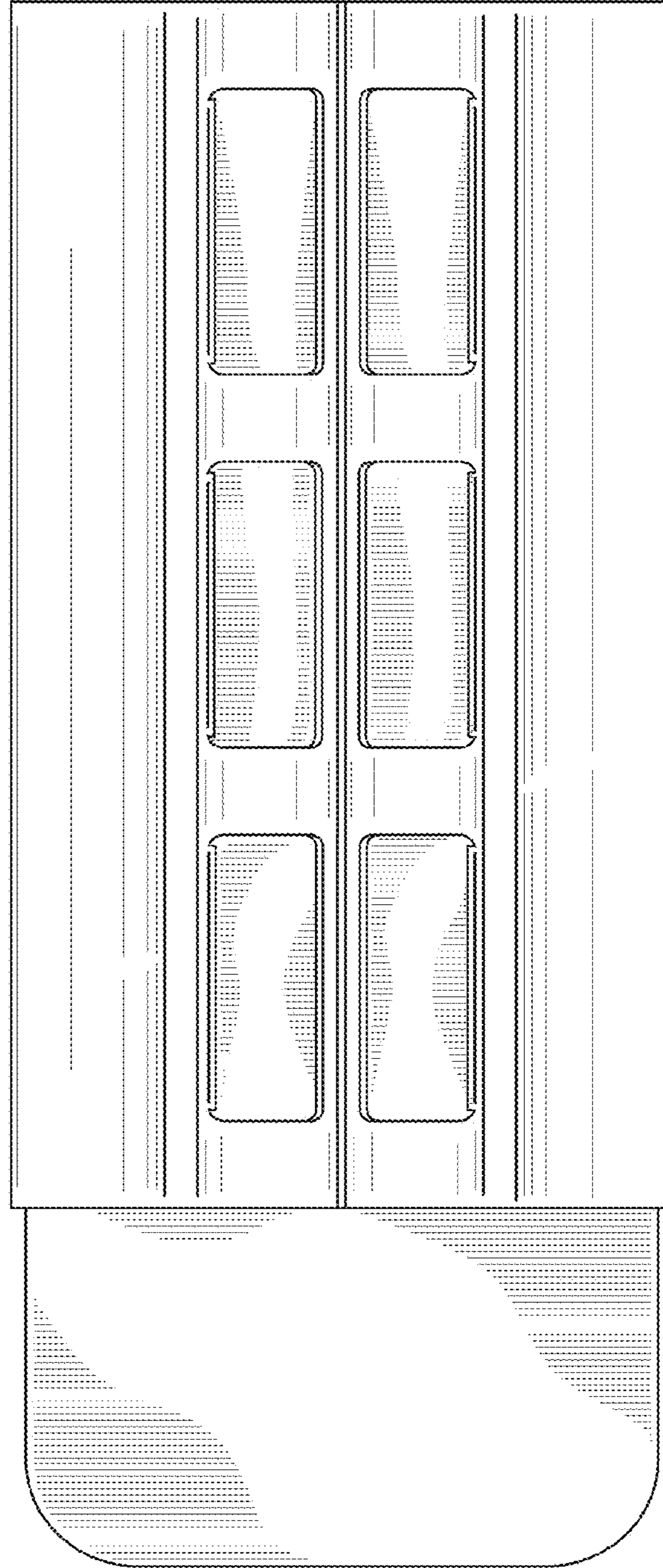


FIG. 6

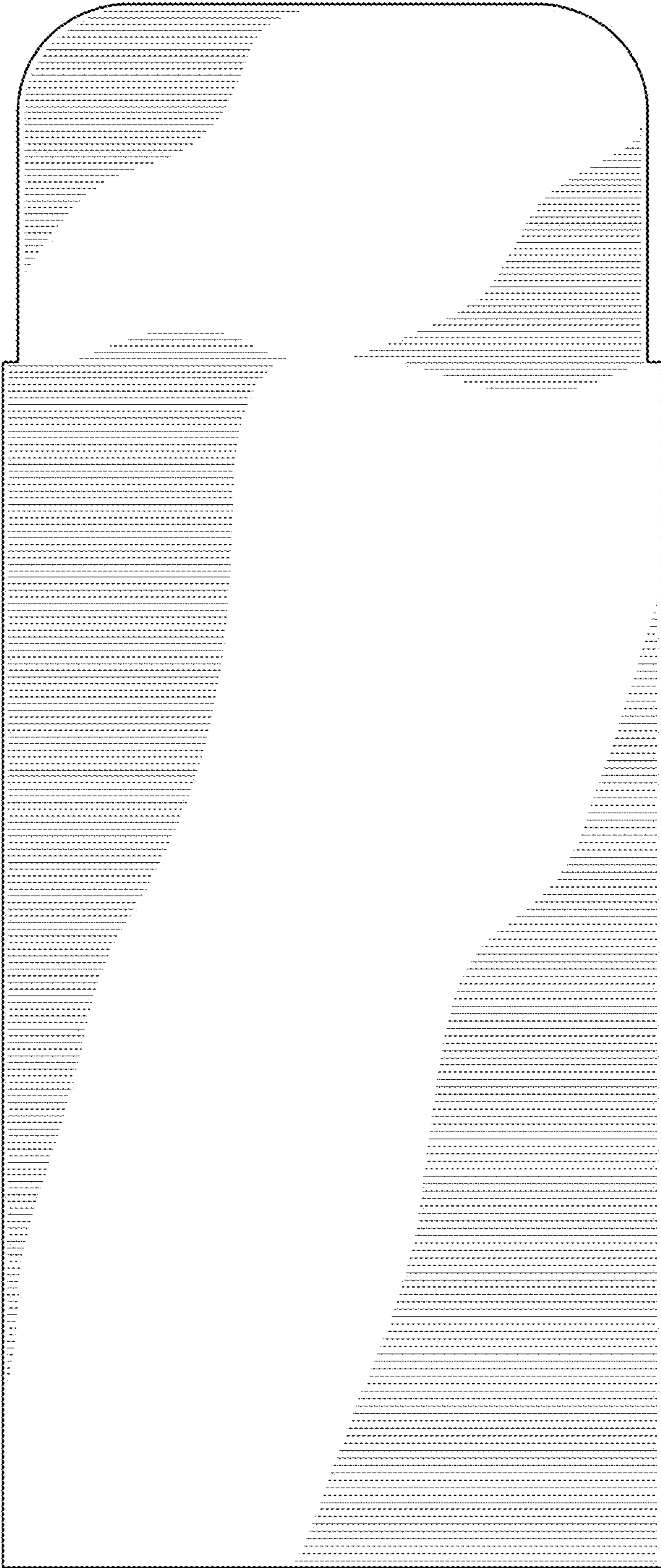


FIG. 7

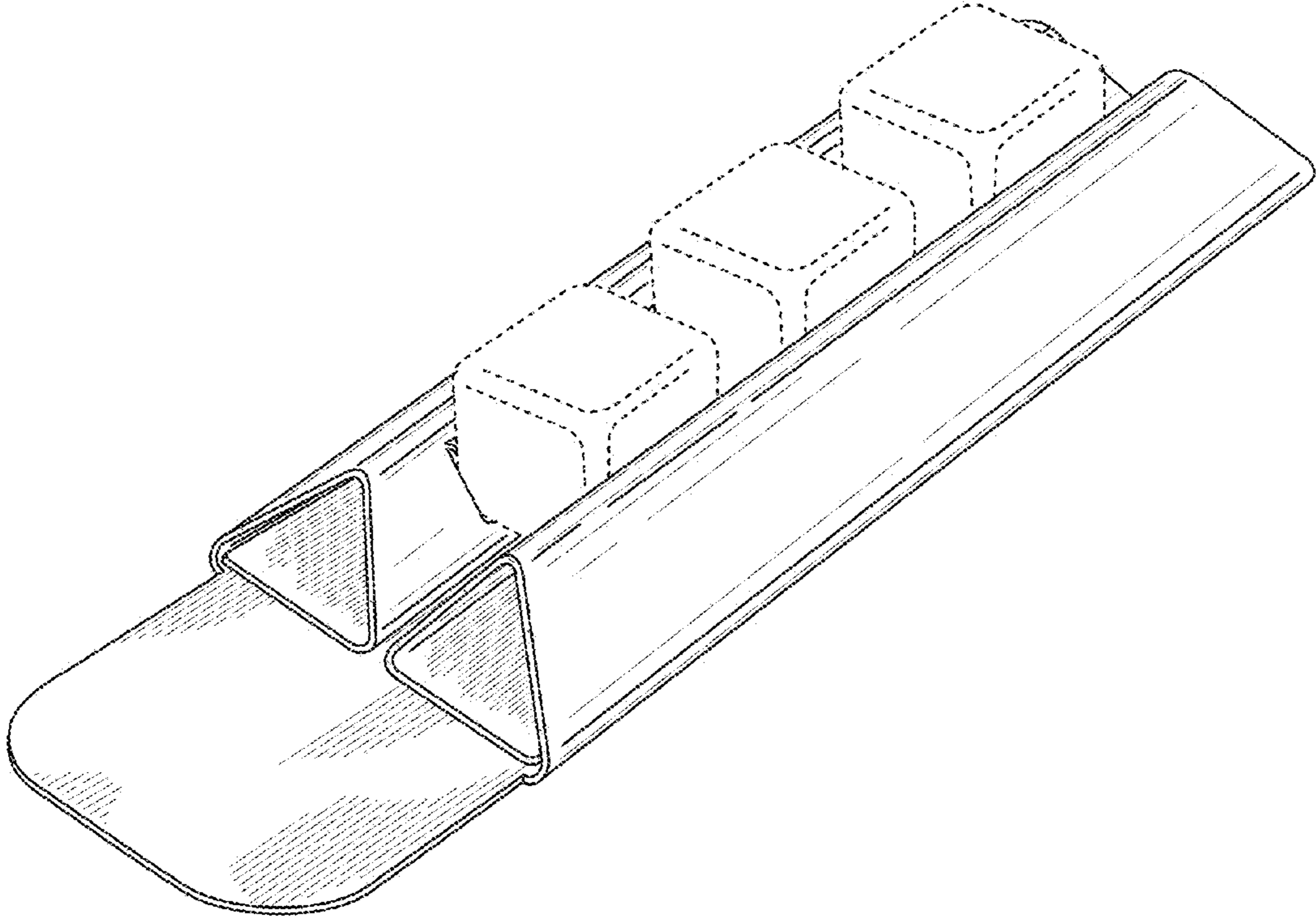


FIG. 8

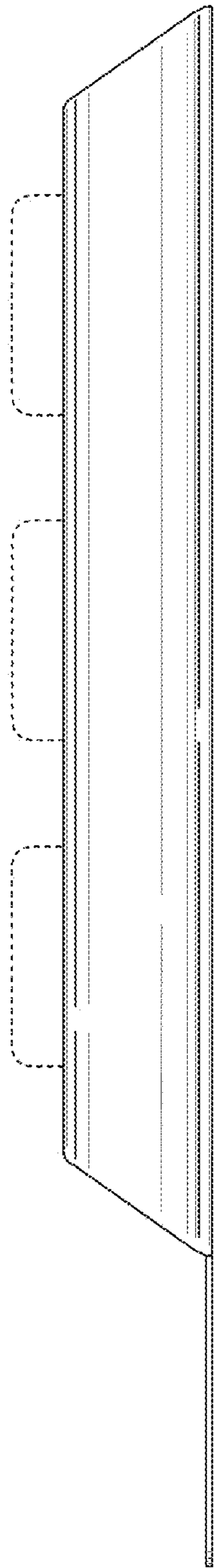


FIG. 9

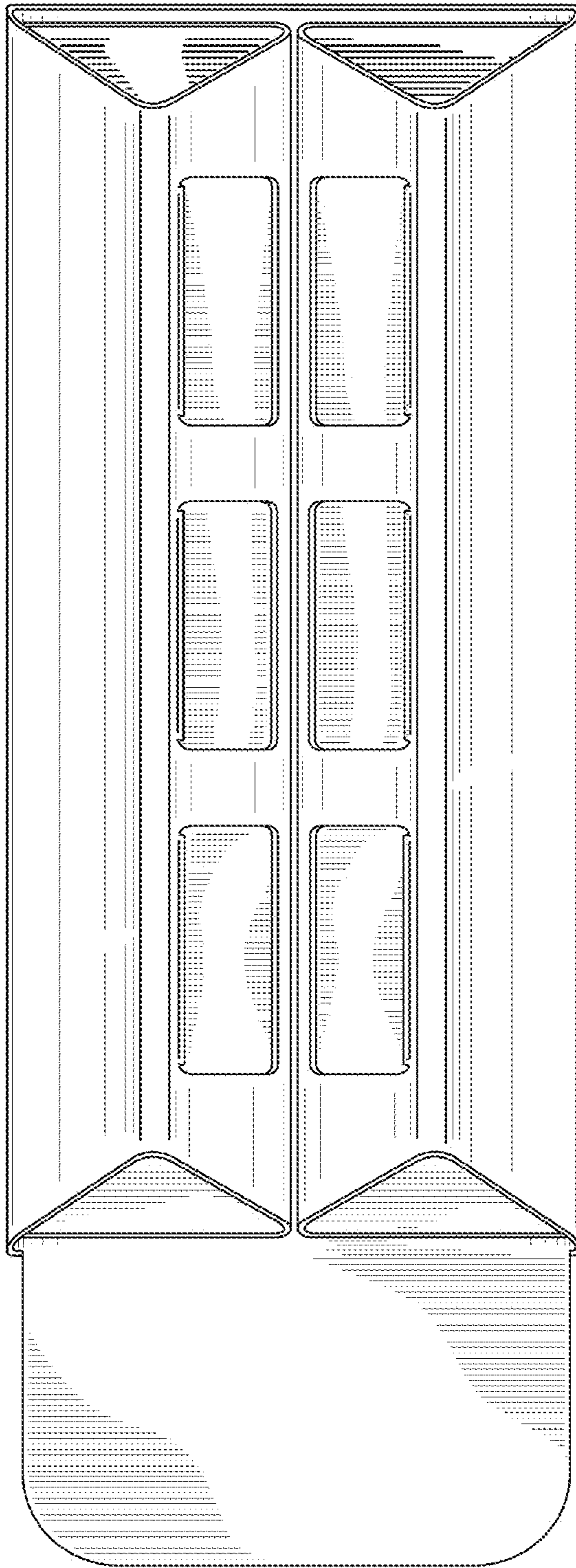


FIG. 10