



US00D711252S

(12) **United States Design Patent**  
**Rathbone et al.**

(10) **Patent No.:** **US D711,252 S**  
(45) **Date of Patent:** **\*\* Aug. 19, 2014**

(54) **MULTI-ARTICLE PACKAGING**

(75) Inventors: **Jonathan E Rathbone**, Chicago, IL (US); **Peter Ehling**, Chicago, IL (US)

(73) Assignee: **Wm. Wrigley Jr. Company**, Chicago, IL (US)

(\*\*) Term: **14 Years**

(21) Appl. No.: **29/431,177**

(22) Filed: **Sep. 4, 2012**

(51) **LOC (10) Cl.** ..... **09-03**

(52) **U.S. Cl.**  
USPC ..... **D9/759**

(58) **Field of Classification Search**

USPC ..... D9/759, 756, 758, 760, 761, 414, 420, D9/422, 430-433; D7/504; 229/198.2, 229/103.2, 115; 248/152; 206/427, 780, 206/485; 211/85.4, 73

See application file for complete search history.

(56) **References Cited**

**U.S. PATENT DOCUMENTS**

3,428,235	A *	2/1969	Randazzo	.....	206/427
3,437,193	A *	4/1969	Freeman	.....	206/780
4,181,220	A *	1/1980	Zicko	.....	206/315.2
4,218,086	A *	8/1980	Klygis	.....	294/87.2
D261,484	S *	10/1981	Haubert	.....	D9/759
4,300,683	A *	11/1981	Roccaforte	.....	206/485
4,305,500	A *	12/1981	Jaeschke	.....	206/153
4,549,654	A *	10/1985	Tiesman	.....	206/486
D283,303	S *	4/1986	Montealegre	.....	D9/759
4,607,784	A *	8/1986	Calabrese	.....	229/115
D287,464	S *	12/1986	Mode	.....	D9/759
4,671,404	A *	6/1987	Wall et al.	.....	248/150
D336,014	S *	6/1993	Castro	.....	D7/504
5,351,815	A *	10/1994	Fogle et al.	.....	206/153
5,417,341	A *	5/1995	Petrickis et al.	.....	220/592.25
D398,429	S *	9/1998	LeBlanc et al.	.....	D34/6

D411,102	S *	6/1999	Planchard	.....	D9/415
D427,056	S *	6/2000	Irace et al.	.....	D9/713
6,273,278	B1 *	8/2001	Enyedy et al.	.....	211/85.4
D469,692	S *	2/2003	Meeker et al.	.....	D9/432
6,615,984	B2 *	9/2003	Saulas et al.	.....	206/427
D494,859	S *	8/2004	Keberlein	.....	D9/416
D503,337	S *	3/2005	Selby	.....	D9/433
6,926,196	B2 *	8/2005	Testerman et al.	.....	229/198.2

(Continued)

*Primary Examiner* — Mark Goodwin

(74) *Attorney, Agent, or Firm* — McAndrews, Held & Malloy, Ltd.

(57) **CLAIM**

The ornamental design for multi-article packaging, as shown and described.

**DESCRIPTION**

FIG. 1 is a perspective view of the multi-article packaging showing articles positioned in the packaging in broken lines. The broken lines shown in any of the Figures are for the purpose of illustrating the environmental structure of the multi-article packaging and are not part of the claimed design. FIG. 2 is a front view of the multi-article packaging of FIG. 1. FIG. 3 is a back view of the multi-article packaging of FIG. 1. FIG. 4 is a left side view of the multi-article packaging of FIG. 1.

FIG. 5 is a right side view of the multi-article packaging of FIG. 1.

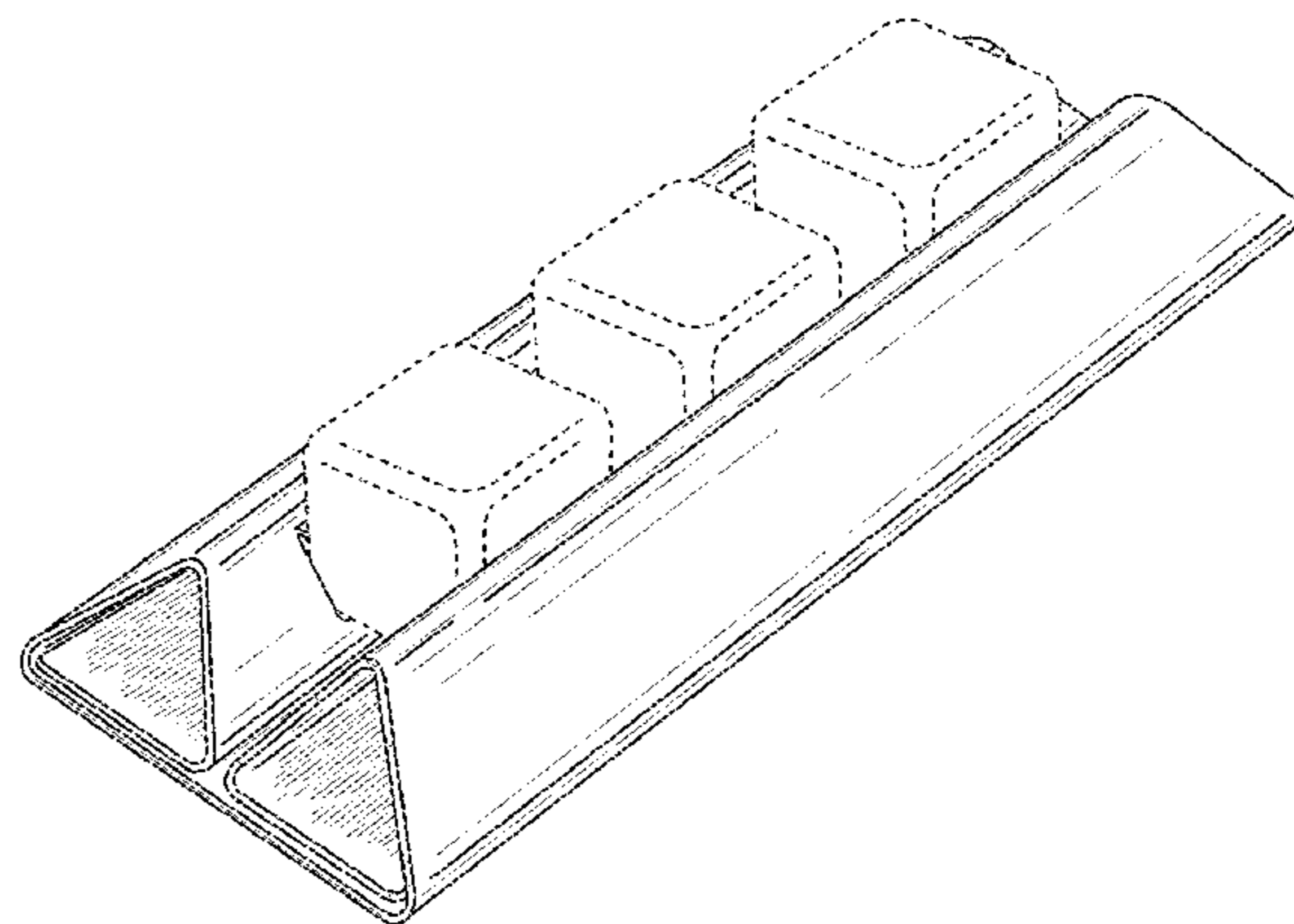
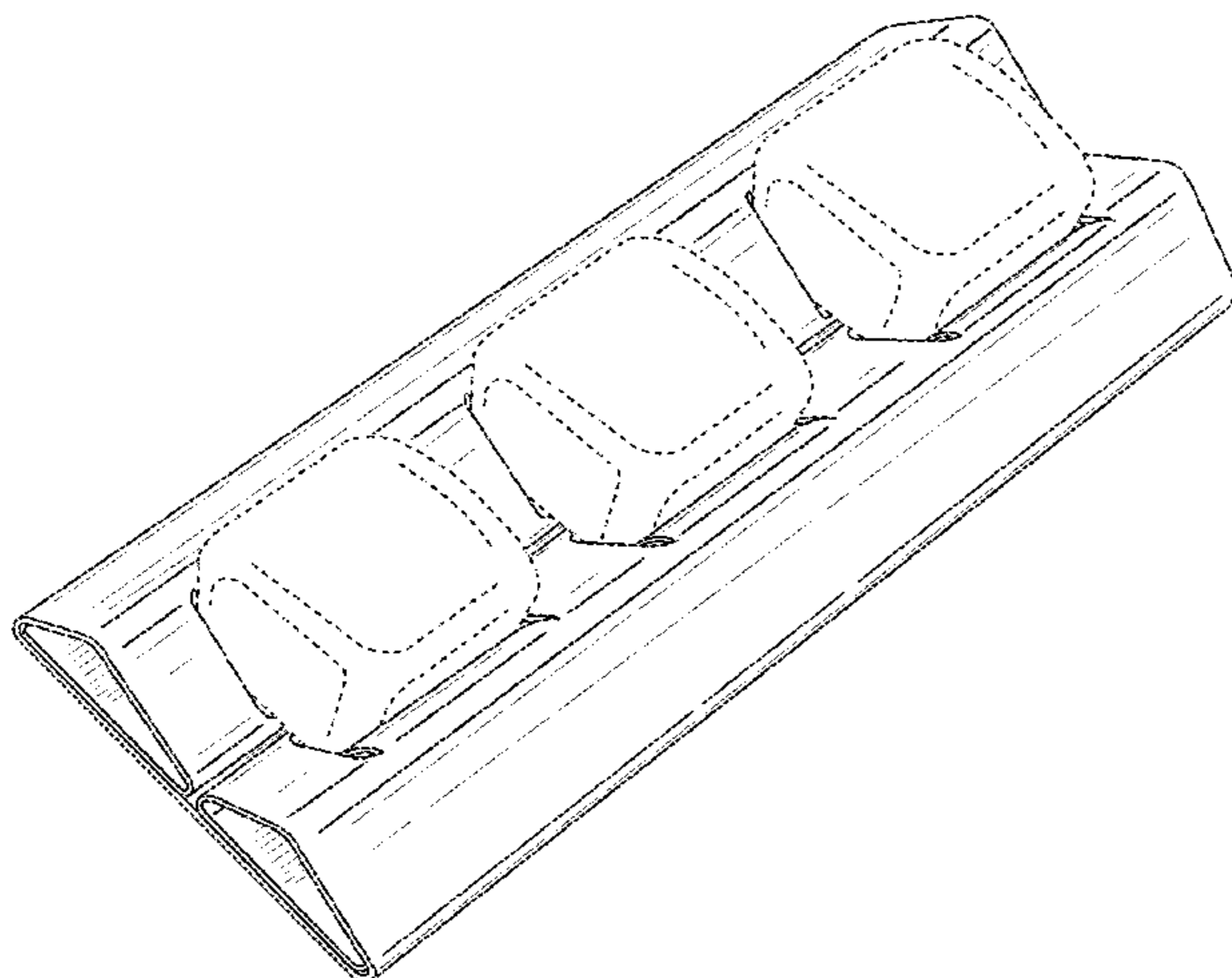
FIG. 6 is a top view of the multi-article packaging of FIG. 1. FIG. 7 is a bottom view of the multi-article packaging of FIG. 1.

FIG. 8 is a perspective view of an alternative embodiment of the multi-article packaging of FIG. 1.

FIG. 9 is a front view of the alternative embodiment of the multi-article packaging of FIG. 8; and,

FIG. 10 is a top view of the alternative embodiment of the multi-article packaging of FIG. 8.

**1 Claim, 5 Drawing Sheets**



(56)

**References Cited**

U.S. PATENT DOCUMENTS

7,219,830 B2 *	5/2007	West	229/115	D641,617 S *	7/2011	Steenberg	D9/431
7,347,326 B2 *	3/2008	Baechle	206/453	8,052,103 B2 *	11/2011	Ferraro et al.	248/174
D601,009 S *	9/2009	Shinn	D9/415	D672,233 S *	12/2012	Green	D9/431
7,699,211 B2 *	4/2010	Holloway	229/115	D683,214 S *	5/2013	McAdam	D9/433
7,814,821 B2 *	10/2010	Chenel	89/1.13	D684,463 S *	6/2013	Elfstrum et al.	D9/430
D637,904 S *	5/2011	Anderson et al.	D9/430	8,459,190 B2 *	6/2013	Erdie	108/51.3
				D695,102 S *	12/2013	Keberlein et al.	D9/416
				2004/0084513 A1 *	5/2004	Testerman et al.	229/115
				2007/0236030 A1 *	10/2007	Chenel	294/137

\* cited by examiner

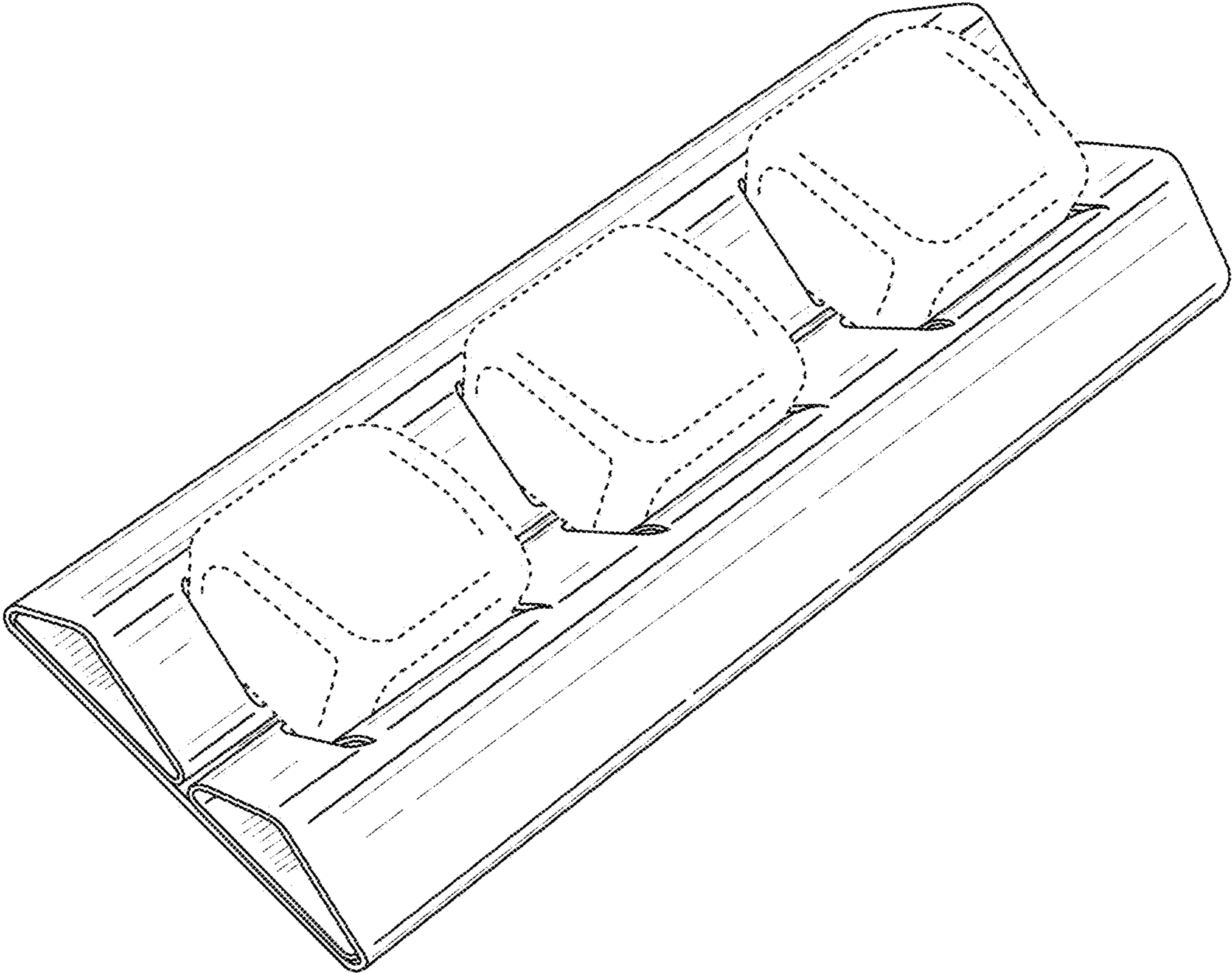


FIG. 1

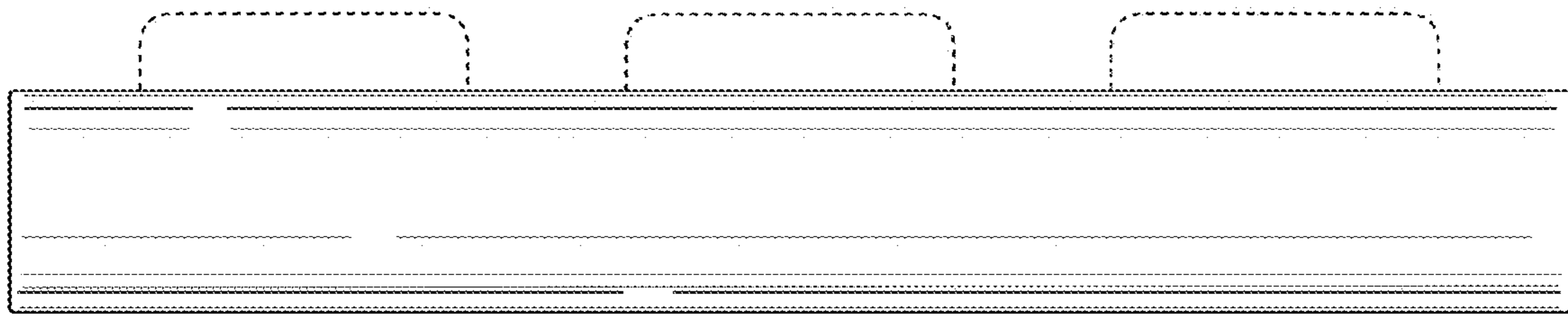


FIG. 2

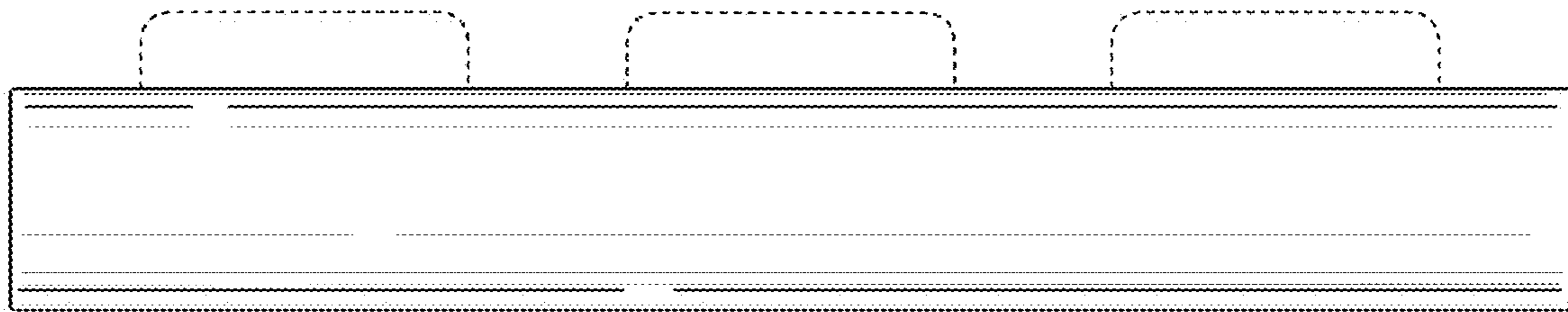


FIG. 3

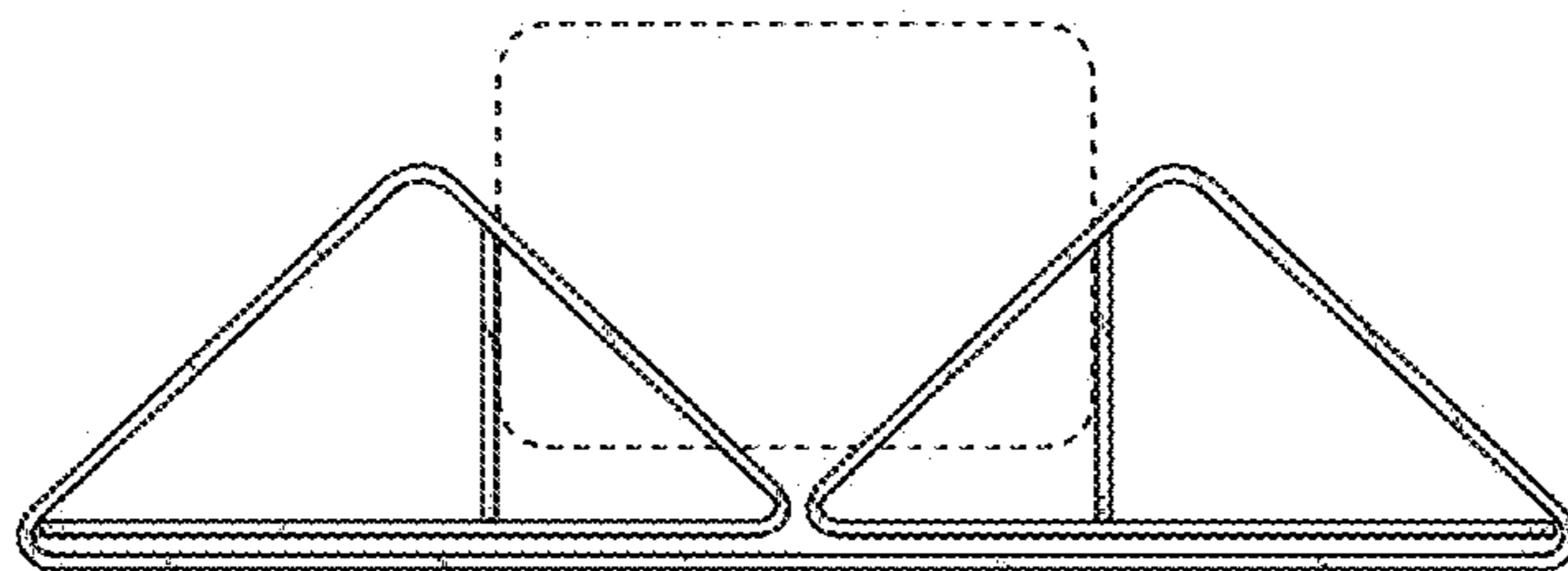


FIG. 4

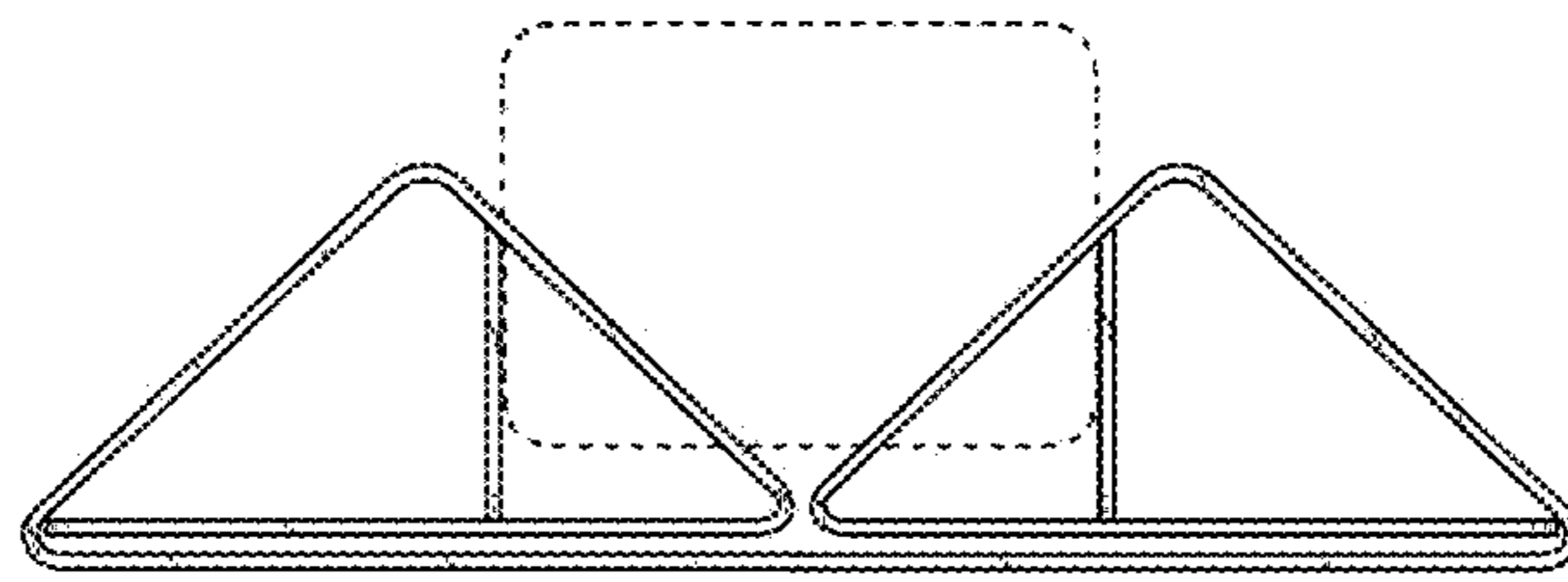


FIG. 5

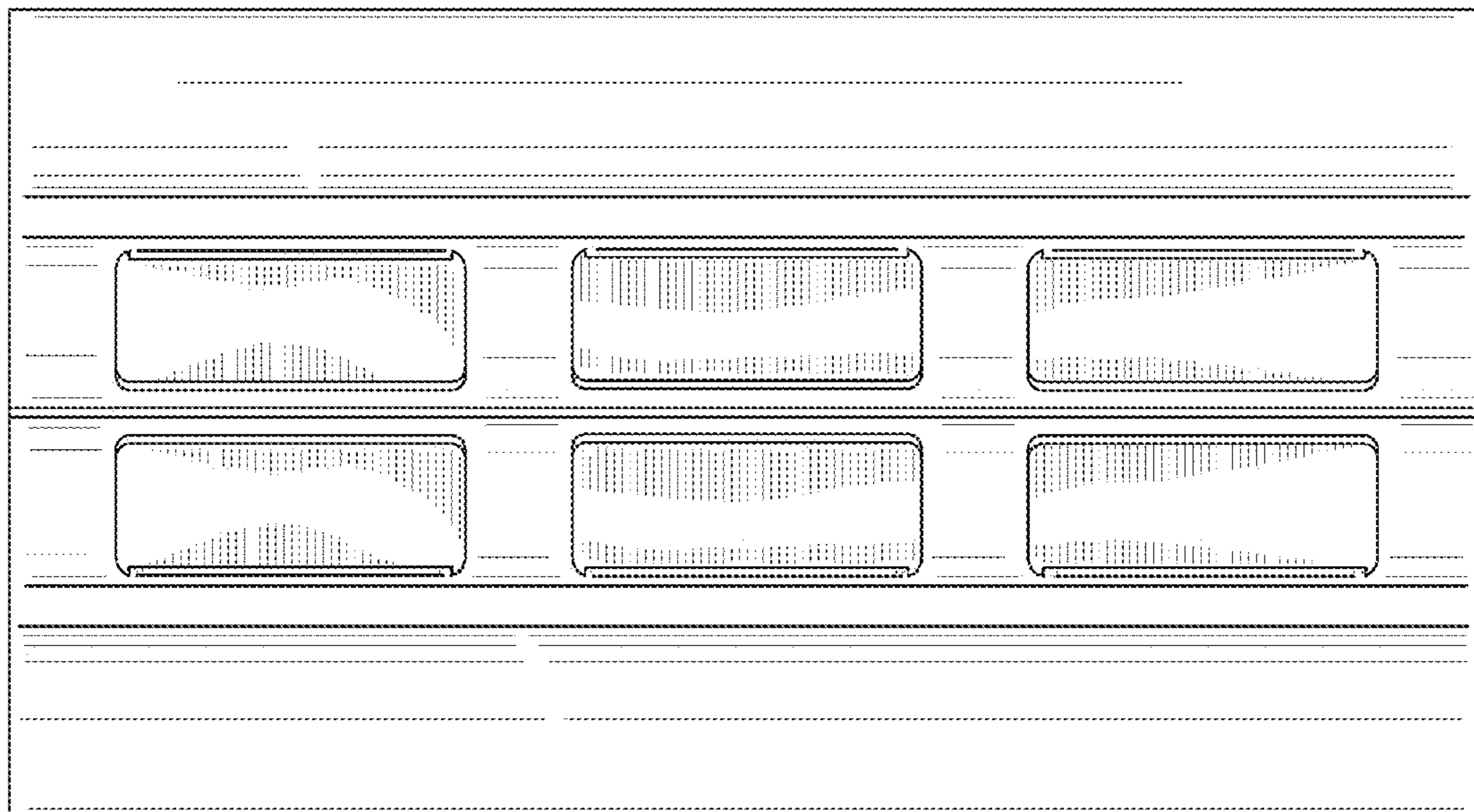


FIG. 6

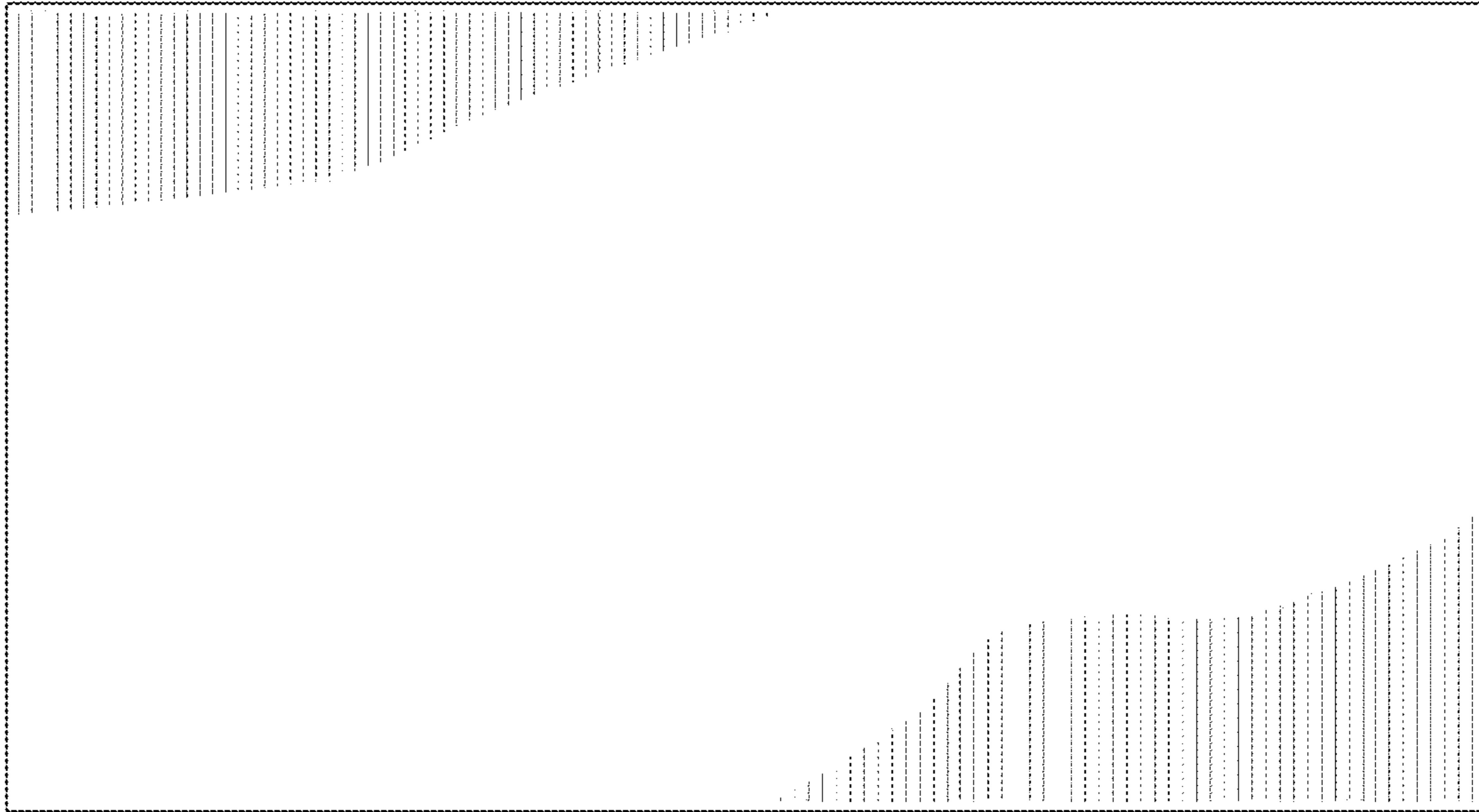


FIG. 7

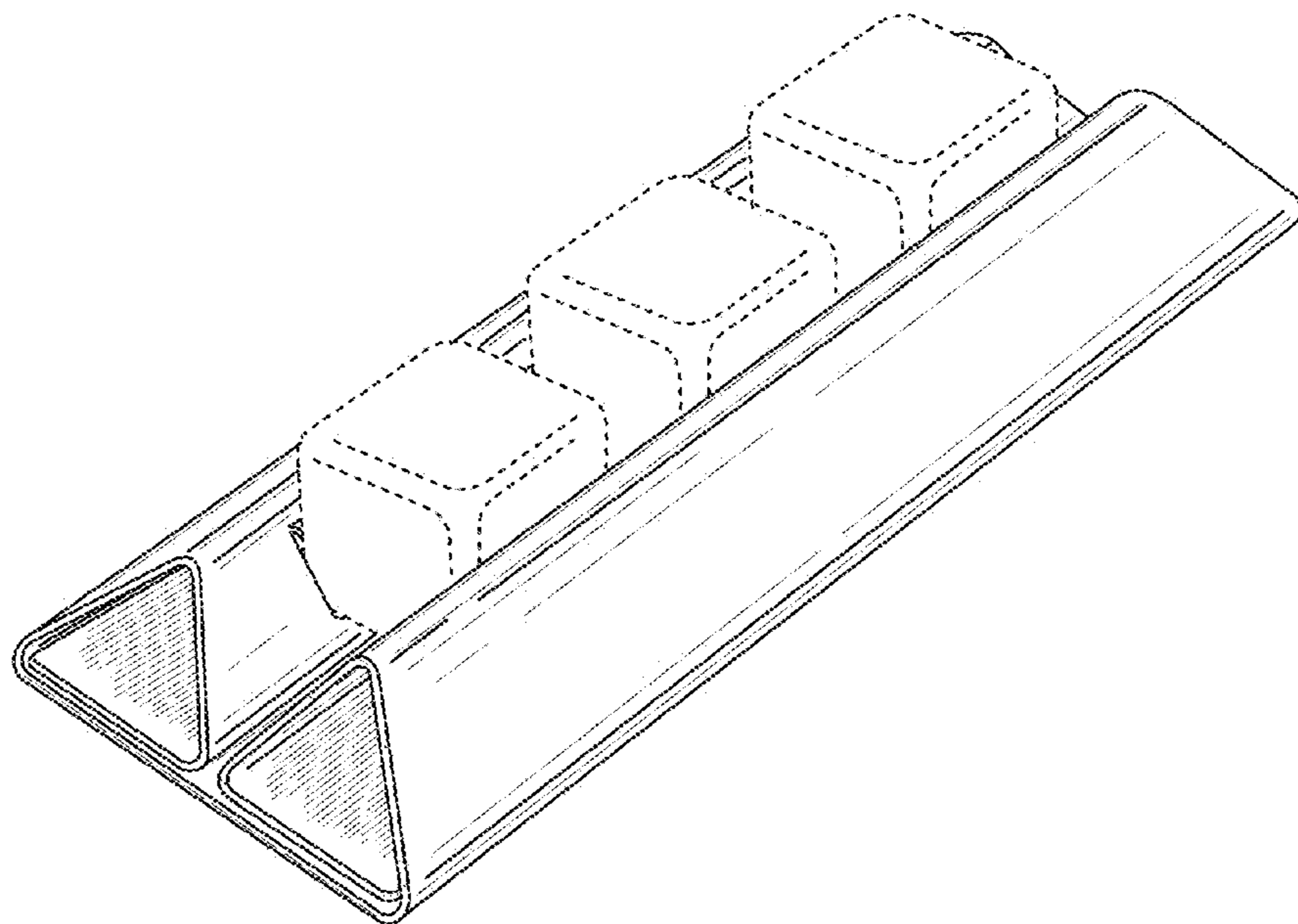


FIG. 8

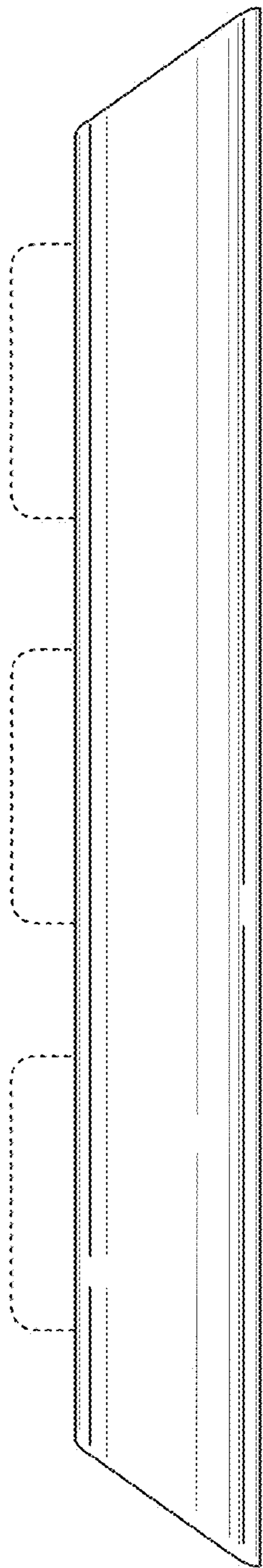


FIG. 9

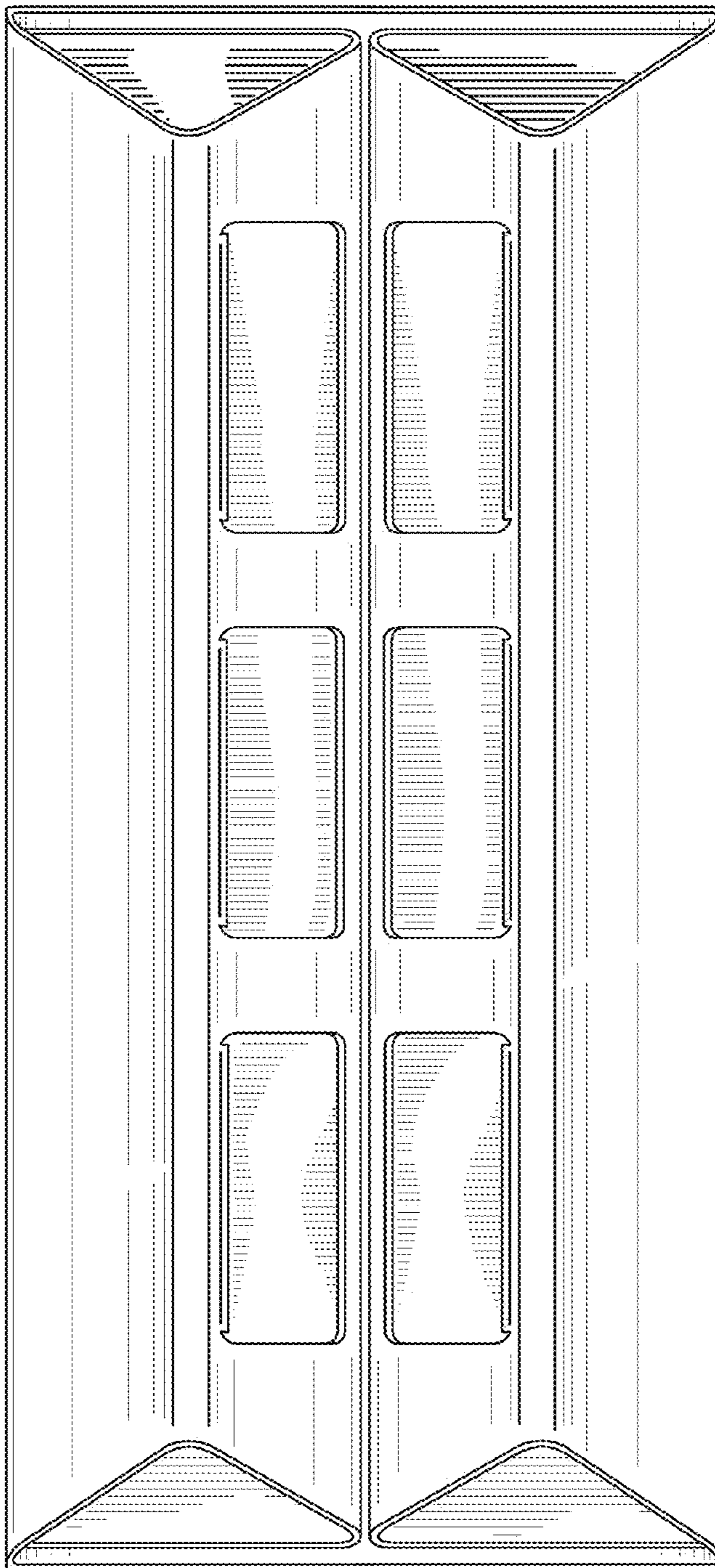


FIG. 10