



US00D711250S

(12) **United States Design Patent**  
**Henriksson**

(10) **Patent No.:** **US D711,250 S**  
(45) **Date of Patent:** **\*\* Aug. 19, 2014**

(54) **SNUFF CONTAINER**

(71) Applicant: **Nina Henriksson**, Stockholm (SE)

(72) Inventor: **Nina Henriksson**, Stockholm (SE)

(73) Assignee: **Swedish Match North Europe AB**,  
Stockholm (SE)

(\*\*) Term: **14 Years**

(21) Appl. No.: **29/445,569**

(22) Filed: **Feb. 13, 2013**

(51) **LOC (10) Cl.** ..... **09-01**

(52) **U.S. Cl.**

USPC ..... **D9/669**; D9/504

(58) **Field of Classification Search**

USPC ..... D7/514–520, 613, 619.2, 623, 628,  
D7/392.1; D9/600, 667, 669, 500–504,  
D9/516, 529, 434–435, 441, 444–445,  
D9/451; 206/494, 457, 459.1, 459.5;  
215/230, 400

See application file for complete search history.

(56) **References Cited**

**U.S. PATENT DOCUMENTS**

3,388,841	A	*	6/1968	McHardy et al.	.....	D9/451
D242,768	S	*	12/1976	Frohling	.....	D9/669
D314,912	S	*	2/1991	Rey Pascual	.....	D9/500
D332,403	S	*	1/1993	Johnson, III	.....	D9/451
D476,572	S	*	7/2003	Merritt	.....	D9/504
D494,064	S	*	8/2004	Hook	.....	D9/451
D494,474	S	*	8/2004	Houk et al.	.....	D9/504
D509,432	S	*	9/2005	Hierzer et al.	.....	D9/447
D510,524	S	*	10/2005	Houk et al.	.....	D9/503
D512,636	S	*	12/2005	Pace	.....	D9/504
D513,386	S	*	1/2006	Pace et al.	.....	D9/504
D514,936	S	*	2/2006	Pace et al.	.....	D9/504
D515,426	S	*	2/2006	Pace et al.	.....	D9/504
D515,429	S	*	2/2006	Pace	.....	D9/529
D515,928	S	*	2/2006	Pace	.....	D9/504
D523,752	S	*	6/2006	Bried et al.	.....	D9/504
D541,176	S	*	4/2007	Bried	.....	D9/504
D581,809	S	*	12/2008	Wichowski	.....	D9/504
D592,956	S	*	5/2009	Thiellier	.....	D9/504

D603,261	S	*	11/2009	Arnell et al.	.....	D9/453
D644,118	S	*	8/2011	Giles	.....	D9/667
D644,119	S	*	8/2011	Giles	.....	D9/667
D651,519	S	*	1/2012	Gibson et al.	.....	D9/529
D669,953	S	*	10/2012	Gold	.....	D21/796
D677,568	S	*	3/2013	Sina	.....	D9/451

\* cited by examiner

*Primary Examiner* — Sandra Morris

(74) *Attorney, Agent, or Firm* — Haynes and Boone, LLP

(57) **CLAIM**

The ornamental design for a snuff container, as shown and described.

**DESCRIPTION**

FIG. 1 is a perspective view of a first embodiment of a snuff container lid according to the new design;  
 FIG. 2 is a bottom perspective view of the snuff container according to the first embodiment;  
 FIG. 3 is a plan view of the snuff container according to the first embodiment;  
 FIG. 4 is a front view of the snuff container according to the first embodiment;  
 FIG. 5 is a side view of the snuff container according to the first embodiment;  
 FIG. 6 is a rear side view of the snuff container according to the first embodiment;  
 FIG. 7 is a bottom view of the snuff container according to the first embodiment;  
 FIG. 8 is an exploded perspective view of the snuff container according to the first embodiment;  
 FIG. 9 is an exploded perspective view of the snuff container according to the first embodiment;  
 FIG. 10 is an exploded bottom perspective view of the snuff container according to the first embodiment;  
 FIG. 11 is an exploded bottom perspective view of the snuff container according to the first embodiment;  
 FIG. 12 is an exploded side view of the snuff container according to the first embodiment;  
 FIG. 13 is a sectional view along the line 13 of FIG. 12 of a lid of the container according to the first embodiment;  
 FIG. 14 is a sectional view along the line 13 of FIG. 12 of a lid of the container according to the first embodiment;

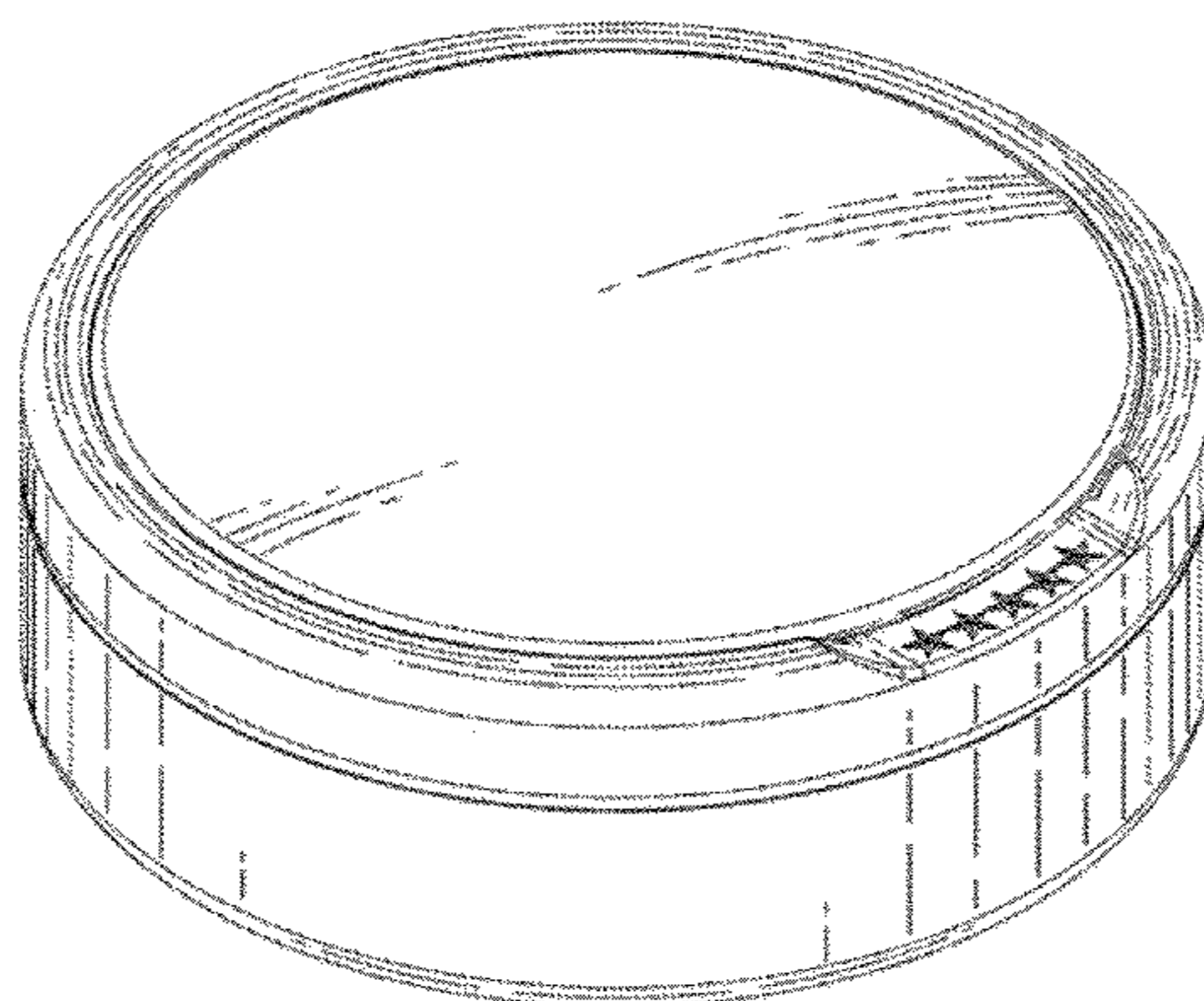


FIG. 15 is a perspective view of a second embodiment of a snuff container according to the new design;  
FIG. 16 is a bottom perspective view of the snuff container according to the second embodiment;  
FIG. 17 is a plan view of the snuff container according to the second embodiment;  
FIG. 18 is a front view of the snuff container according to the second embodiment;  
FIG. 19 is a side view of the snuff container according to the second embodiment;  
FIG. 20 is a rear side view of the snuff container according to the second embodiment;  
FIG. 21 is a bottom view of the snuff container according to the second embodiment;  
FIG. 22 is an exploded perspective view of the snuff container according to the second embodiment;  
FIG. 23 is an exploded perspective view of the snuff container according to the second embodiment;  
FIG. 24 is an exploded bottom perspective view of the snuff container according to the second embodiment;  
FIG. 25 is an exploded bottom perspective view of the snuff container according to the second embodiment;  
FIG. 26 is an exploded side view of the snuff container according to the second embodiment;  
FIG. 27 is a sectional view along the line 27 of FIG. 26 of a lid of the container according to the second embodiment;  
FIG. 28 is a sectional view along the line 27 of FIG. 26 of a lid of the container according to the second embodiment;  
FIG. 29 is a perspective view of a third embodiment of a snuff container according to the new design;  
FIG. 30 is a bottom perspective view of the snuff container according to the third embodiment;  
FIG. 31 is a plan view of the snuff container according to the third embodiment;  
FIG. 32 is a front view of the snuff container according to the third embodiment;  
FIG. 33 is a side view of the snuff container according to the third embodiment;  
FIG. 34 is a rear side view of the snuff container according to the third embodiment;  
FIG. 35 is a bottom view of the snuff container according to the third embodiment;

FIG. 36 is an exploded perspective view of the snuff container according to the third embodiment;  
FIG. 37 is an exploded perspective view of the snuff container according to the third embodiment;  
FIG. 38 is an exploded bottom perspective view of the snuff container according to the third embodiment;  
FIG. 39 is an exploded bottom perspective view of the snuff container according to the third embodiment;  
FIG. 40 is an exploded side view of the snuff container according to the third embodiment;  
FIG. 41 is a sectional view along the line 41 of FIG. 40 of a lid of the container according to the third embodiment;  
FIG. 42 is a sectional view along the line 41 of FIG. 40 of a lid of the container according to the third embodiment;  
FIG. 43 is a perspective view of a fourth embodiment of a snuff container according to the new design;  
FIG. 44 is a bottom perspective view of the snuff container according to the fourth embodiment;  
FIG. 45 is a plan view of the snuff container according to the fourth embodiment;  
FIG. 46 is a front view of the snuff container according to the fourth embodiment;  
FIG. 47 is a side view of the snuff container according to the fourth embodiment;  
FIG. 48 is a rear side view of the snuff container according to the fourth embodiment;  
FIG. 49 is a bottom view of the snuff container according to the fourth embodiment;  
FIG. 50 is an exploded perspective view of the snuff container according to the fourth embodiment;  
FIG. 51 is an exploded perspective view of the snuff container according to the fourth embodiment;  
FIG. 52 is an exploded bottom perspective view of the snuff container according to the fourth embodiment;  
FIG. 53 is an exploded bottom perspective view of the snuff container according to the fourth embodiment;  
FIG. 54 is an exploded side view of the snuff container according to the fourth embodiment;  
FIG. 55 is a sectional view along the line 55 of FIG. 54 of a lid of the container according to the fourth embodiment; and,  
FIG. 56 is a sectional view along the line 55 of FIG. 54 of a lid of the container according to the fourth embodiment.

**1 Claim, 32 Drawing Sheets**

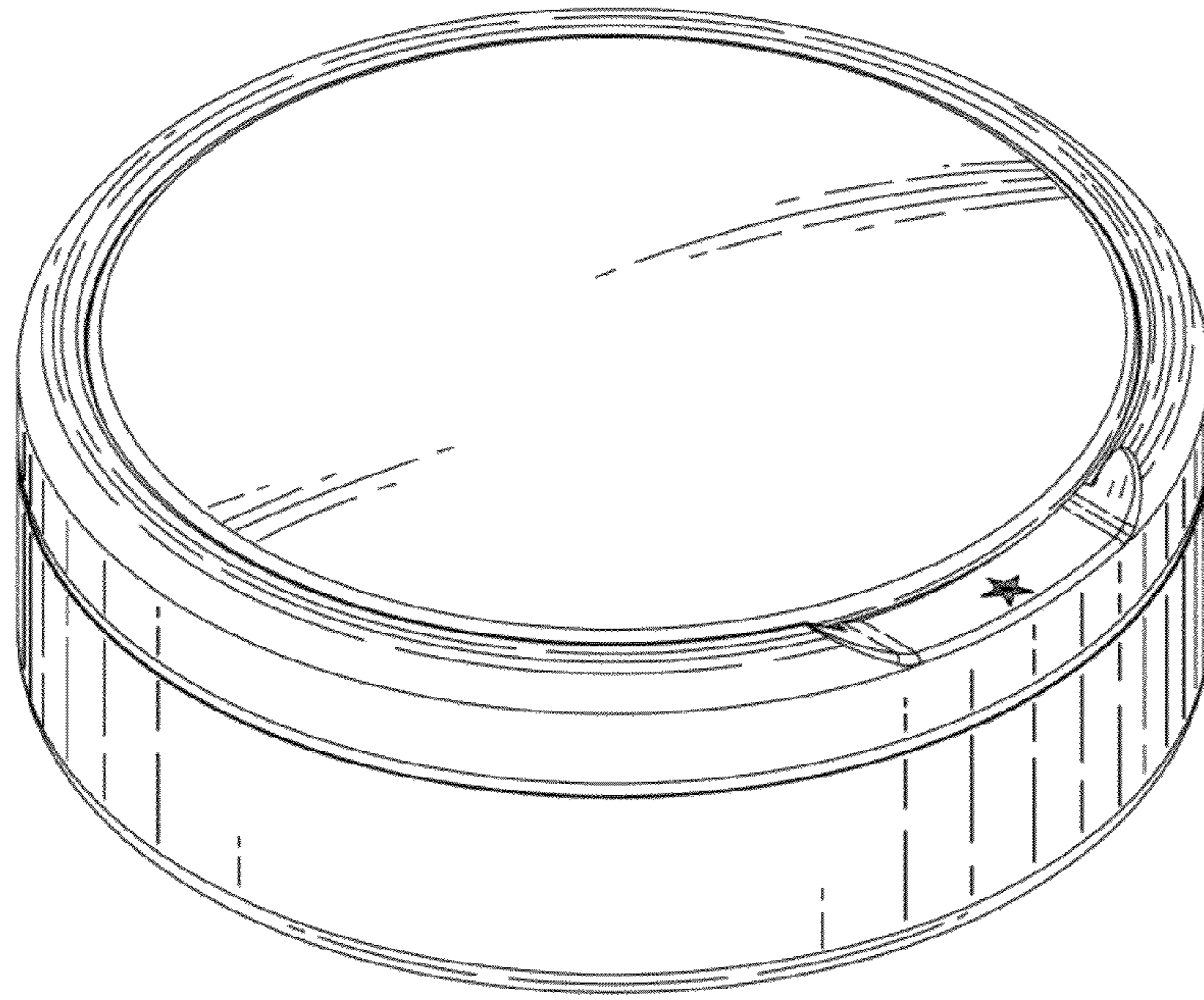


FIG. 1

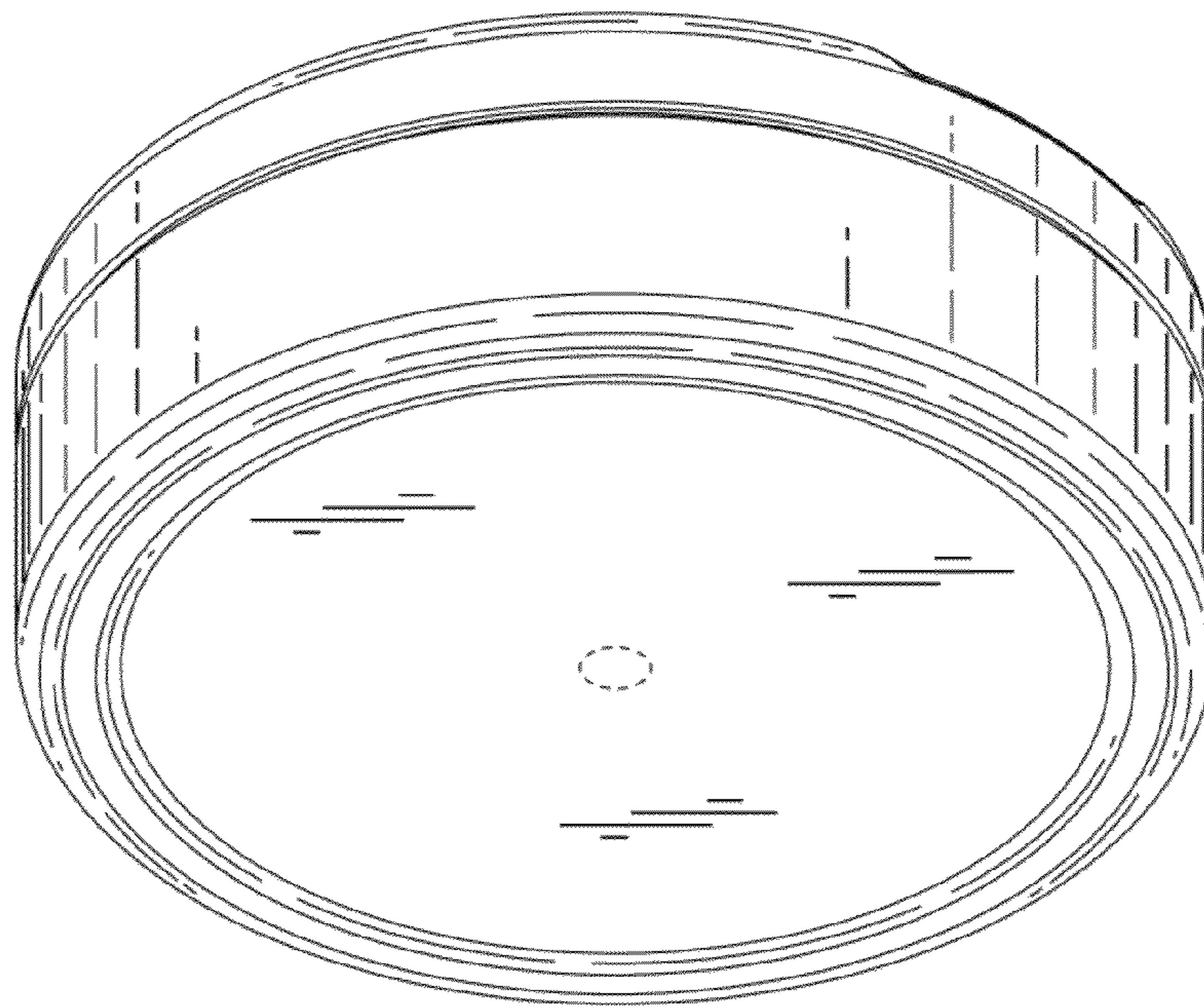


FIG. 2

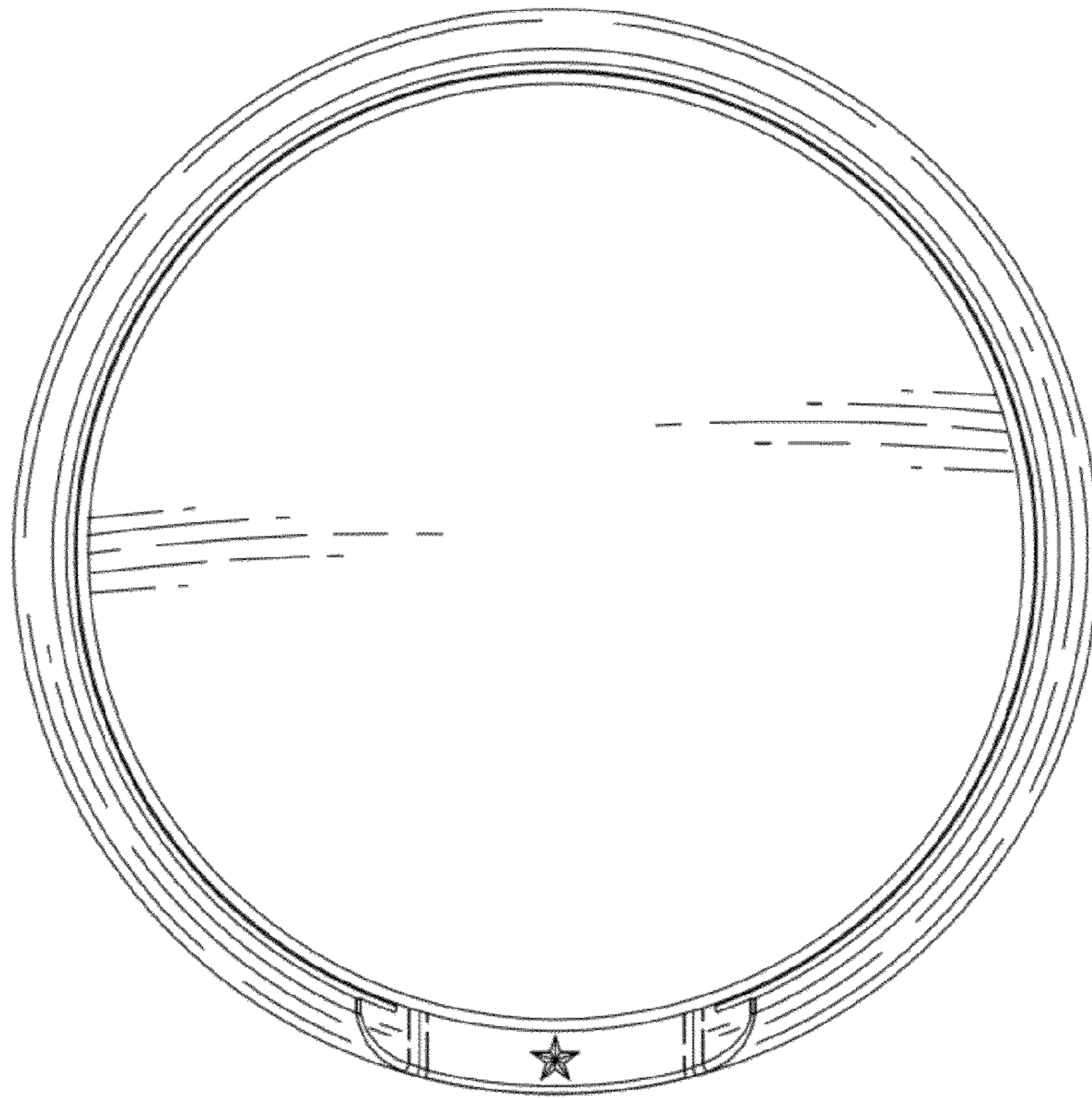


FIG. 3

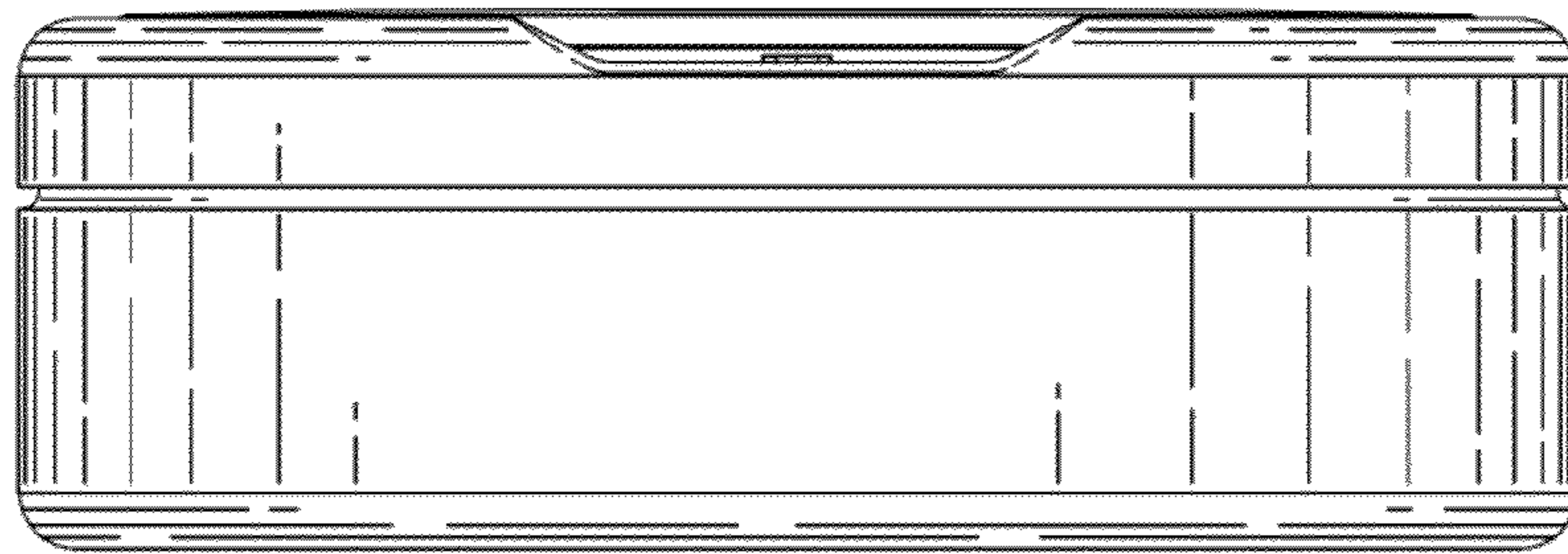


FIG. 4

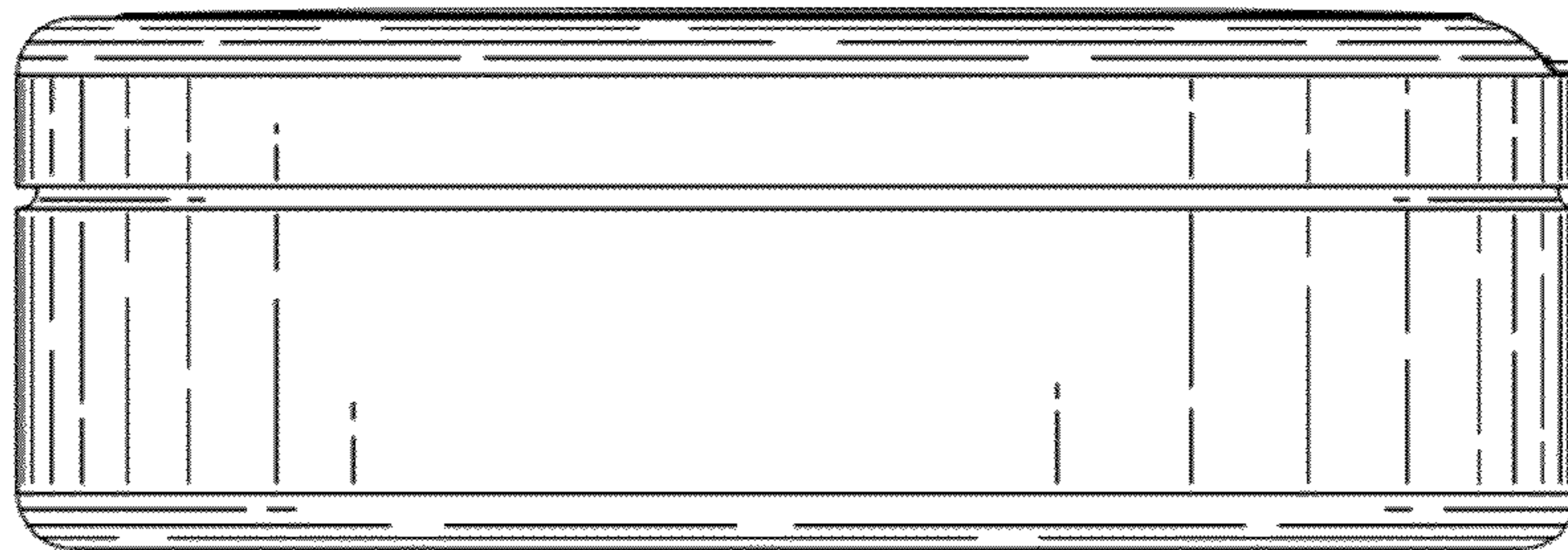


FIG. 5

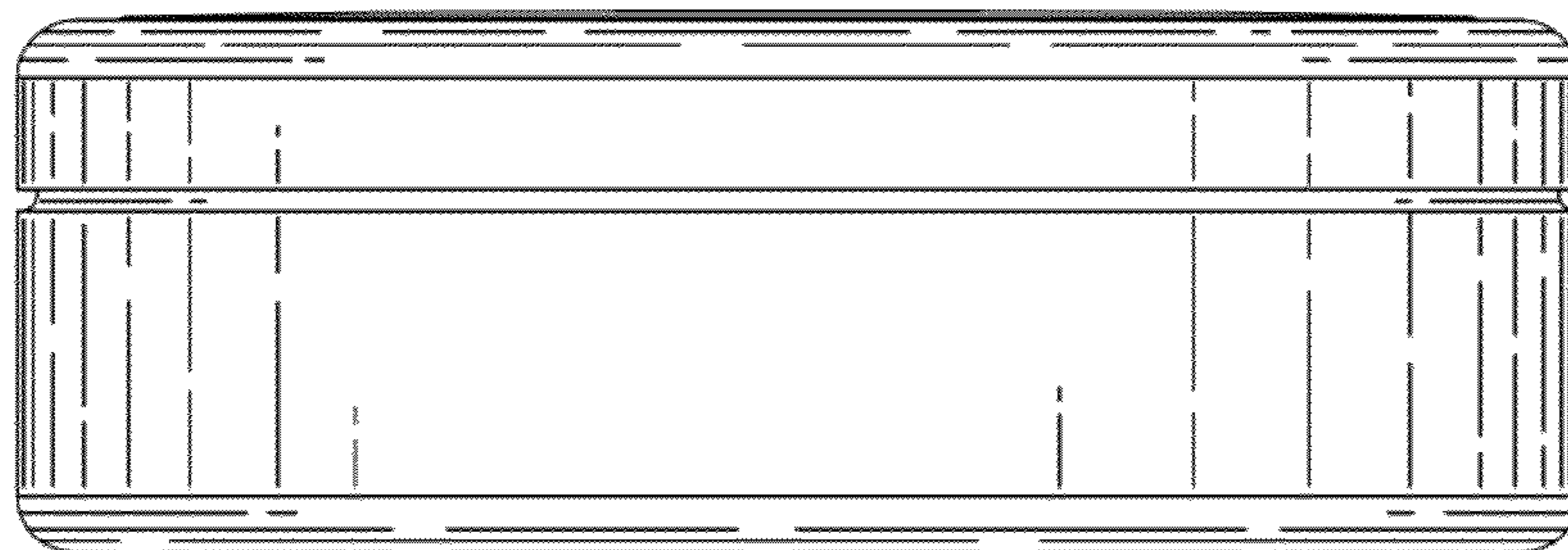


FIG. 6

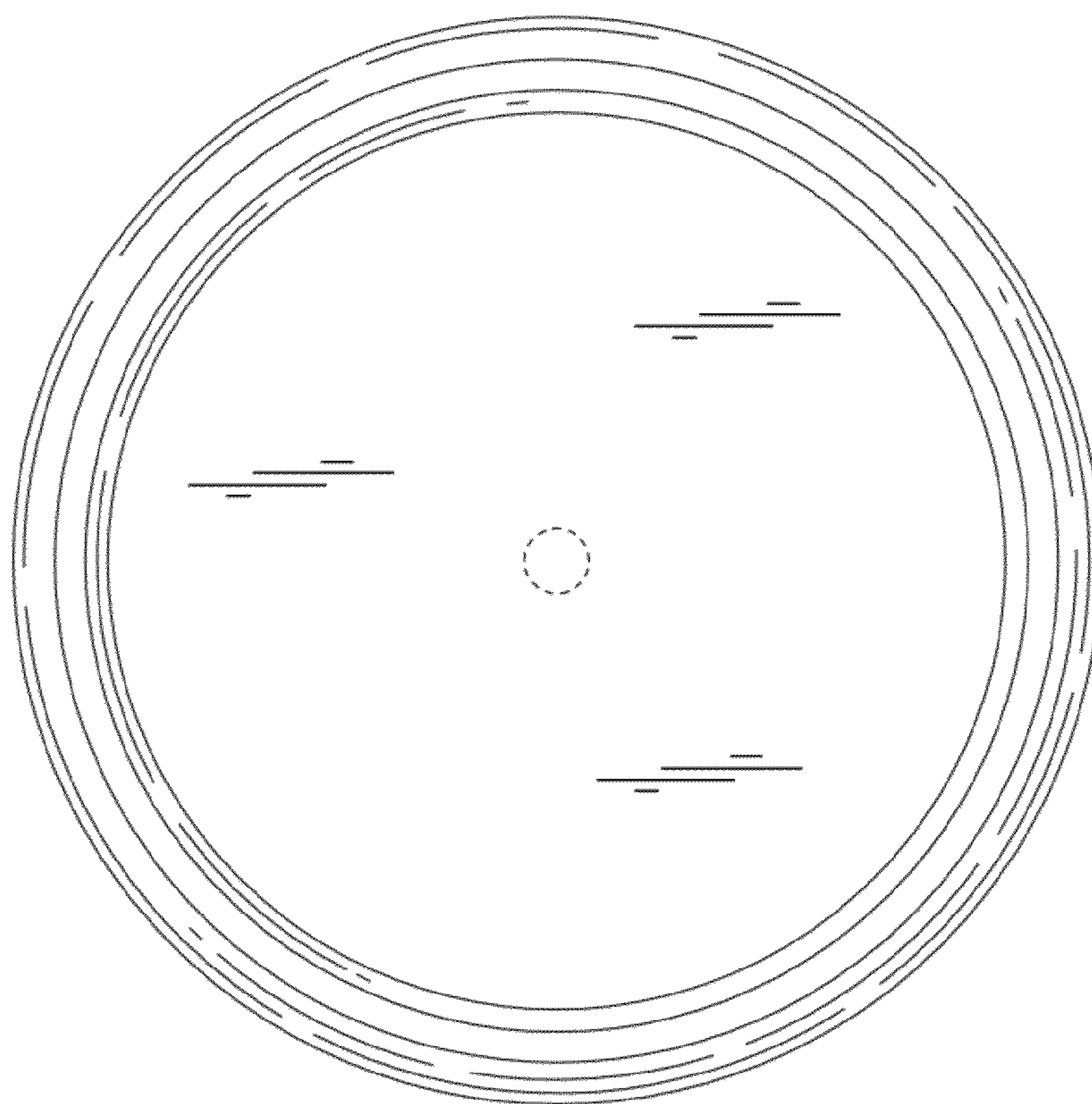


FIG. 7

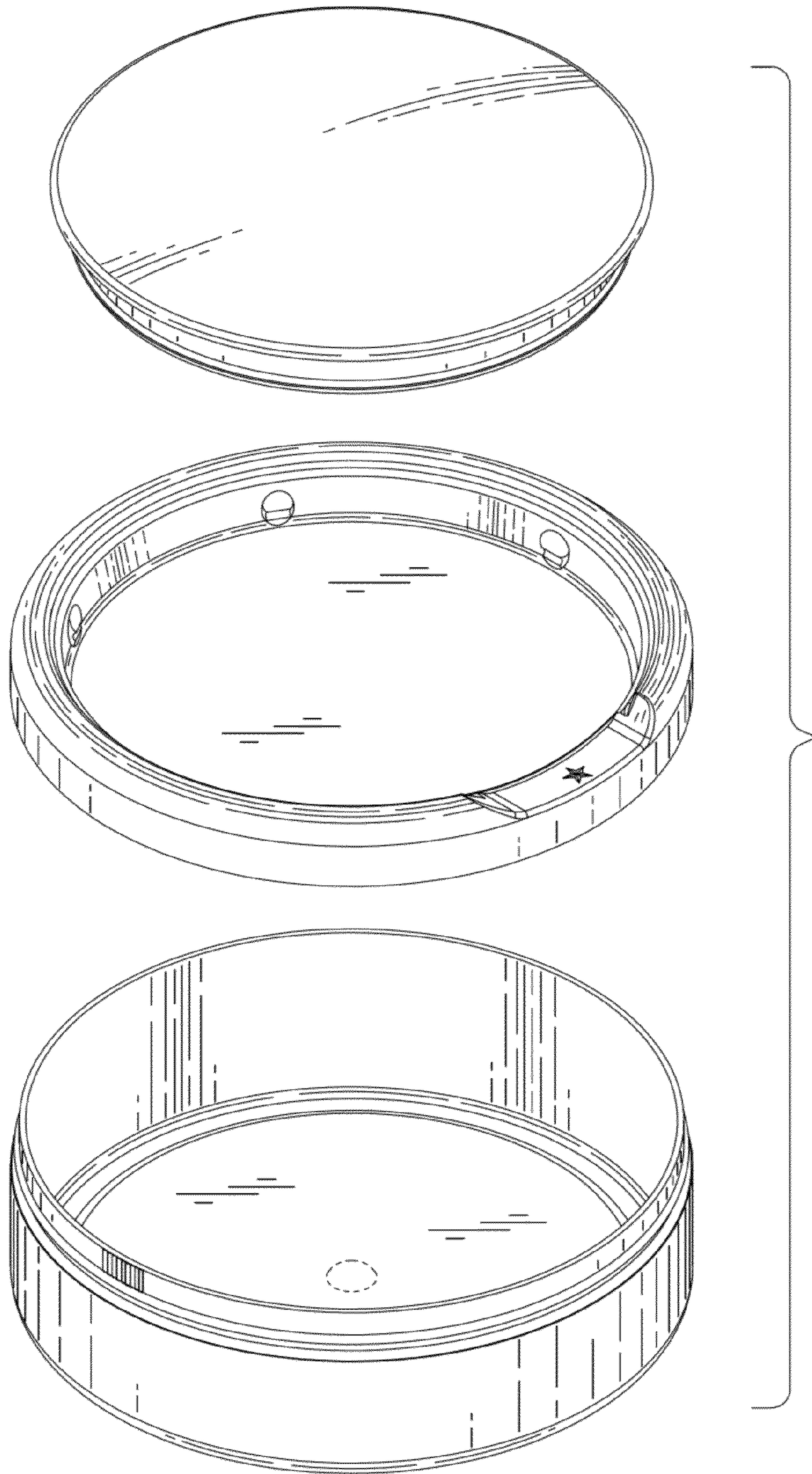


FIG. 8

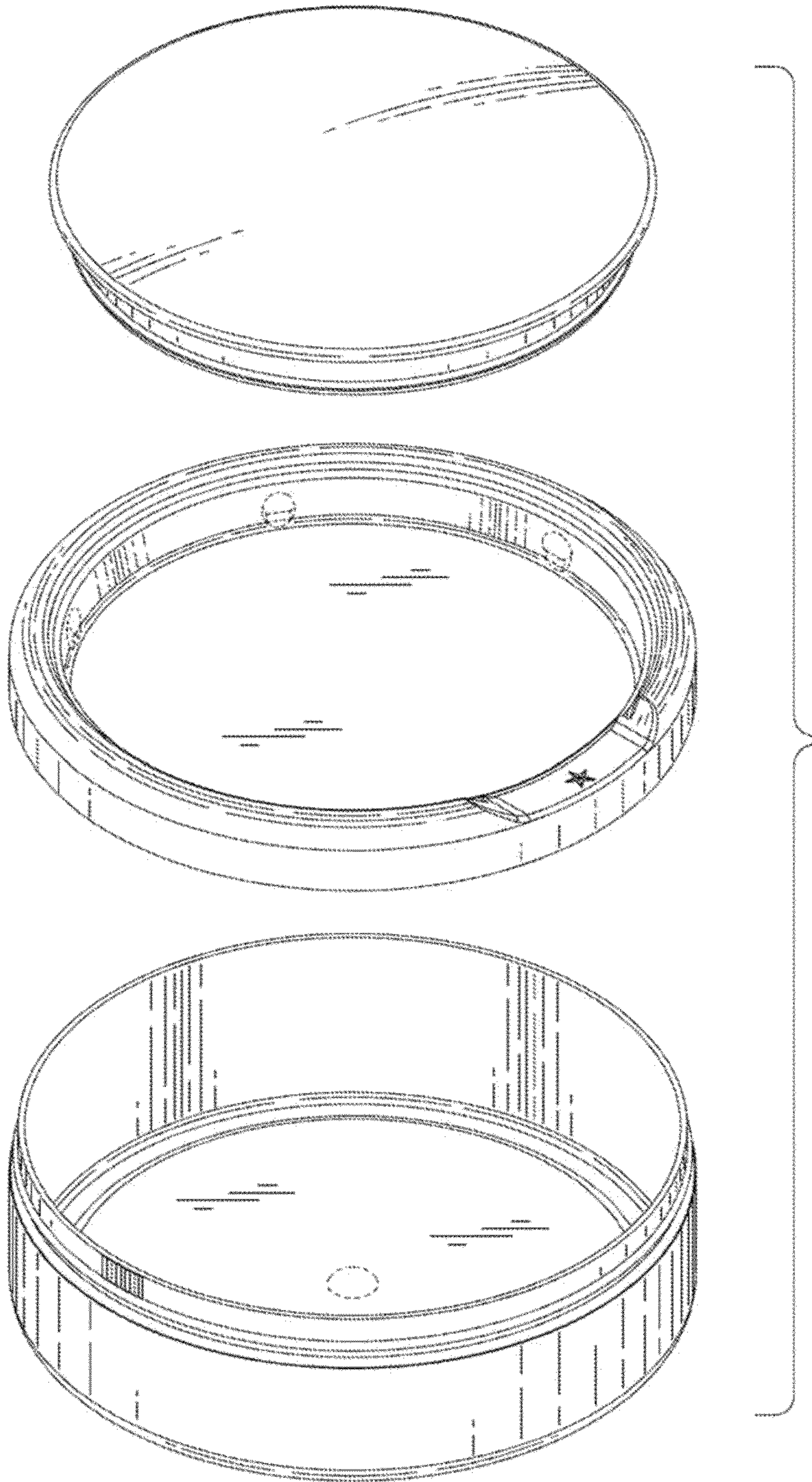


FIG. 9

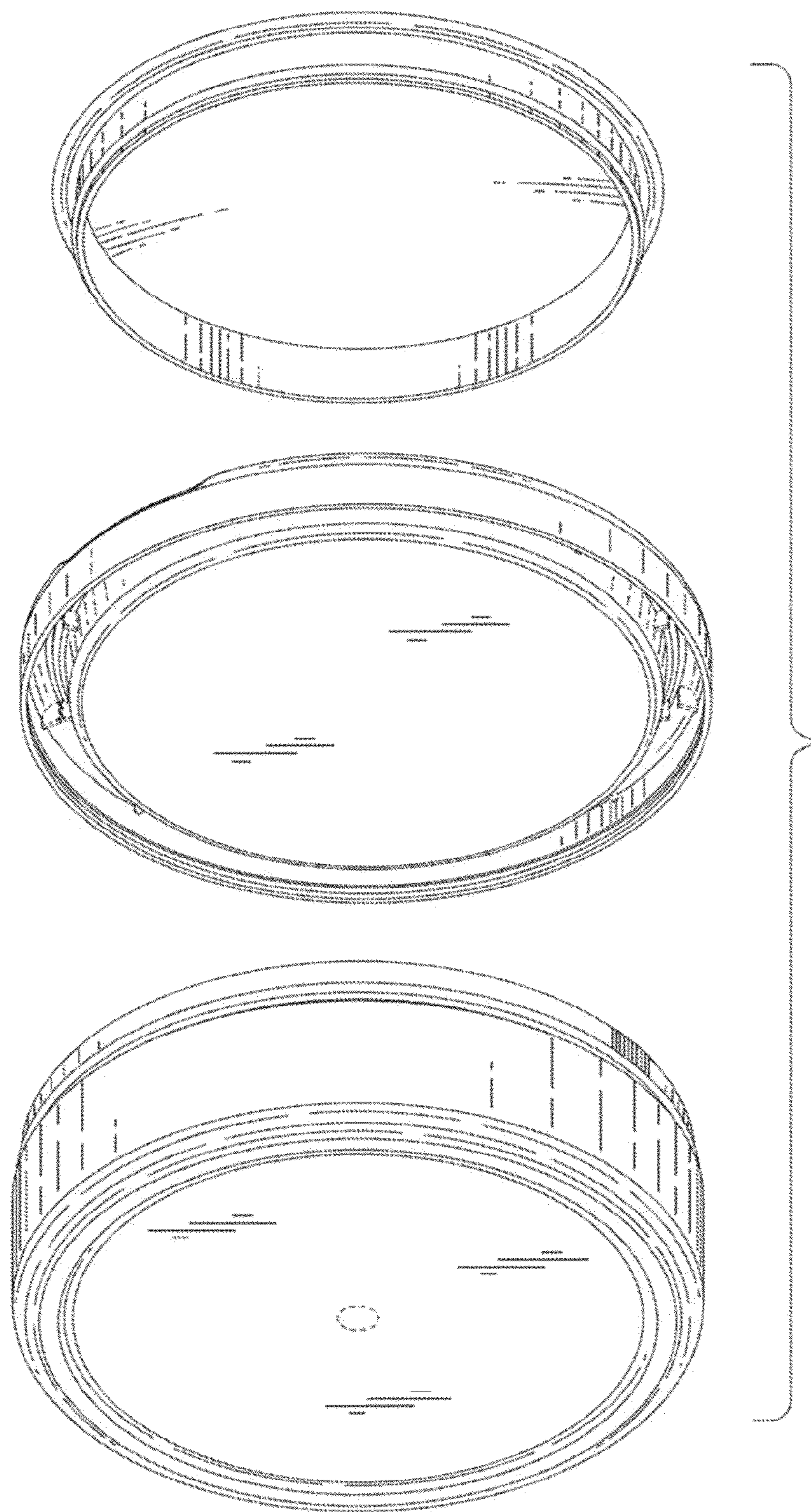


FIG. 10



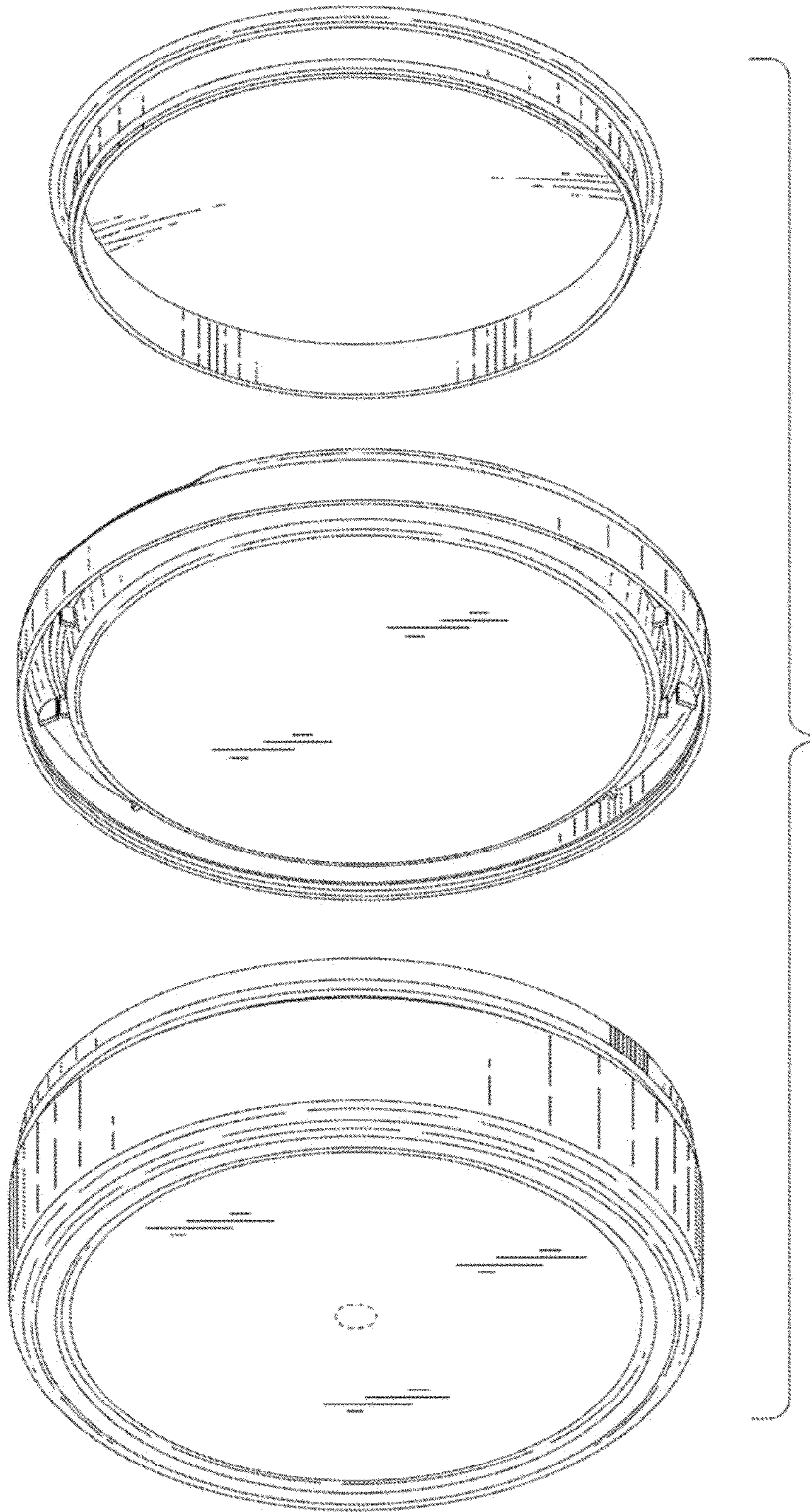


FIG. 11

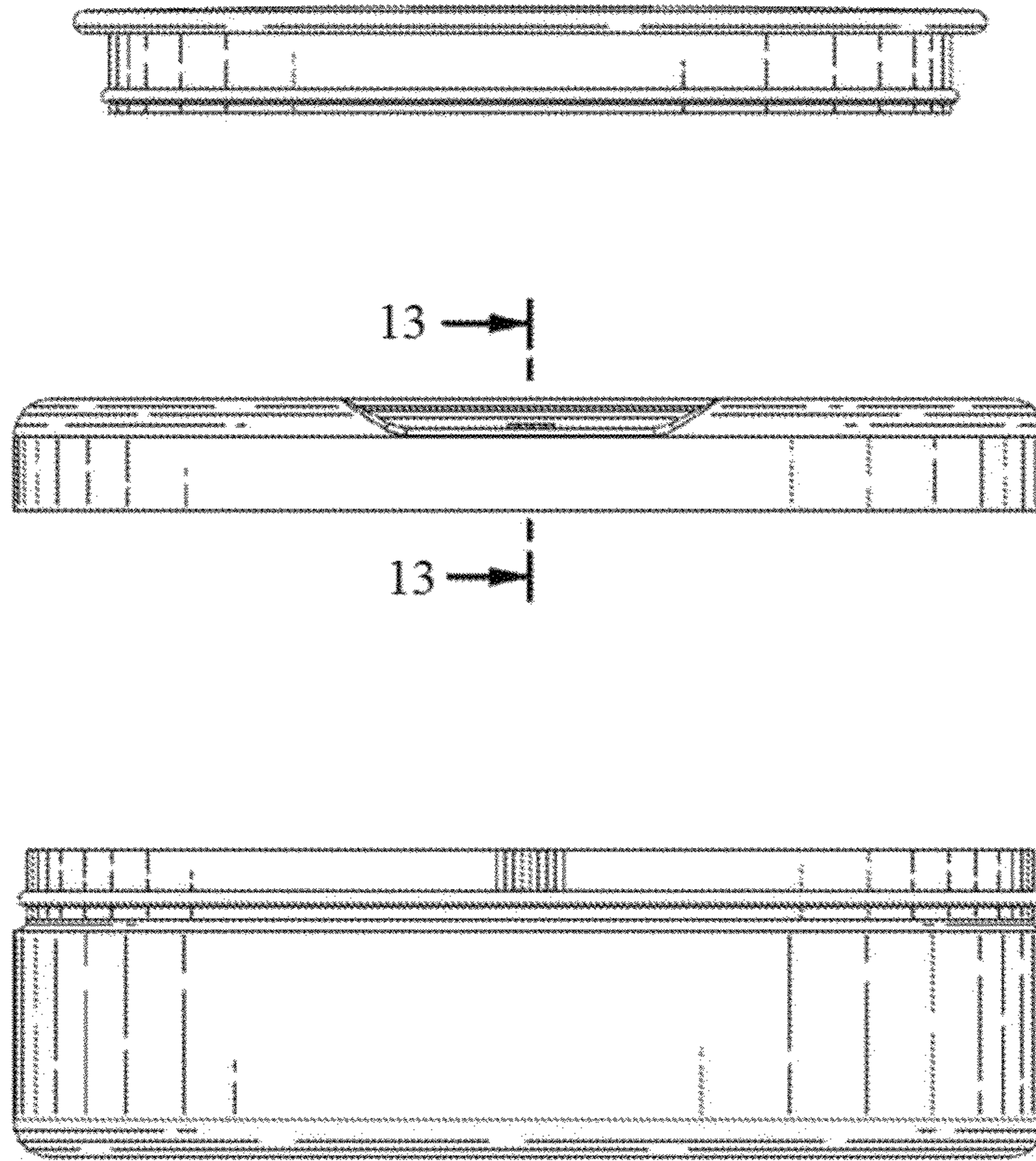


FIG. 12

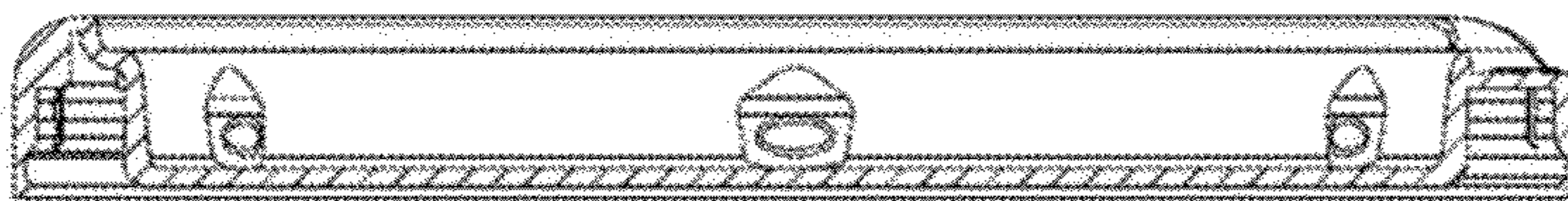


FIG. 13



FIG. 14

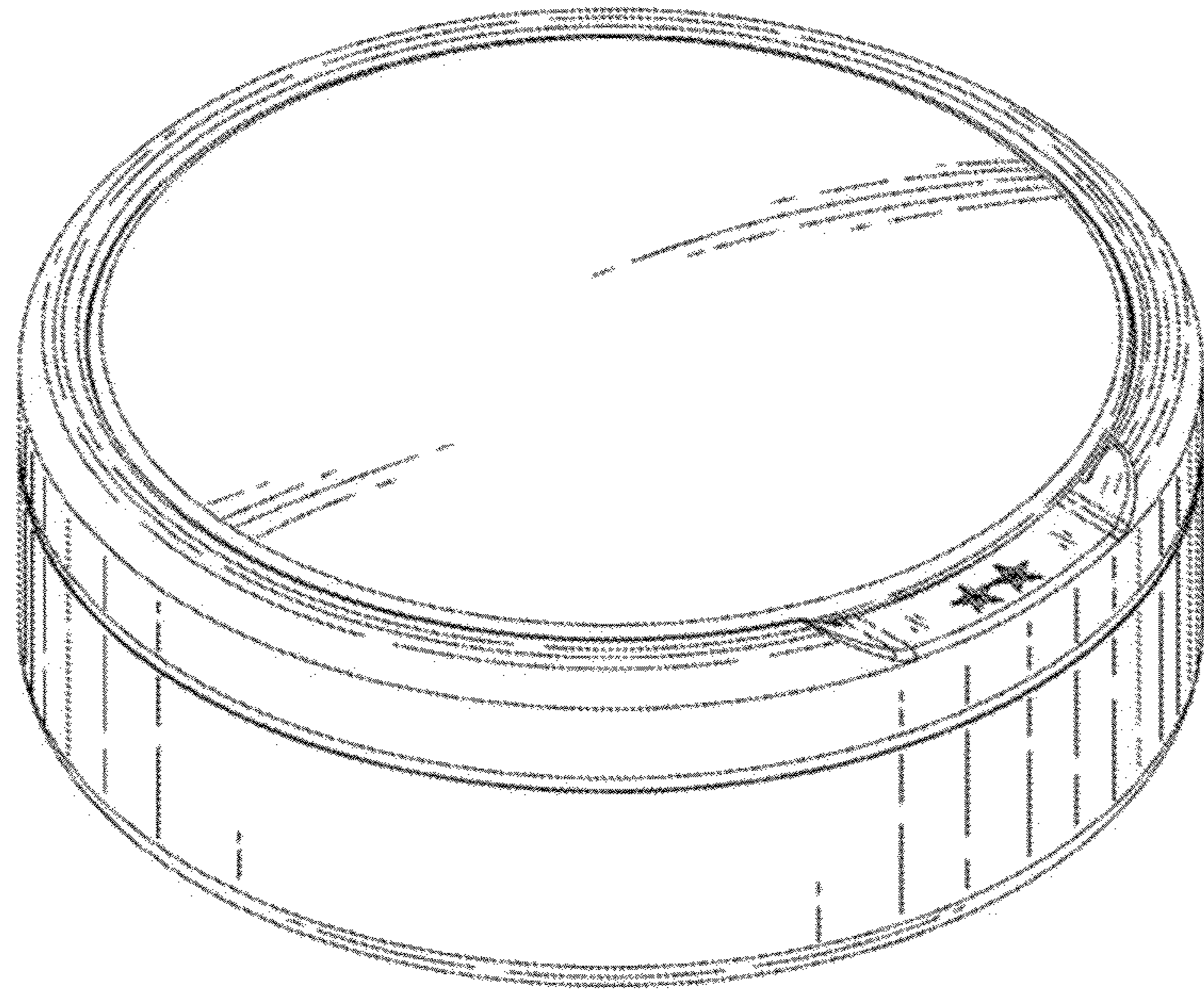


FIG. 15

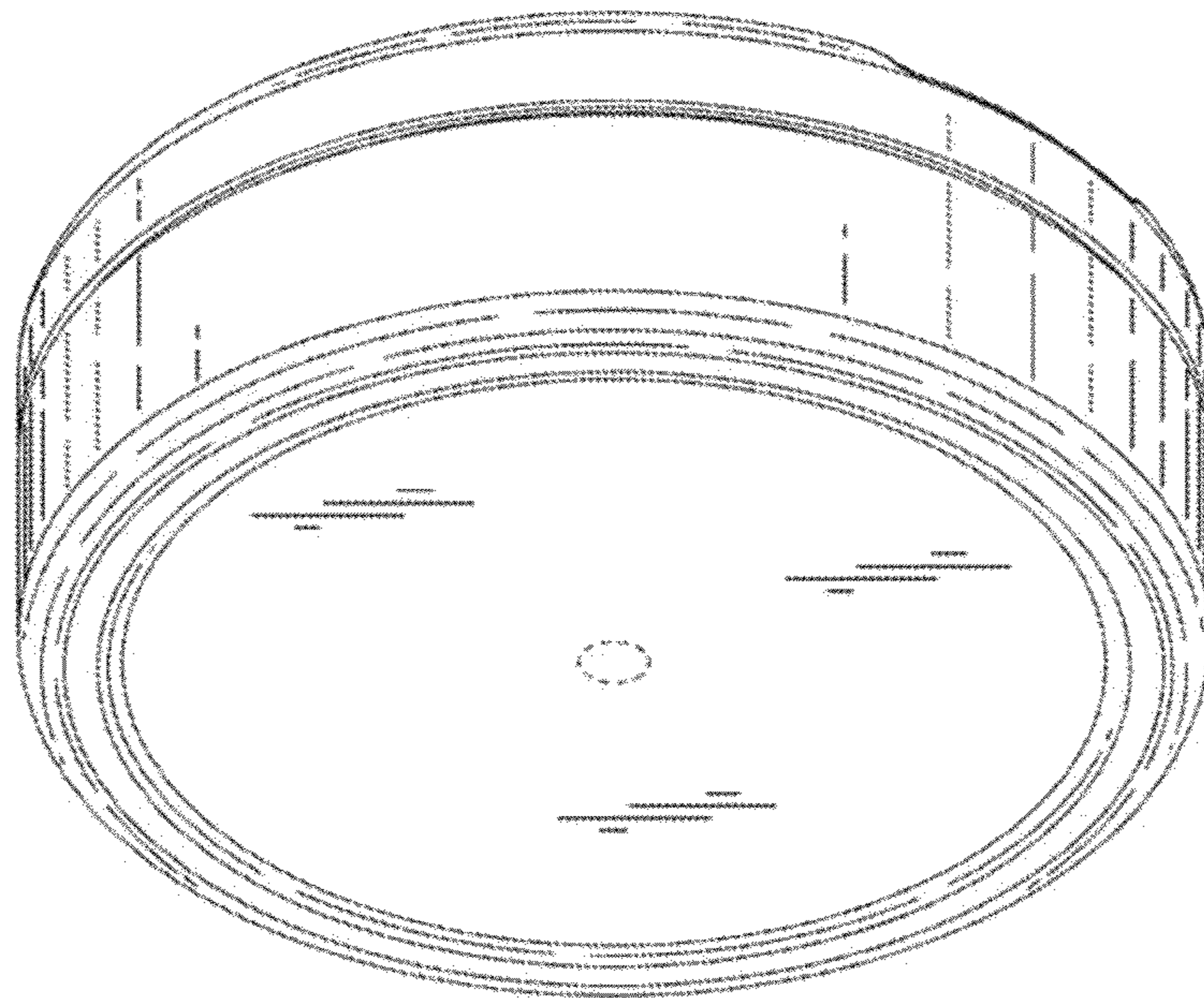


FIG. 16

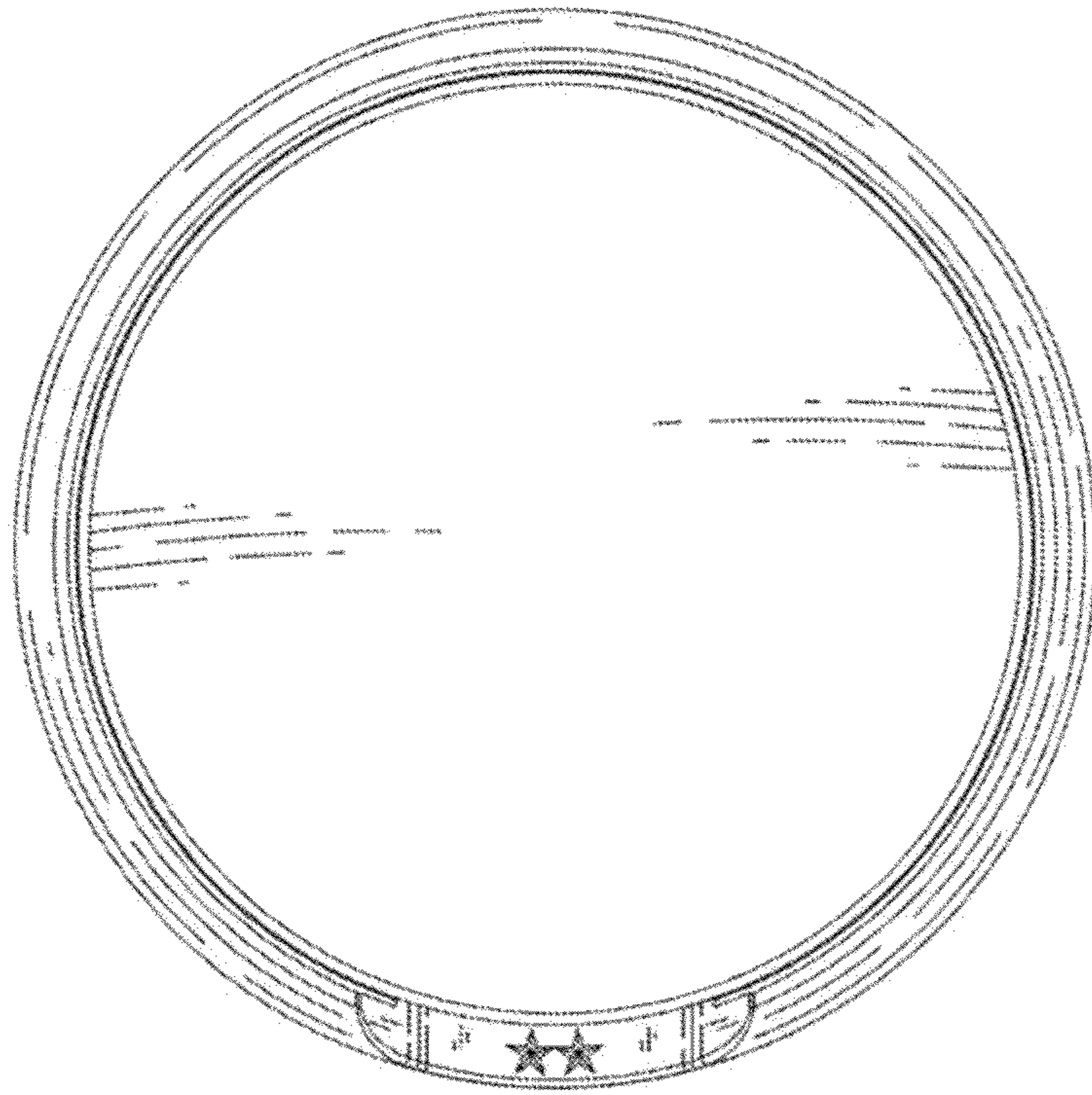


FIG. 17

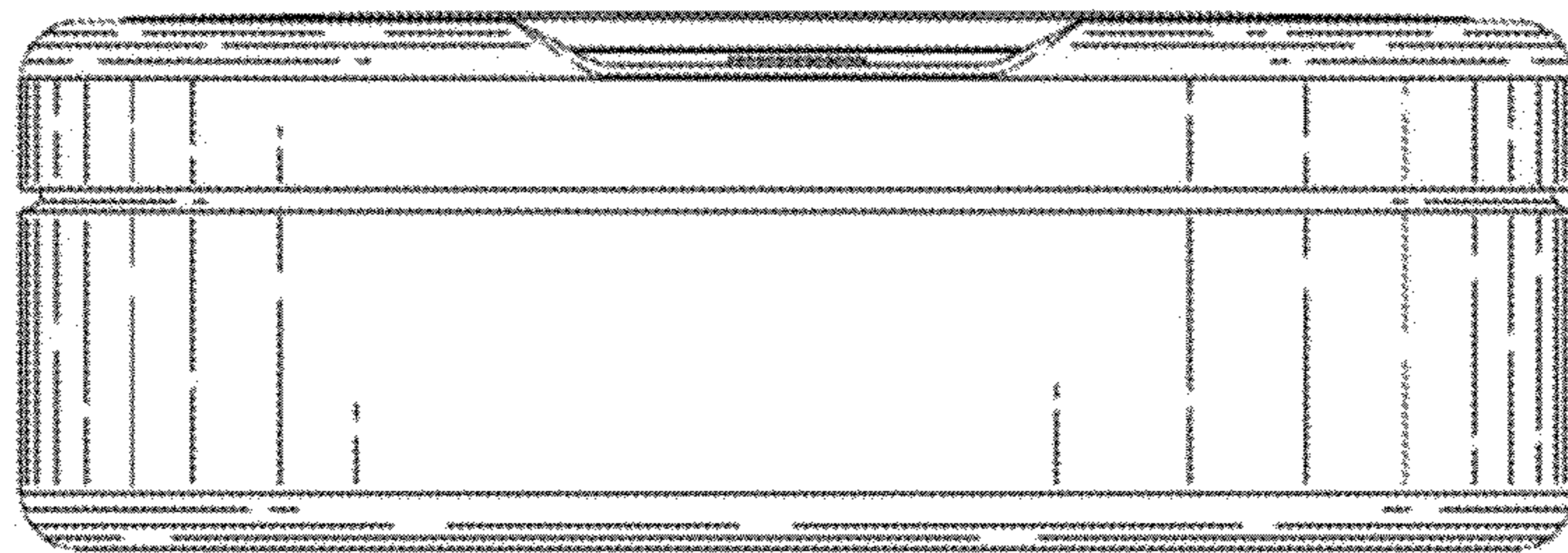


FIG. 18

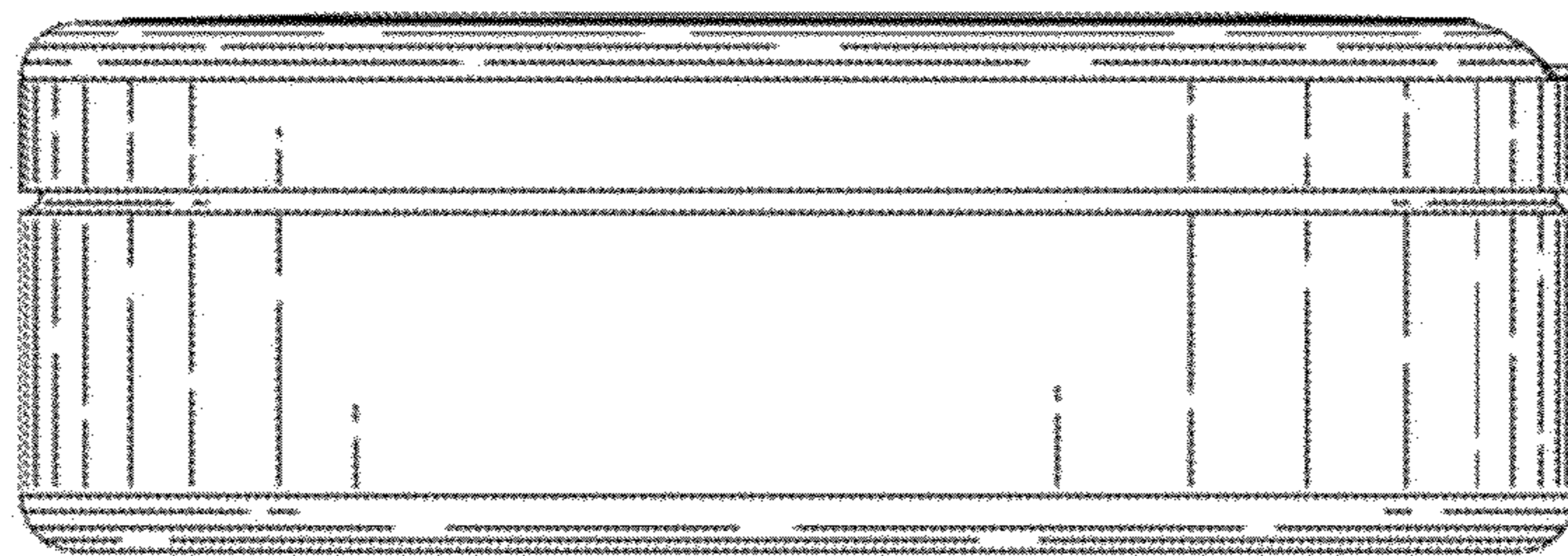


FIG. 19

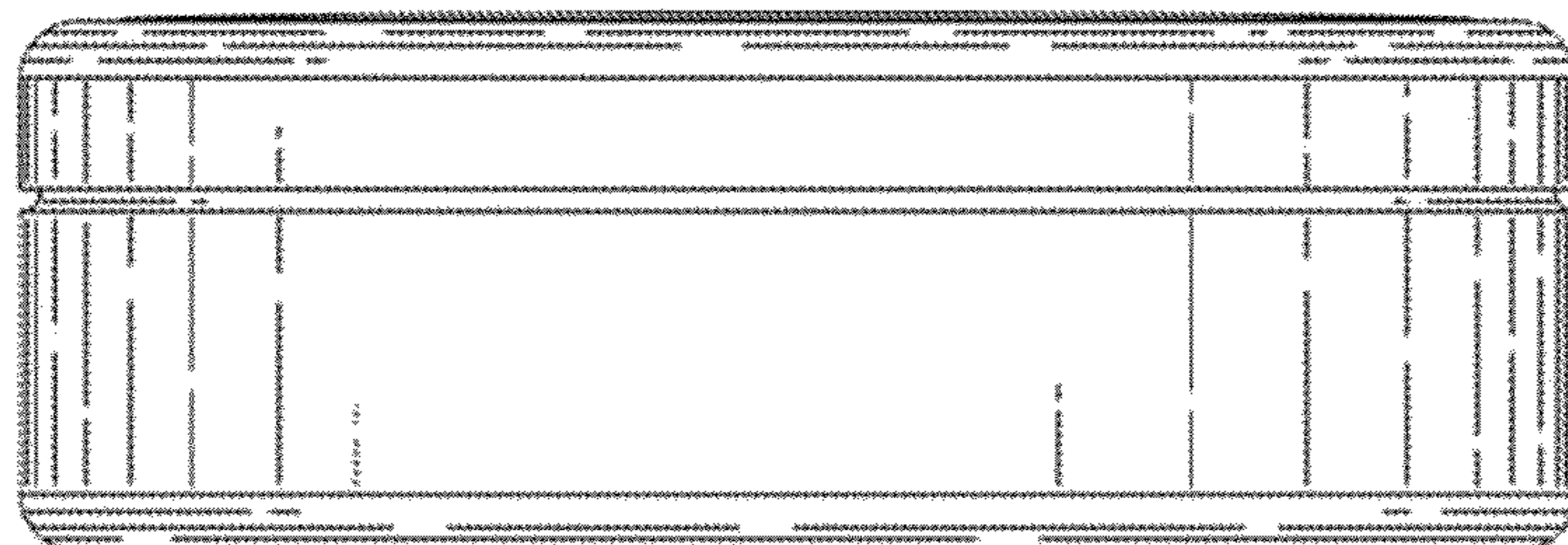


FIG. 20

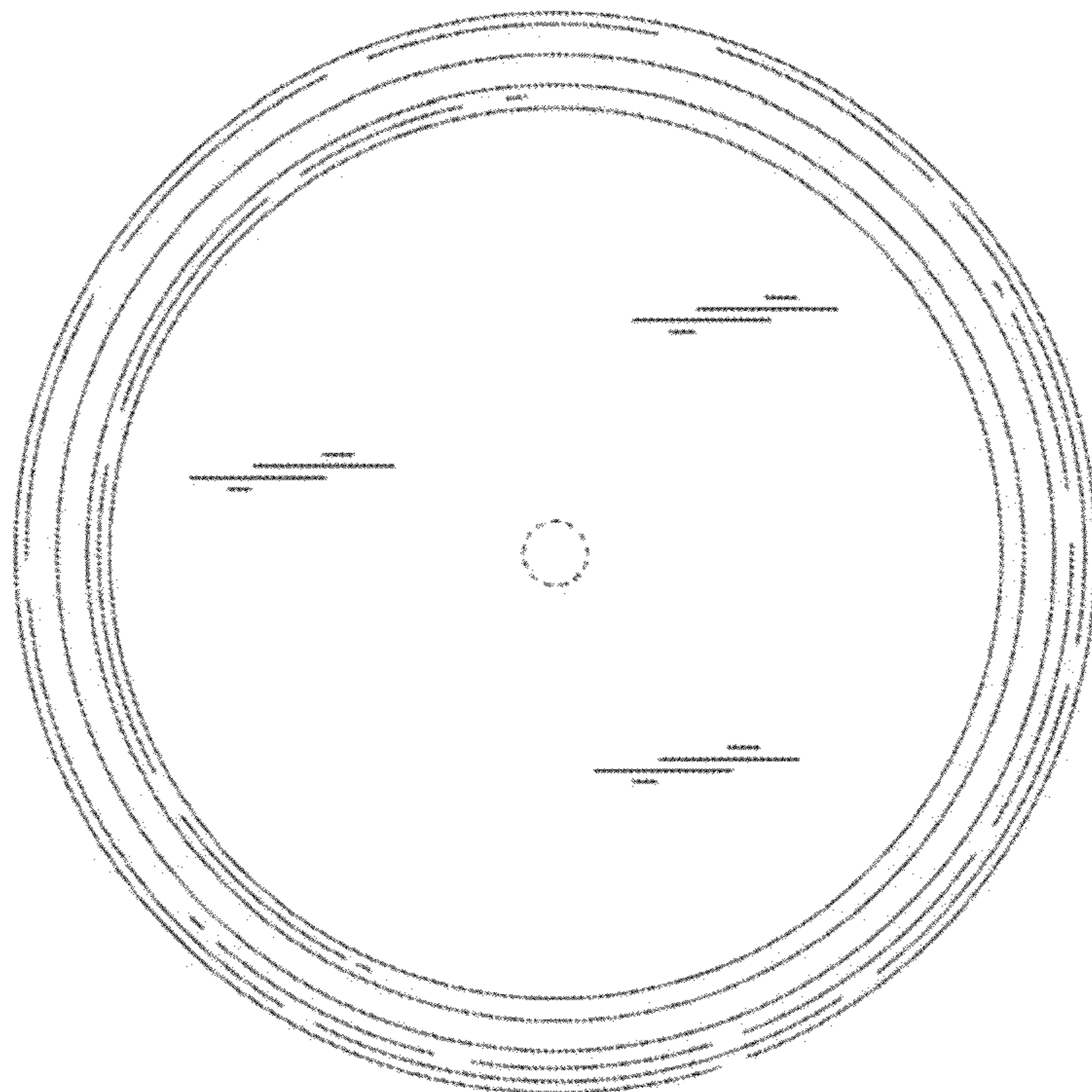


FIG. 21

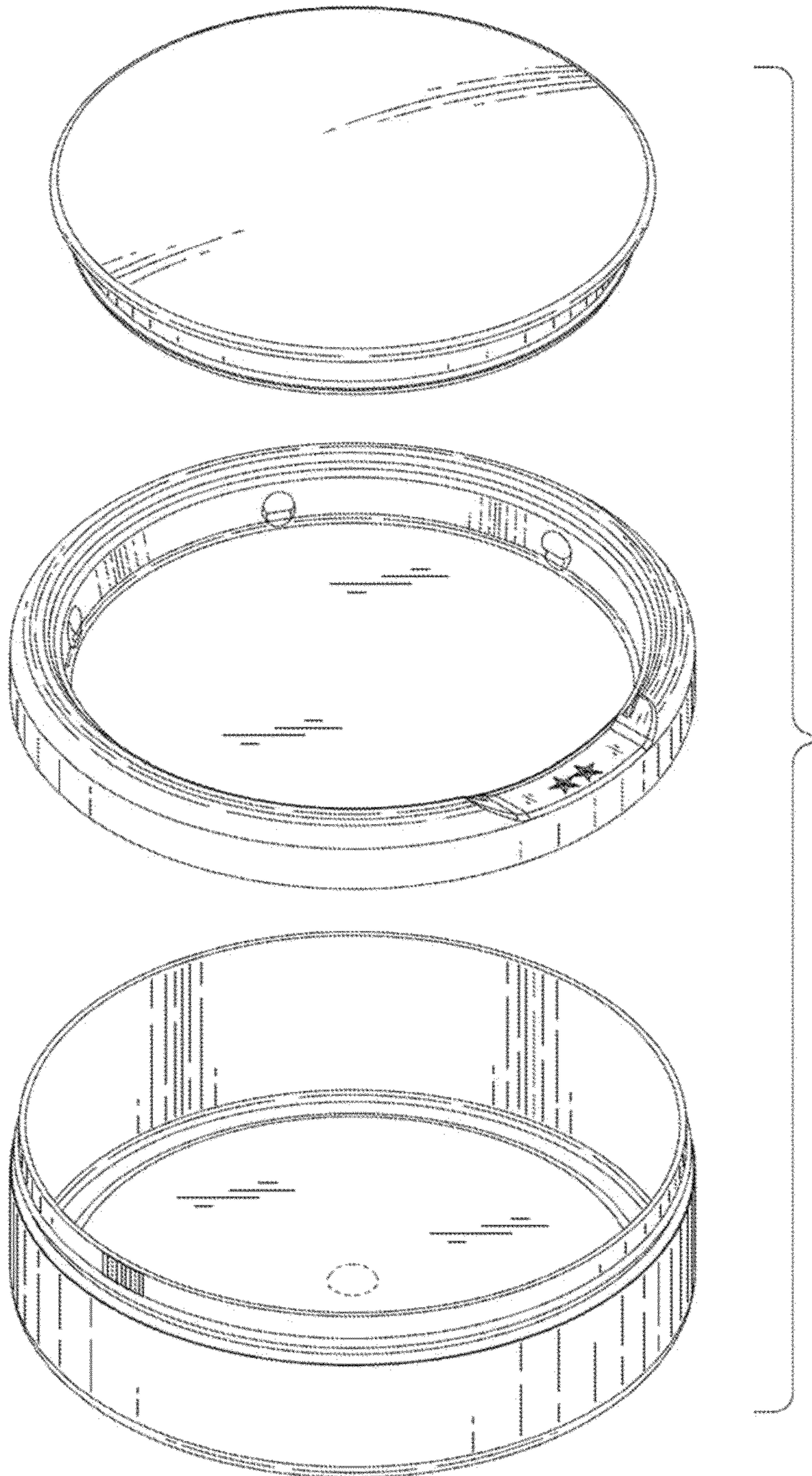


FIG. 22

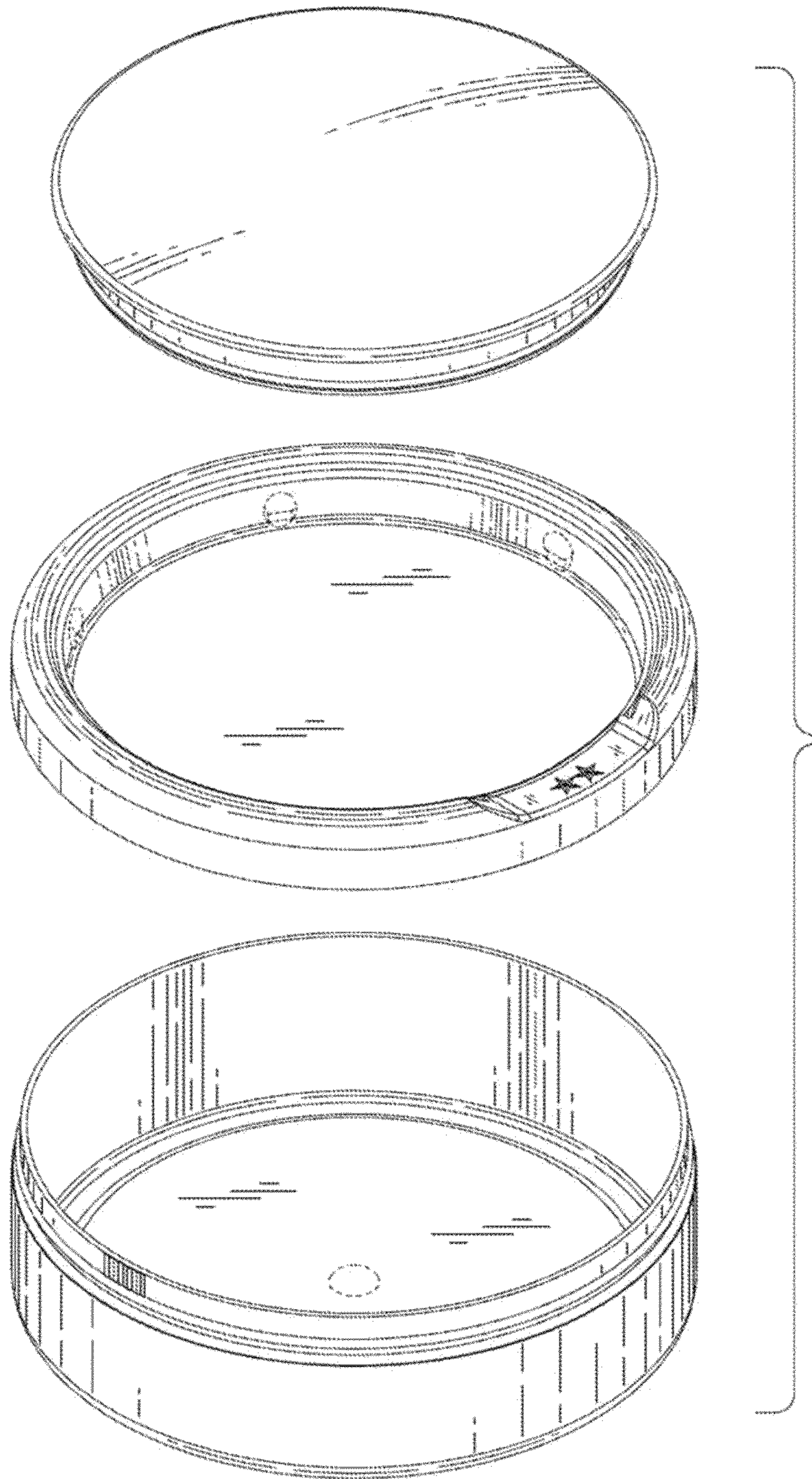


FIG. 23

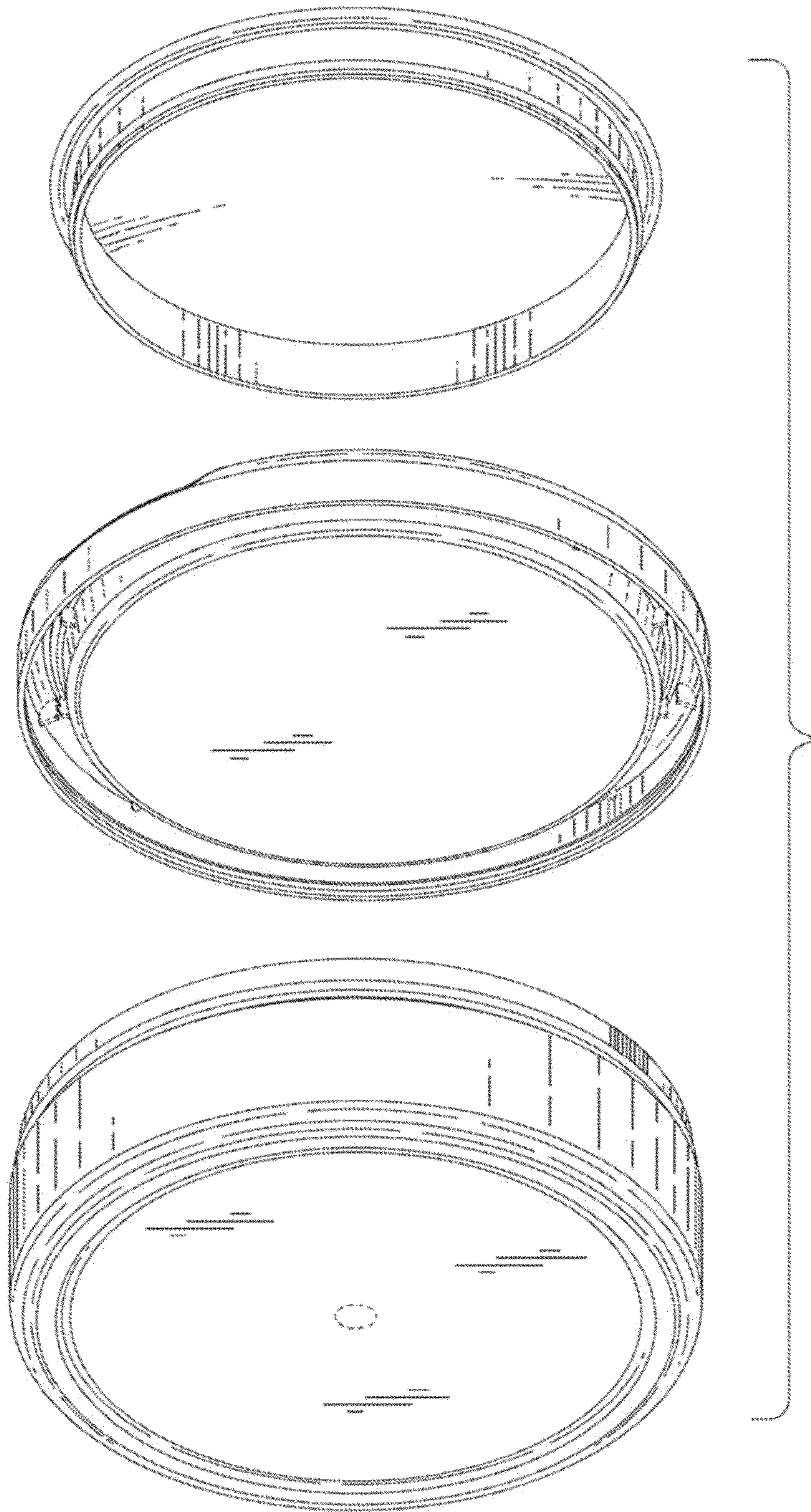


FIG. 24



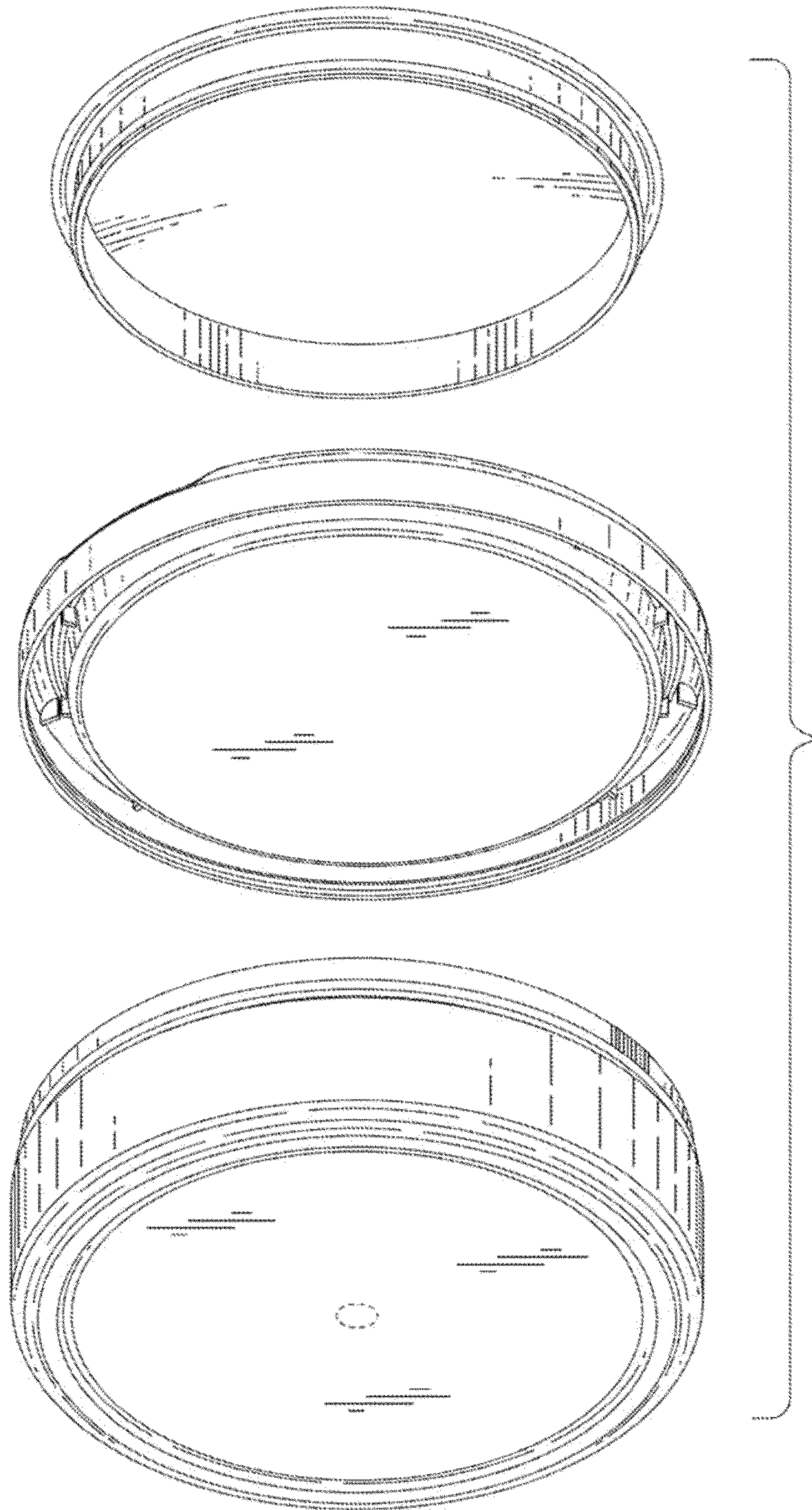


FIG. 25

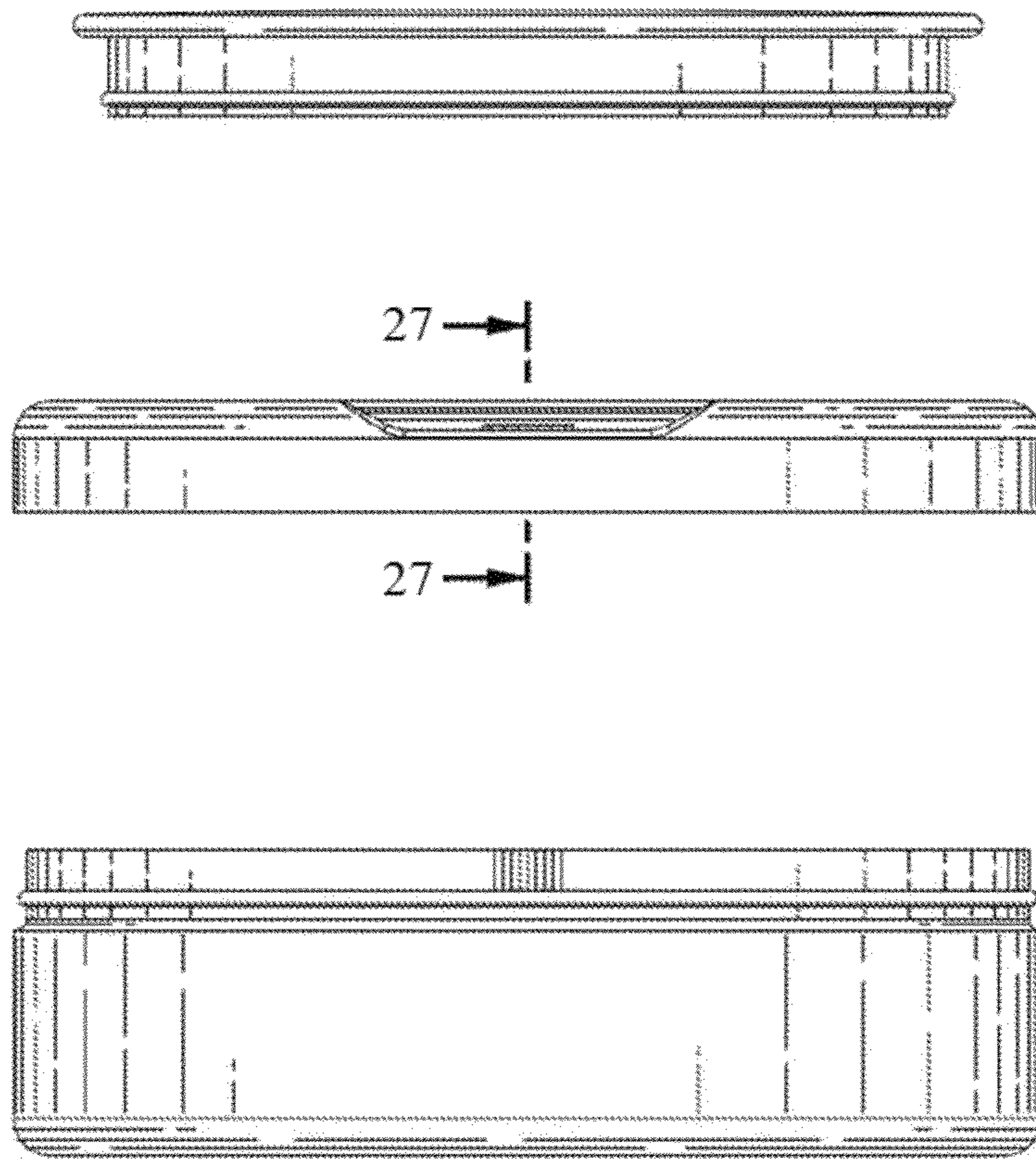


FIG. 26

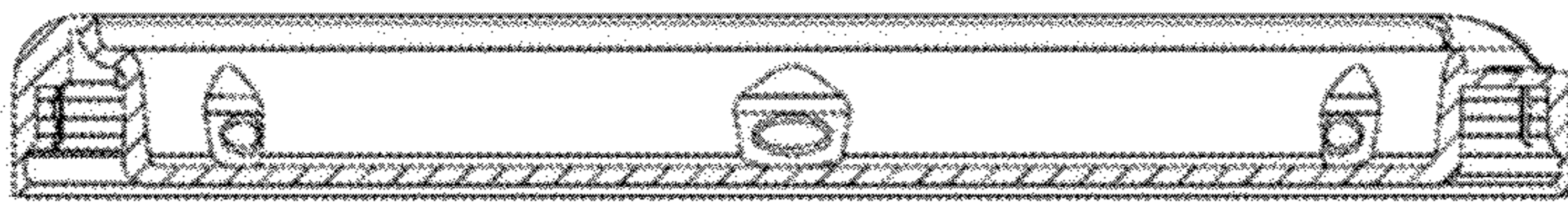


FIG. 27



FIG. 28

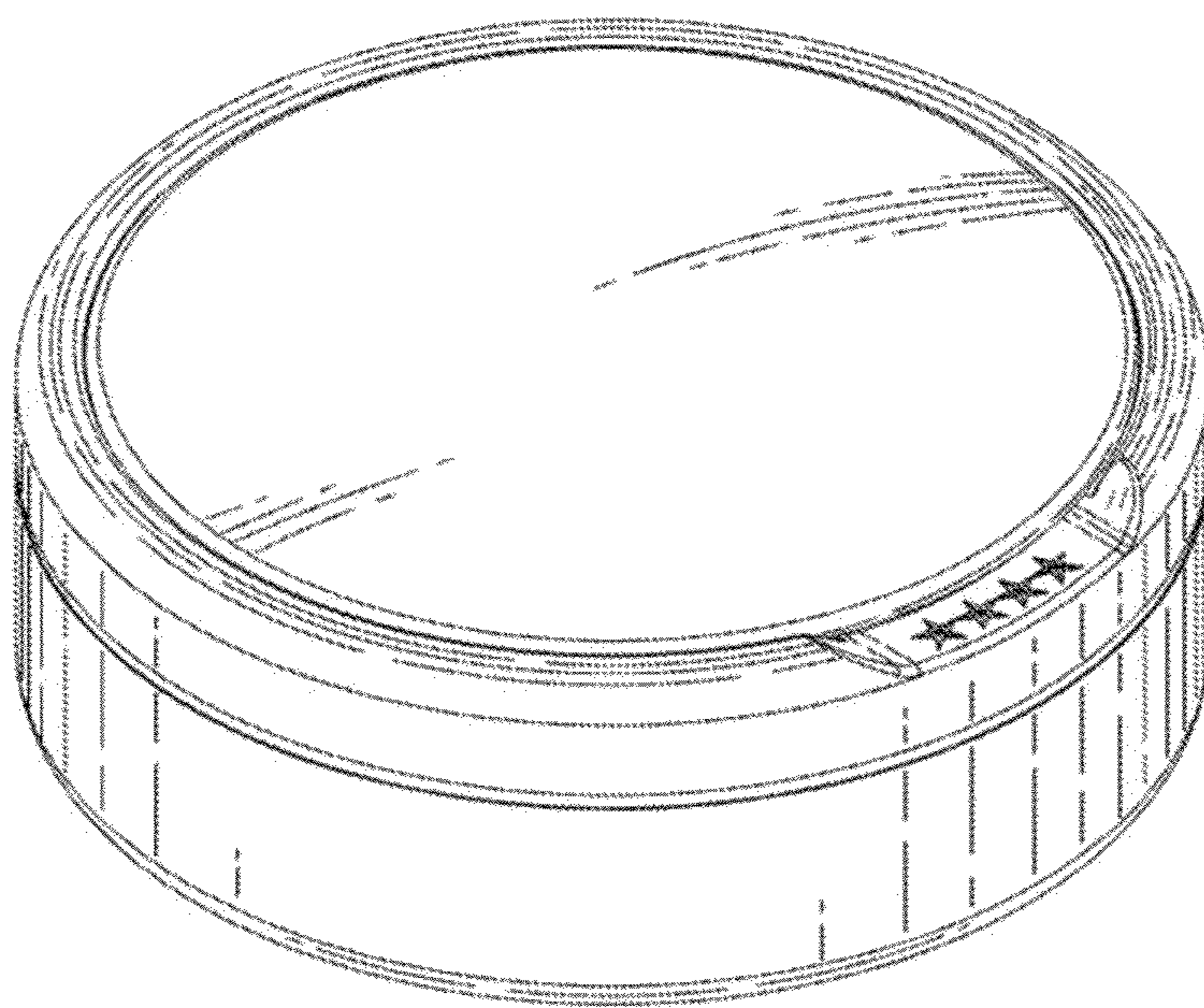


FIG. 29

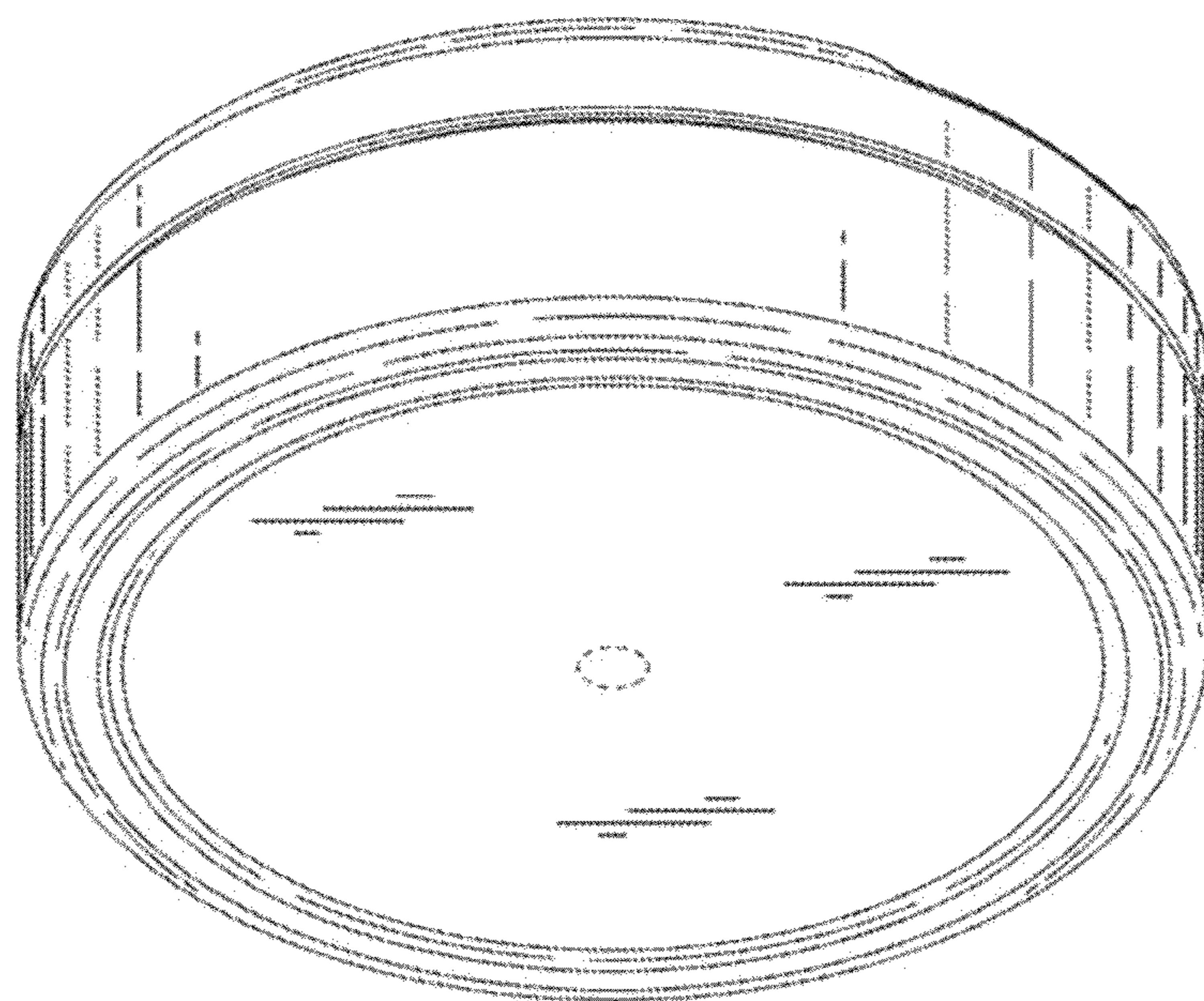


FIG. 30

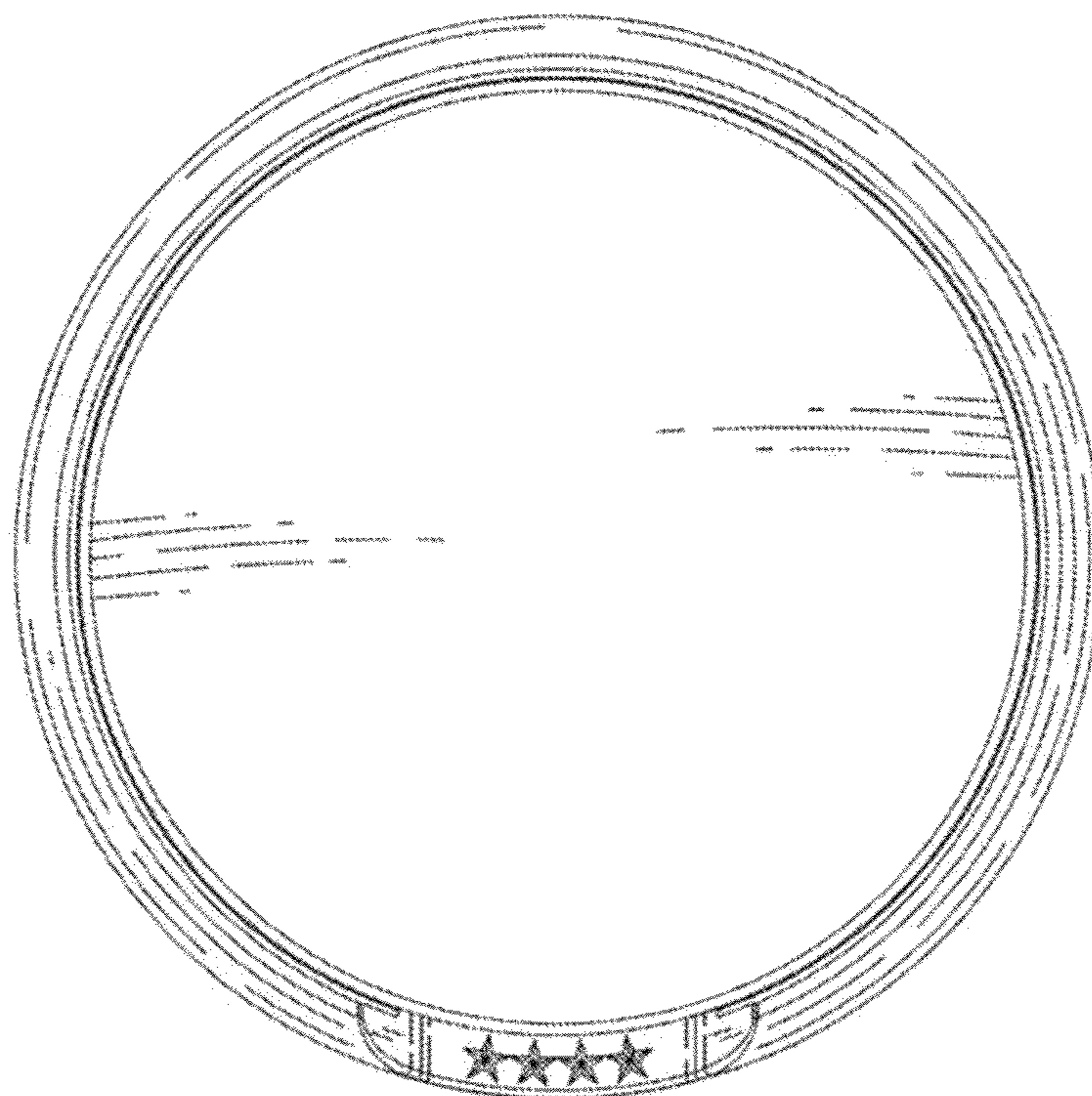


FIG. 31

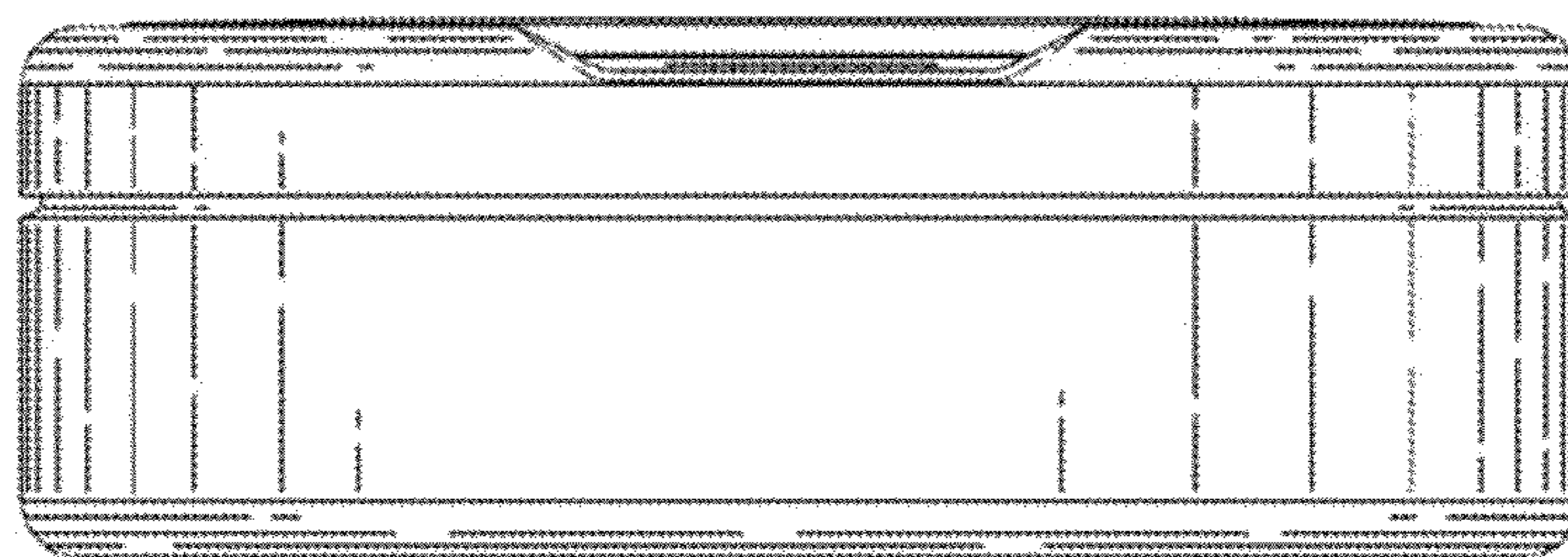


FIG. 32

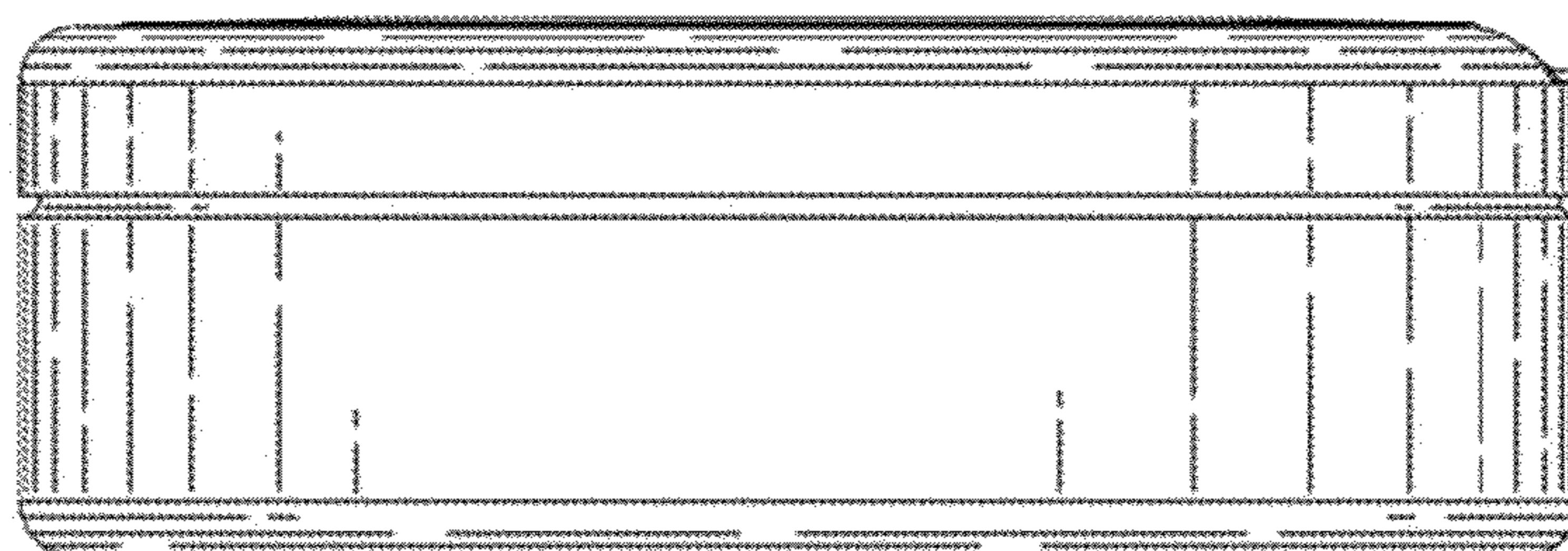


FIG. 33

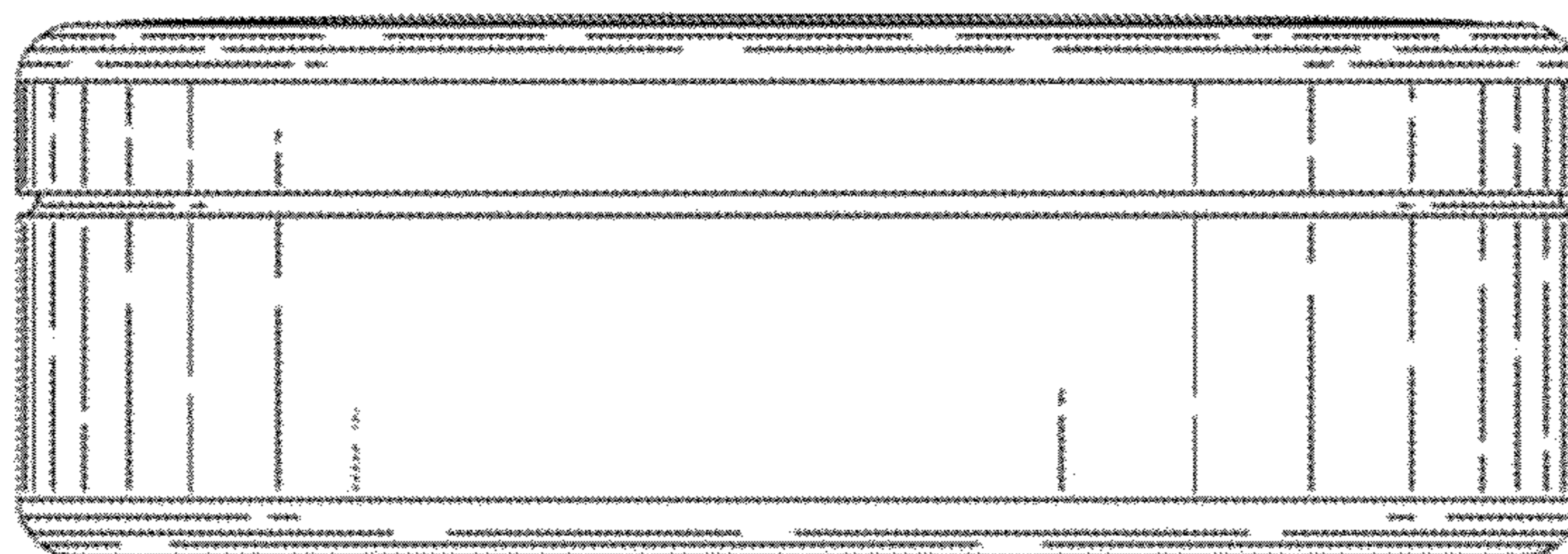


FIG. 34

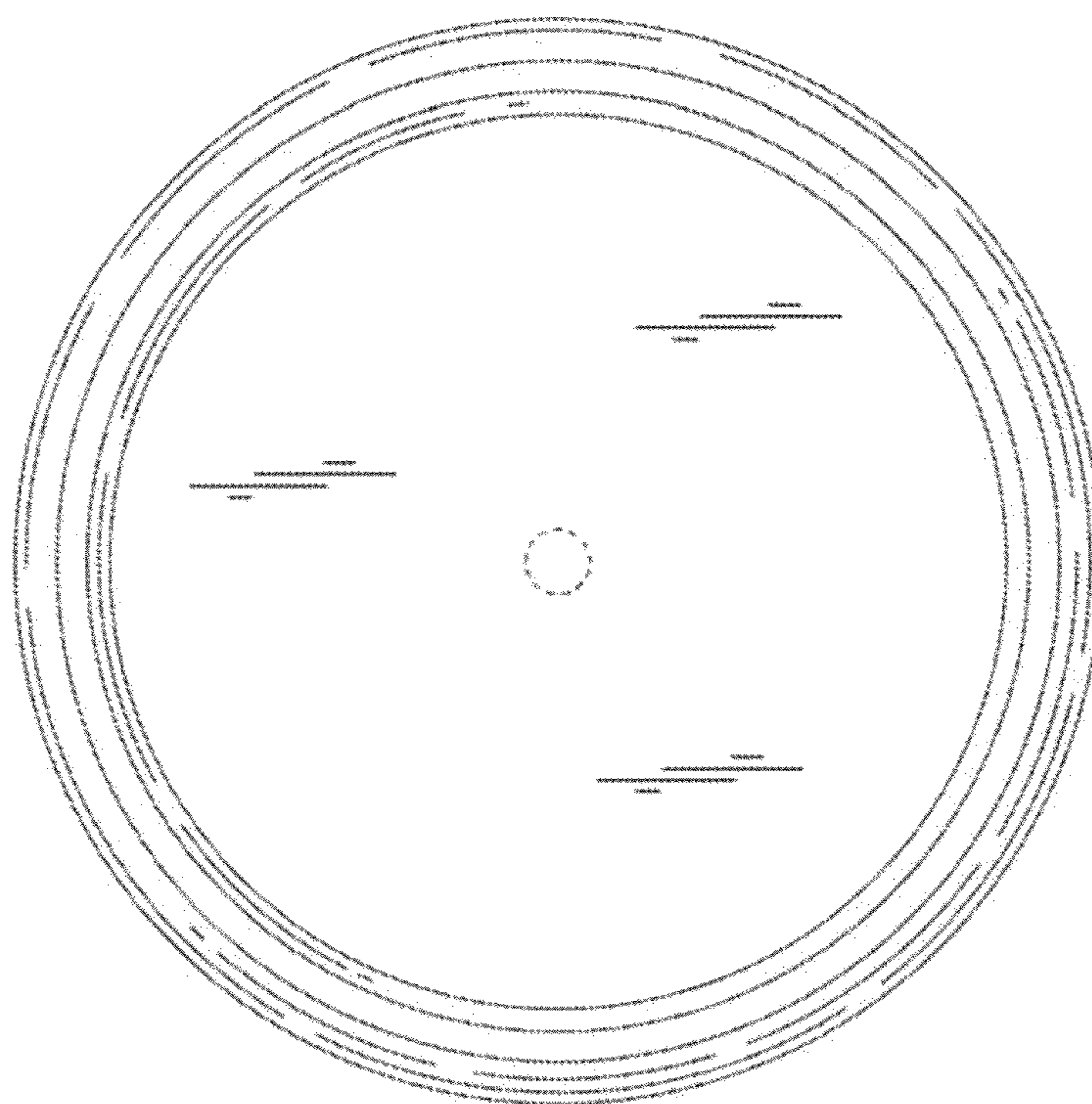


FIG. 35

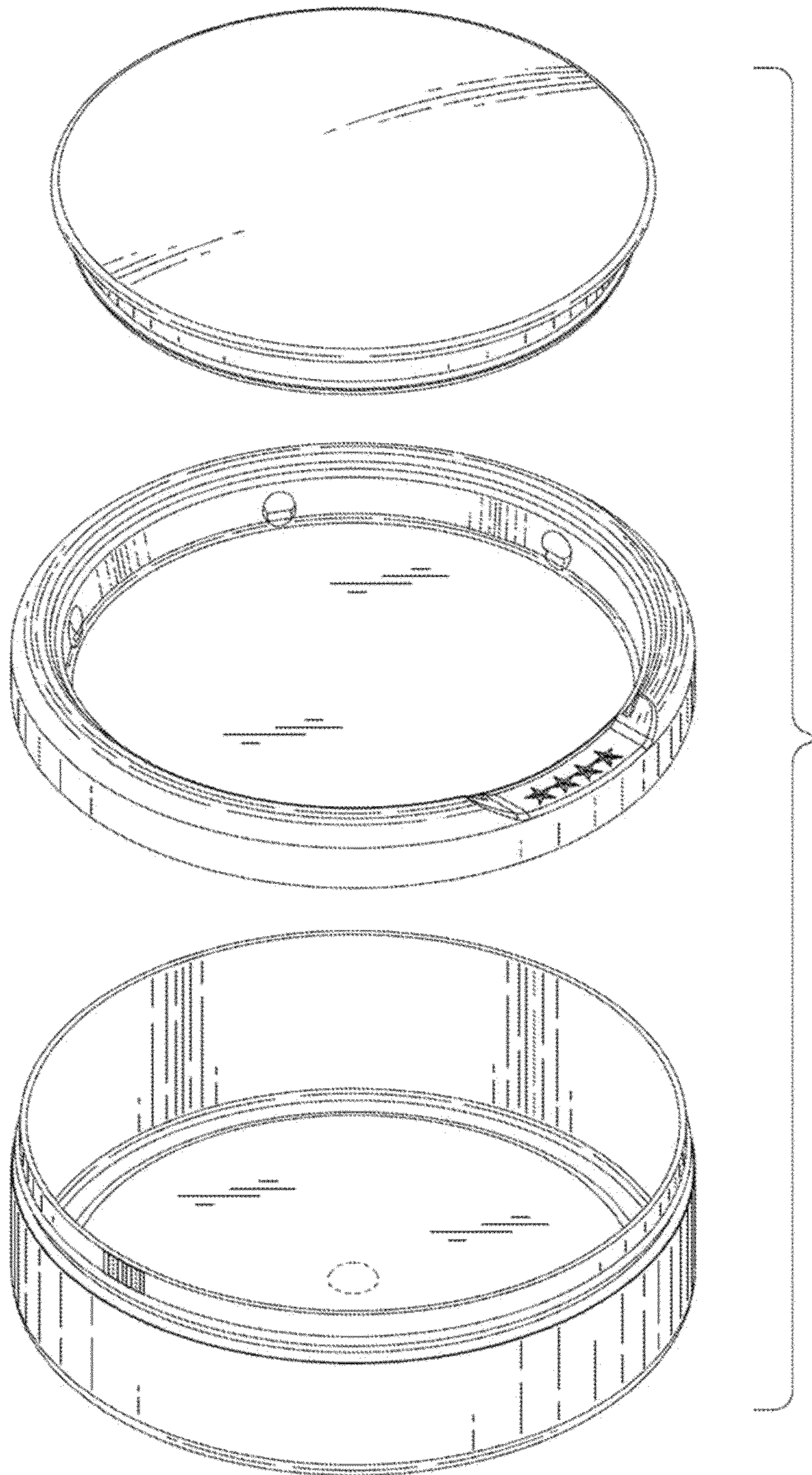


FIG. 36

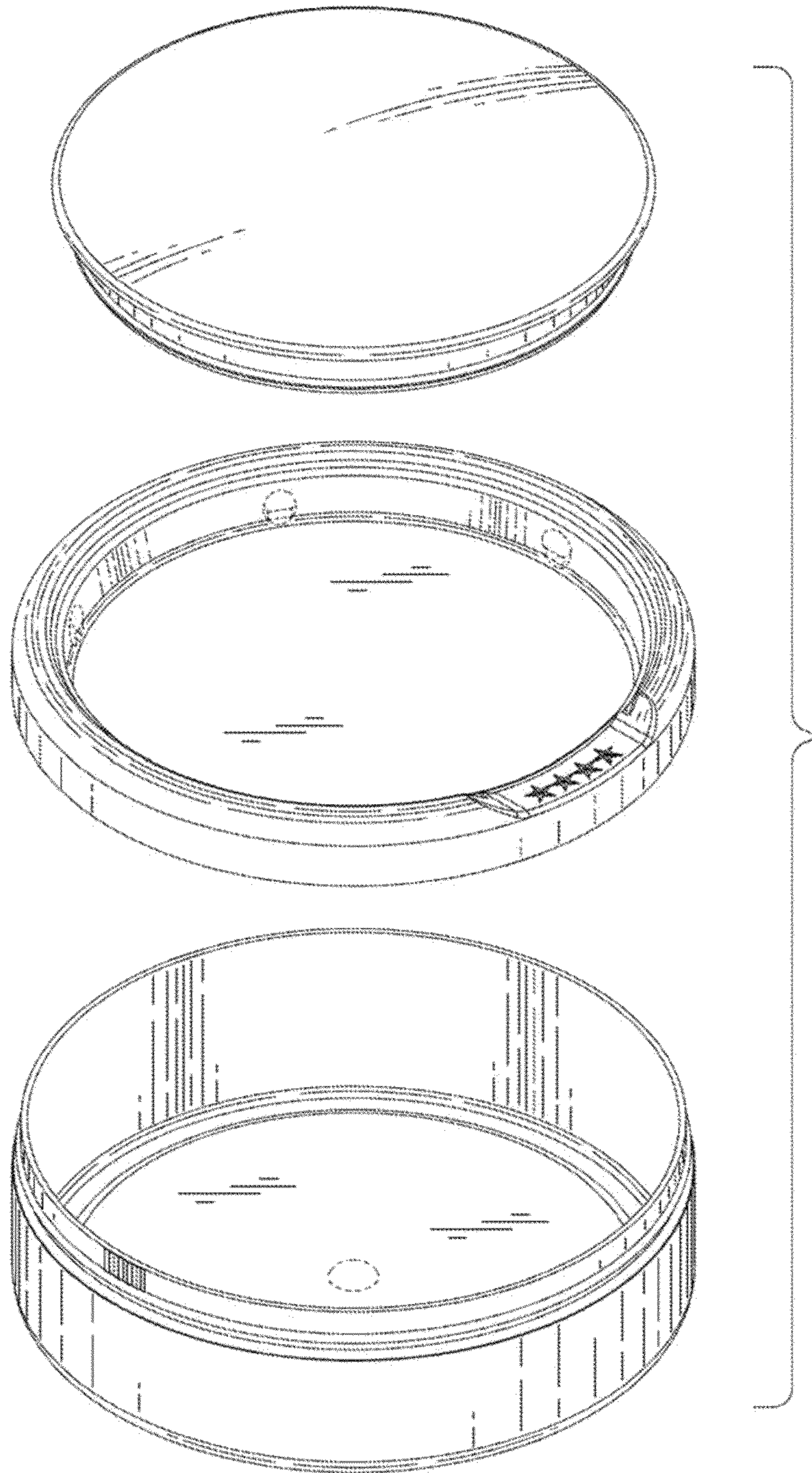


FIG. 37

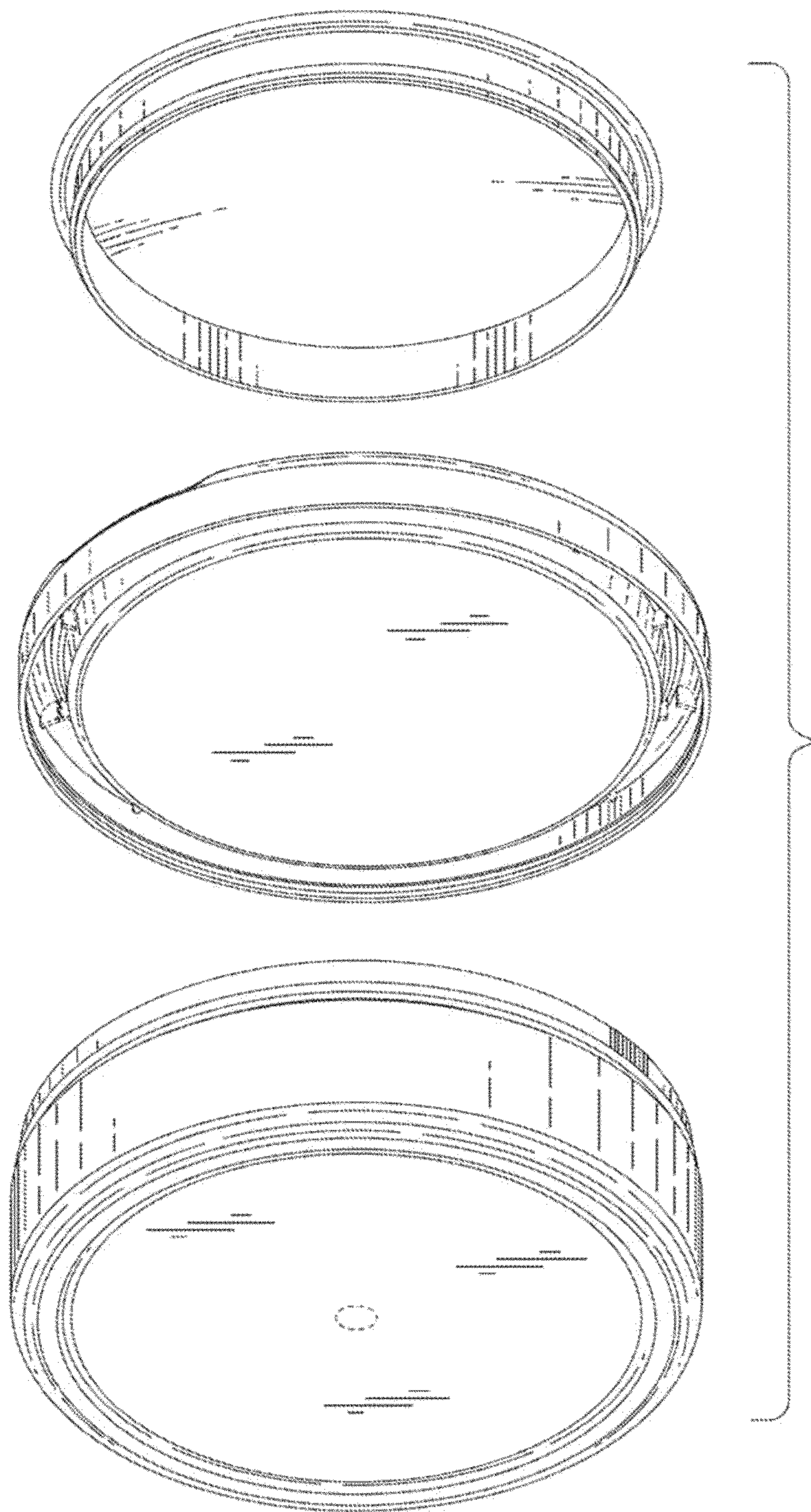


FIG. 38



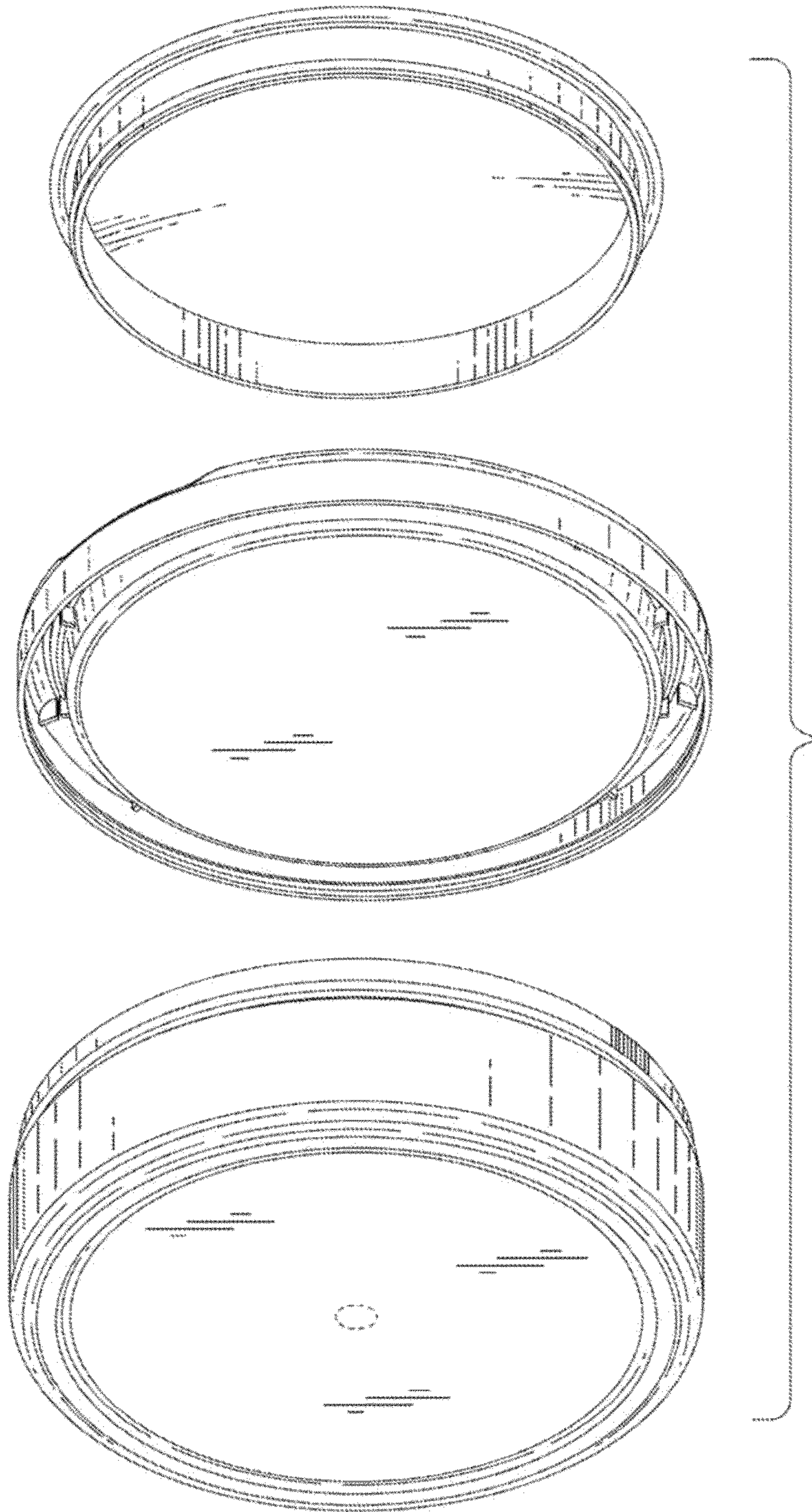


FIG. 39

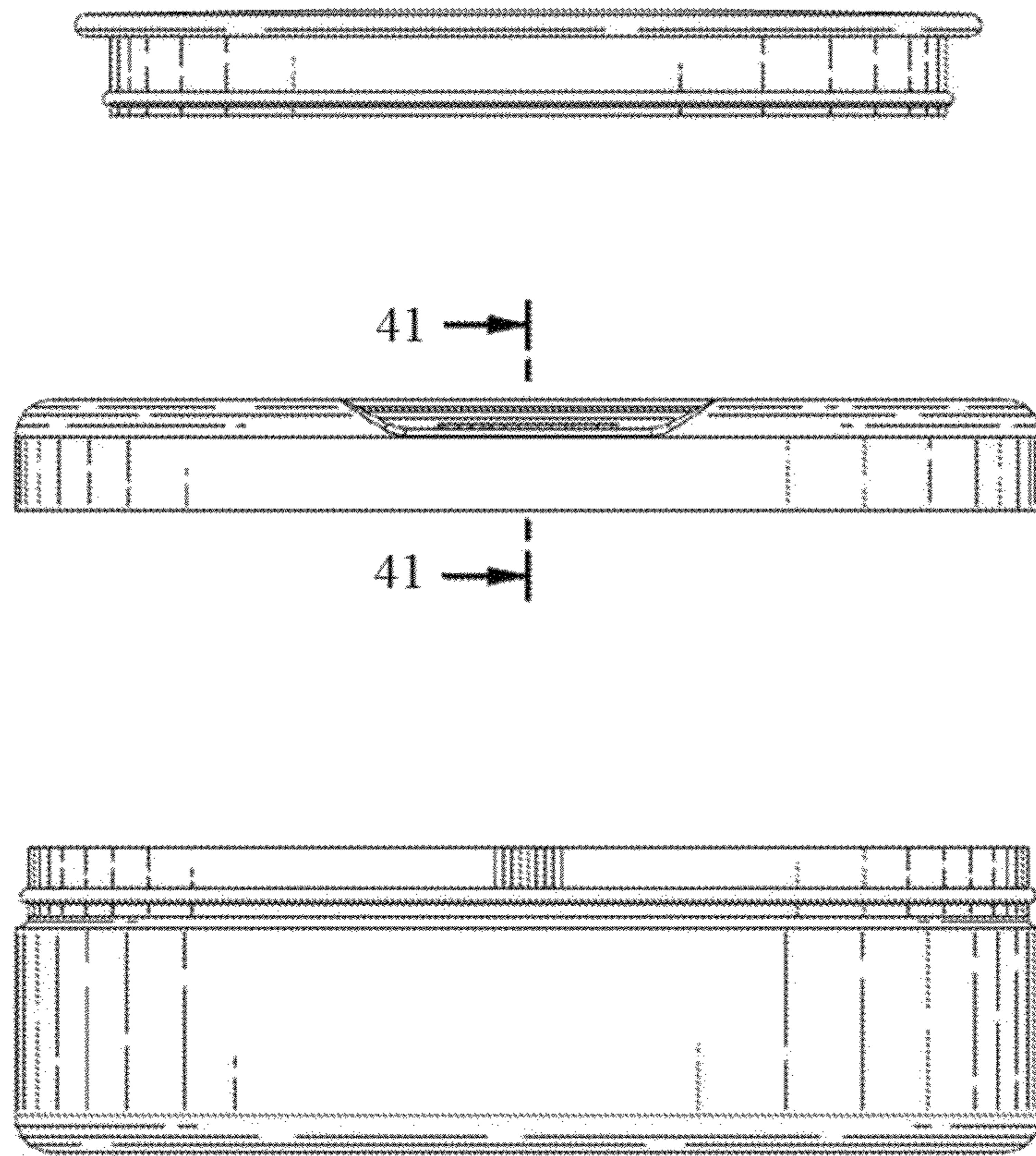


FIG. 40

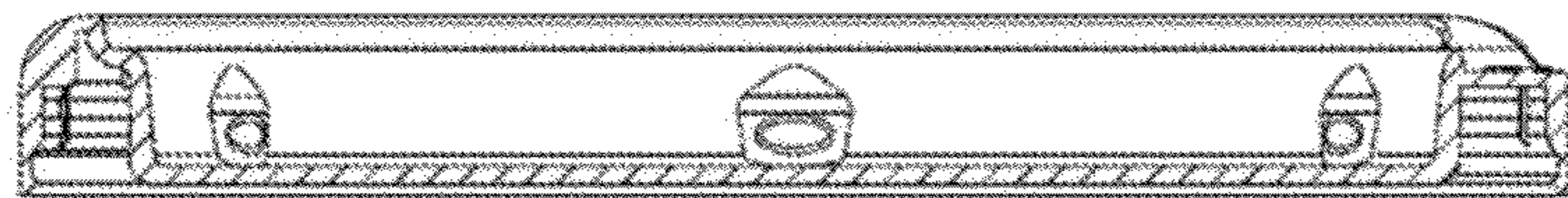


FIG. 41



FIG. 42

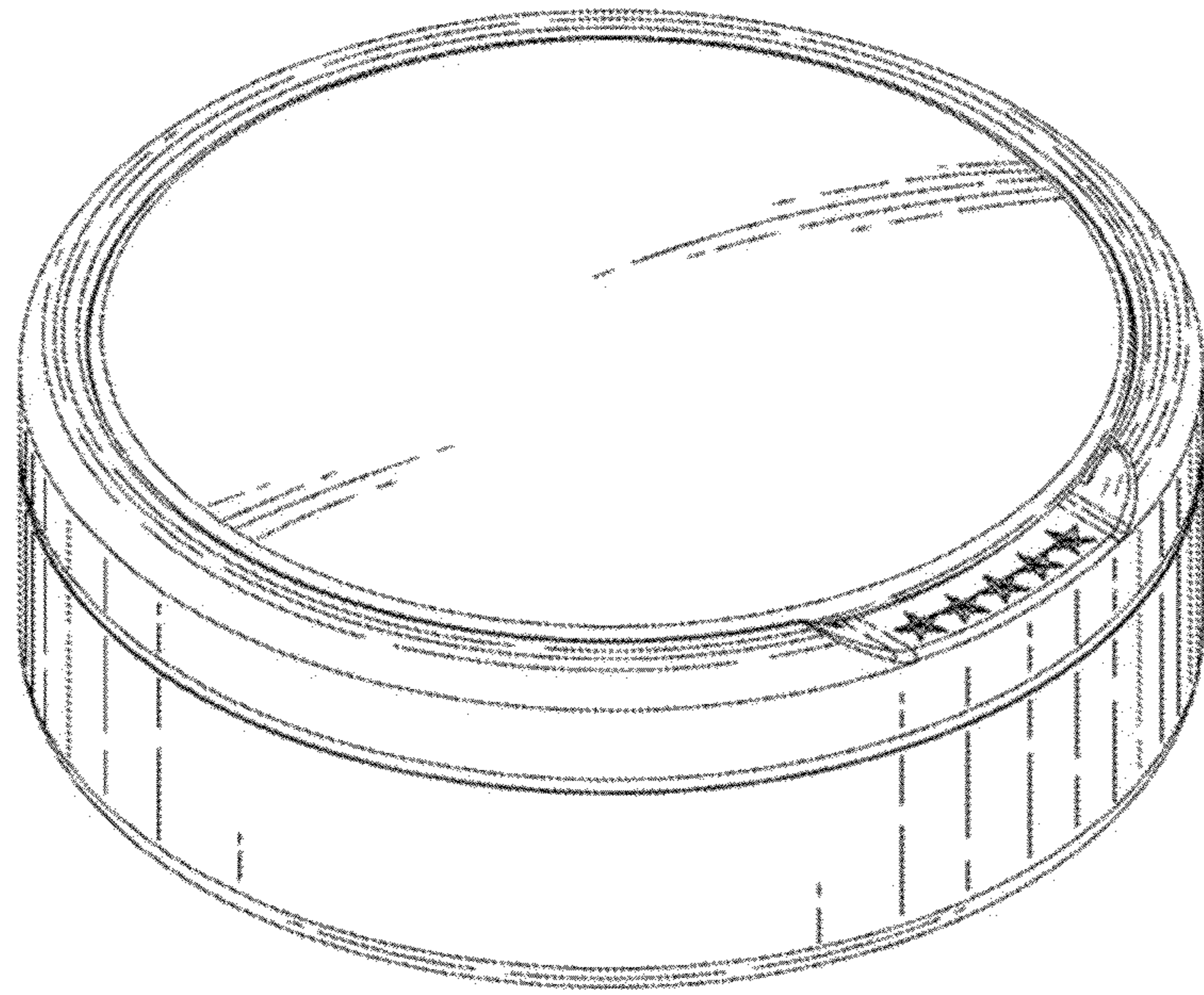


FIG. 43

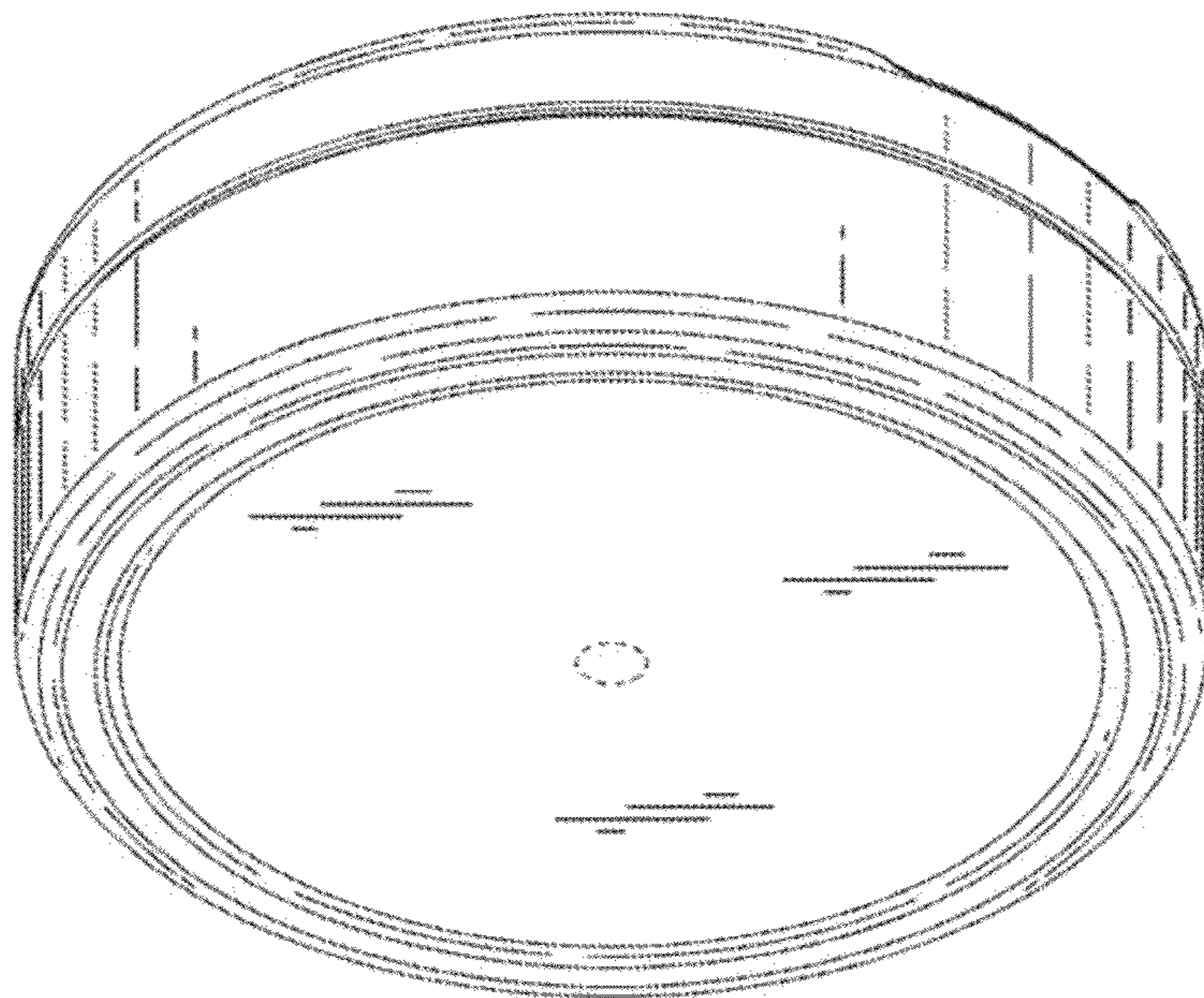


FIG. 44

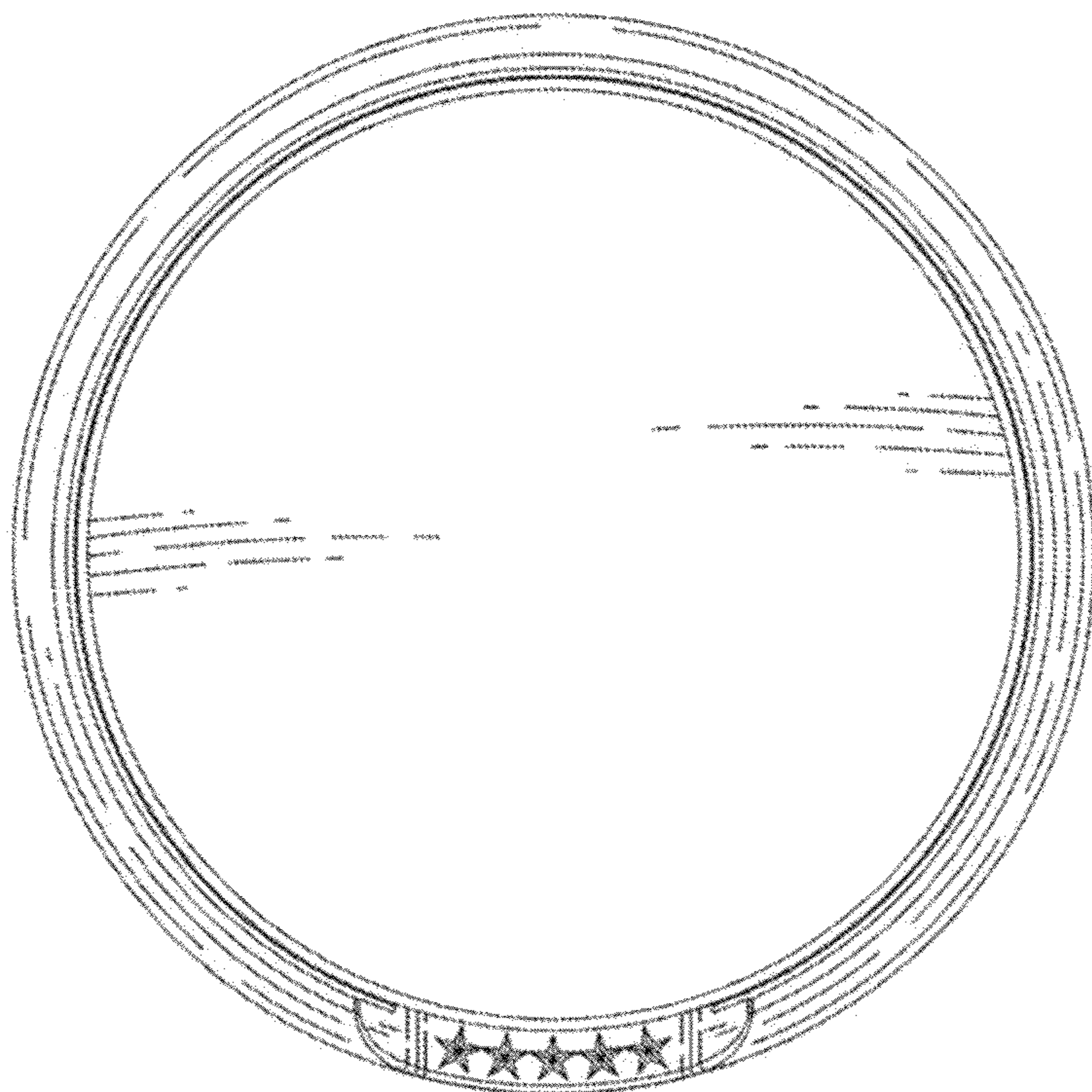


FIG. 45

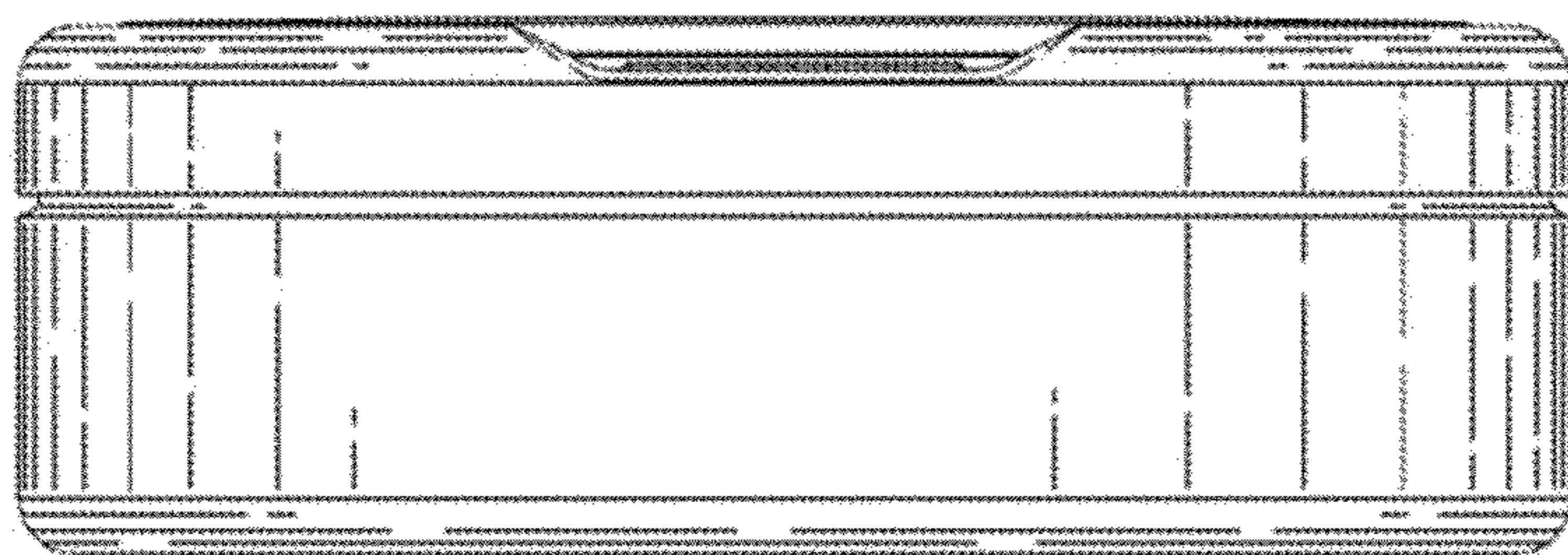


FIG. 46

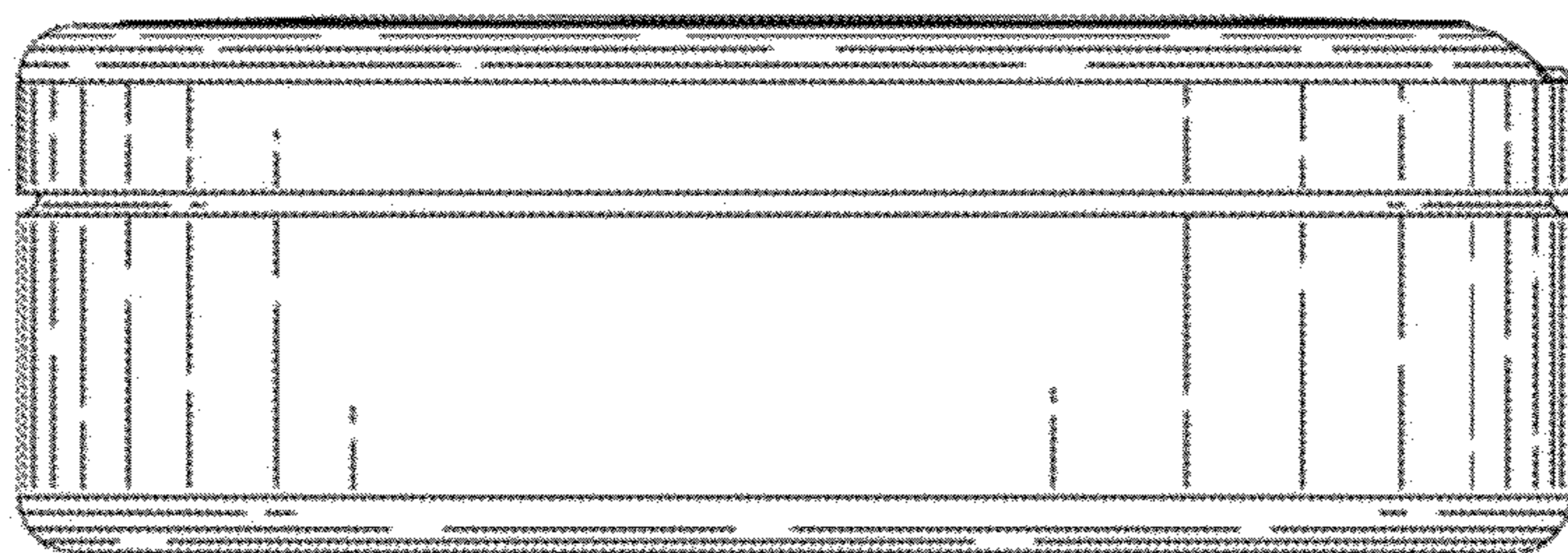


FIG. 47

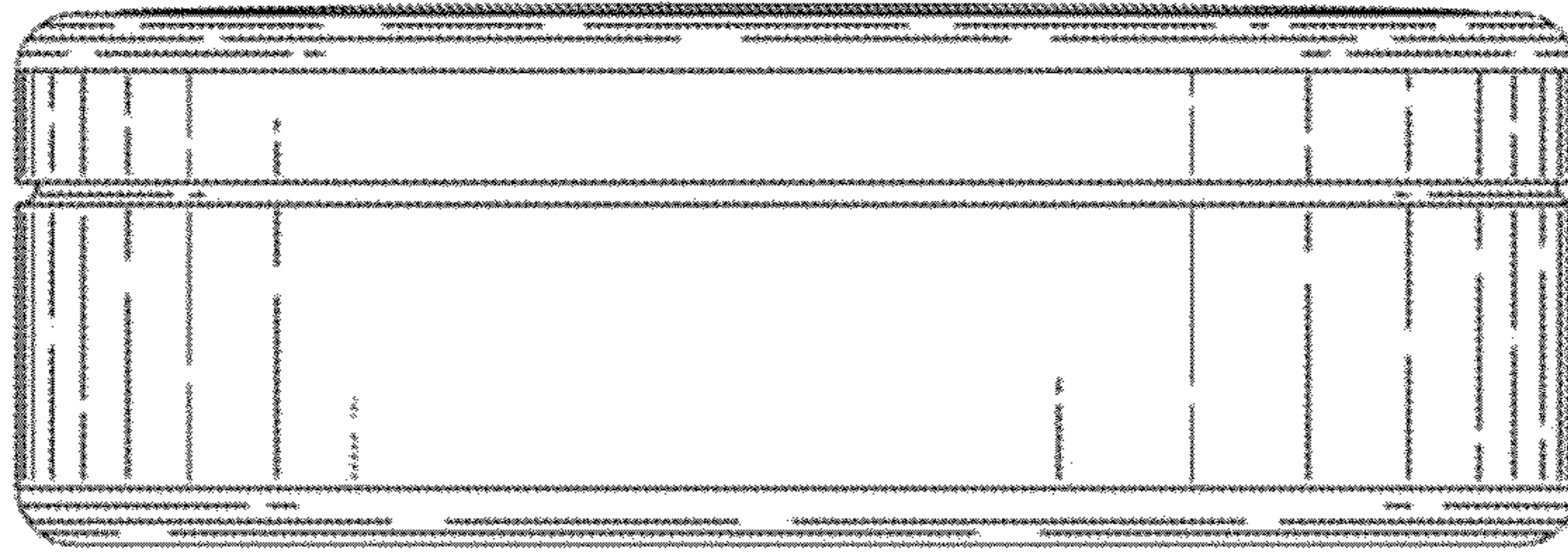


FIG. 48

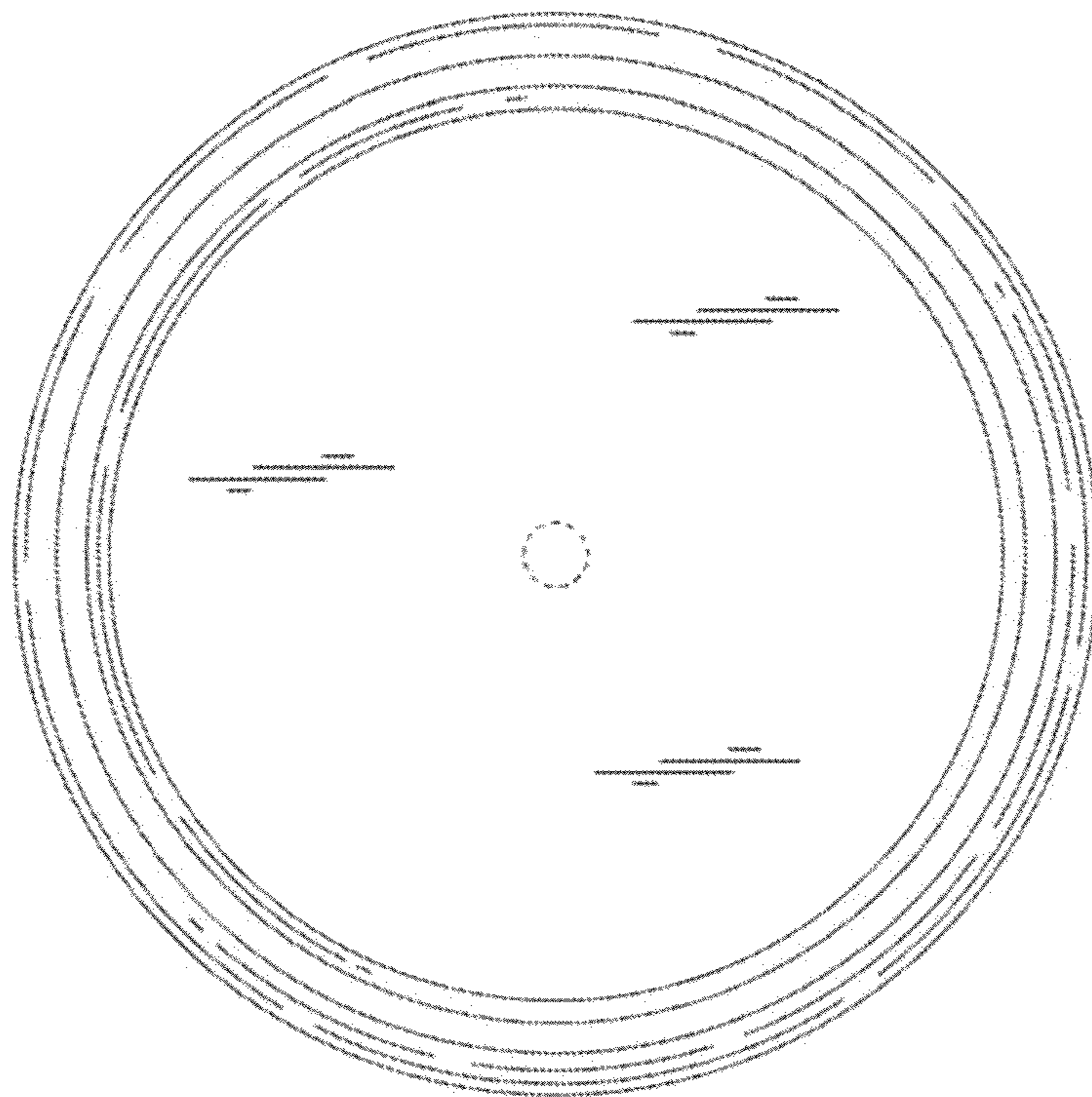


FIG. 49

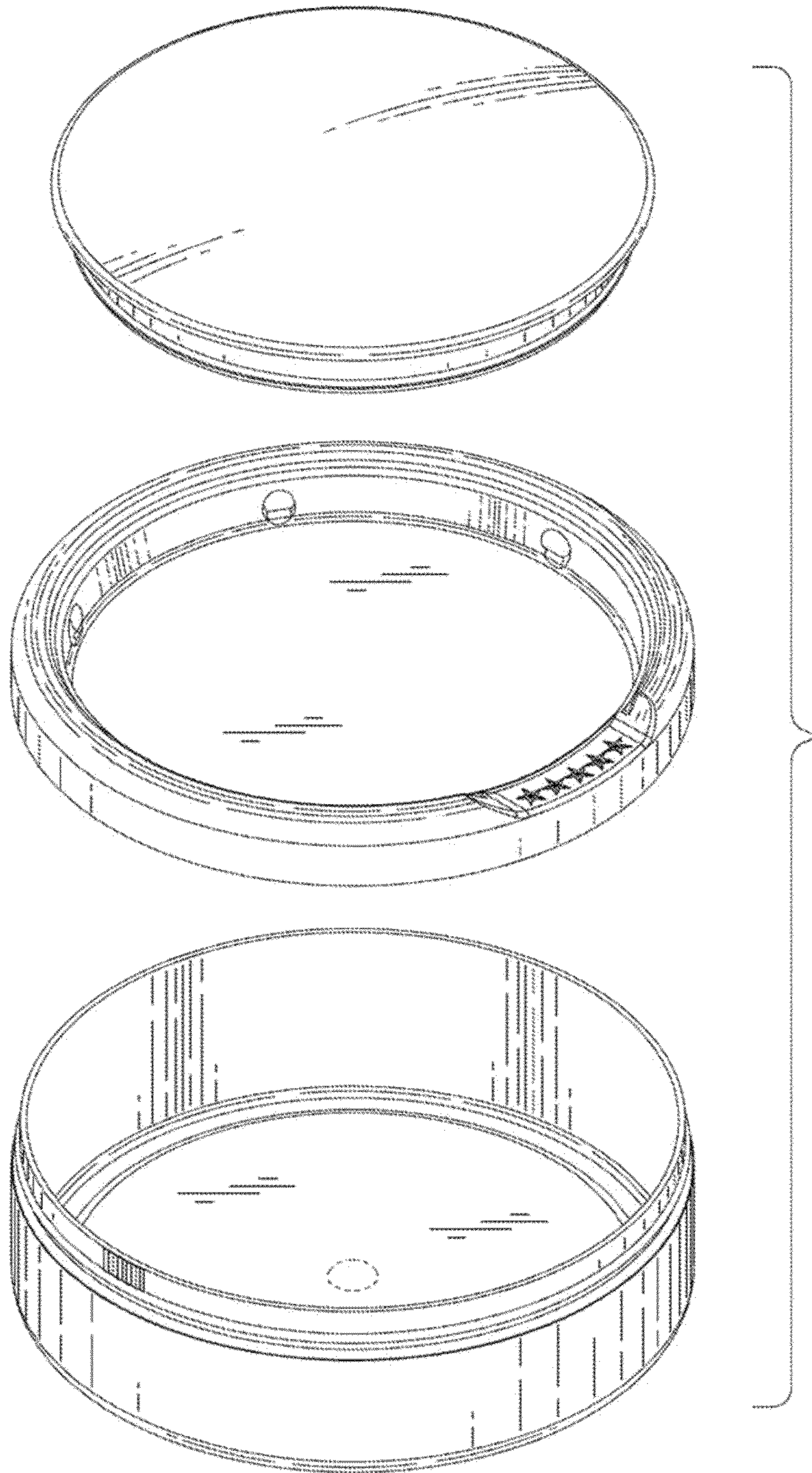


FIG. 50

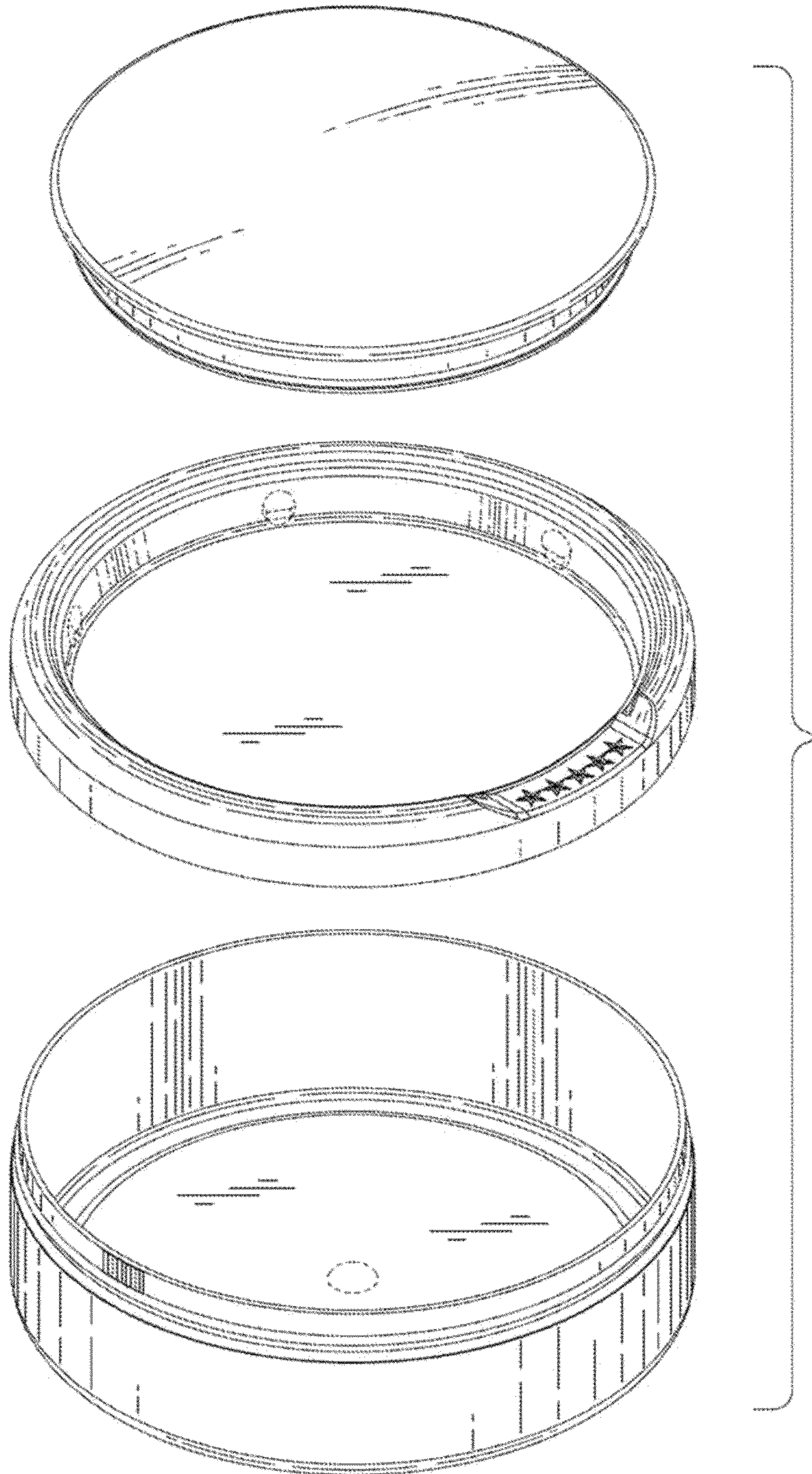


FIG. 51

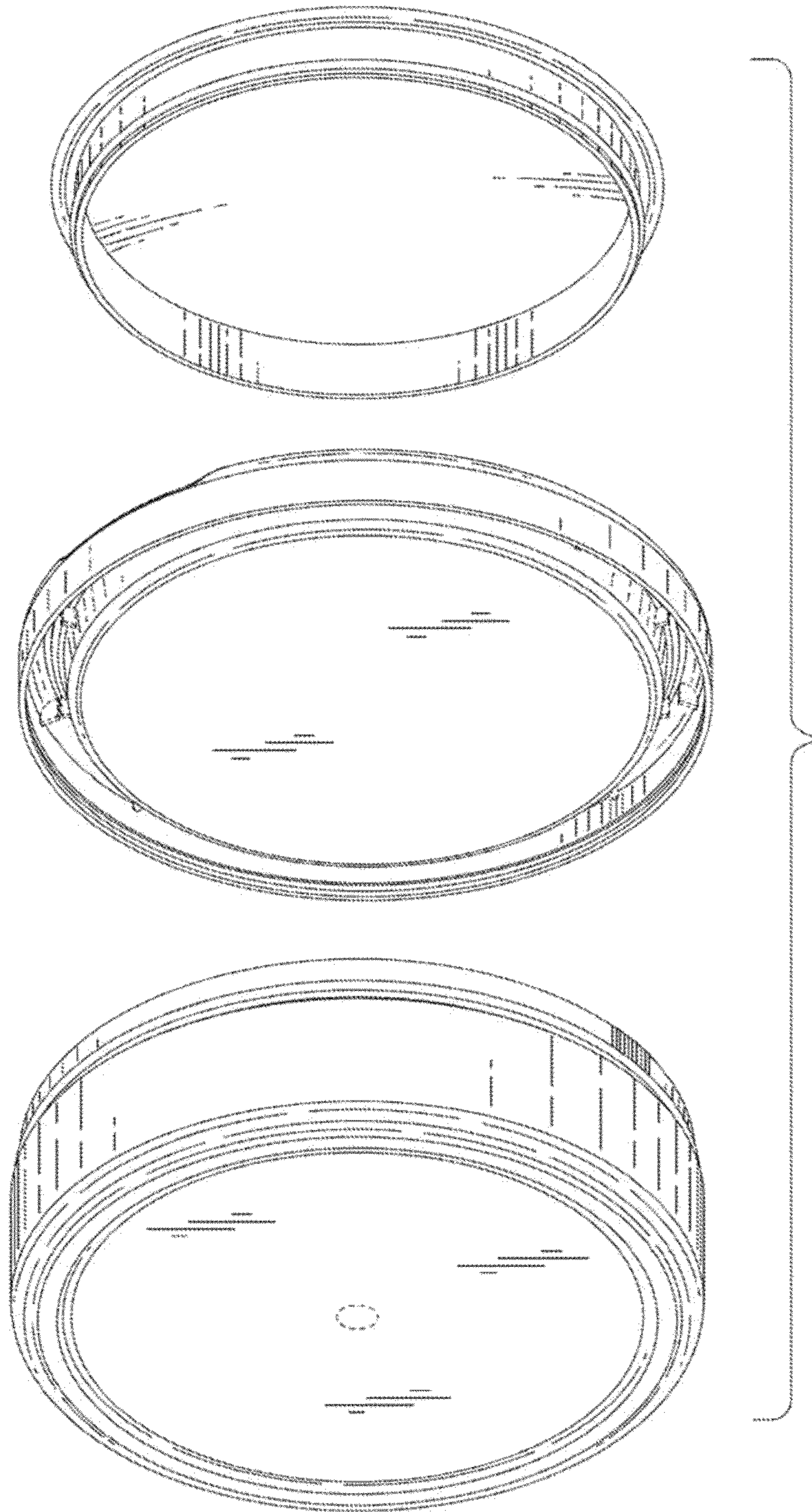


FIG. 52



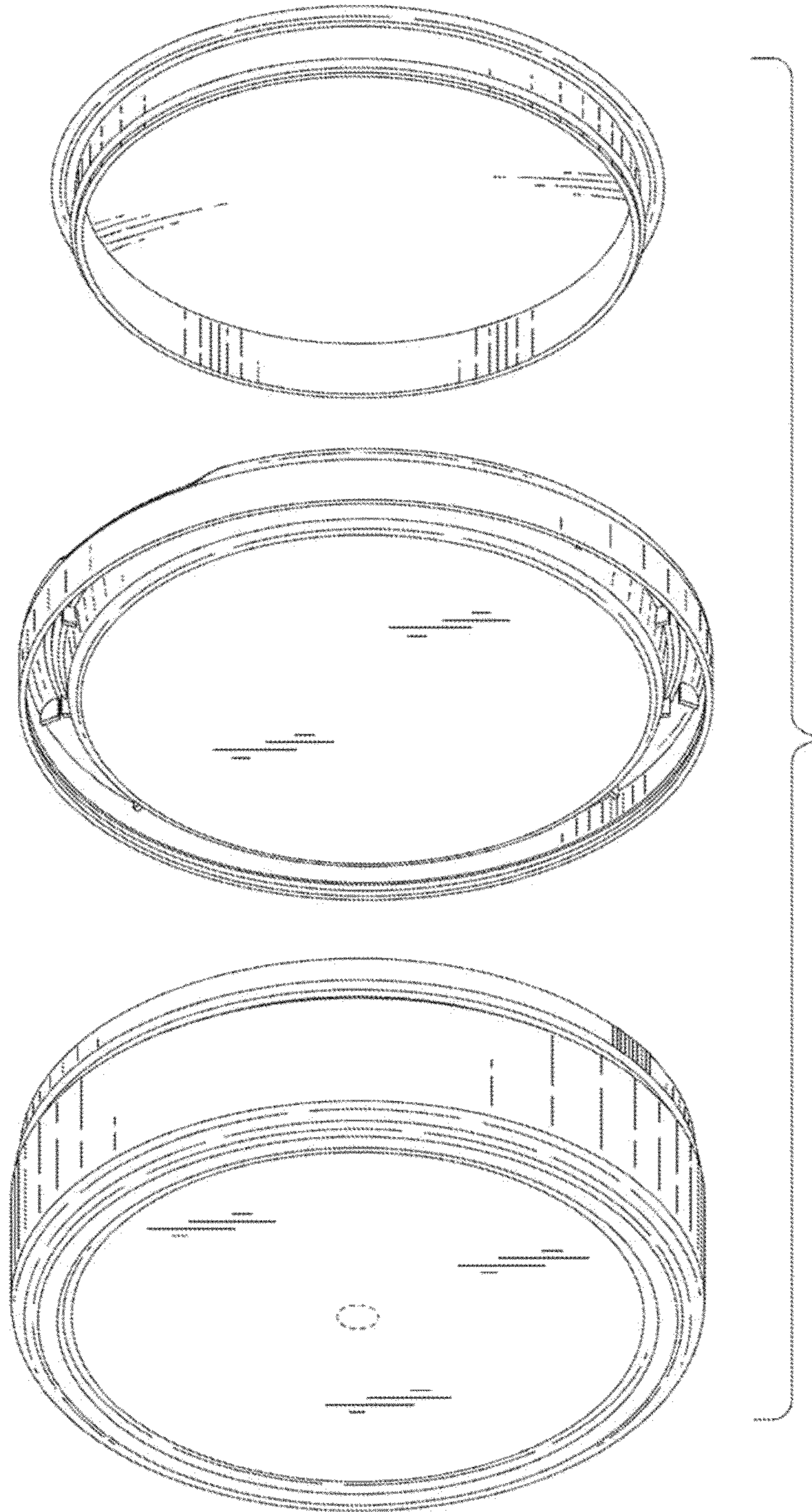


FIG. 53

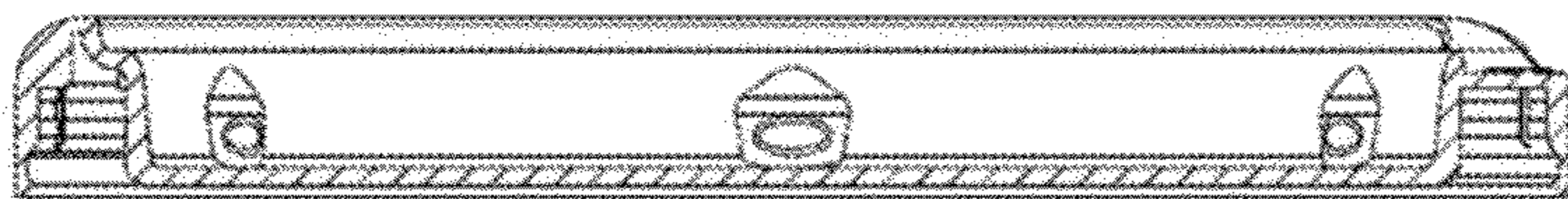
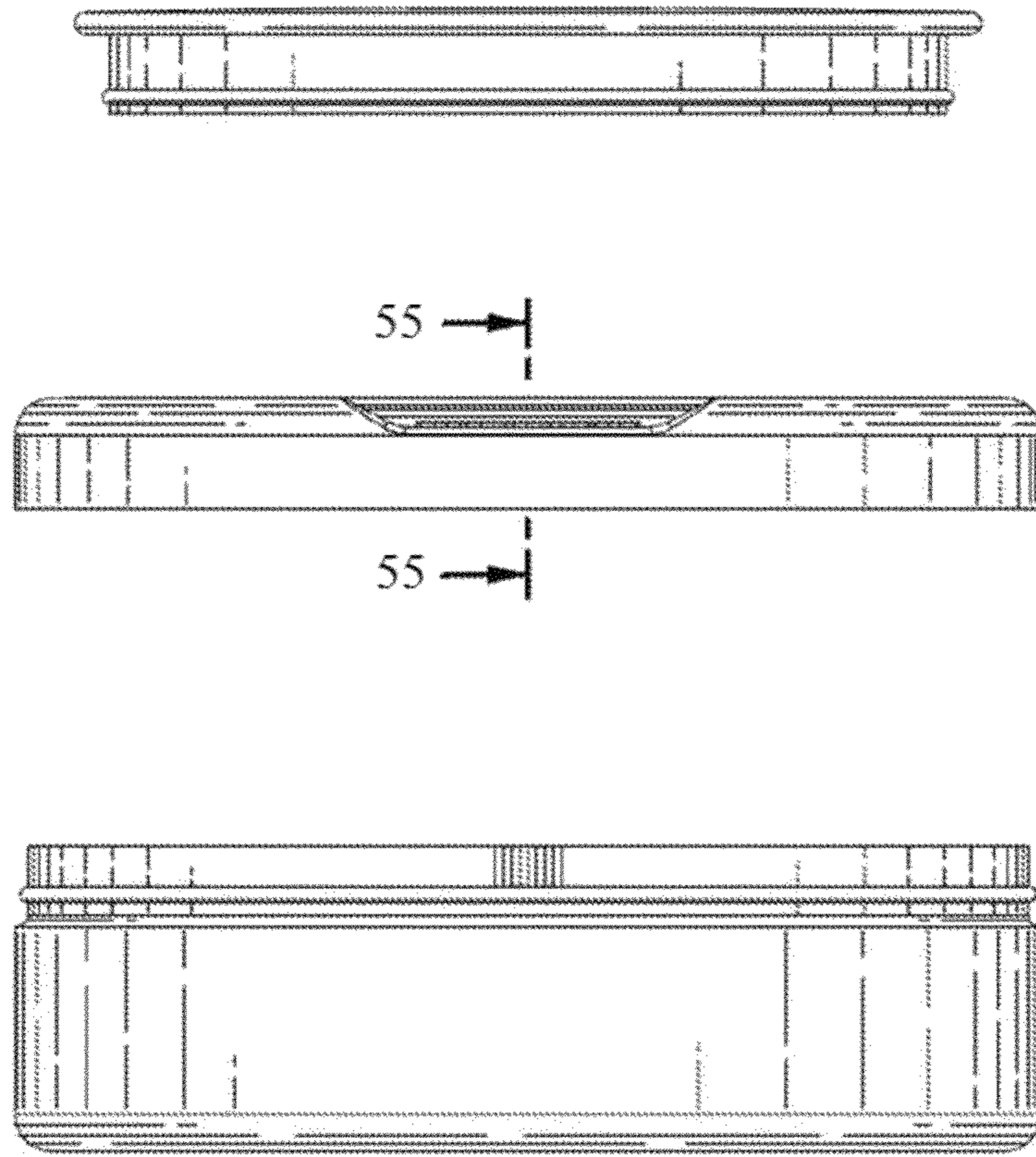


FIG. 55



FIG. 56