



US00D711249S

(12) **United States Design Patent**
Henriksson

(10) **Patent No.:** **US D711,249 S**

(45) **Date of Patent:** **** Aug. 19, 2014**

(54) **SNUFF CONTAINER**

(71) Applicant: **Nina Henriksson**, Stockholm (SE)

(72) Inventor: **Nina Henriksson**, Stockholm (SE)

(73) Assignee: **Swedish Match North Europe AB**,
Stockholm (SE)

(**) Term: **14 Years**

(21) Appl. No.: **29/445,567**

(22) Filed: **Feb. 13, 2013**

(51) **LOC (10) Cl.** **09-01**

(52) **U.S. Cl.**

USPC **D9/669**; D9/504

(58) **Field of Classification Search**

USPC D7/514–520, 613, 619.2, 623, 628,
D7/392.1; D9/600, 667, 669, 500–504,
D9/516, 529, 434–435, 441, 444–445,
D9/451; 206/494, 457, 459.1, 459.5;
215/230, 400

See application file for complete search history.

(56) **References Cited**

U.S. PATENT DOCUMENTS

3,388,841	A	*	6/1968	McHardy et al.	D9/451
D242,768	S	*	12/1976	Frohling	D9/669
D314,912	S	*	2/1991	Rey Pascual	D9/500
D332,403	S	*	1/1993	Johnson, III	D9/451
D476,572	S	*	7/2003	Merritt	D9/504
D494,064	S	*	8/2004	Hook	D9/451
D494,474	S	*	8/2004	Houk et al.	D9/504
D509,432	S	*	9/2005	Hierzer et al.	D9/447
D510,524	S	*	10/2005	Houk et al.	D9/503
D512,636	S	*	12/2005	Pace	D9/504
D513,386	S	*	1/2006	Pace et al.	D9/504
D514,936	S	*	2/2006	Pace et al.	D9/504
D515,426	S	*	2/2006	Pace et al.	D9/504
D515,429	S	*	2/2006	Pace	D9/529

D515,928	S	*	2/2006	Pace	D9/504
D523,752	S	*	6/2006	Bried et al.	D9/504
D541,176	S	*	4/2007	Bried	D9/504
D581,809	S	*	12/2008	Wichowski	D9/504
D592,956	S	*	5/2009	Thiellier	D9/504
D603,261	S	*	11/2009	Arnell et al.	D9/453
D644,118	S	*	8/2011	Giles	D9/667

(Continued)

Primary Examiner — Sandra Morris

(74) *Attorney, Agent, or Firm* — Haynes and Boone, LLP

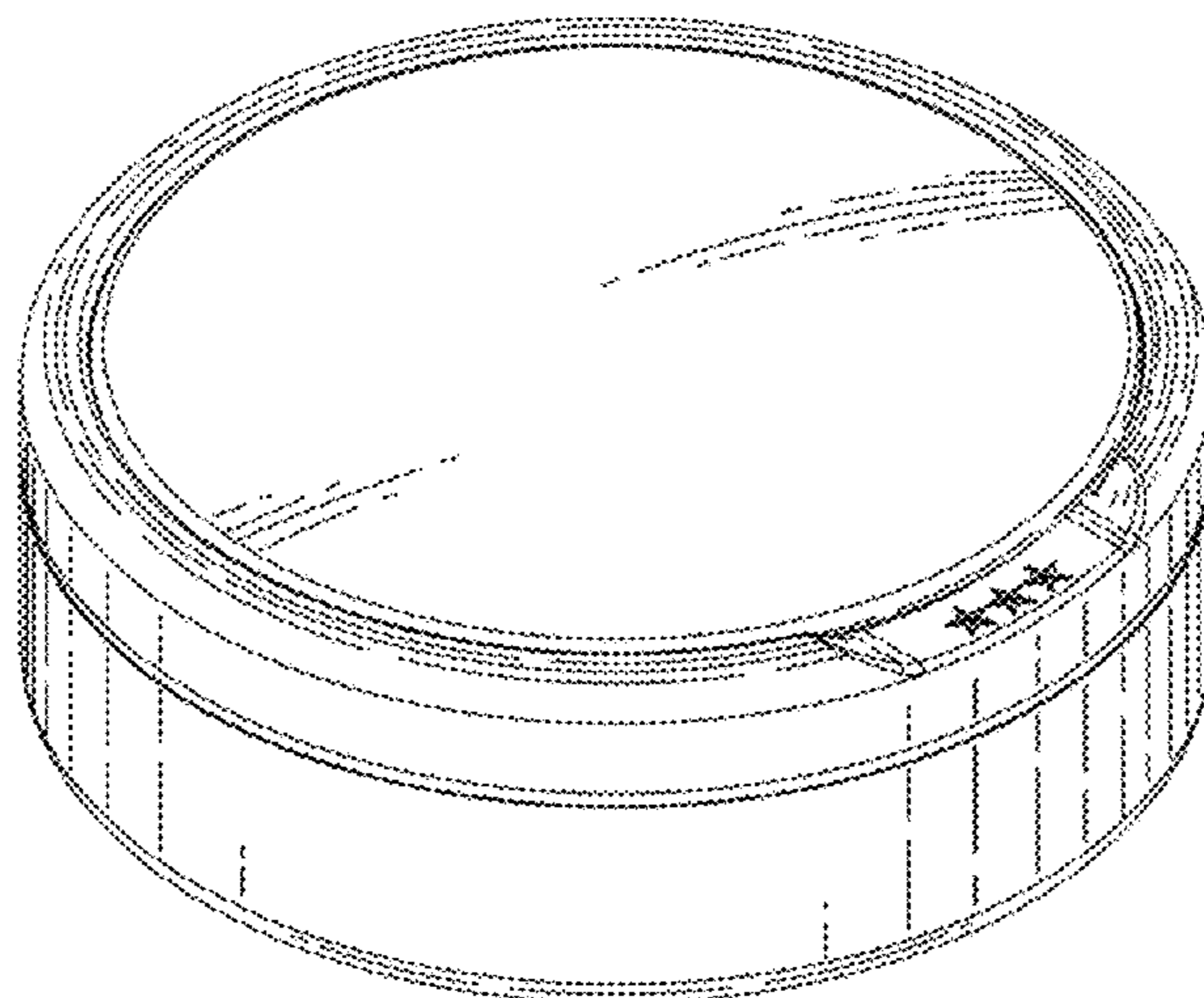
(57) **CLAIM**

The ornamental design for a snuff container, as shown and described.

DESCRIPTION

FIG. 1 is a perspective view of a first embodiment of a snuff container according to the new design;
 FIG. 2 is a bottom perspective view of the snuff container;
 FIG. 3 is a plan view of the snuff container;
 FIG. 4 is a front view of the snuff container;
 FIG. 5 is a side view of the snuff container;
 FIG. 6 is a rear side view of the snuff container;
 FIG. 7 is a bottom view of the snuff container;
 FIG. 8 is an exploded perspective view of the snuff container according to an embodiment;
 FIG. 9 is an exploded perspective view of the snuff container according to an embodiment;
 FIG. 10 is an exploded bottom perspective view of the snuff container according to an embodiment;
 FIG. 11 is an exploded bottom perspective view of the snuff container according to an embodiment;
 FIG. 12 is an exploded side view of the snuff container according to an embodiment;
 FIG. 13 is a sectional view along the line 13 of FIG. 12 of a lid of the container according to an embodiment; and,
 FIG. 14 is a sectional view along the line 13 of FIG. 12 of a lid of the container according to an embodiment.

1 Claim, 8 Drawing Sheets



US D711,249 S

Page 2

(56)

References Cited

U.S. PATENT DOCUMENTS

D651,519 S *	1/2012	Gibson et al.	D9/529
D669,953 S *	10/2012	Gold	D21/796
D677,568 S *	3/2013	Sina	D9/451
D644,119 S *	8/2011	Giles	D9/667

* cited by examiner

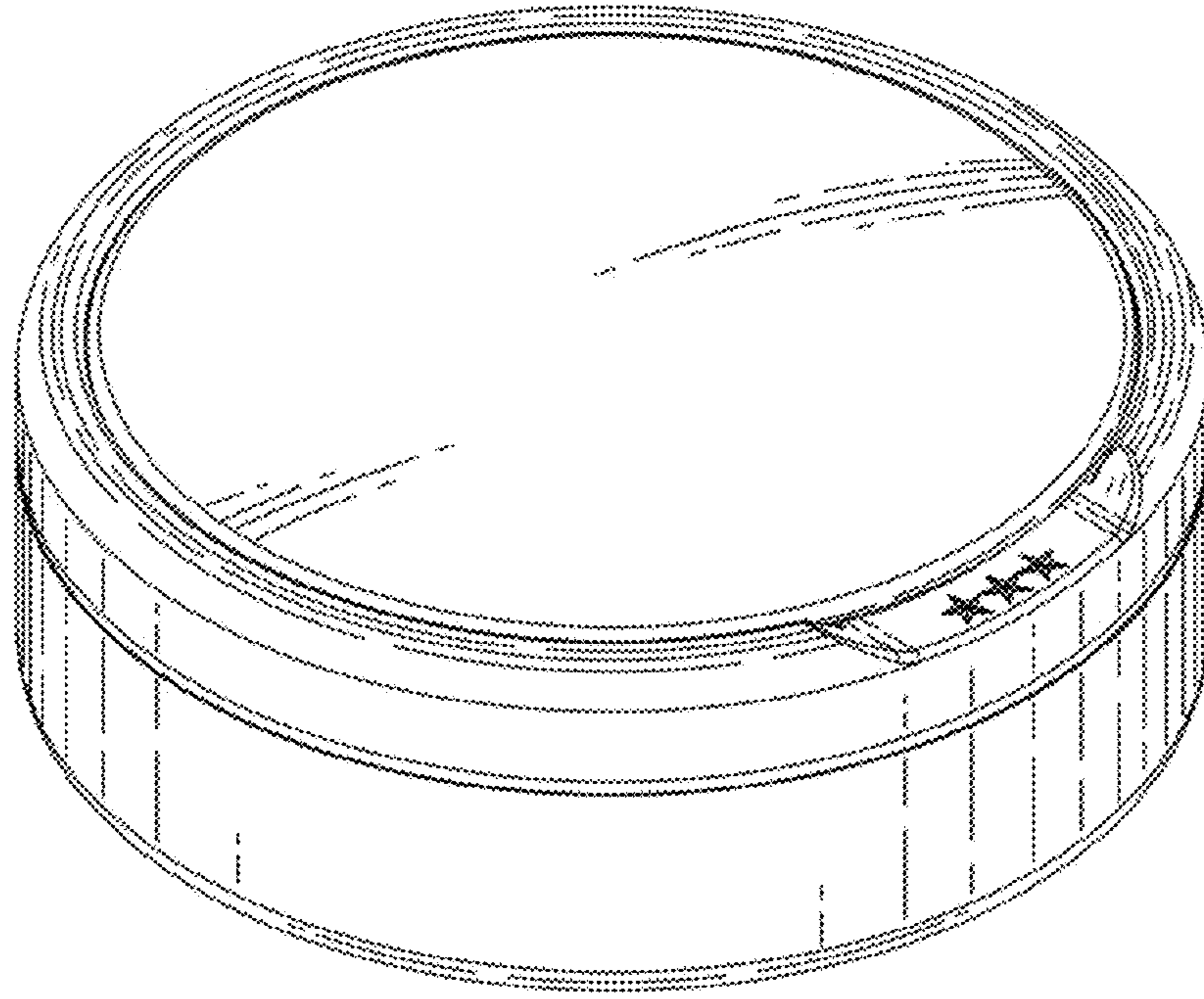


FIG. 1

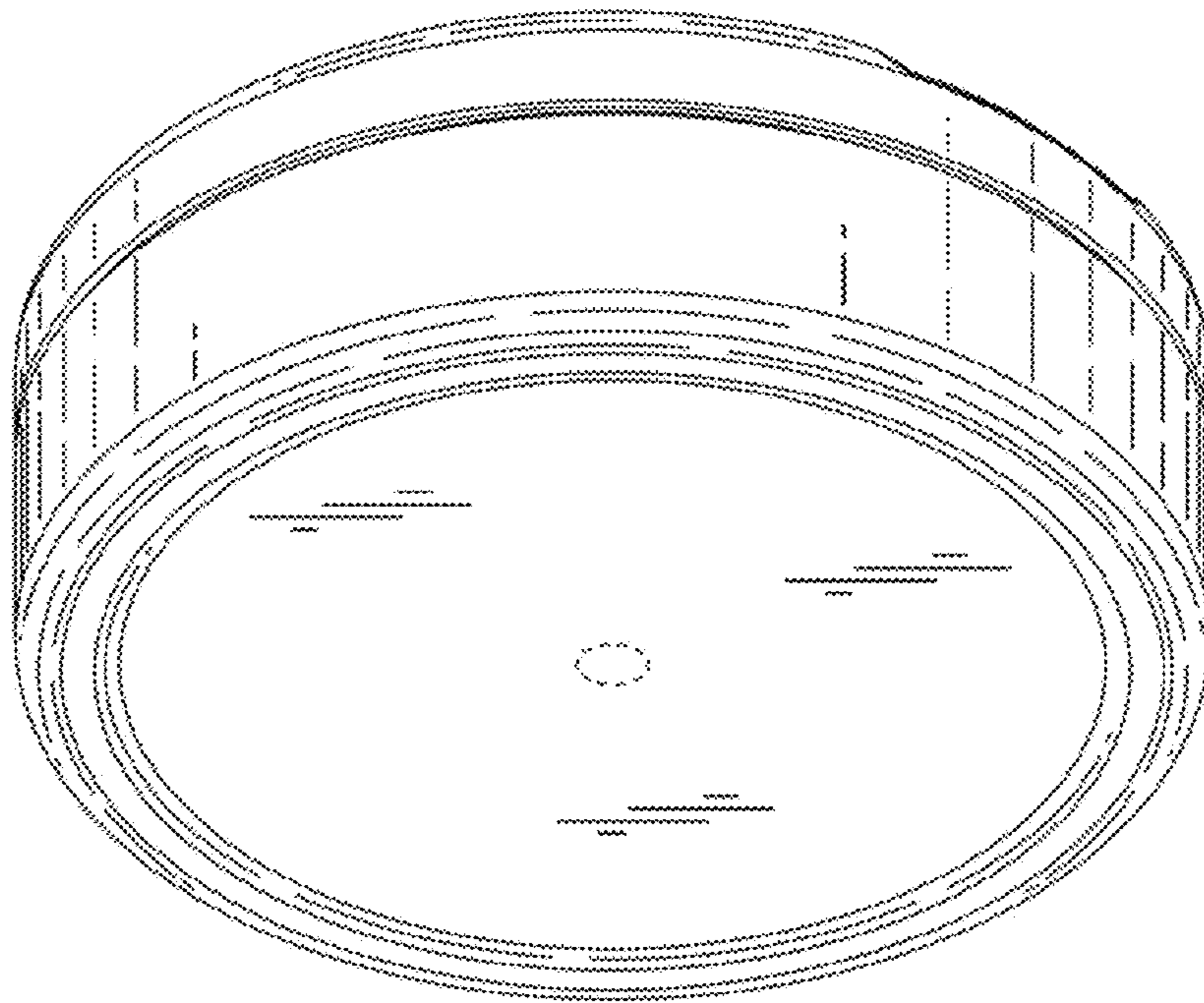


FIG. 2

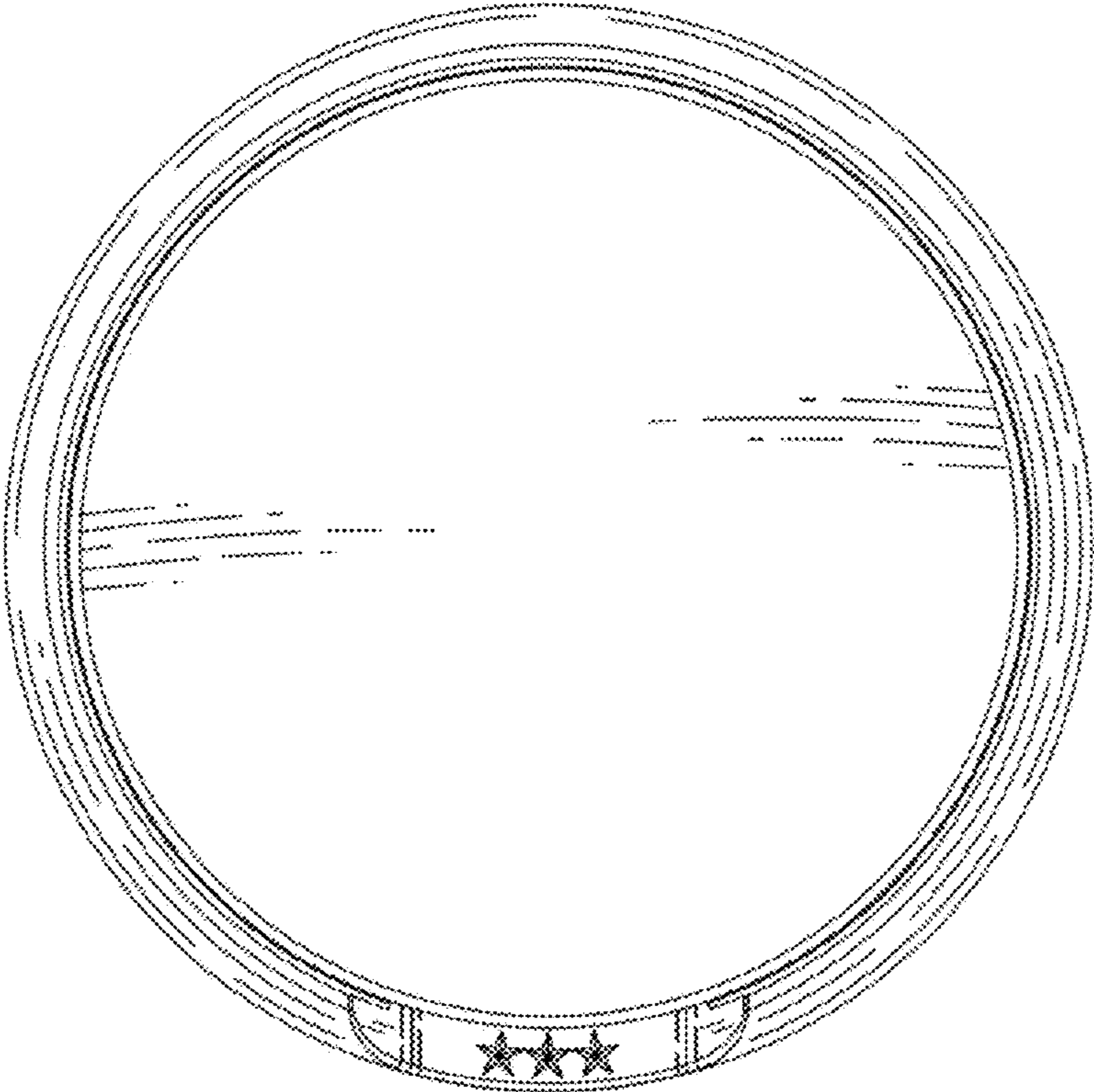


FIG. 3

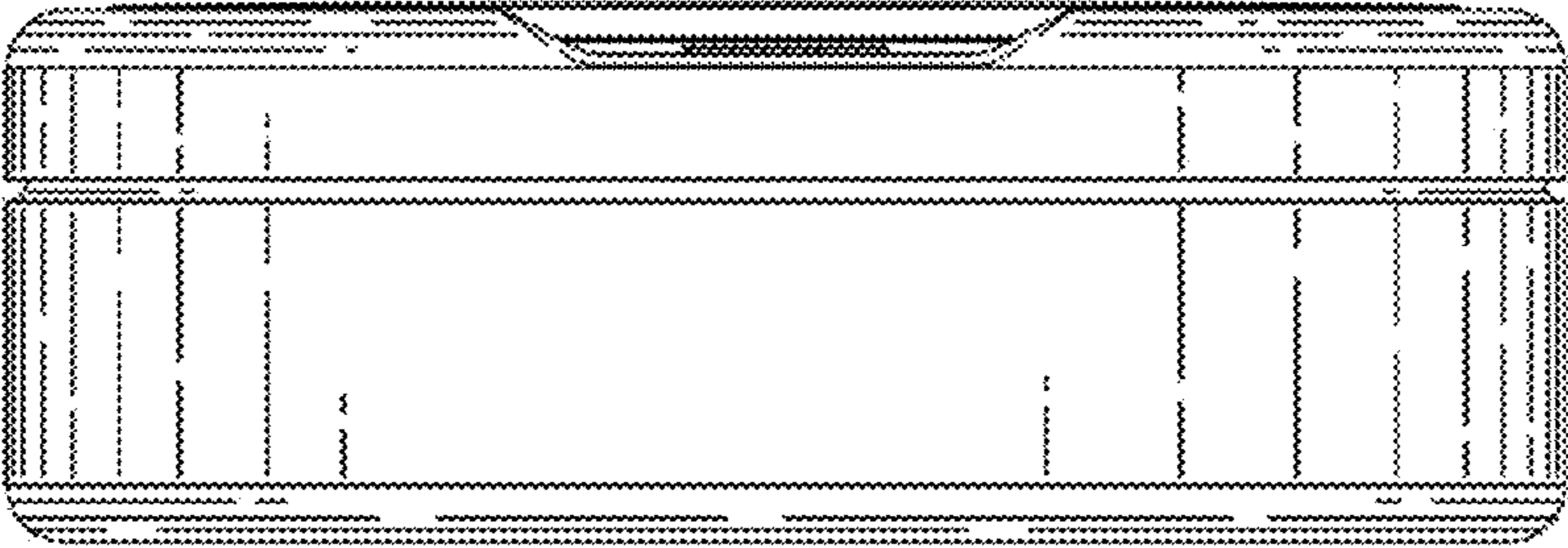


FIG. 4

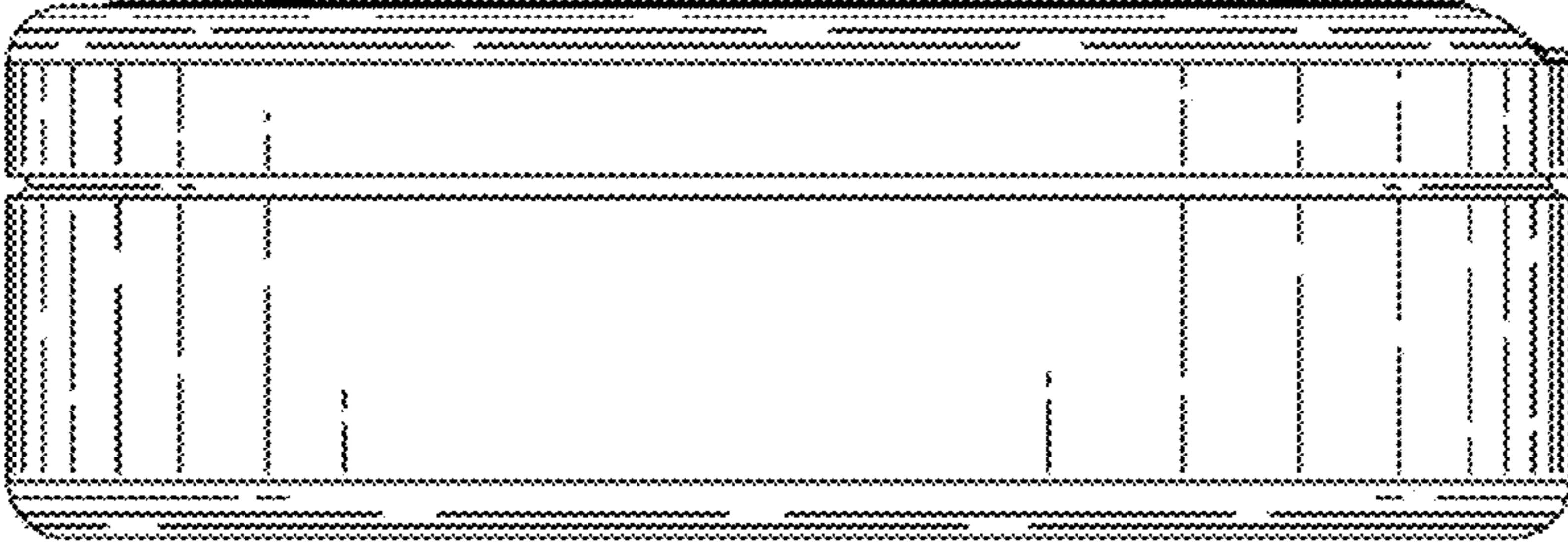


FIG. 5

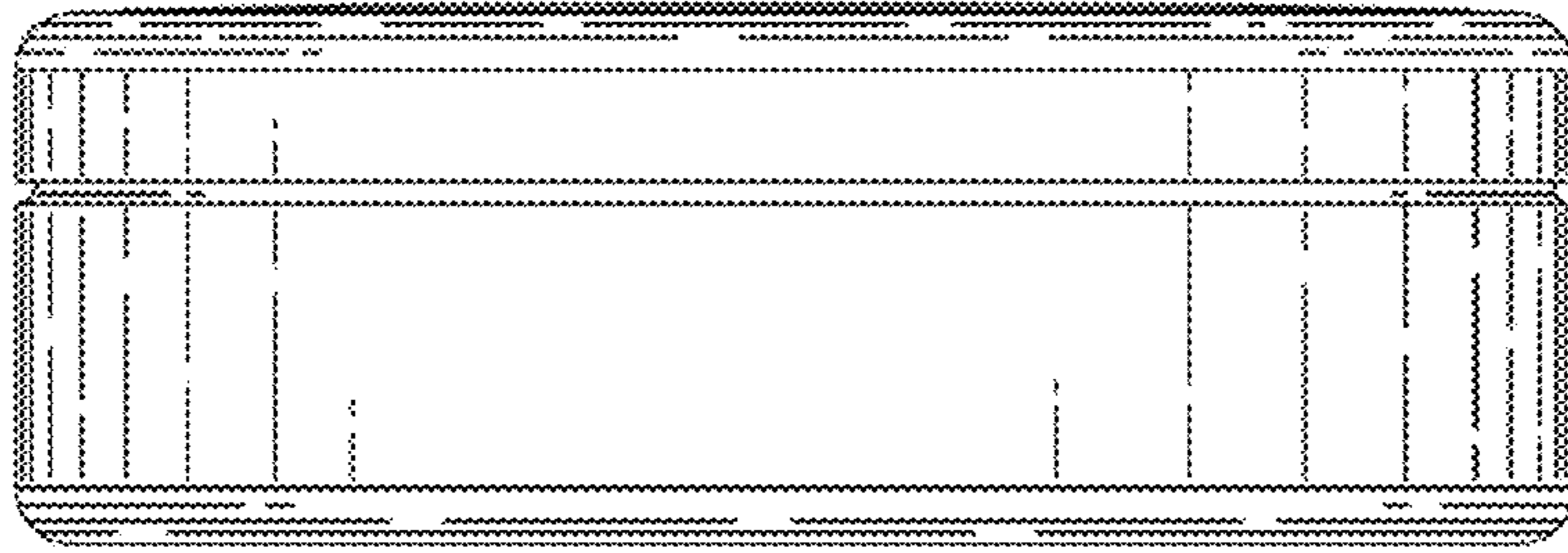


FIG. 6

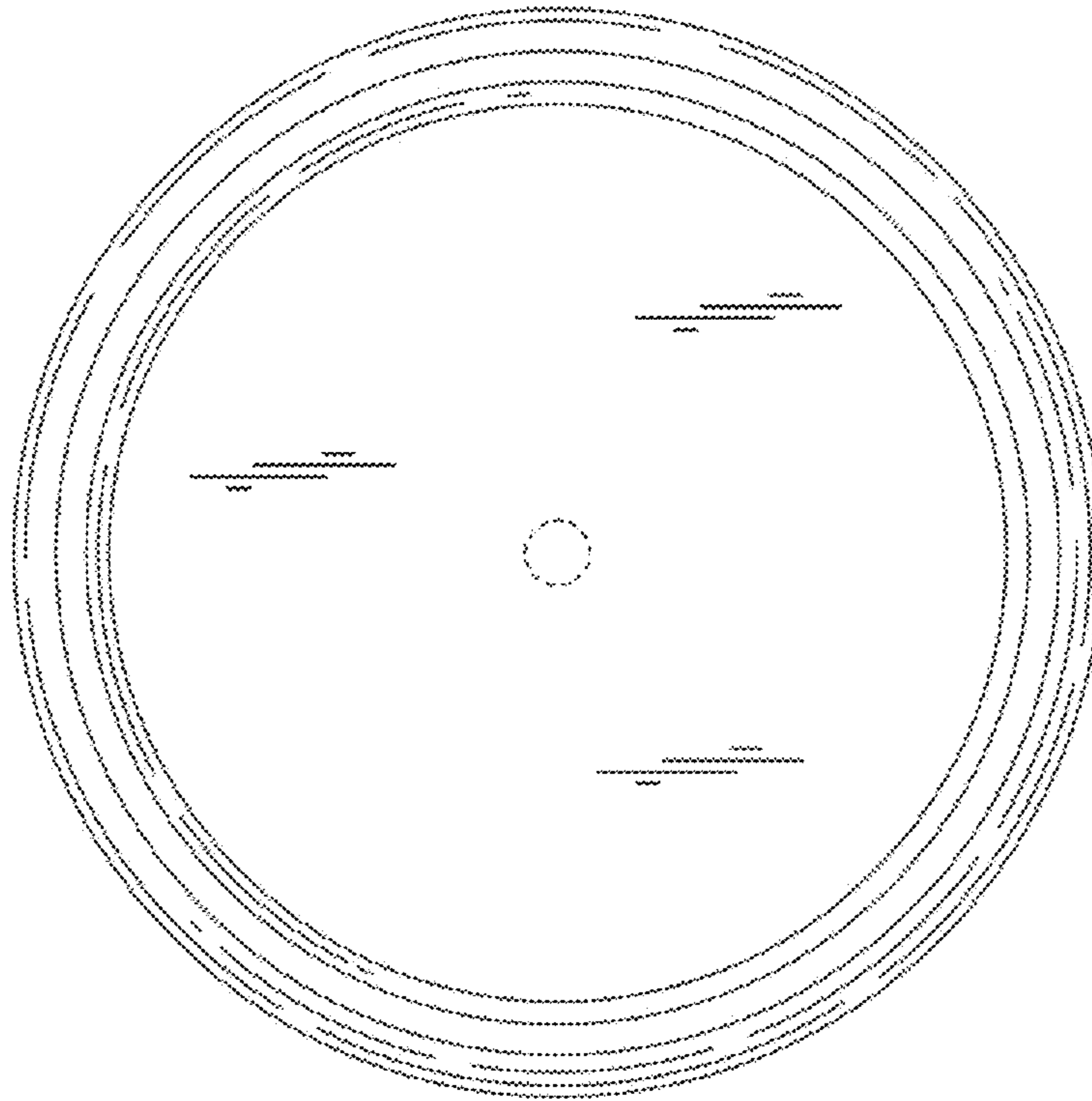


FIG. 7

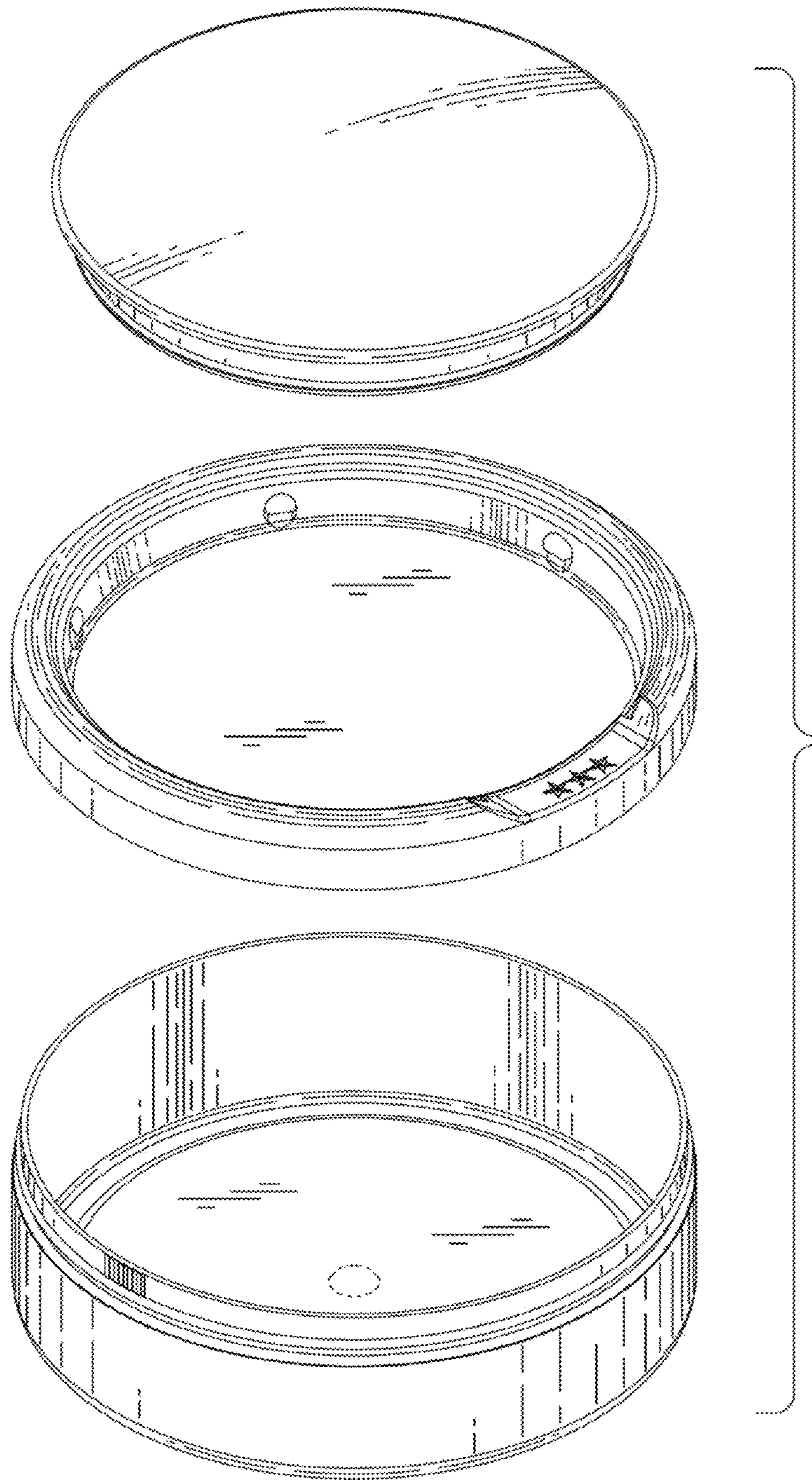


FIG. 8

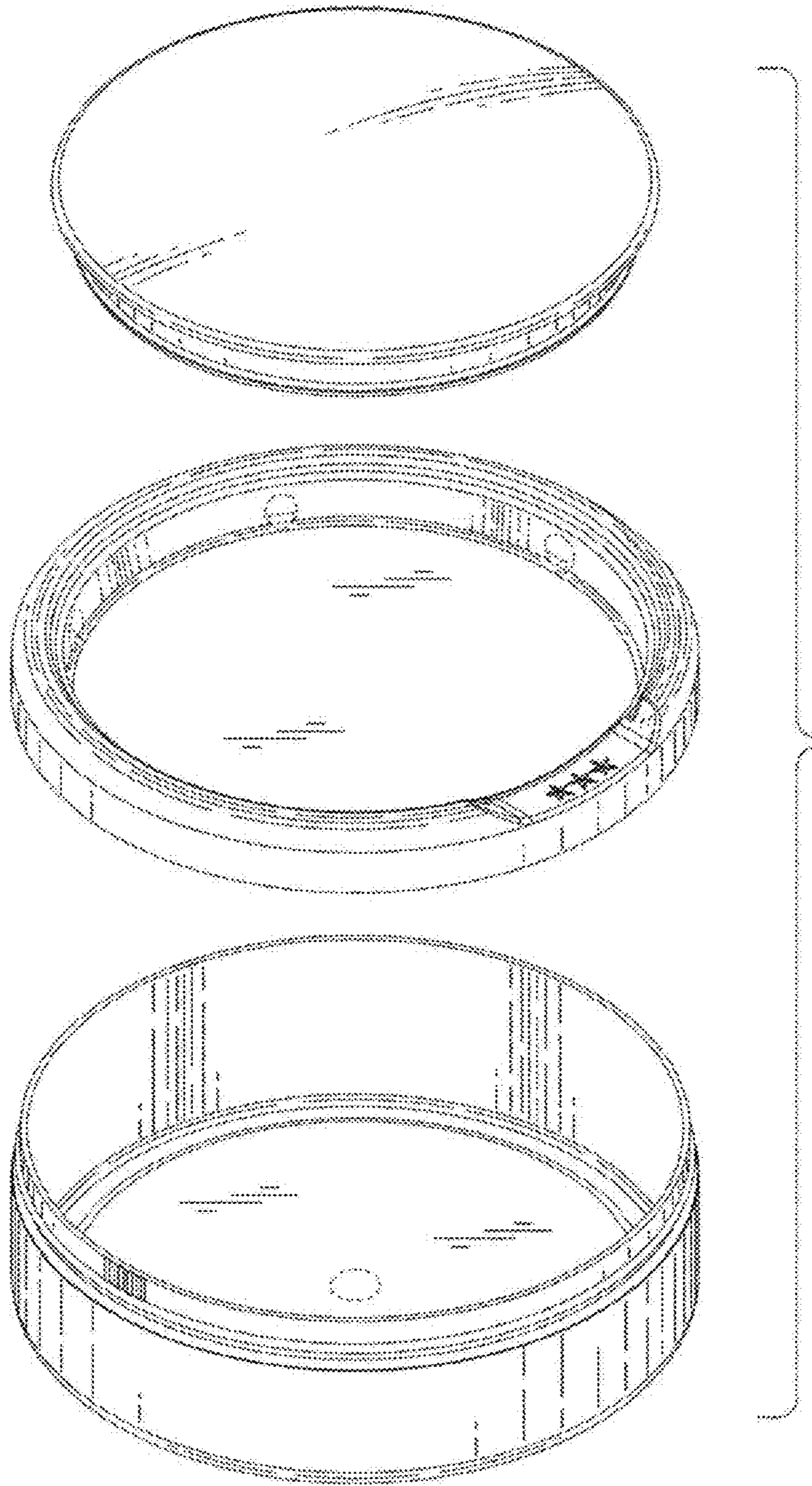


FIG. 9

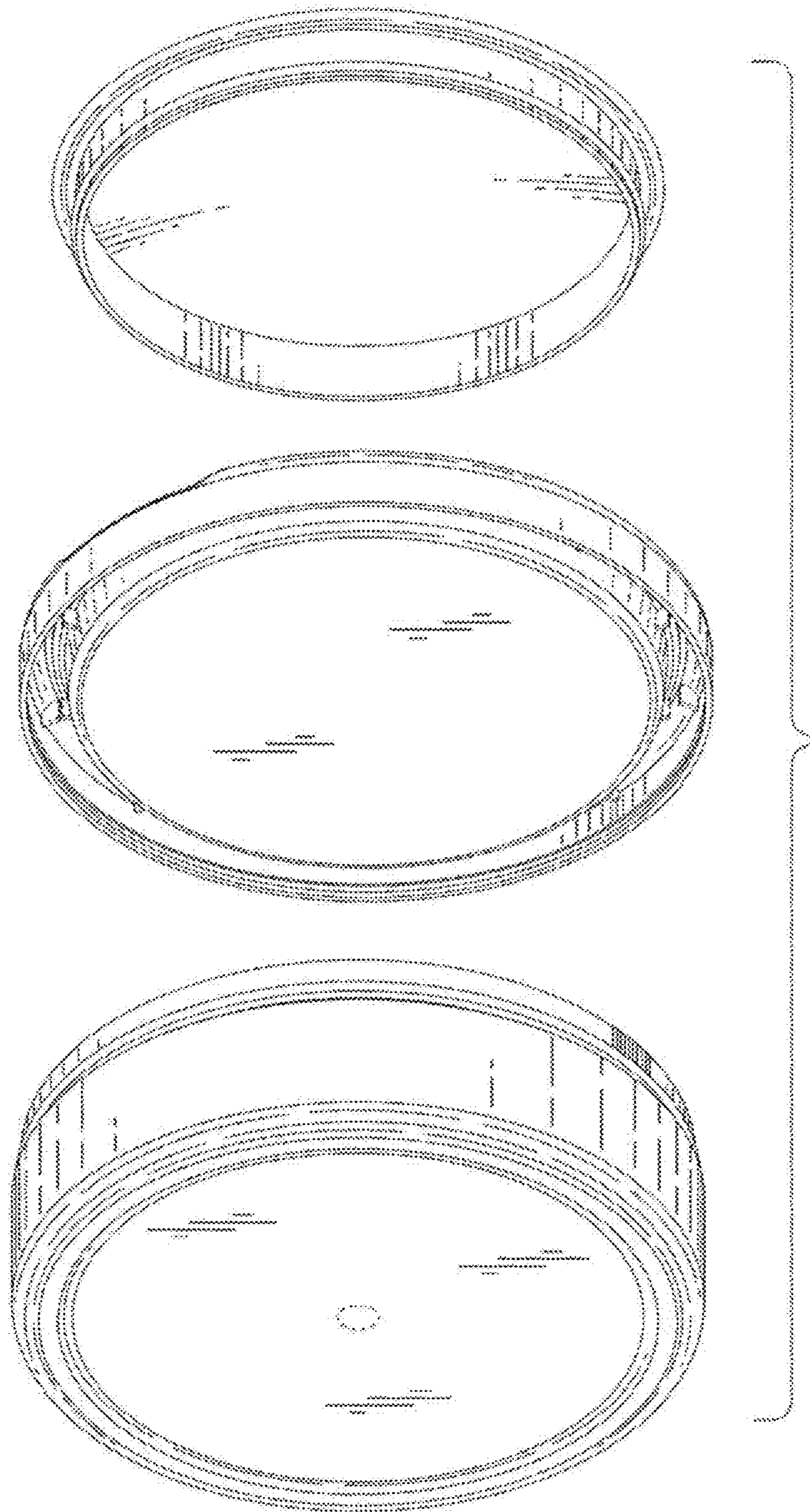


FIG. 10

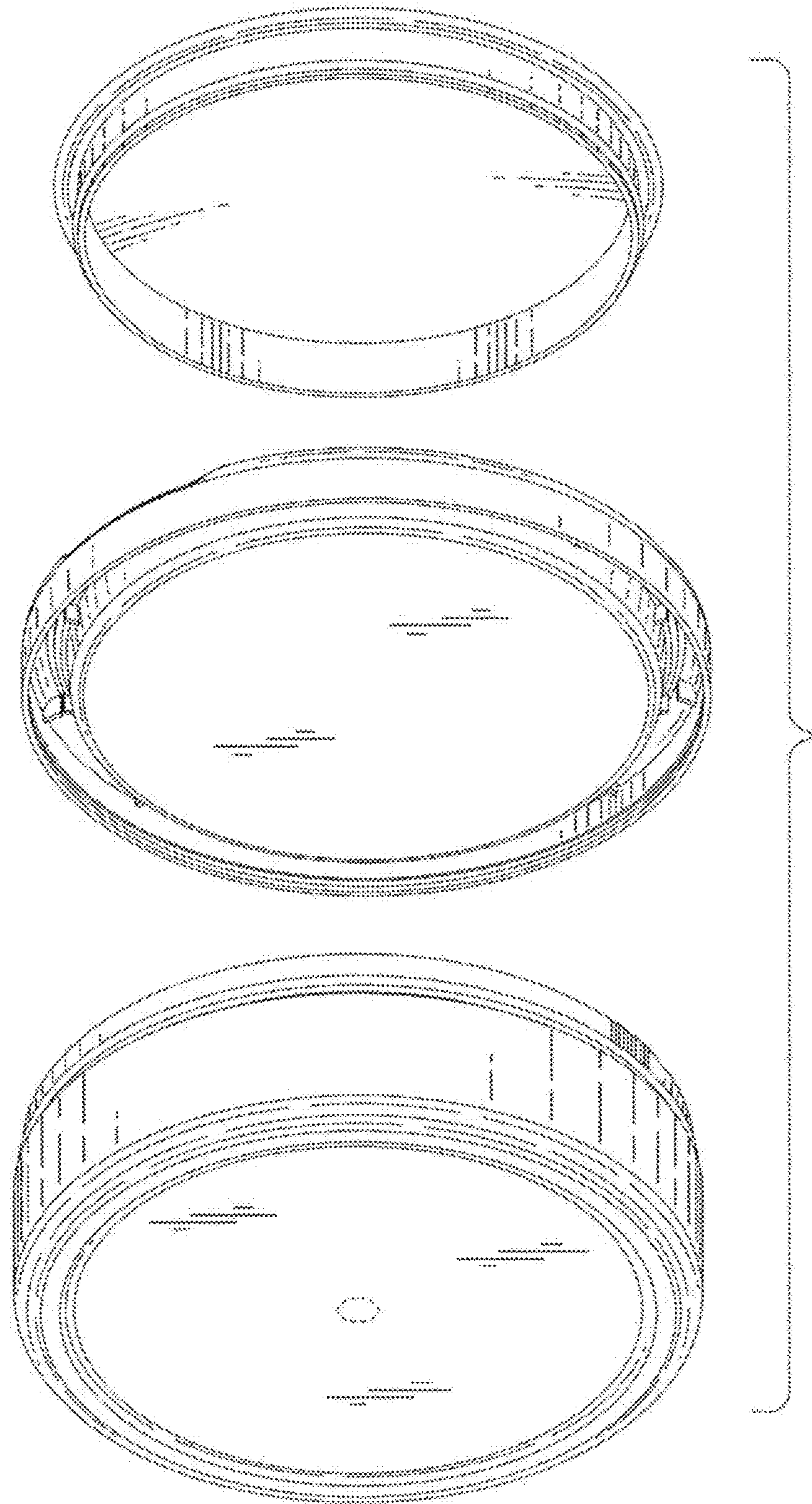


FIG. 11

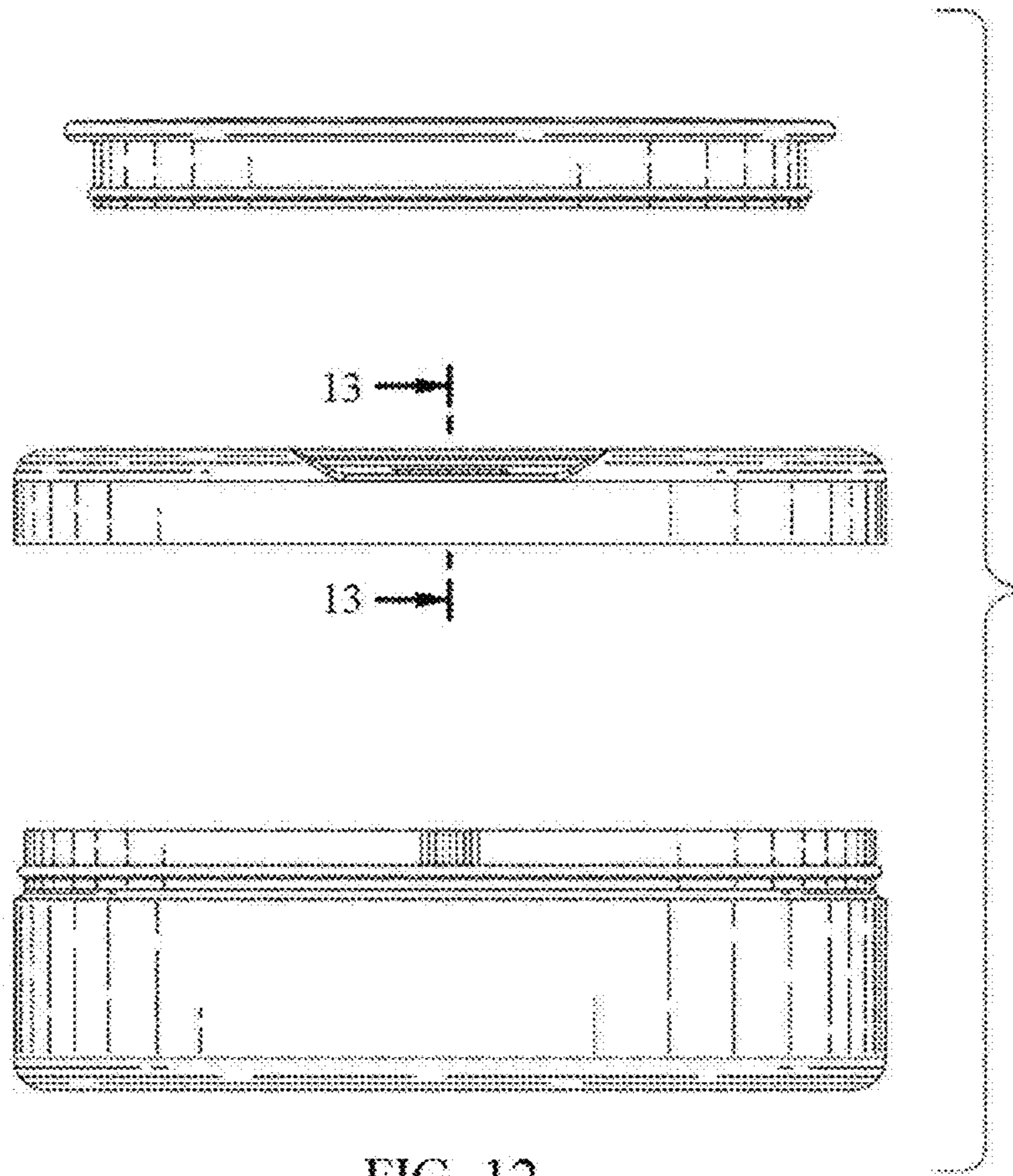


FIG. 12



FIG. 13



FIG. 14