



US00D711239S

(12) **United States Design Patent**
Julier

(10) **Patent No.:** **US D711,239 S**

(45) **Date of Patent:** **** Aug. 19, 2014**

(54) **CONTAINER**

(75) **Inventor:** **Henry Vaillant Julier**, Brooklyn, NY (US)

(73) **Assignee:** **McNeil-PPC, Inc.**, Skillman, NJ (US)

(**) **Term:** **14 Years**

(21) **Appl. No.:** **29/418,467**

(22) **Filed:** **Apr. 17, 2012**

(51) **LOC (10) Cl.** **09-01**

(52) **U.S. Cl.**
USPC **D9/558; D9/549**

(58) **Field of Classification Search**
USPC D9/558, 500–504, 516–517, 529, 537,
D9/539, 542–543, 545, 549, 574, 434–435,
D9/454, 499; 215/379, 382–383; 220/200,
220/660, 669, 672

See application file for complete search history.

(56) **References Cited**

U.S. PATENT DOCUMENTS

2,711,766	A *	6/1955	Archer et al.	D9/504
D278,602	S	4/1985	Rosenstein		
D291,411	S	8/1987	Crawford		
4,693,399	A	9/1987	Hickman et al.		
D305,206	S	12/1989	Hickman et al.		
D340,187	S	10/1993	Forsyth		
D355,605	S	2/1995	Kudo et al.		
D371,970	S	7/1996	Desgrippes		
D373,084	S	8/1996	Choi		
D386,972	S	12/1997	Stoecker		
D402,894	S	12/1998	Elia		
D405,699	S	2/1999	Chae		
D431,458	S	10/2000	Bried et al.		
D433,944	S	11/2000	Bernard		
D446,728	S *	8/2001	Bakic	D9/558
D474,978	S *	5/2003	Varlet	D9/549
D483,671	S *	12/2003	Pinnavaia	D9/500
6,691,901	B2	2/2004	Parve et al.		

D491,288	S	6/2004	Young		
D513,452	S	1/2006	Parve		
D520,370	S	5/2006	Priestman		
D537,341	S	2/2007	Liebe et al.		
D547,661	S	7/2007	Blasko et al.		
D550,095	S	9/2007	De Oliveira Neto		
D574,710	S	8/2008	Gangrade		
D576,494	S	9/2008	Bakic		
D582,277	S *	12/2008	Canamasas Puigbo	D9/500
D595,136	S	6/2009	Canamasas Puigbo		
D603,266	S *	11/2009	Dibnah et al.	D9/529
D603,702	S	11/2009	Daggett		
D605,523	S *	12/2009	Dibnah et al.	D9/549
D624,431	S	9/2010	Gentil		
D630,097	S *	1/2011	Brochado et al.	D9/503
D640,546	S	6/2011	Berggren		
D641,245	S	7/2011	Rodriguez et al.		
D645,751	S	9/2011	Baek		
D649,063	S	11/2011	Bakalis		
D652,309	S	1/2012	Hartford		
D661,989	S *	6/2012	Praster	D9/529

OTHER PUBLICATIONS

Oval Shaped Jar comes with 58400 finish in Pet., O.Berk Co., ThomasNet News—Nov. 23, 2011.

* cited by examiner

Primary Examiner — Wan Laymon

(74) *Attorney, Agent, or Firm* — Laura A. Donnelly

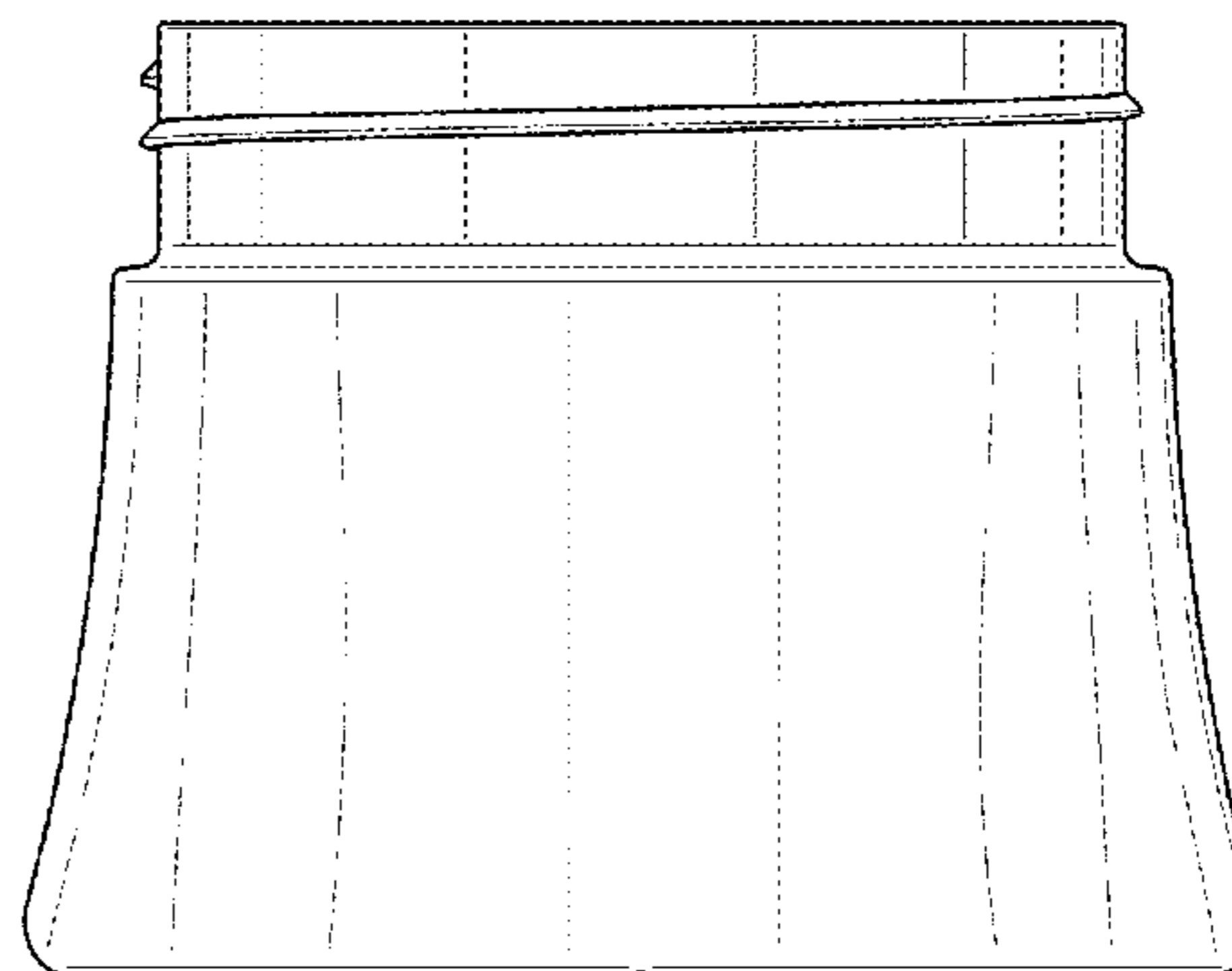
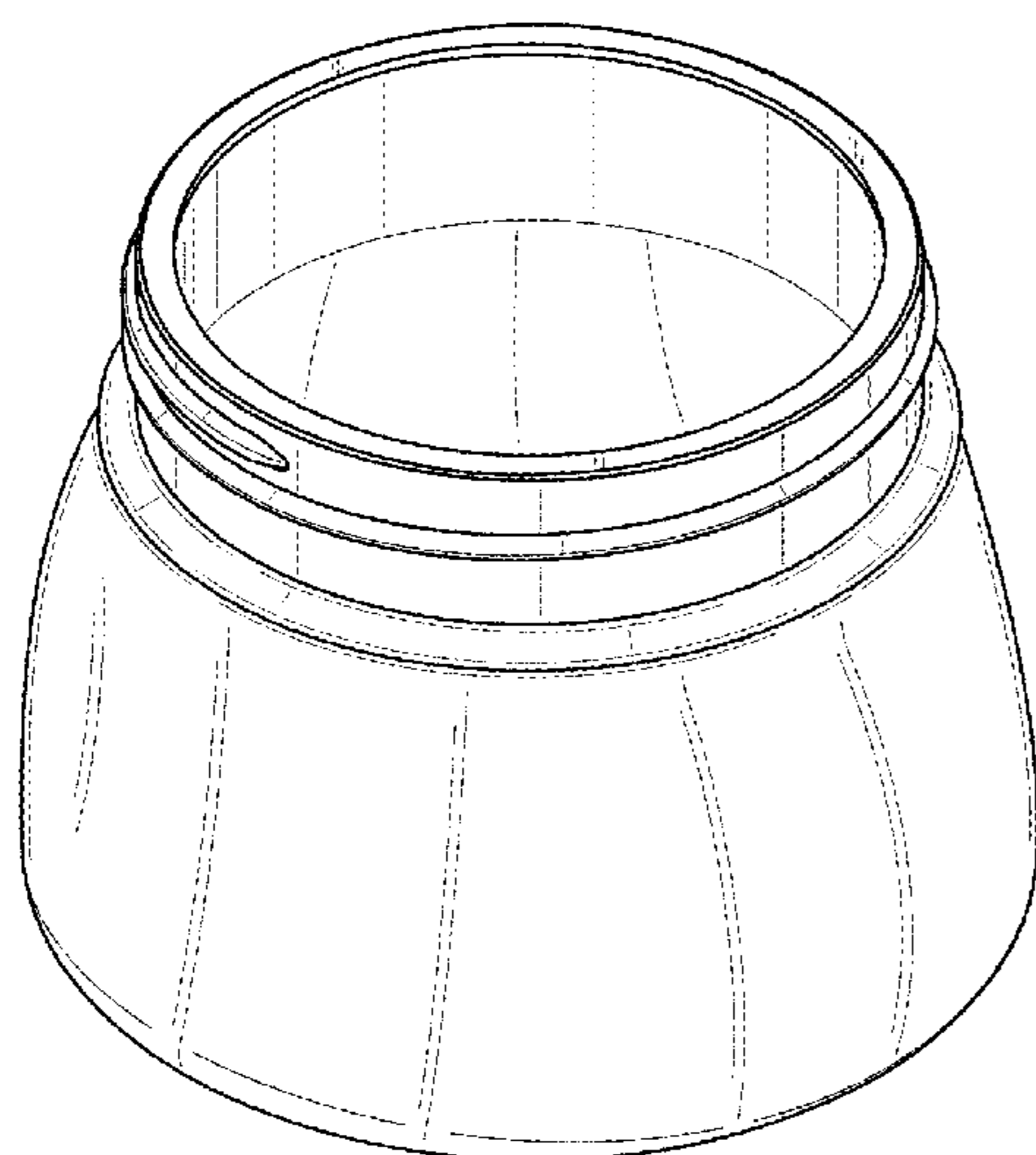
(57) **CLAIM**

We claim the ornamental design for a container, as shown and described.

DESCRIPTION

FIG. 1 is a front, right, top perspective view of a container showing my new design;
FIG. 2 is front elevational view thereof;
FIG. 3 is a back elevational view thereof;
FIG. 4 is a right side elevational view thereof;
FIG. 5 is a left side elevational view thereof;
FIG. 6 is a top plan view thereof; and,
FIG. 7 is a bottom plan view thereof.

1 Claim, 4 Drawing Sheets



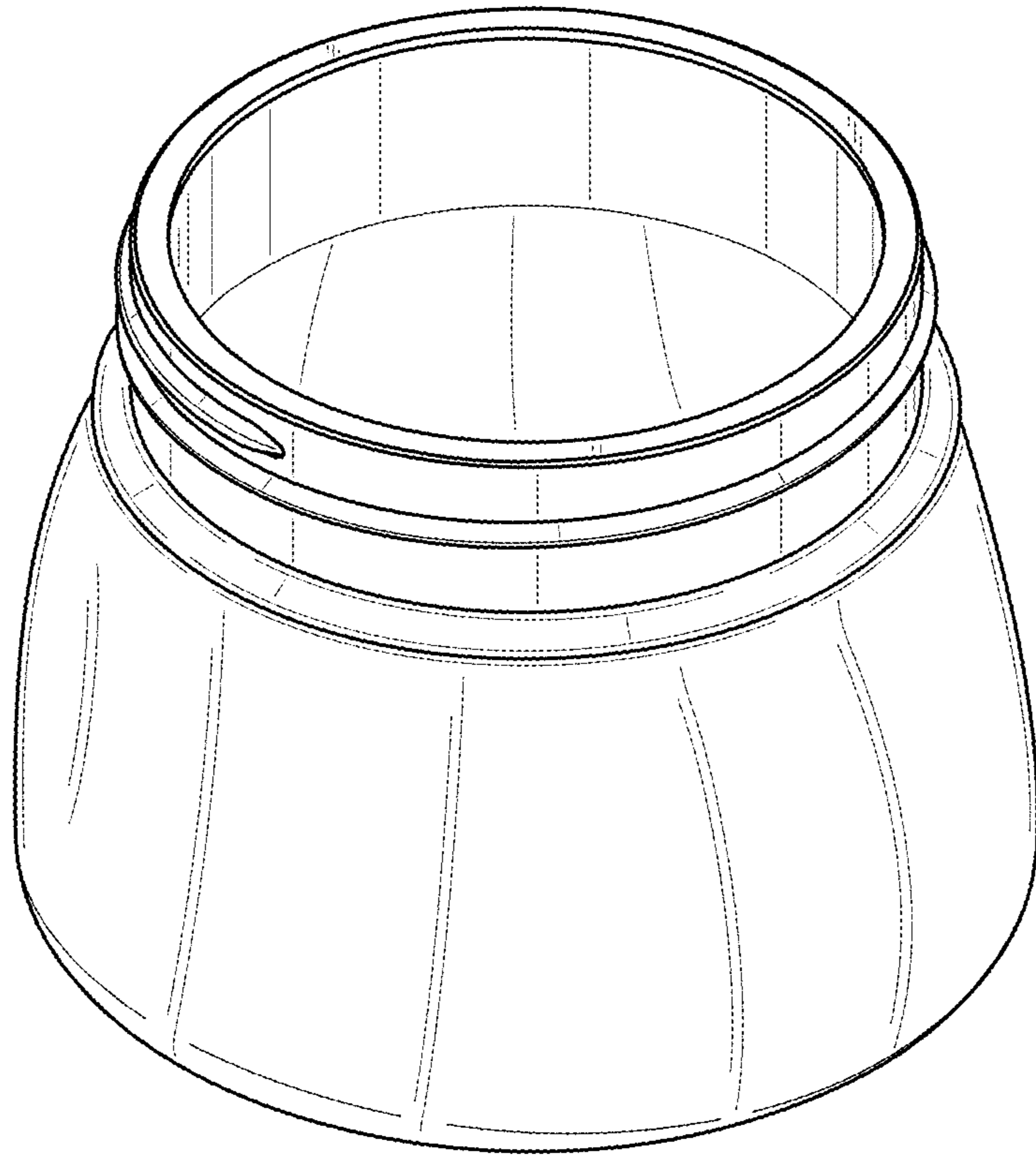


Fig. 1

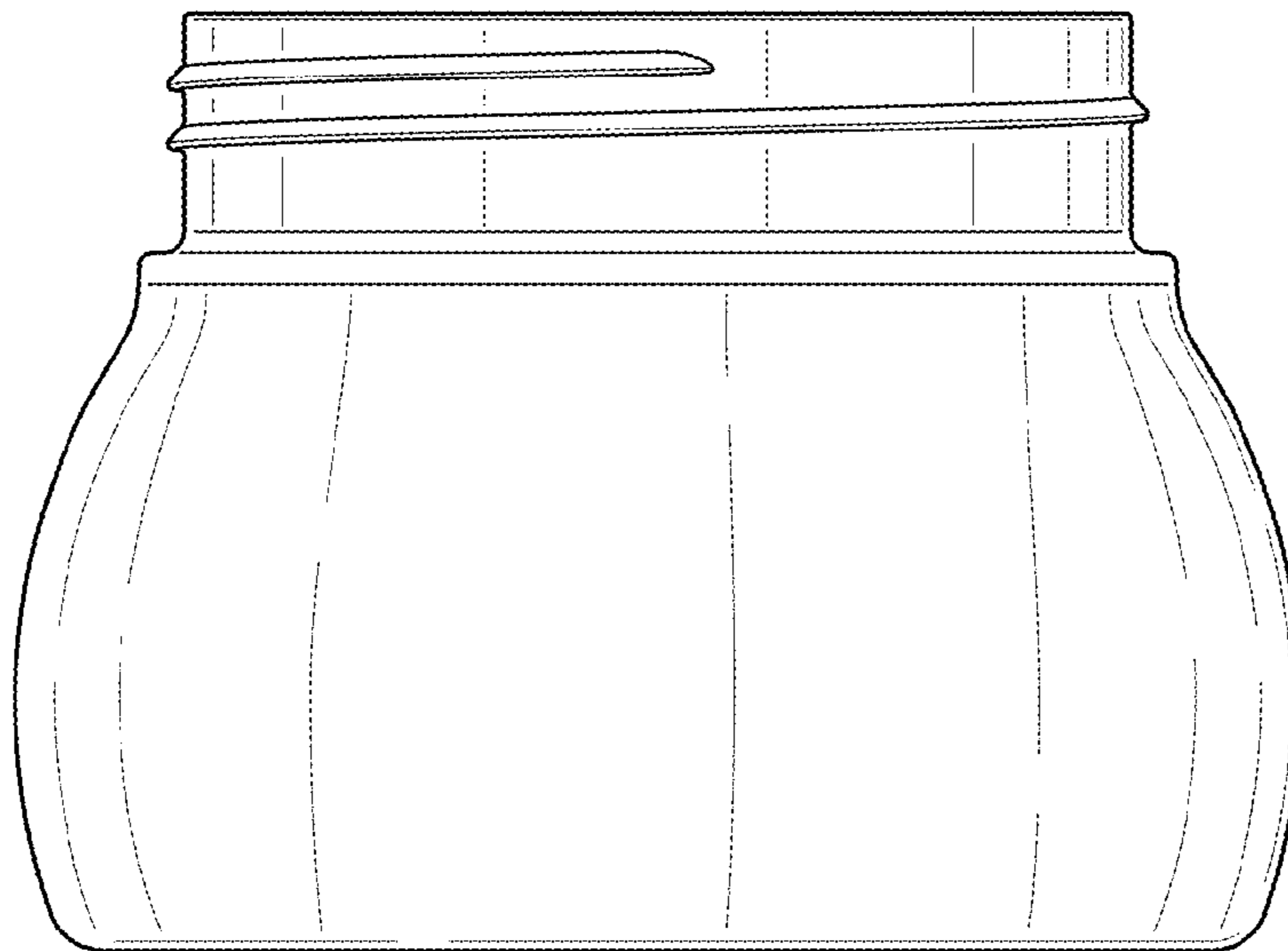


Fig. 2

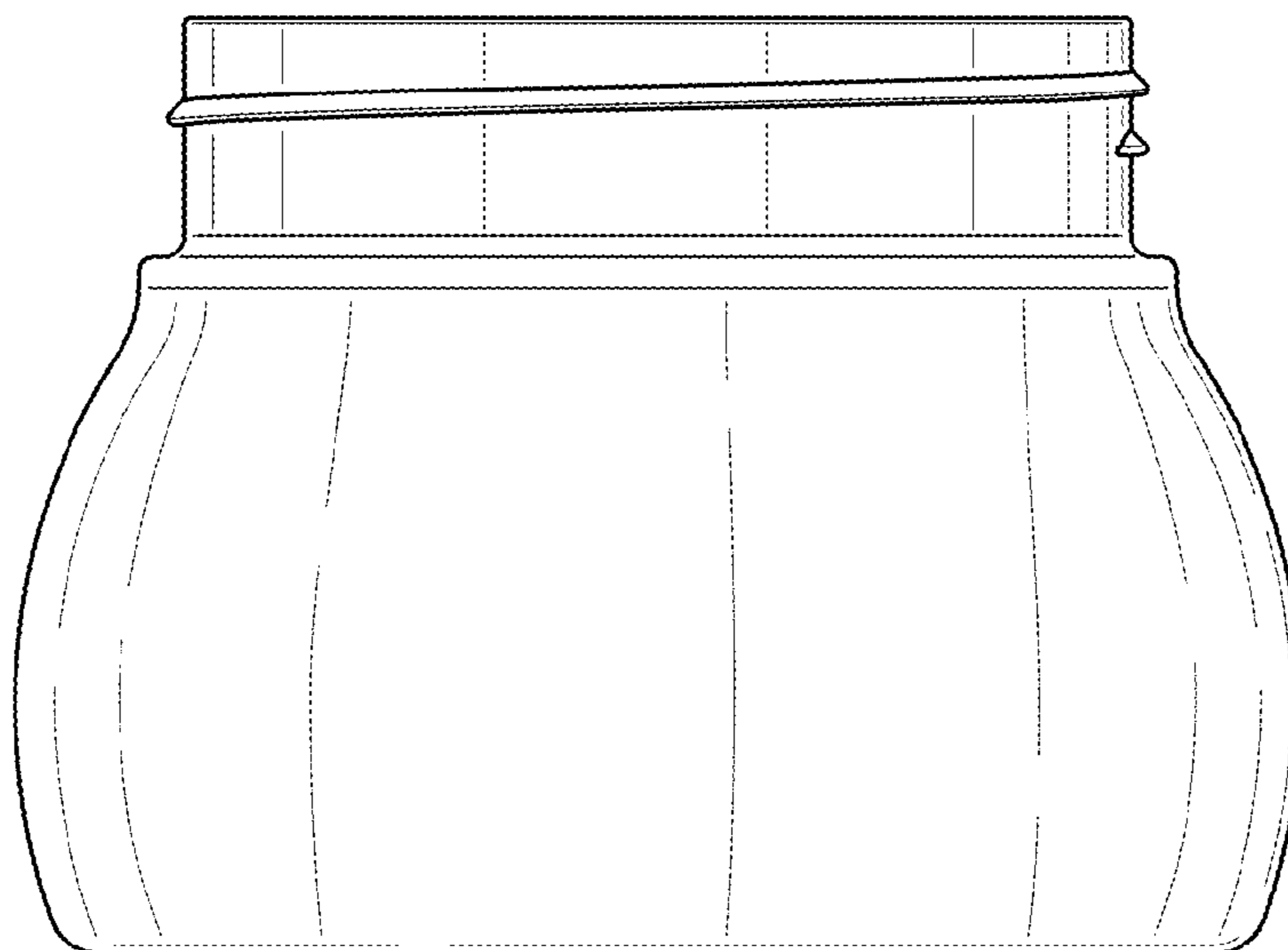


Fig. 3

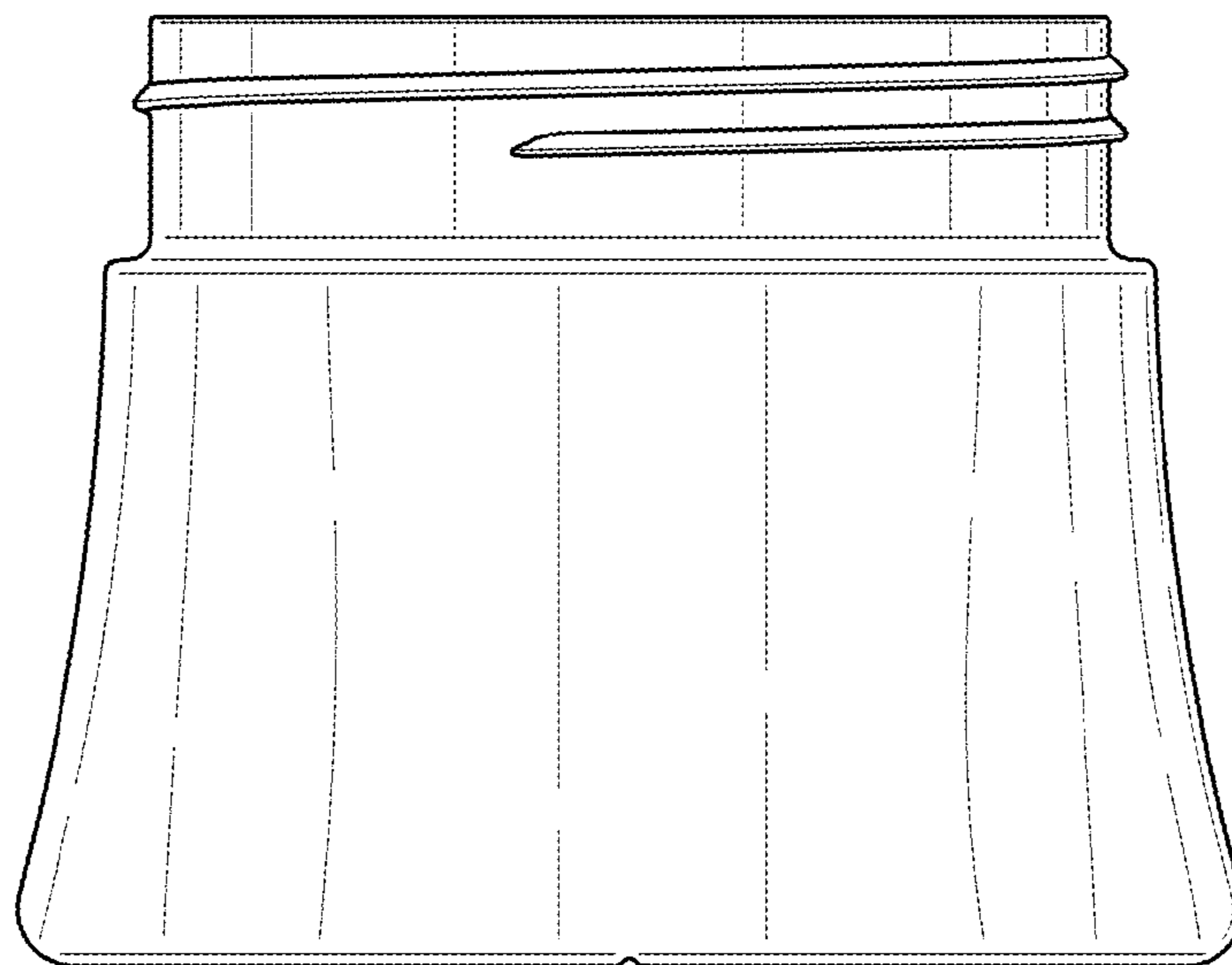


Fig. 4

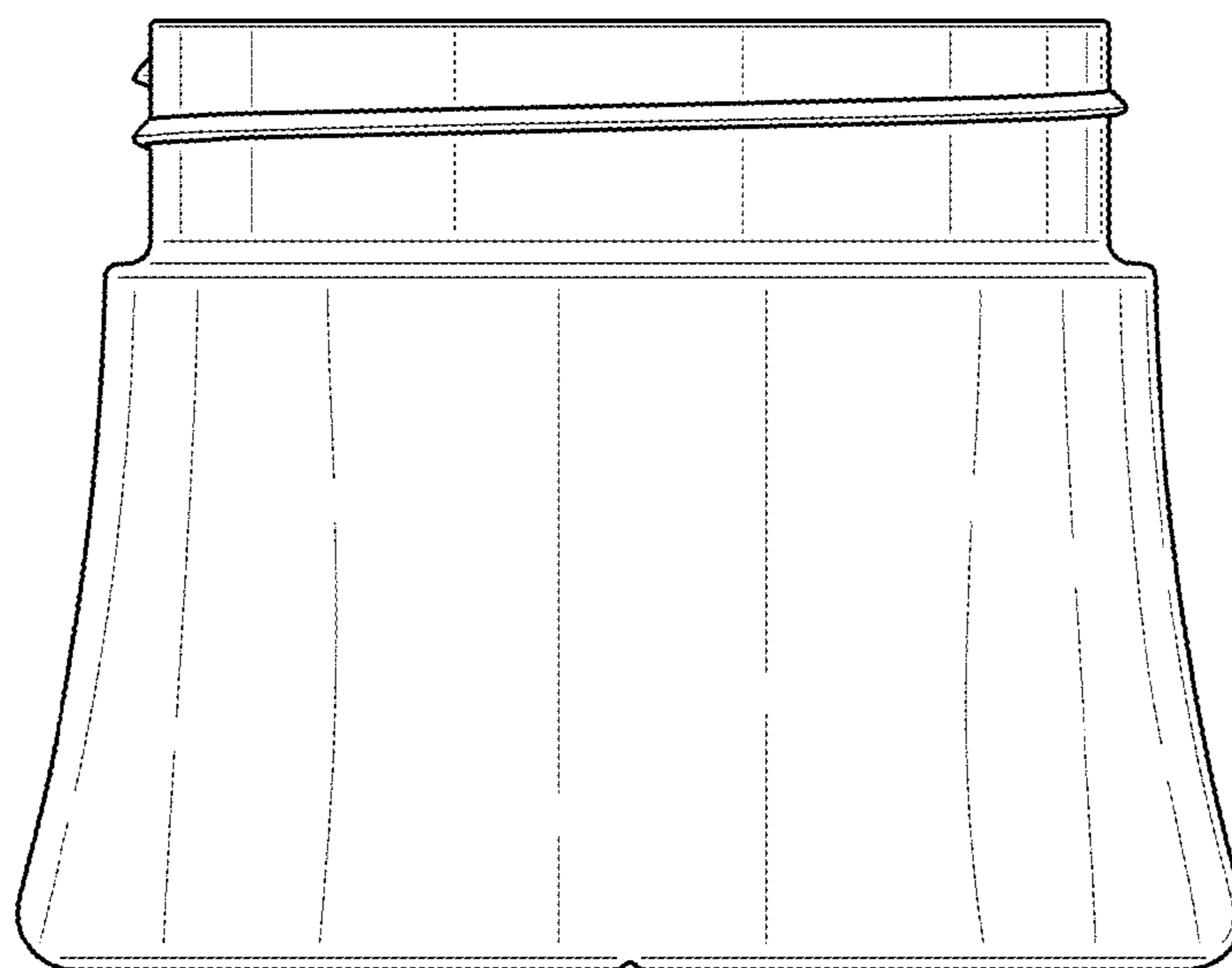


Fig. 5

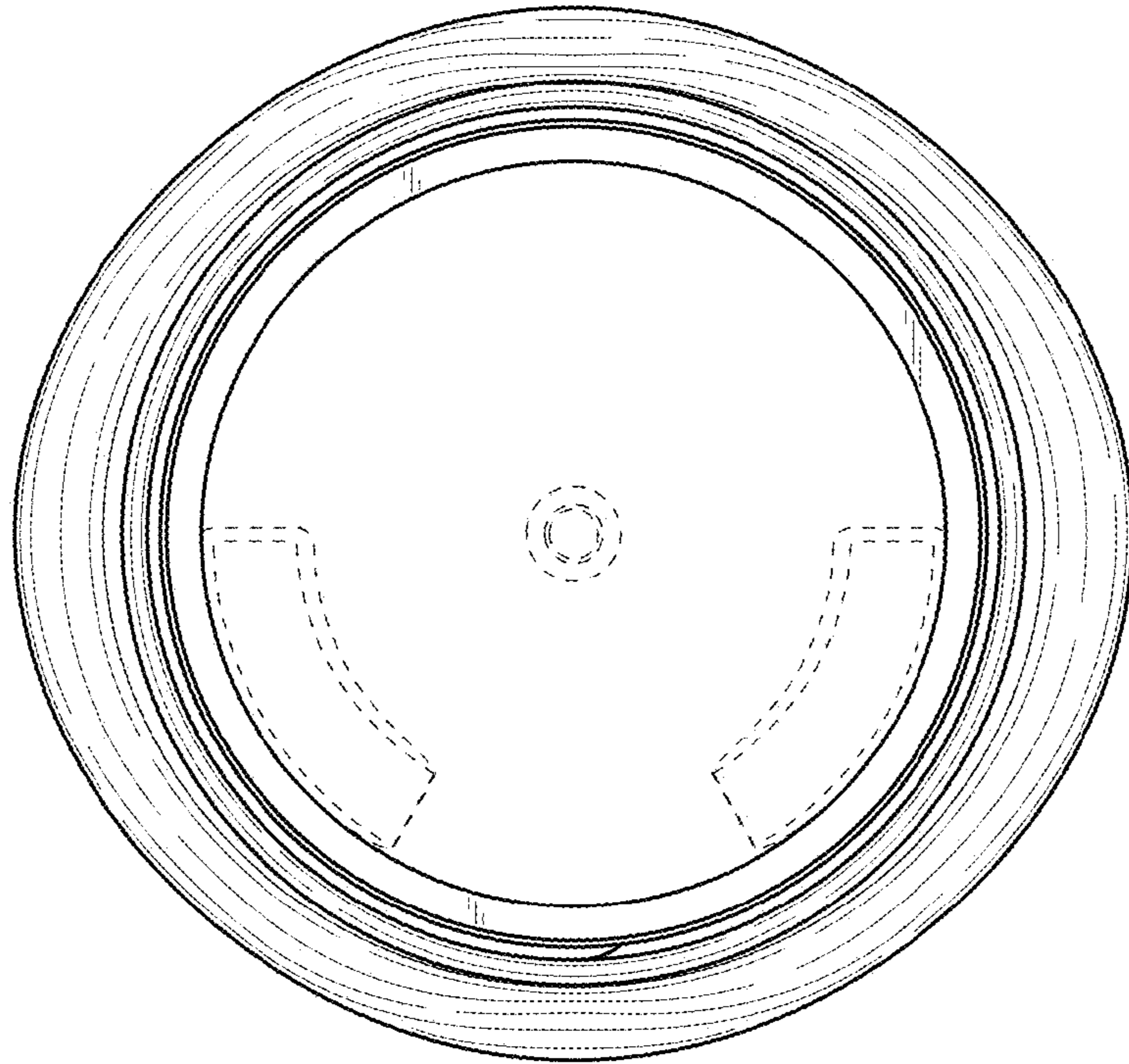


Fig. 6

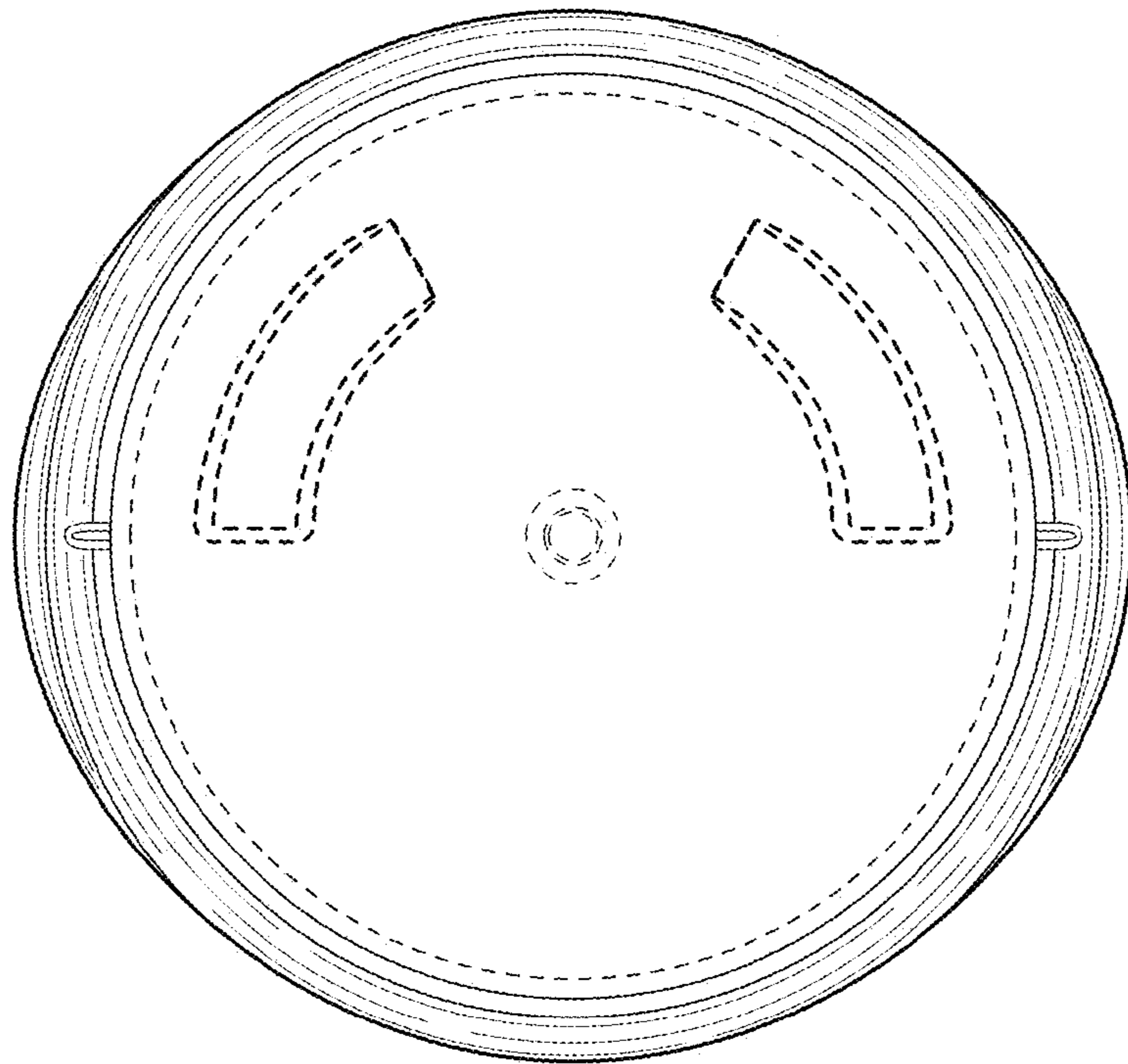


Fig. 7