



US00D711238S

(12) **United States Design Patent**  
**Schlies et al.**

(10) **Patent No.:** **US D711,238 S**

(45) **Date of Patent:** **\*\* Aug. 19, 2014**

(54) **CONTAINER**

(75) Inventors: **Anthony J. Schlies**, York, PA (US);  
**Justin A. Howell**, New Cumberland, PA (US)

(73) Assignee: **Graham Packaging Company, L.P.**,  
York, PA (US)

(\*\*) Term: **14 Years**

(21) Appl. No.: **29/408,038**

(22) Filed: **Dec. 6, 2011**

(51) **LOC (10) Cl.** ..... **09-01**

(52) **U.S. Cl.**  
USPC ..... **D9/538**; D9/552; D9/658

(58) **Field of Classification Search**  
USPC ..... D9/658, 667, 516, 537-541, 549, 552,  
D9/556, 558, 565, 574-575; 215/381-385  
See application file for complete search history.

(56) **References Cited**

**U.S. PATENT DOCUMENTS**

D56,029 S *	8/1920	Quigg	.....	D9/537
D100,342 S *	7/1936	Steuernagle	.....	D9/552
D185,296 S *	5/1959	Mas	.....	D9/539
D286,617 S *	11/1986	Goodwin et al.	.....	D9/538
5,704,504 A *	1/1998	Bueno	.....	215/381
D416,198 S *	11/1999	Lindsay et al.	.....	D9/520
D442,474 S *	5/2001	Piccioli et al.	.....	D9/539 X
D489,268 S *	5/2004	Wang	.....	D9/556 X
D548,095 S *	8/2007	McGuinness	.....	D9/565 X
D599,672 S *	9/2009	Carlson et al.	.....	D9/542
D600,559 S *	9/2009	Lepoitevin	.....	D9/538
7,604,140 B2 *	10/2009	Pritchett et al.	.....	215/381
D604,169 S *	11/2009	Melossi	.....	D9/538

D623,070 S *	9/2010	Jamison et al.	.....	D9/658
8,113,368 B2 *	2/2012	Oguchi et al.	.....	215/382 X
D656,833 S *	4/2012	Perez	.....	D9/538
D662,824 S *	7/2012	Perez	.....	D9/516
D675,535 S *	2/2013	Nomura et al.	.....	D9/552
D677,574 S *	3/2013	Barnard et al.	.....	D9/538
D677,575 S *	3/2013	Barnard et al.	.....	D9/538
D689,368 S *	9/2013	Kim	.....	D9/658 X
D689,773 S *	9/2013	Nomura et al.	.....	D9/538
8,544,667 B2 *	10/2013	Ozawa et al.	.....	215/382 X
D696,949 S *	1/2014	Reeber et al.	.....	D9/516
2007/0068894 A1 *	3/2007	Iwashita et al.	.....	215/382
2010/0032405 A1 *	2/2010	Ozawa et al.	.....	215/383

\* cited by examiner

*Primary Examiner* — Carol P Rademaker

(74) *Attorney, Agent, or Firm* — Baker Botts L.L.P.

(57) **CLAIM**

The ornamental design for a container, as shown and described.

**DESCRIPTION**

FIG. 1 is a perspective view of a container showing our new design;

FIG. 2 is a second perspective view thereof;

FIG. 3 is a front elevational view thereof;

FIG. 4 is a rear elevational view thereof;

FIG. 5 is a right side elevational view thereof;

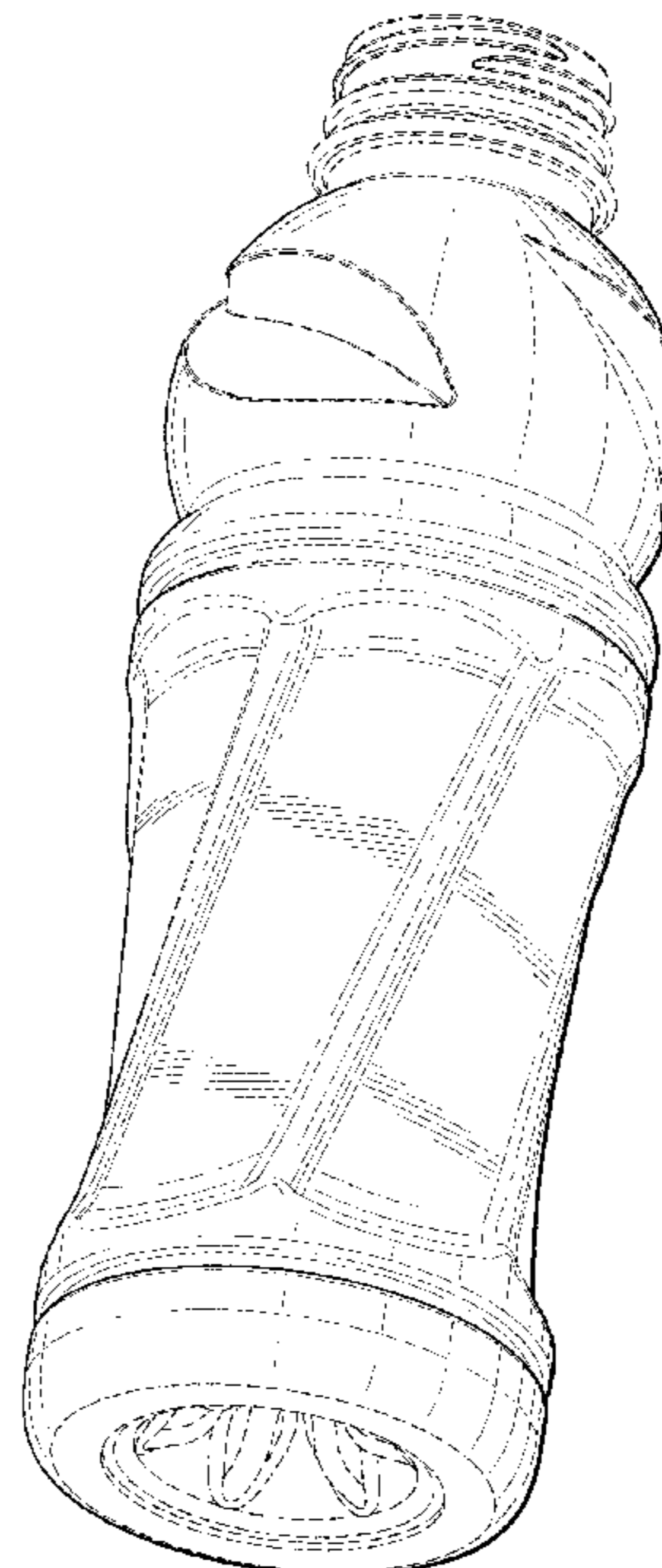
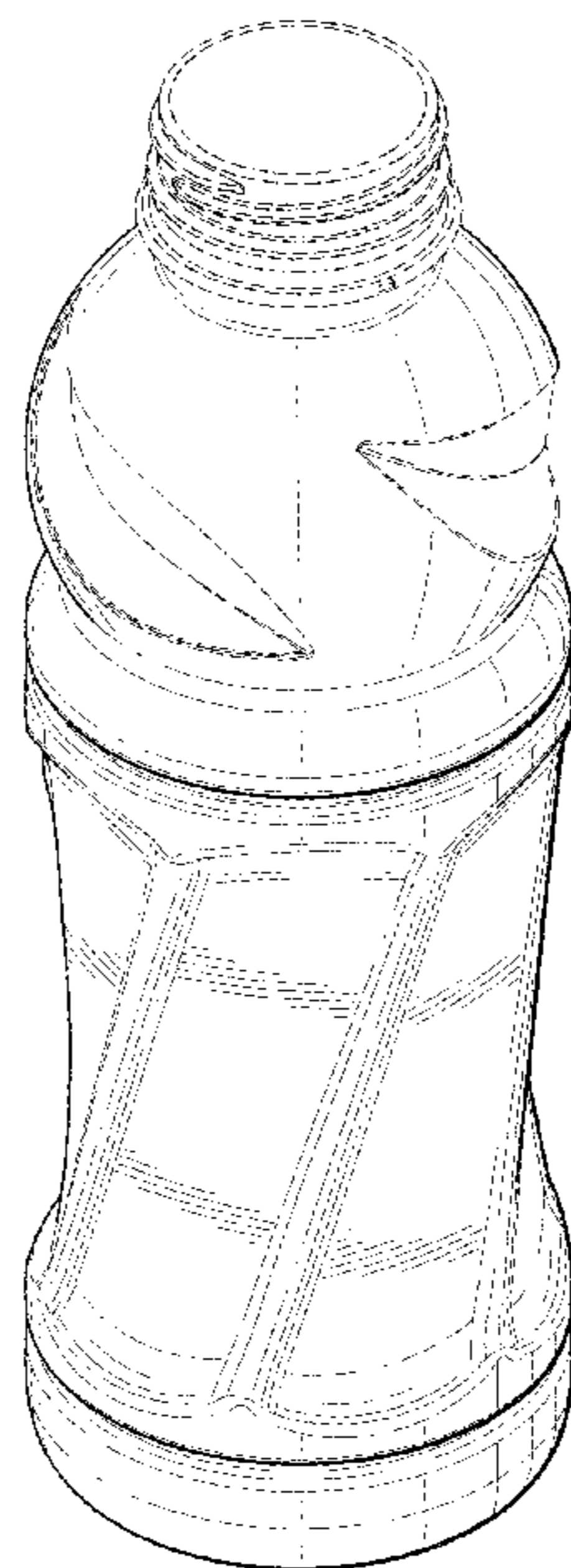
FIG. 6 is a left side elevational view thereof;

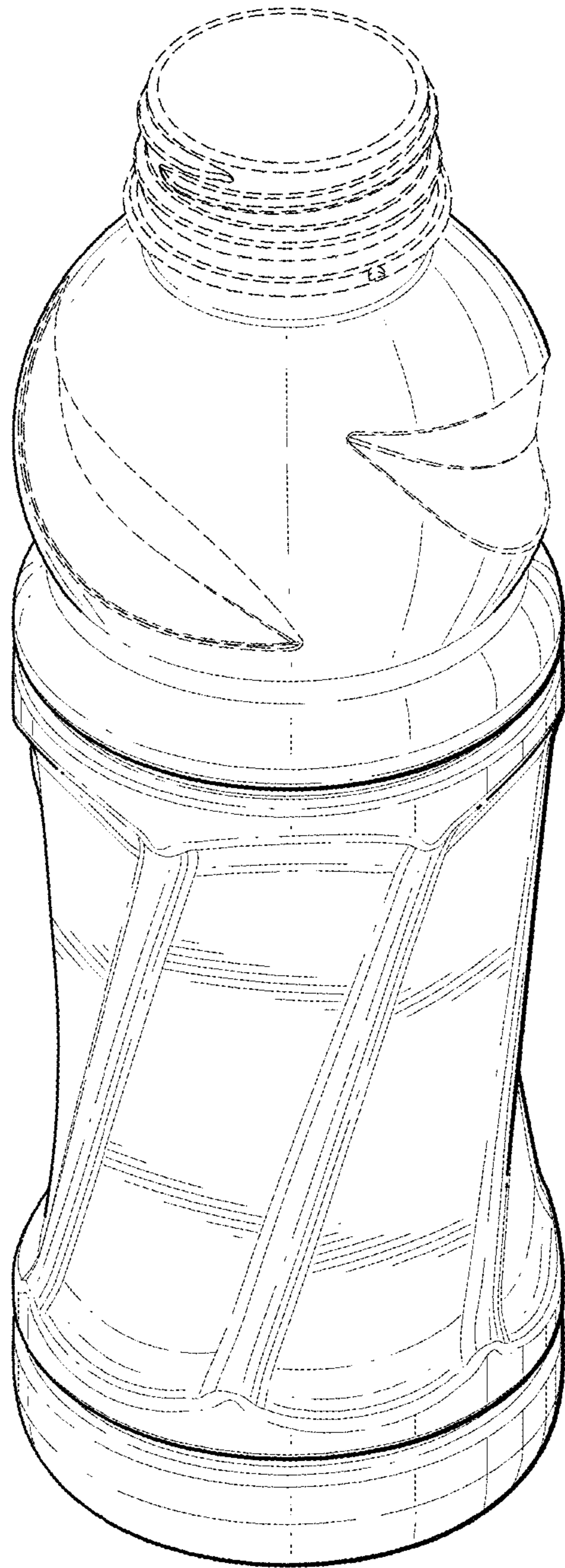
FIG. 7 is a top plan view thereof; and,

FIG. 8 is a bottom plan view thereof.

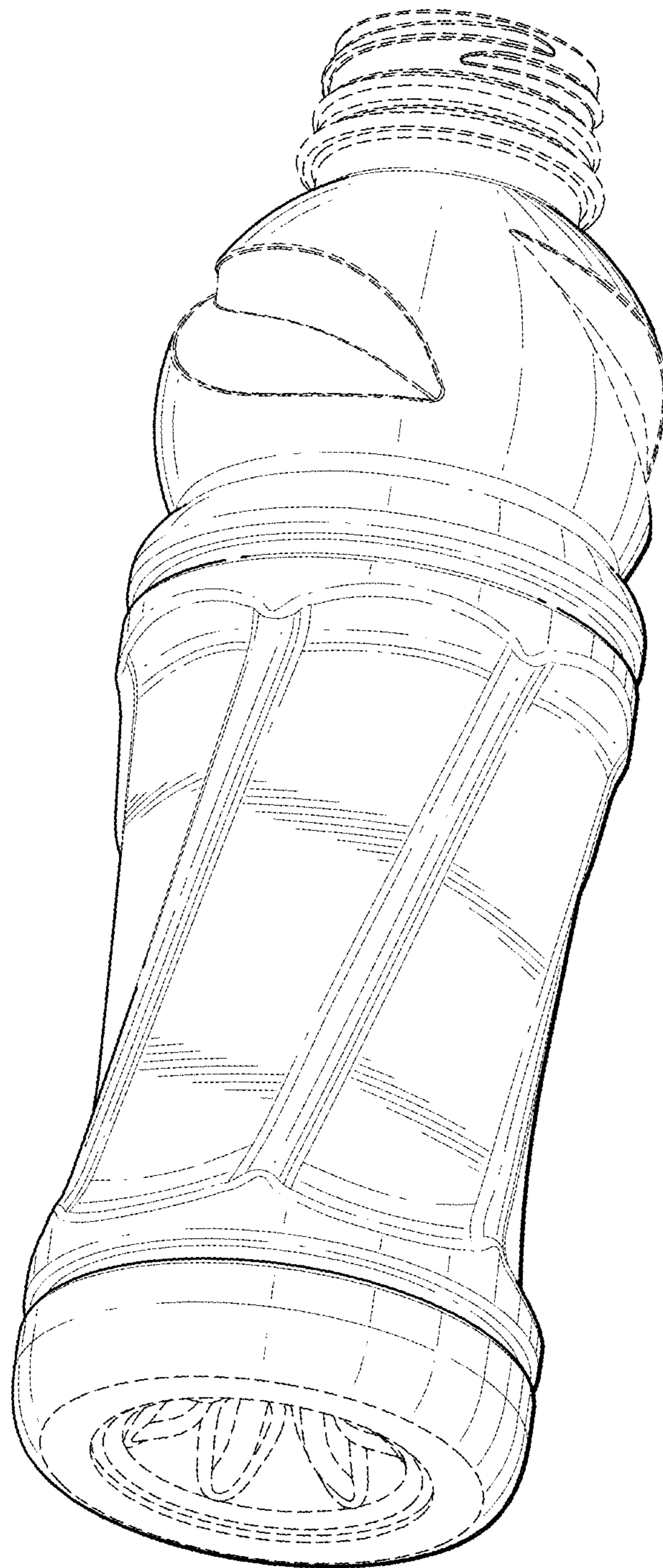
The broken lines shown in the drawings are included for the purpose of illustrating environmental structure and form no part of the claimed design.

**1 Claim, 7 Drawing Sheets**

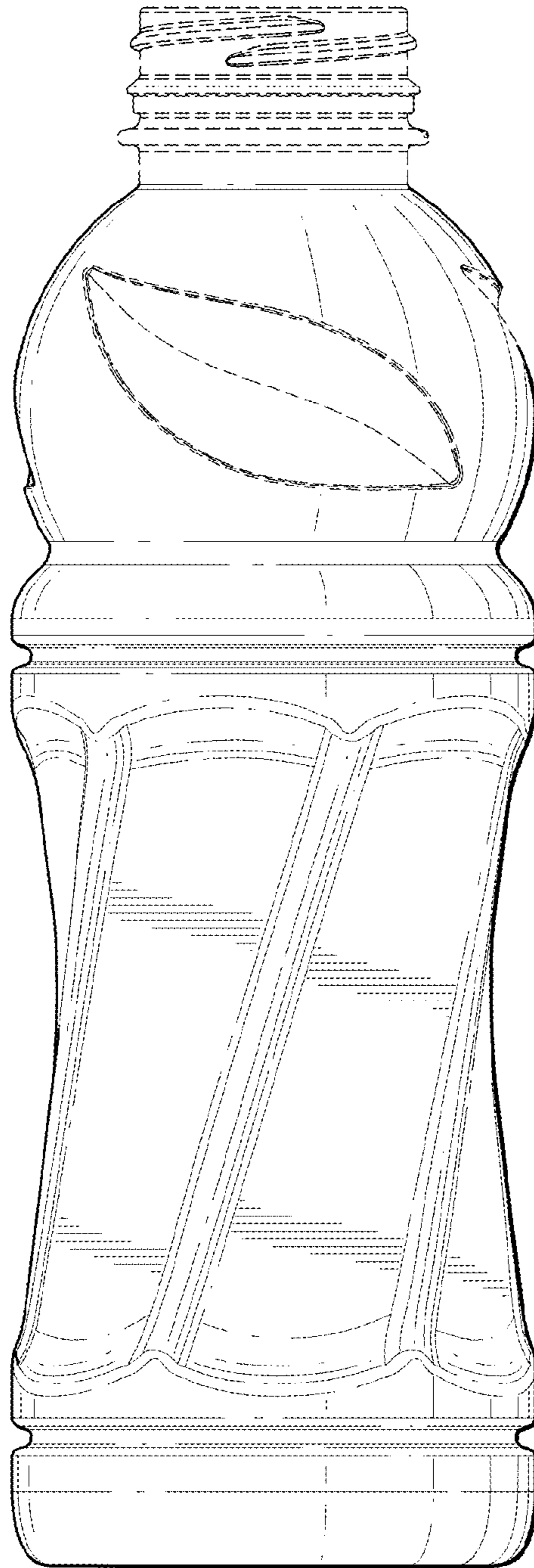




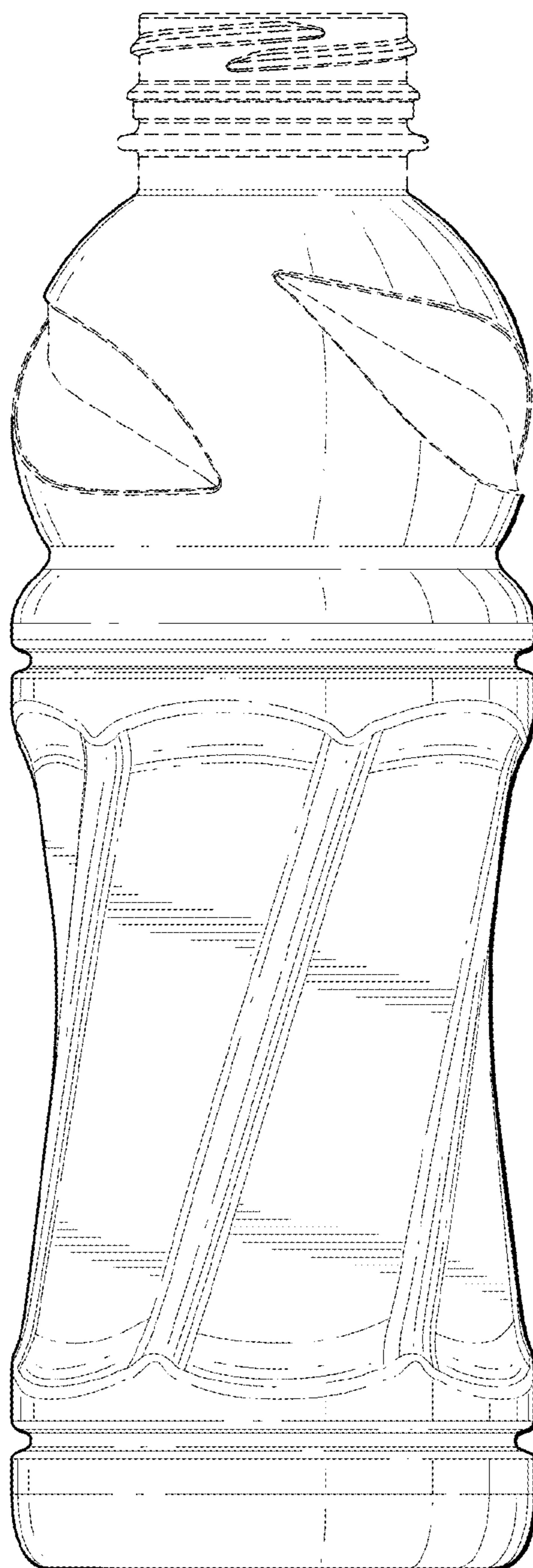
*FIG. 1*



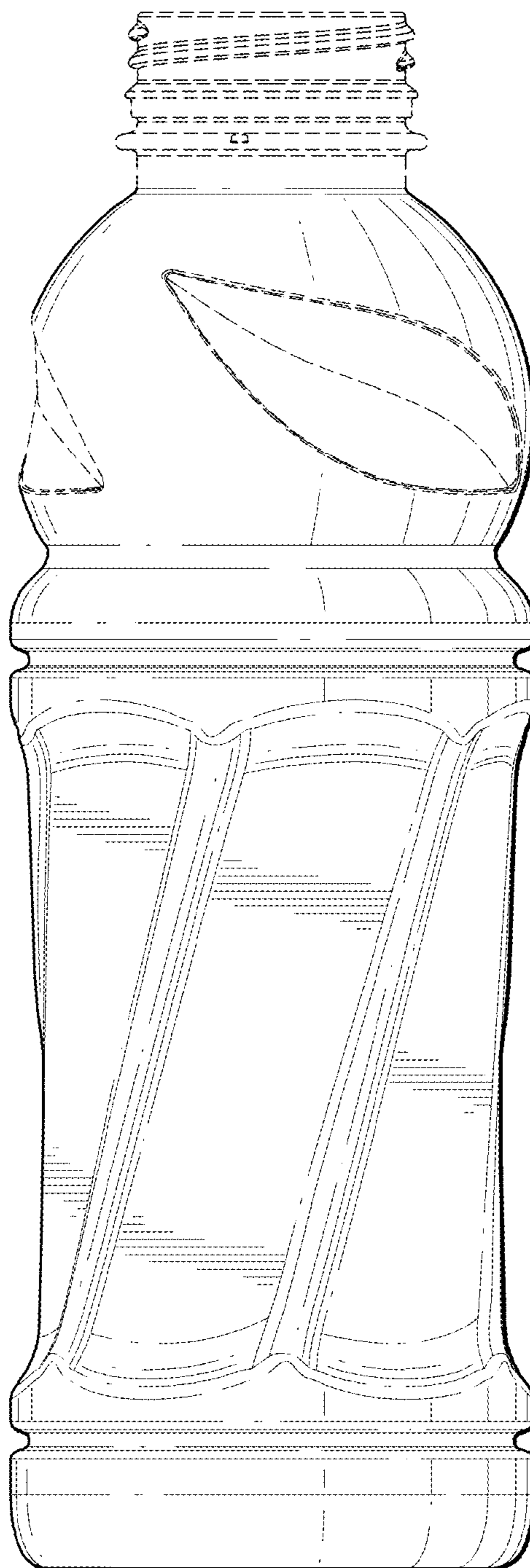
*FIG. 2*



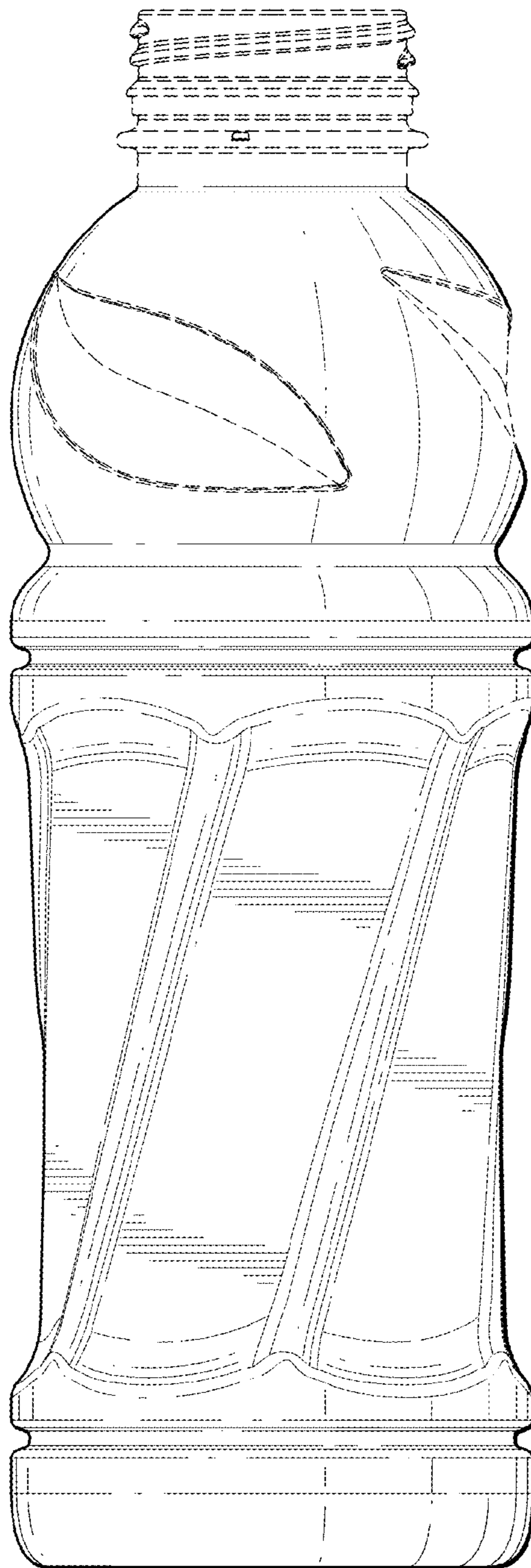
*FIG. 3*



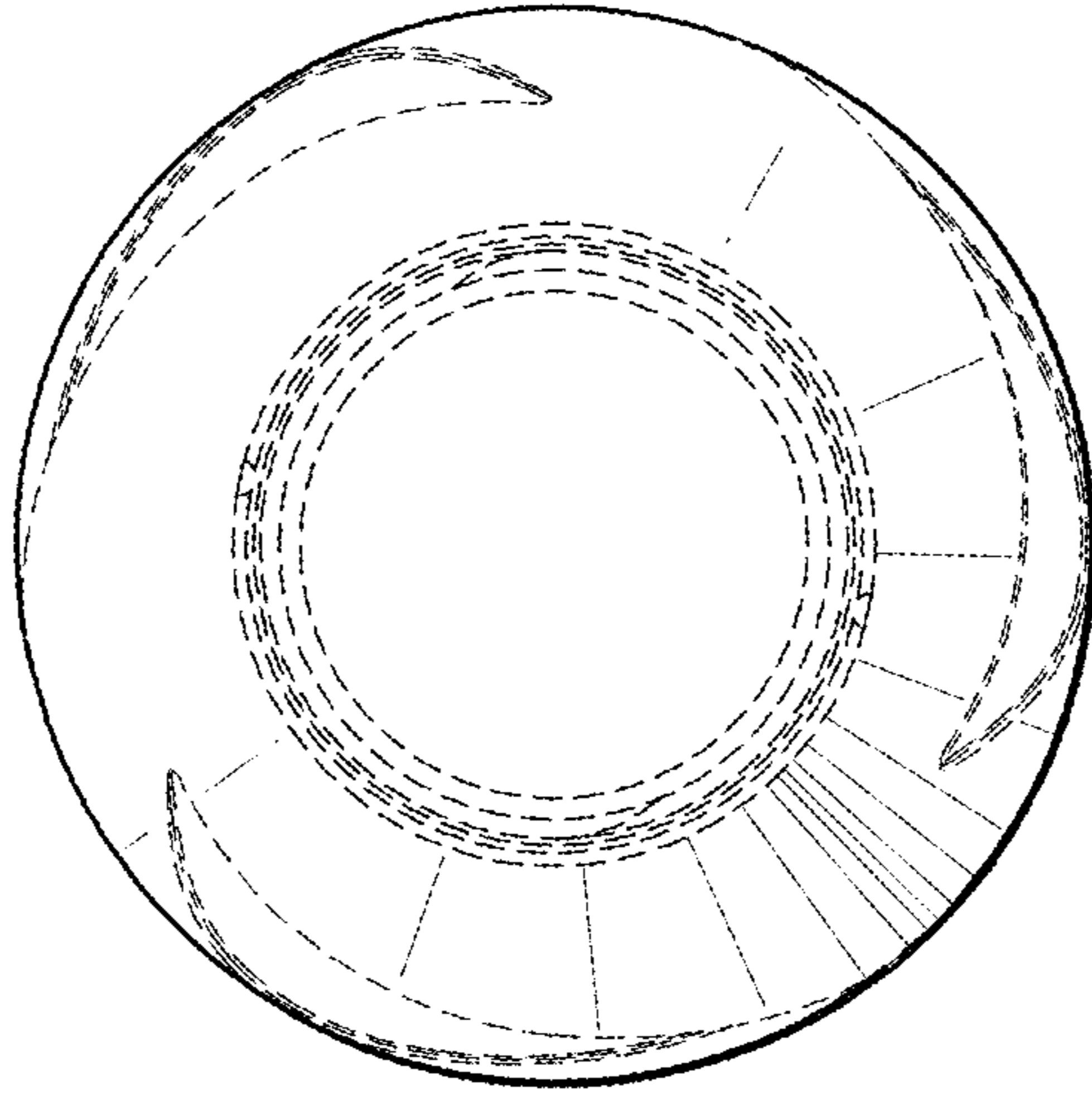
*FIG. 4*



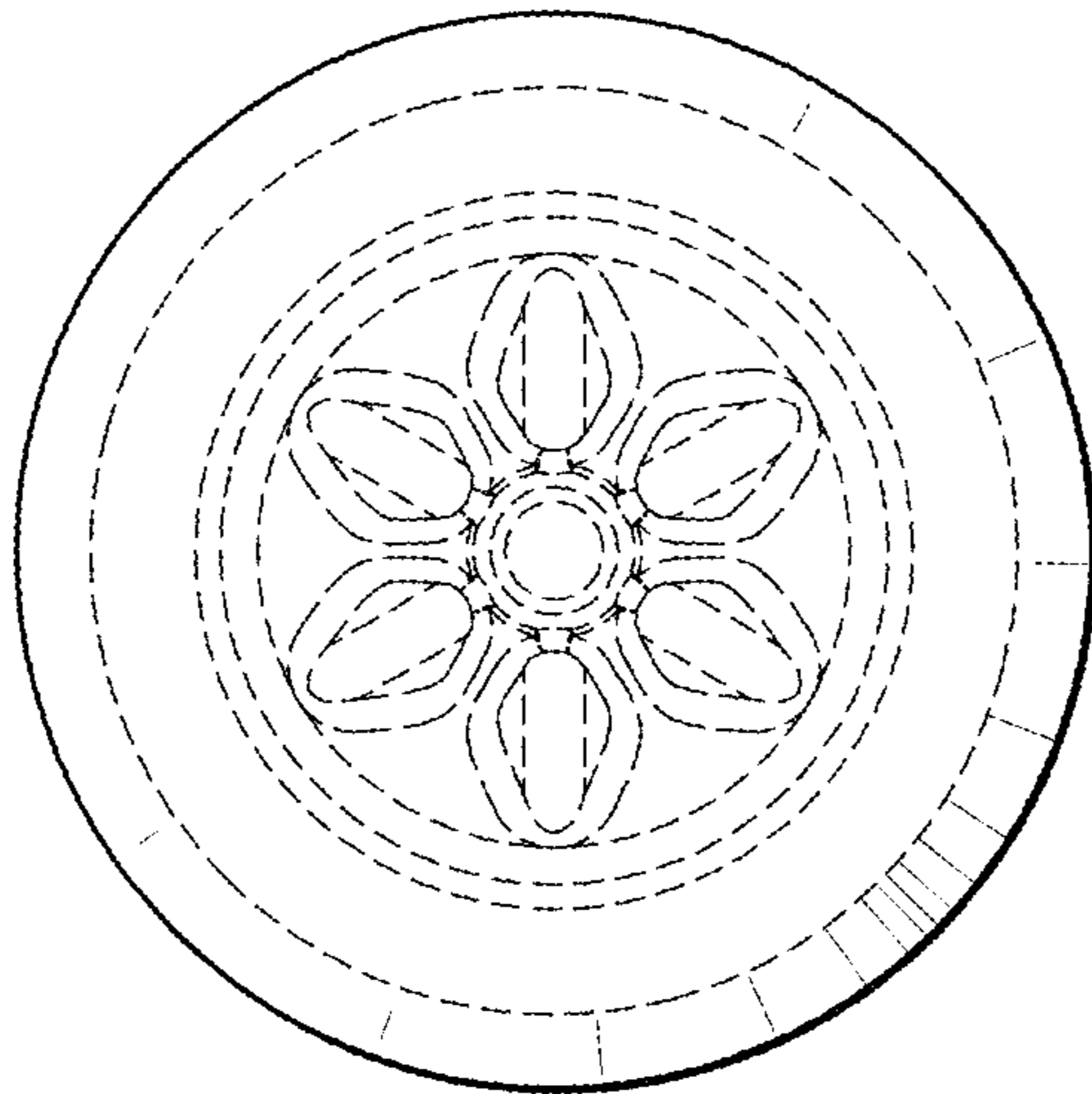
*FIG. 5*



*FIG. 6*



*FIG. 7*



*FIG. 8*