



US00D711236S

(12) **United States Design Patent**
Friesen et al.

(10) **Patent No.:** **US D711,236 S**

(45) **Date of Patent:** **** Aug. 19, 2014**

(54) **BOTTLE**

(75) Inventors: **Bradley Gordon Friesen**, Vancouver (CA); **Alexander Trampolski**, Eastvale, CA (US)

(73) Assignee: **Bootlecap Holdings Ltd.**, Vancouver, British Columbia (CA)

(**) Term: **14 Years**

(21) Appl. No.: **29/406,229**

(22) Filed: **Nov. 10, 2011**

(30) **Foreign Application Priority Data**

May 11, 2011 (CA) 140596

(51) **LOC (10) Cl.** **09-01**

(52) **U.S. Cl.**
USPC **D9/519**; D9/559; D9/566; D9/574

(58) **Field of Classification Search**
USPC D9/516, 519, 544, 546, 559, 560, 563, D9/565-566, 573-574; 215/370, 371, 379, 215/381-383; 220/660, 662, 669, 675
See application file for complete search history.

(56) **References Cited**

U.S. PATENT DOCUMENTS

D71,782 S *	1/1927	Delaize	D9/544
D76,405 S *	9/1928	Lavault	D9/546
D80,709 S *	3/1930	Teague	D9/559
D80,918 S *	4/1930	Teague	D9/546
D81,167 S *	5/1930	Teague	D9/651
D81,602 S *	7/1930	Teague	D9/546
D86,540 S *	3/1932	Piazzoli	D9/546
D86,566 S *	3/1932	Gibbson	D9/544
D86,584 S *	3/1932	Smith	D9/546
D91,392 S *	1/1934	Hale et al.	D9/566
D93,073 S *	8/1934	Westlake	D9/546
D94,153 S *	12/1934	Levine	D9/573

D97,681 S *	12/1935	Larsen	D9/651
D126,514 S *	4/1941	Payne	D9/566
D187,886 S *	5/1960	Hurlstone	D9/566
D333,269 S *	2/1993	Albright et al.	D9/544
D353,081 S *	12/1994	Drewes et al.	D7/701
D382,486 S *	8/1997	Heinz	D9/546
D444,071 S *	6/2001	Mansau	D9/566
D471,467 S *	3/2003	Kokubo et al.	D9/566
D477,227 S *	7/2003	Goswell	D9/651
D515,194 S *	2/2006	Chen	D23/366
D586,226 S *	2/2009	Lloyd	D9/556
D626,422 S *	11/2010	Lloyd	D9/566

OTHER PUBLICATIONS

<http://perdita.net/projects/lh2o/>, "LH20, an experiment by Pedrita with Água de Luso, Space filing research project and packaging design," web archive date of Jan. 29, 2010, 7 pages.

* cited by examiner

Primary Examiner — Carol P Rademaker

(74) *Attorney, Agent, or Firm* — Klarquist Sparkman, LLP

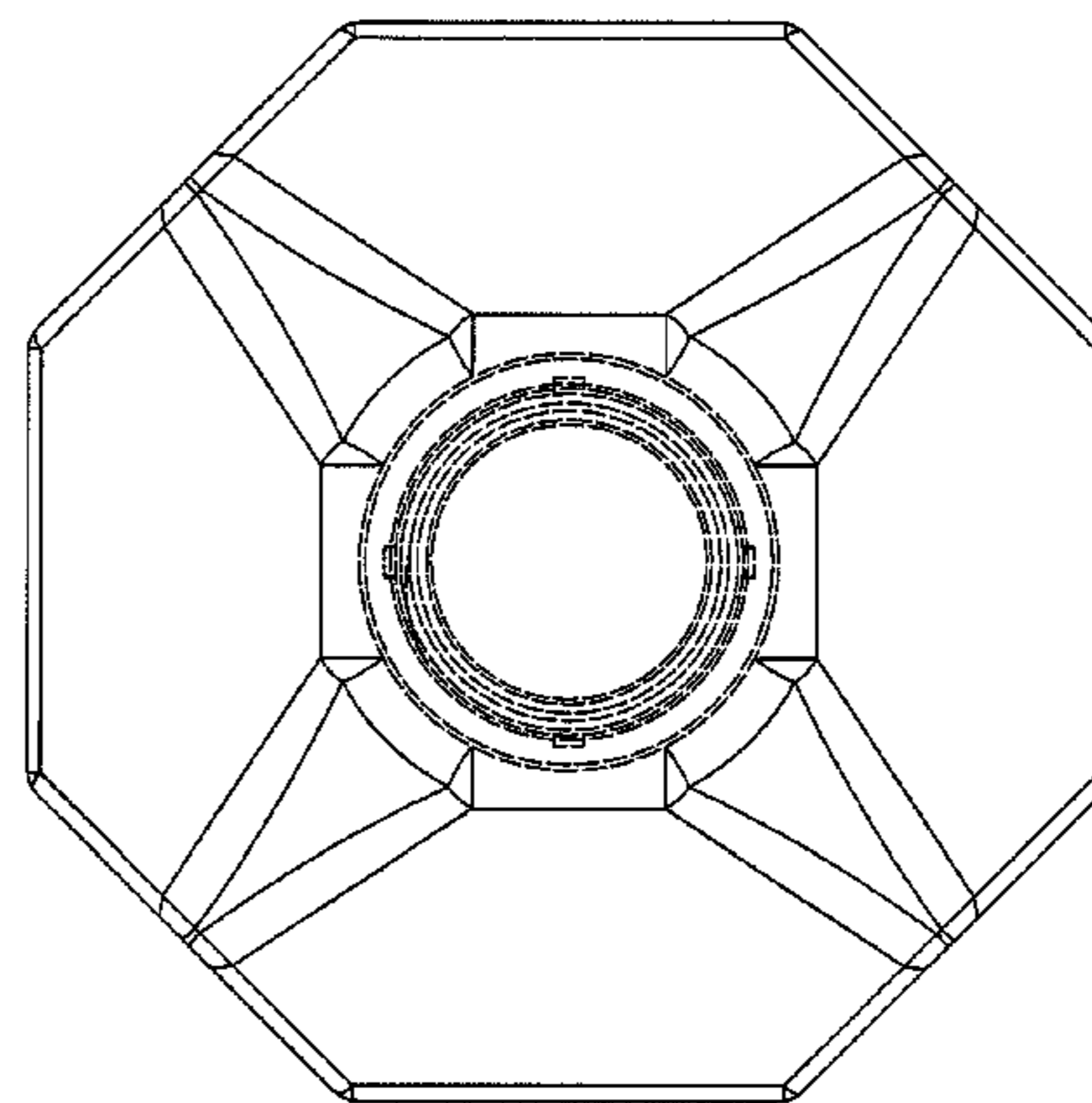
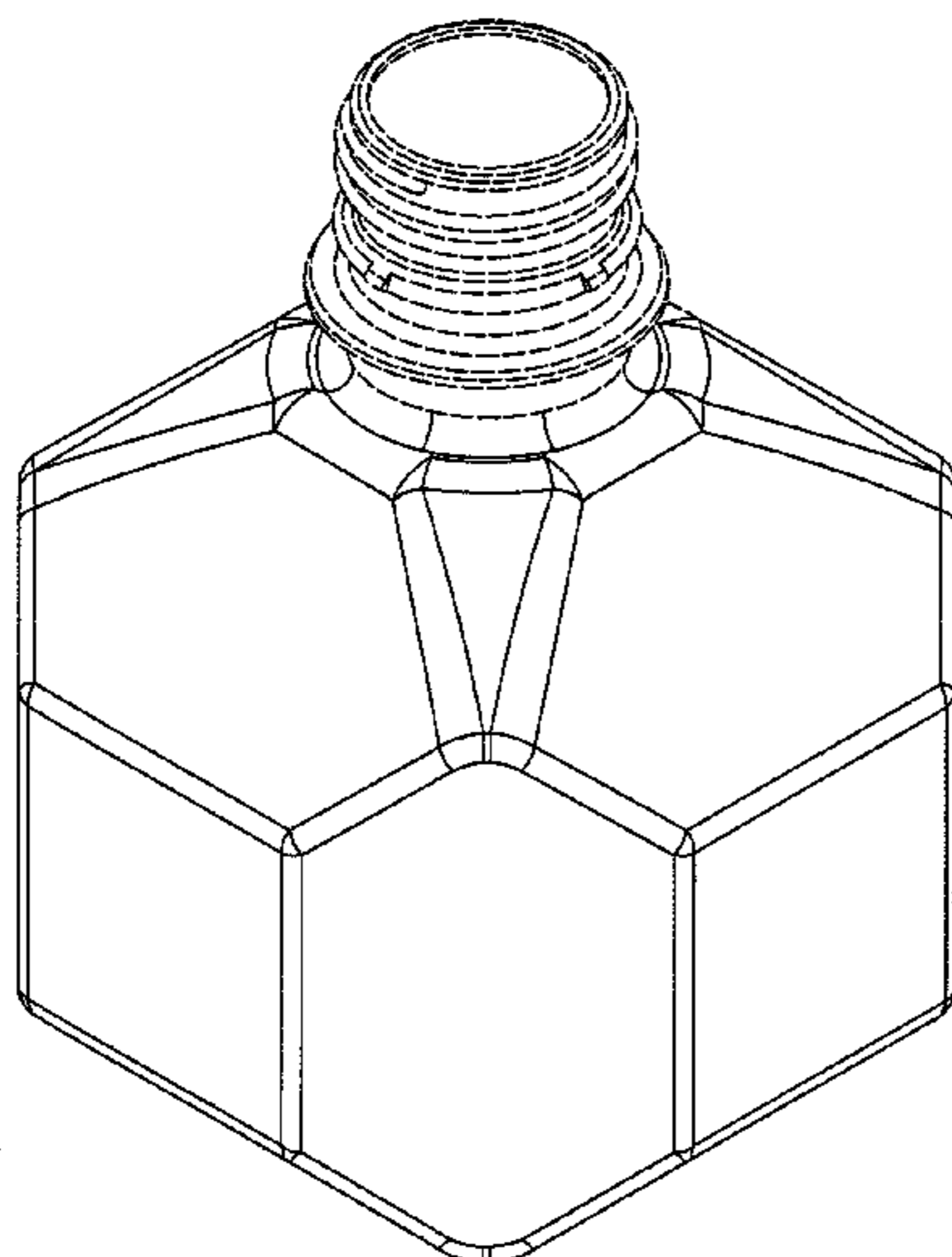
(57) **CLAIM**

We claim the ornamental design for a bottle, as shown and described.

DESCRIPTION

FIG. 1 is a top, front, right side perspective view of a bottle according to our new design;
FIG. 2 is a front elevational view thereof;
FIG. 3 is a right side elevational view thereof;
FIG. 4 is a rear elevational view thereof;
FIG. 5 is a top plan view thereof;
FIG. 6 is a left side elevational view thereof; and,
FIG. 7 is a bottom plan view thereof.
The broken lines shown in the drawings are included for the purpose of illustrating environmental structure and form no part of the claimed design.

1 Claim, 7 Drawing Sheets



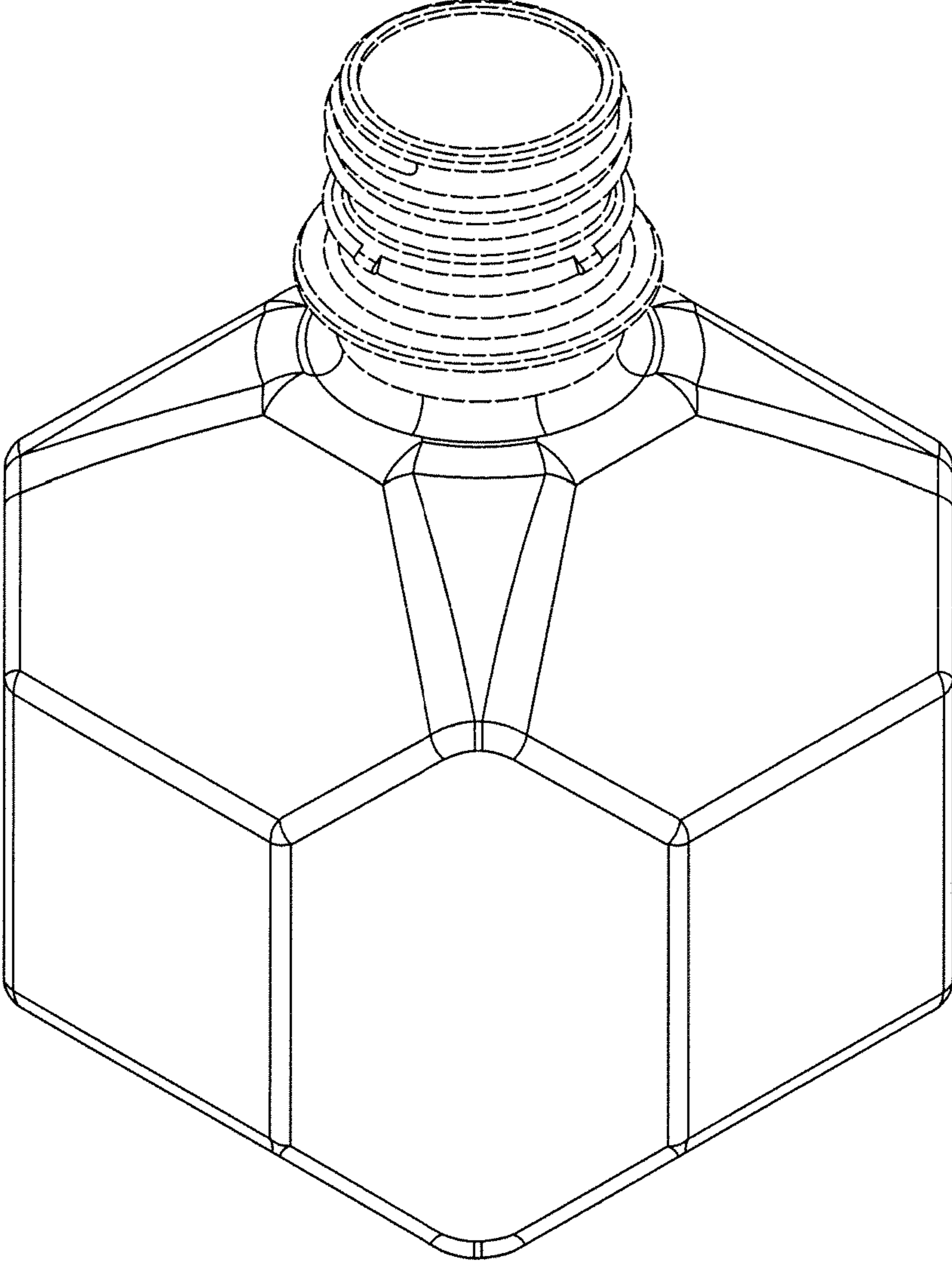


FIG. 1

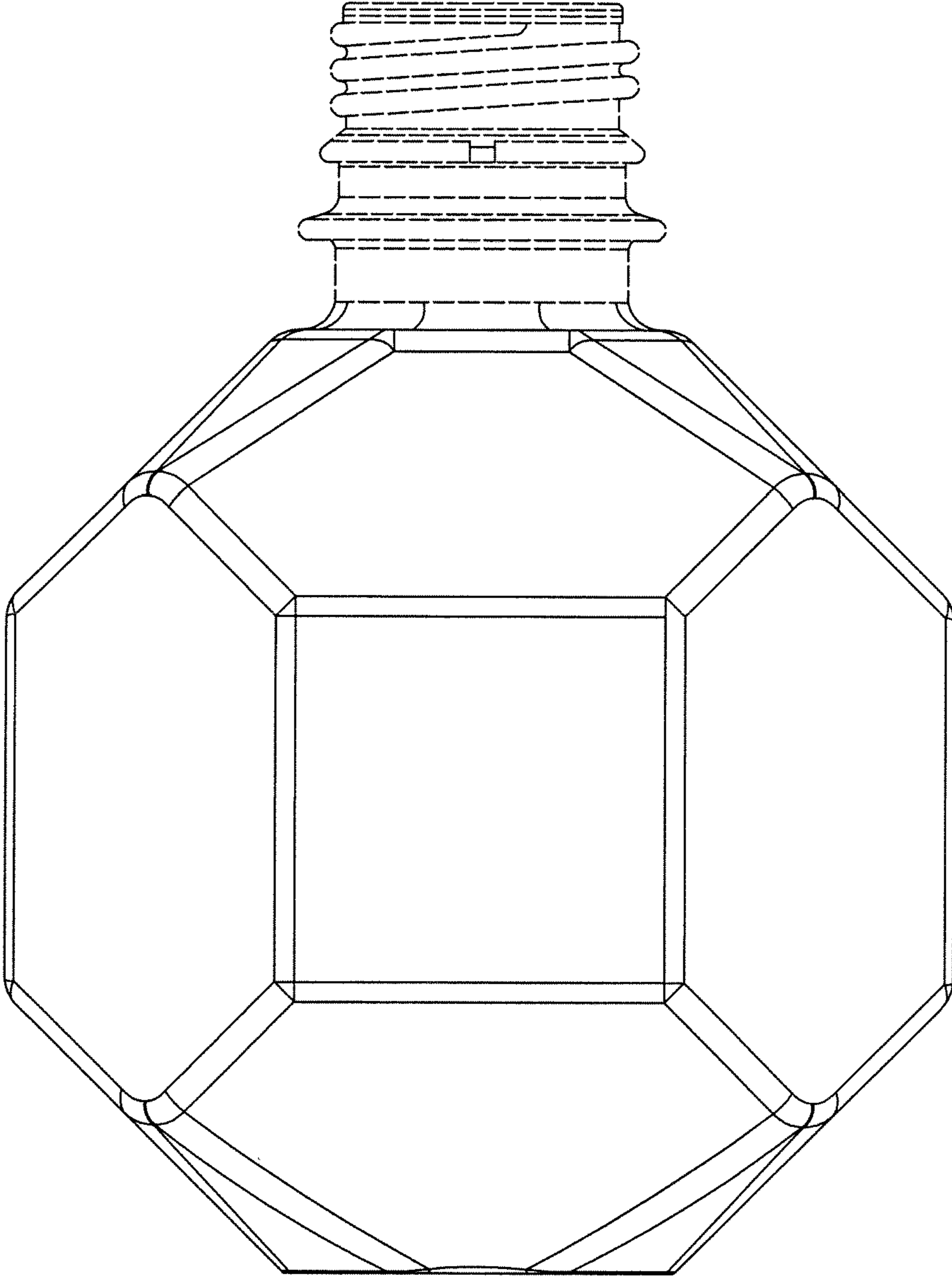


FIG. 2

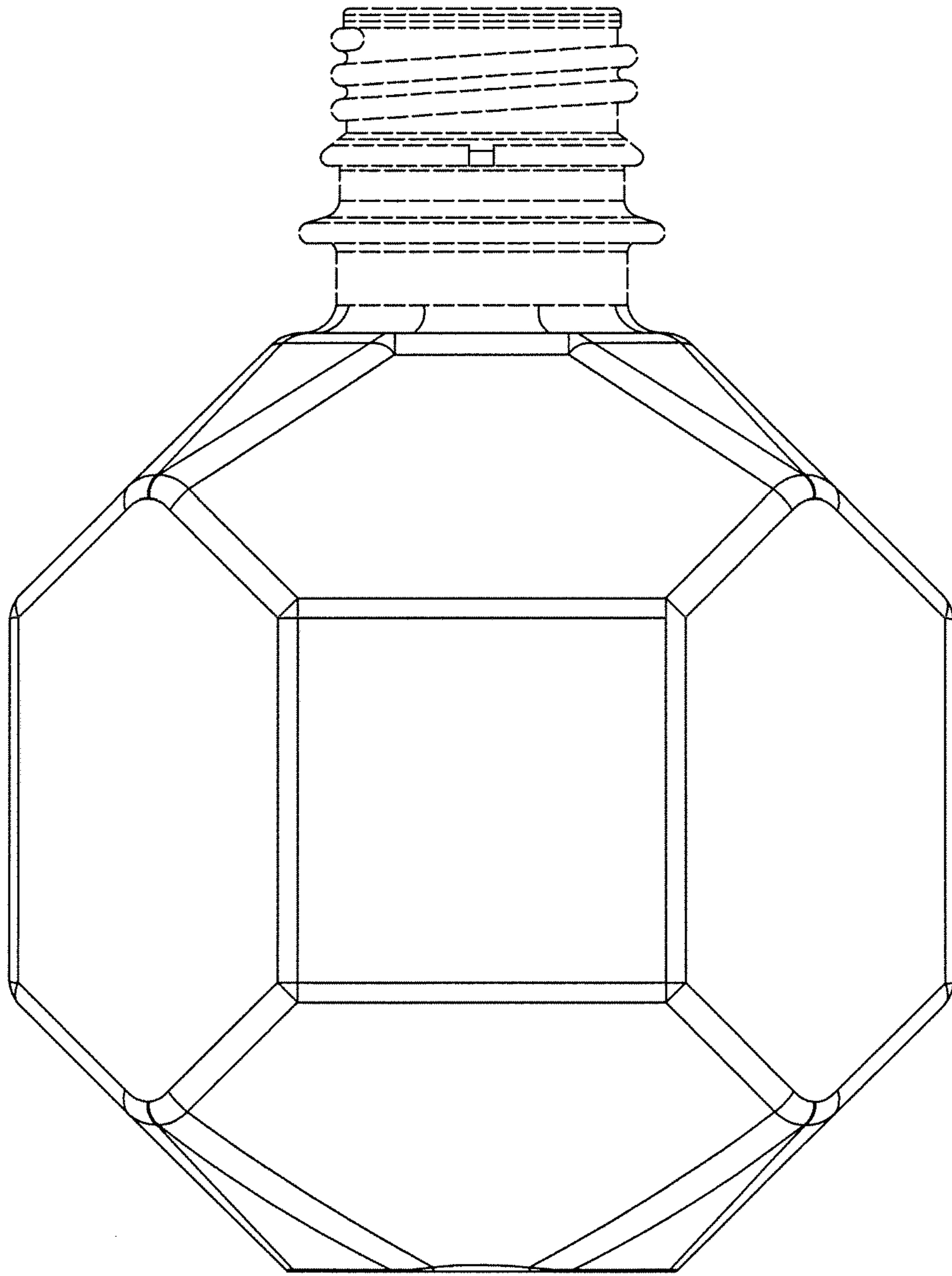


FIG. 3

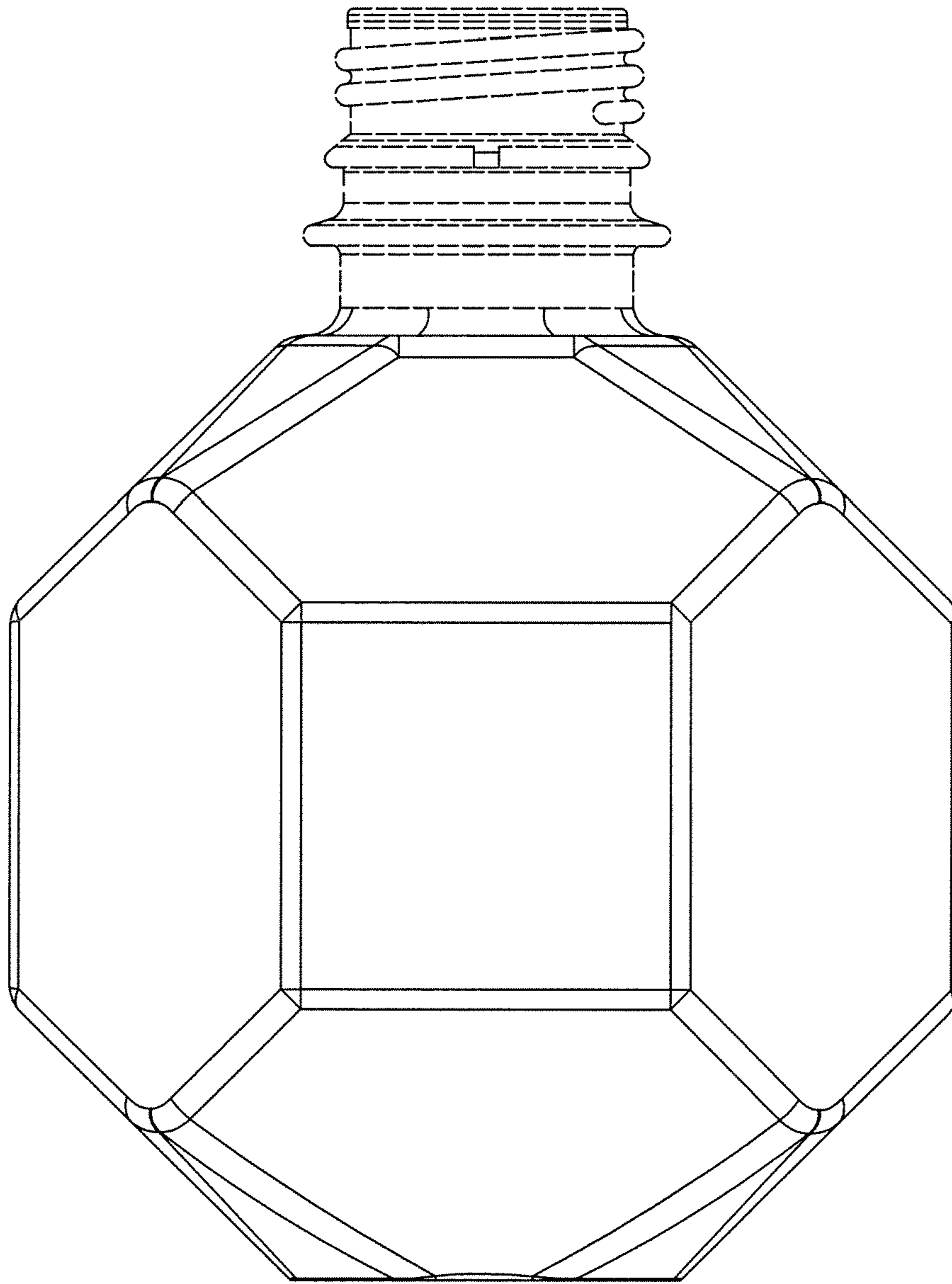


FIG. 4

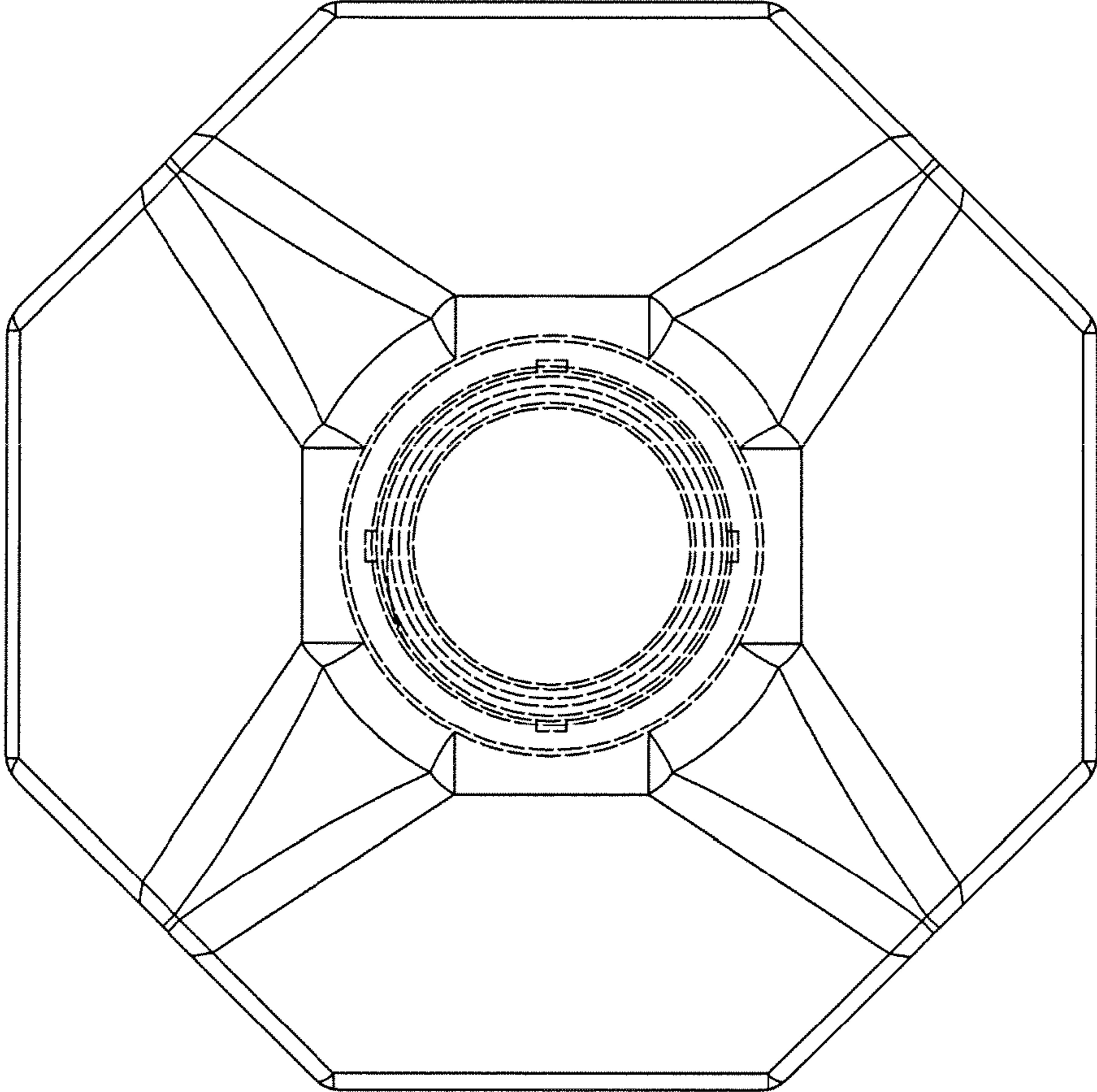


FIG. 5

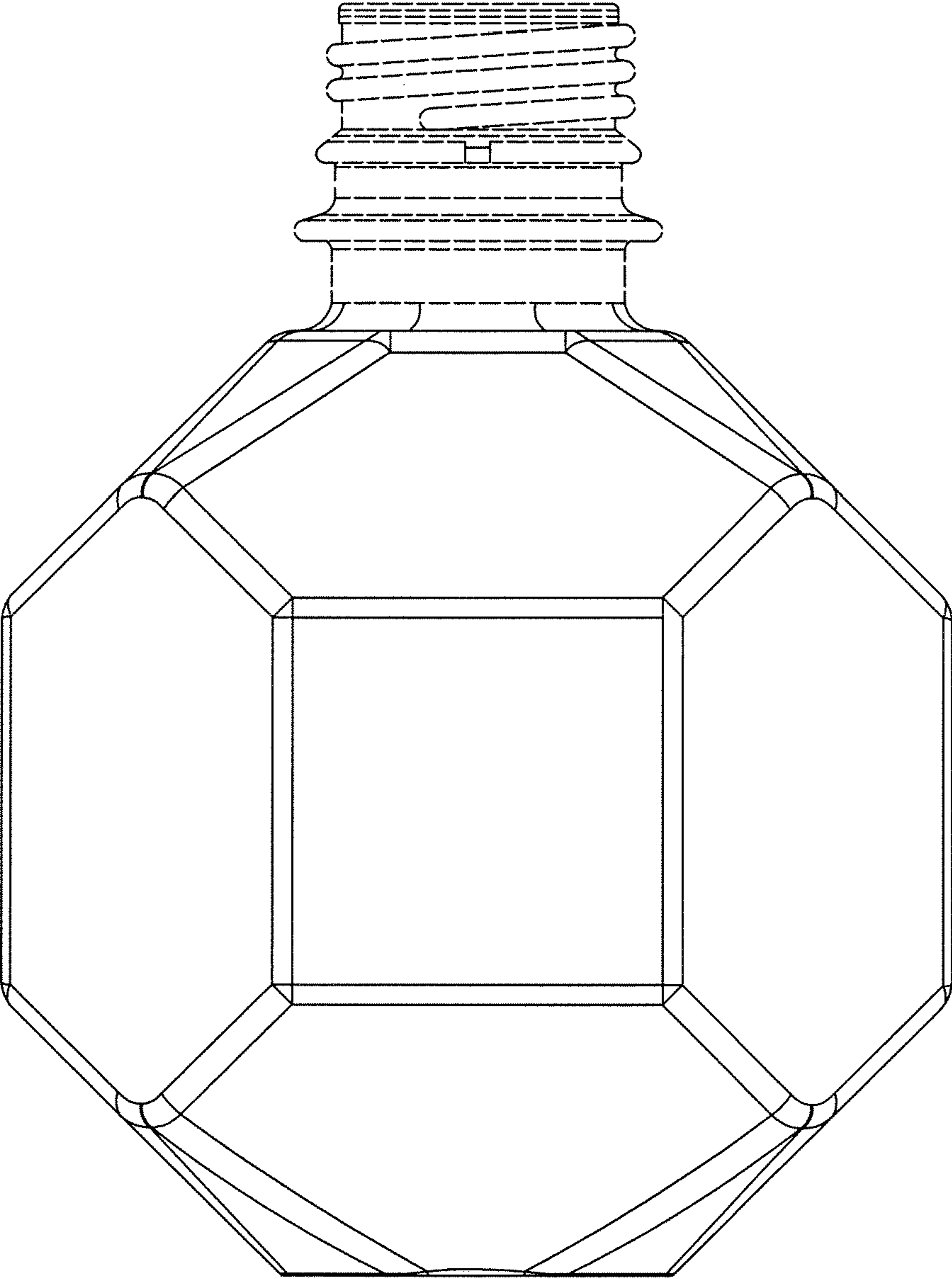


FIG. 6

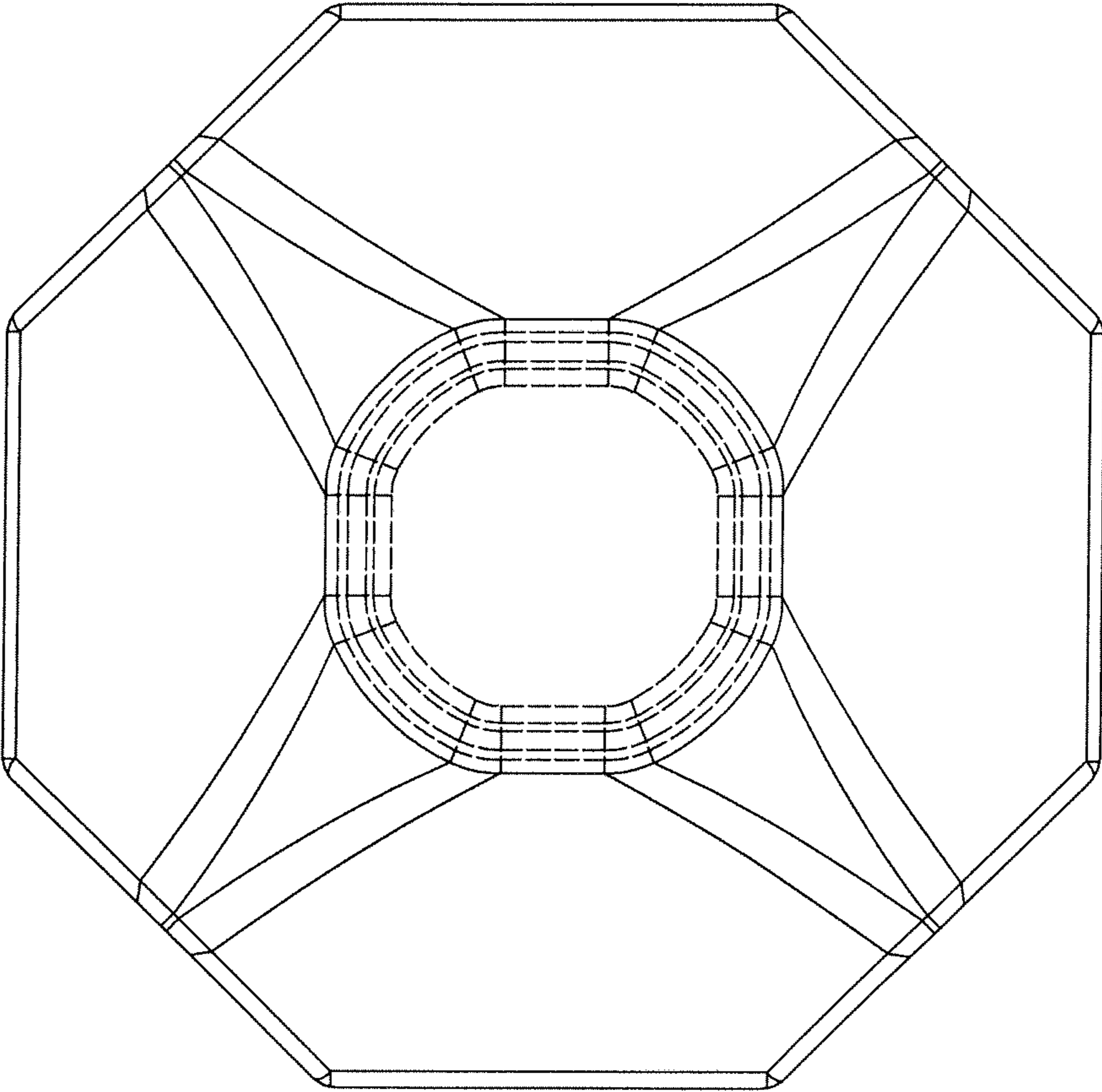


FIG. 7