



US00D711234S

(12) **United States Design Patent**
Morgan et al.

(10) **Patent No.:** **US D711,234 S**

(45) **Date of Patent:** **** Aug. 19, 2014**

(54) **PRODUCT PACKAGING**

(71) Applicant: **National Concessions, Inc.**, Denver, CO (US)

(72) Inventors: **Ralph Morgan**, Evergreen, CO (US); **Jeremy Heidl**, Denver, CO (US); **Blake St. Clair**, Denver, CO (US)

(**) Term: **14 Years**

(21) Appl. No.: **29/470,944**

(22) Filed: **Oct. 25, 2013**

(51) **LOC (10) Cl.** **09-03**

(52) **U.S. Cl.**
USPC **D9/457**

(58) **Field of Classification Search**
CPC B65D 73/00
USPC D9/434, 457, 499; D27/176; 206/242, 206/273, 461, 478, 488; 248/174; 211/70.3
See application file for complete search history.

(56) **References Cited**

U.S. PATENT DOCUMENTS

4,023,759 A * 5/1977 Perkins 248/174
4,328,894 A * 5/1982 Edell 206/461

(Continued)

OTHER PUBLICATIONS

Personal Vaporizer Review: The O.Pen. *Cannabis Commerce Online* Periodical article by Lory Kohn dated Feb. 1, 2013. <http://cannabis-commerce.com/2013/02/01/o-pen-personal-vaporizer-review/>.*

(Continued)

Primary Examiner — Robert M Spear

(74) *Attorney, Agent, or Firm* — Sheridan Ross P.C.

(57) **CLAIM**

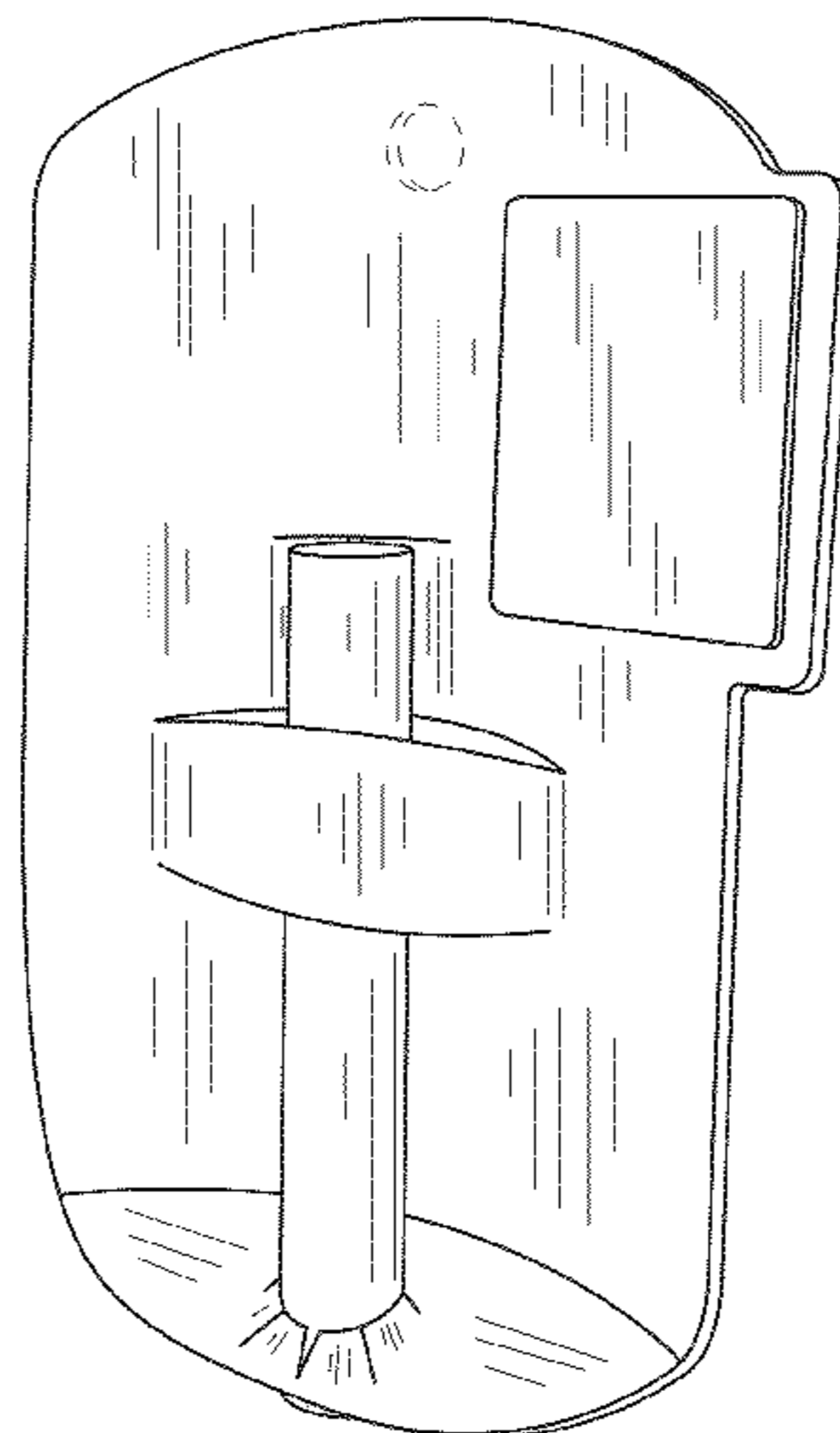
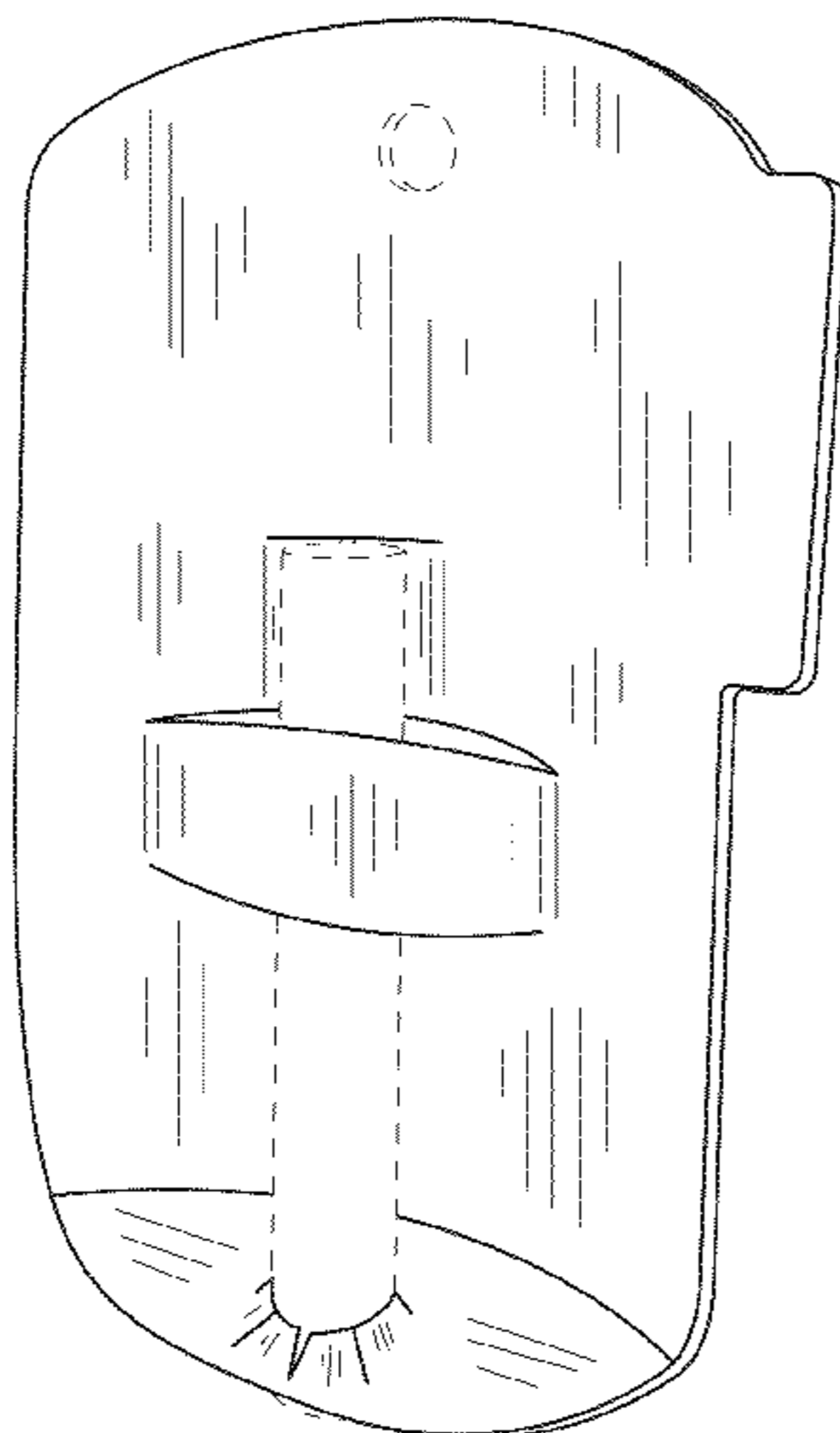
The ornamental design for product packaging, as shown and described.

DESCRIPTION

FIG. 1 is a front perspective view of the product packaging; FIG. 2 is a top plan view thereof; FIG. 3 is a front elevation view thereof; FIG. 4 is a right elevation view thereof; FIG. 5 is a left elevation view thereof; FIG. 6 is a rear elevation view thereof; FIG. 7 is a bottom plan view thereof; FIG. 8 is a front perspective view of the product packaging according to an alternative embodiment; FIG. 9 is a top plan view of the product packaging of FIG. 8; FIG. 10 is a front elevation view of the product packaging of FIG. 8; FIG. 11 is a right elevation view of the product packaging of FIG. 8; FIG. 12 is a left elevation view of the product packaging of FIG. 8; FIG. 13 is a rear elevation view of the product packaging of FIG. 8; FIG. 14 is a bottom plan view of the product packaging of FIG. 8; FIG. 15 is a front perspective view of the product packaging according to a second alternative embodiment; FIG. 16 is a top plan view of the product packaging of FIG. 15; FIG. 17 is a front elevation view of the product packaging of FIG. 15; FIG. 18 is a right elevation view of the product packaging of FIG. 15; FIG. 19 is a left elevation view of the product packaging of FIG. 15; FIG. 20 is a rear elevation view of the product packaging of FIG. 15; and, FIG. 21 is a bottom plan view of the product packaging of FIG. 15.

The broken lines showing the product packaging are included for the purpose of illustrating environment and form no part of the claimed design.

1 Claim, 9 Drawing Sheets



(56)

References Cited

U.S. PATENT DOCUMENTS

5,776,586 A 7/1998 Lipper
6,935,516 B2* 8/2005 Chiang 211/70.6
7,246,459 B2 7/2007 Lewis
7,404,488 B2* 7/2008 Verbruggen et al. 206/484
D601,021 S * 9/2009 Hogenbirk D9/457
D614,490 S * 4/2010 Ouimette et al. D9/457
D614,491 S * 4/2010 Rhoad D9/457
7,743,917 B2* 6/2010 Konop et al. 206/349
D620,359 S * 7/2010 Ginsberg et al. D9/457
7,905,351 B2* 3/2011 Konop et al. 206/349

D654,724 S * 2/2012 Lecoutre D6/466
D654,725 S * 2/2012 Lecoutre D6/466
D656,340 S * 3/2012 Lecoutre D6/466
2006/0201836 A1 9/2006 Pendergraph et al.
2007/0284279 A1* 12/2007 Doskoczynski et al. 206/532

OTHER PUBLICATIONS

“Correction: O.Pen Vape Sales Skyrocket . . .” Yahoo Finance online article by Todd Mitchem dated Feb. 24, 2014. <http://finance.yahoo.com/news/correction-o-penvape-sales-skyrocket-155736017.html>.*
U.S. Appl. No. 29/470,945, filed Oct. 25, 2013, Morgan et al.

* cited by examiner

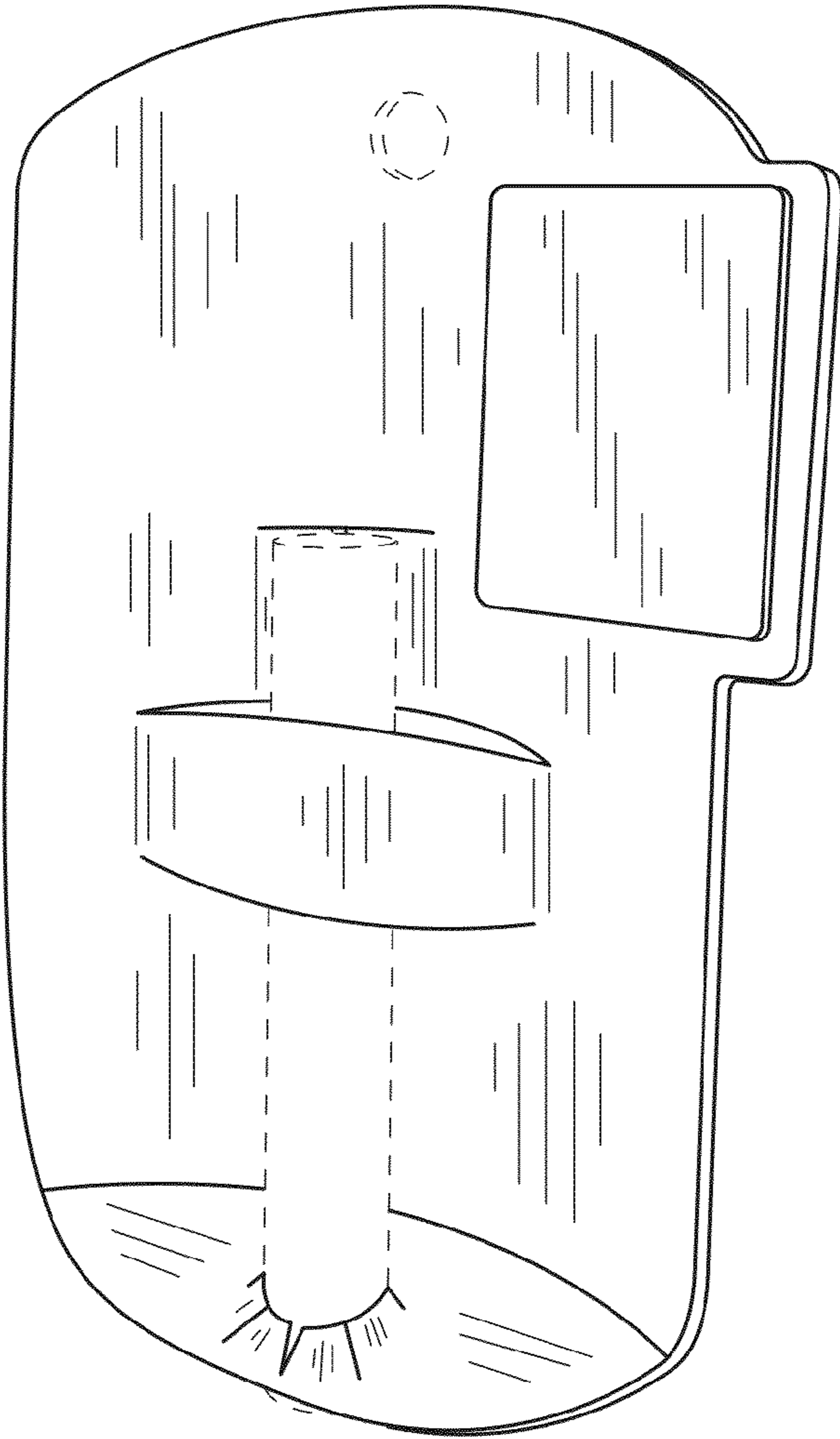


FIG.1

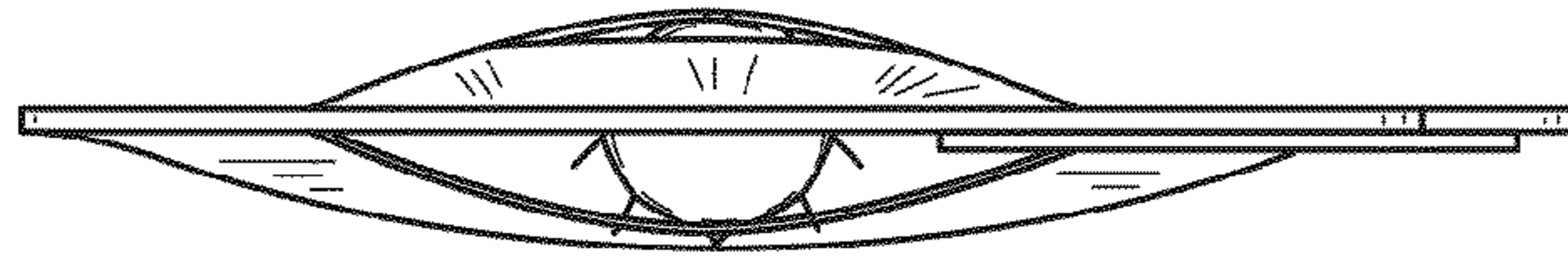


FIG. 2

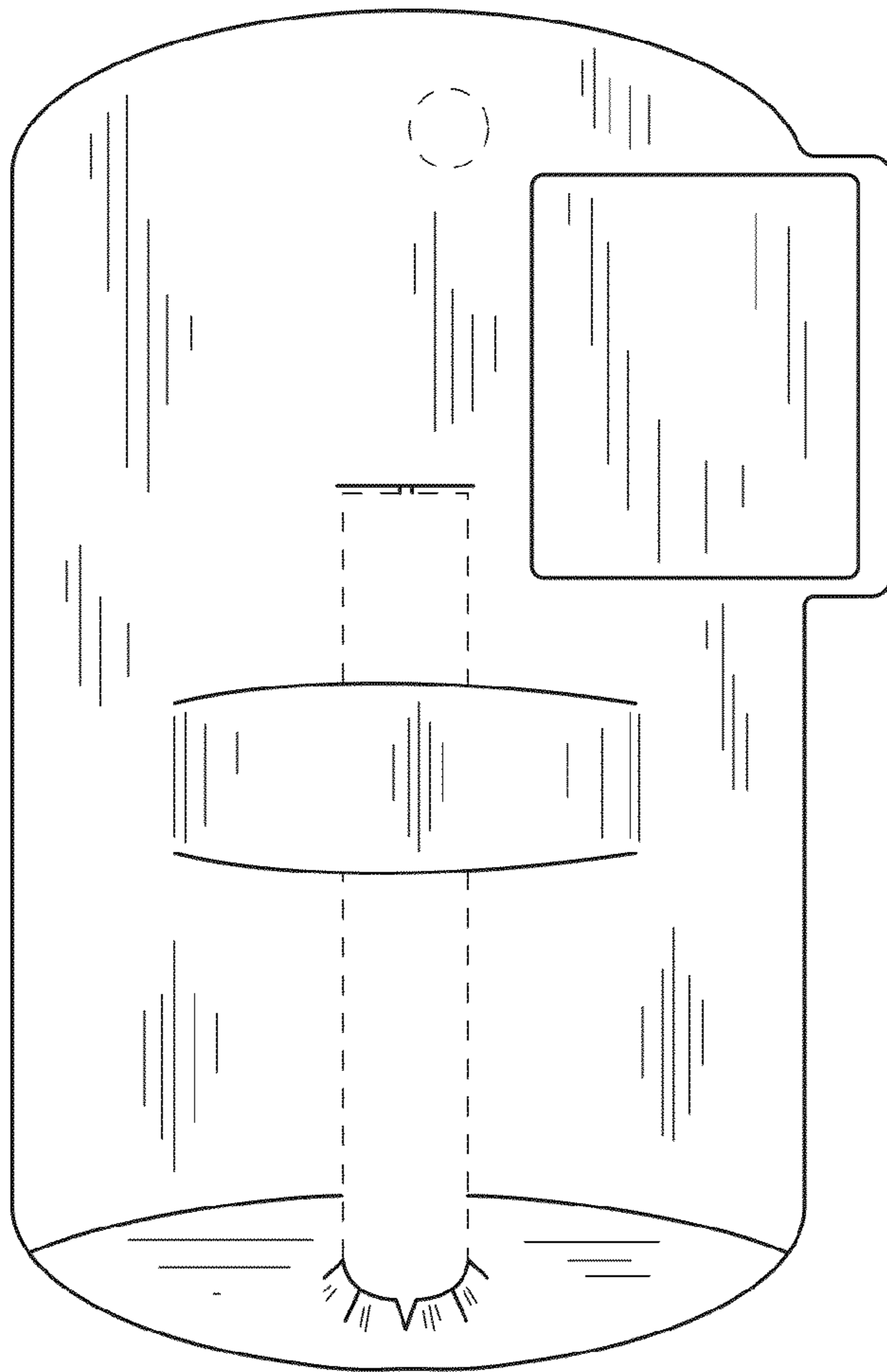


FIG. 3



FIG. 4

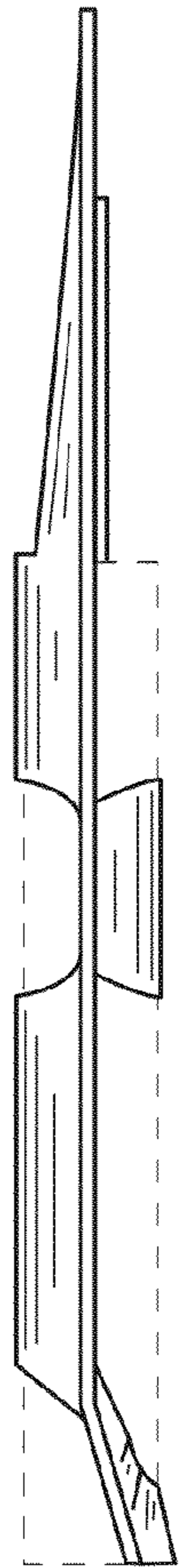


FIG. 5

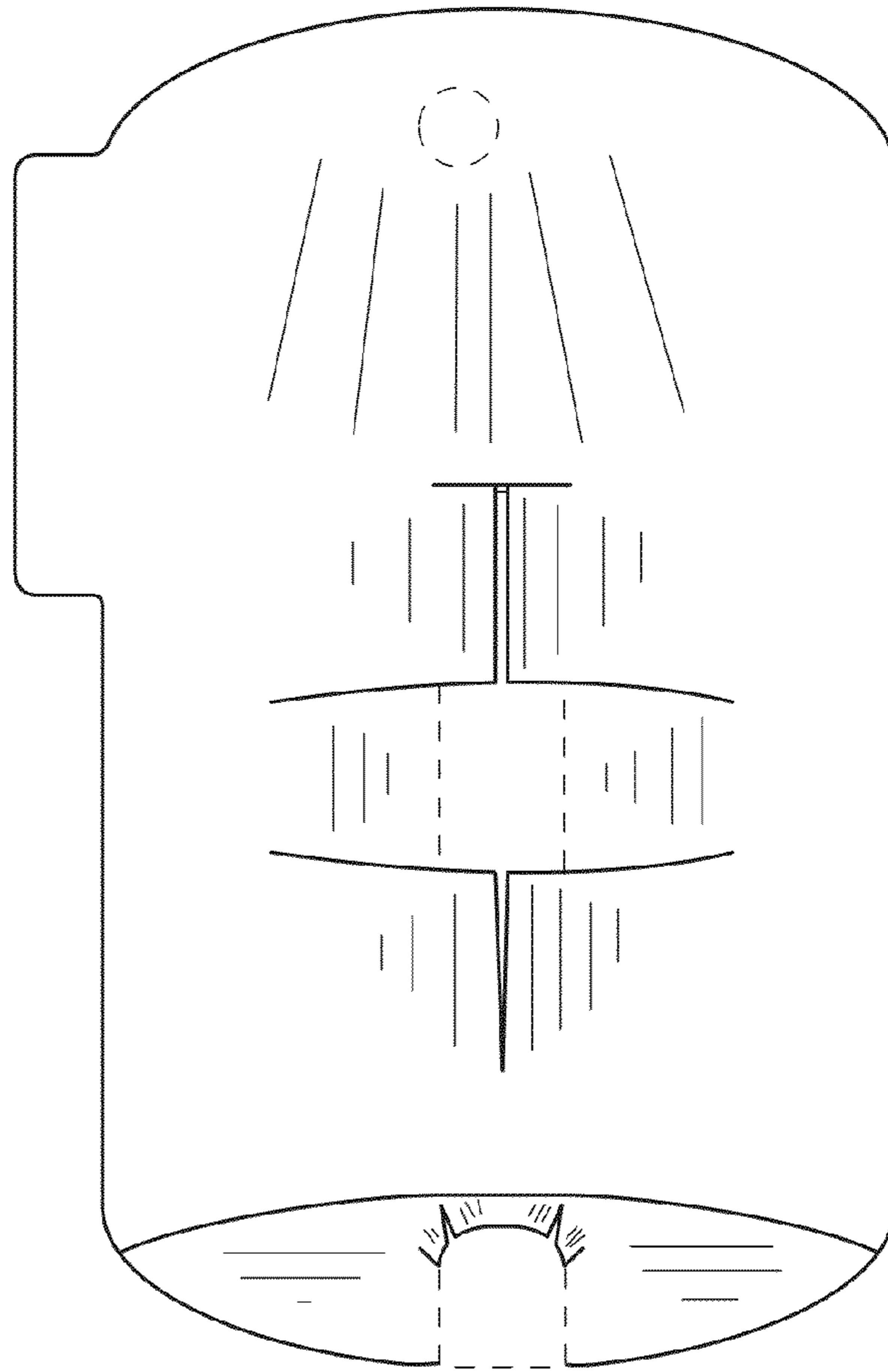


FIG. 6

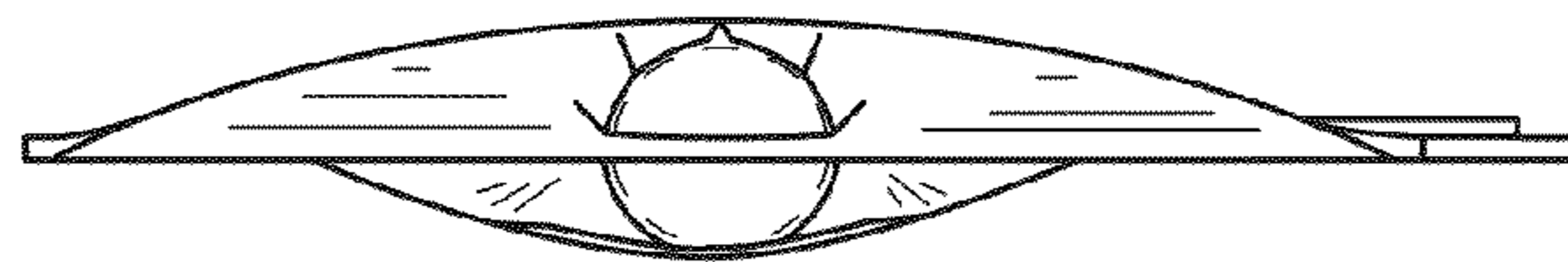


FIG. 7

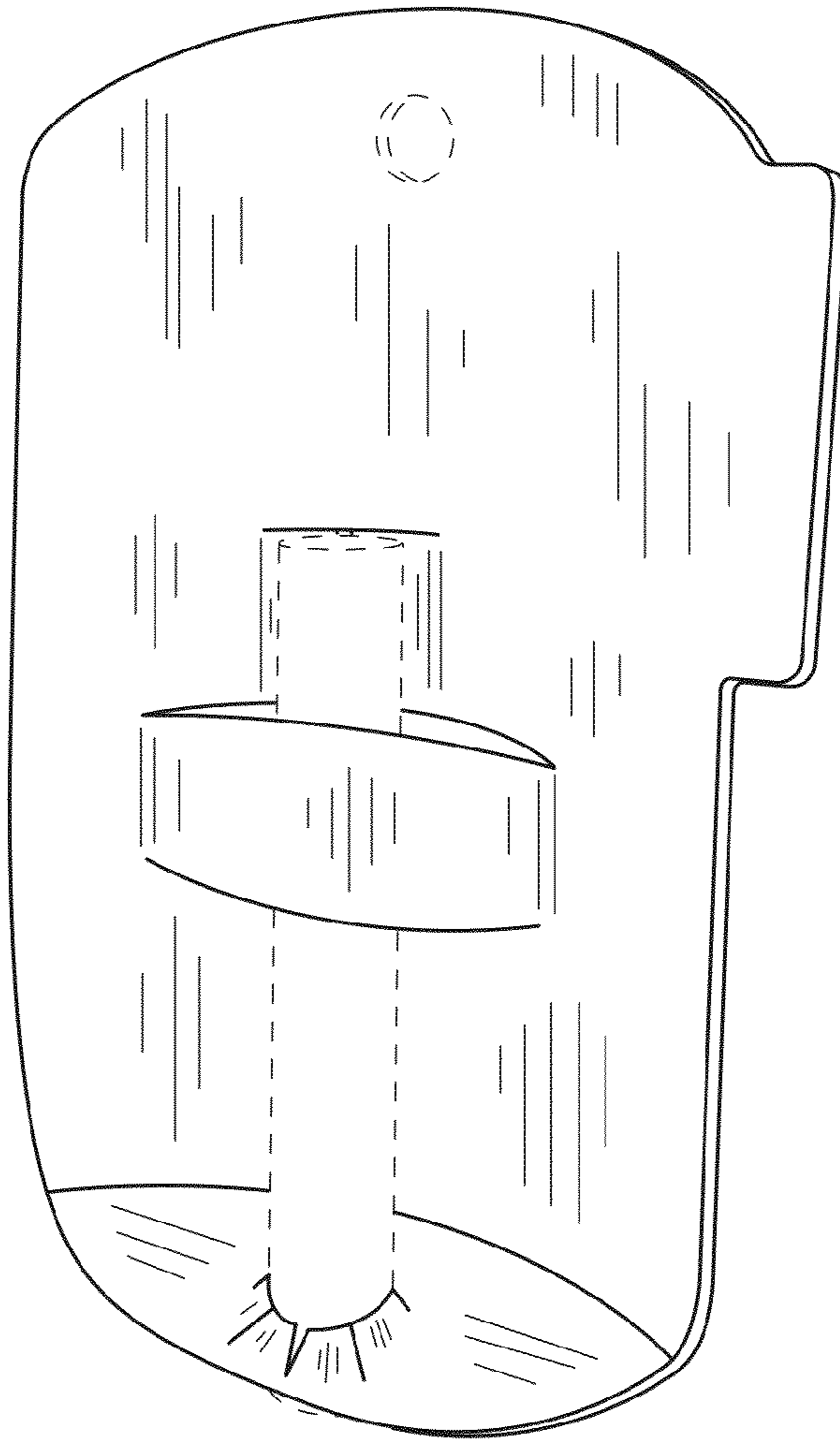


FIG.8

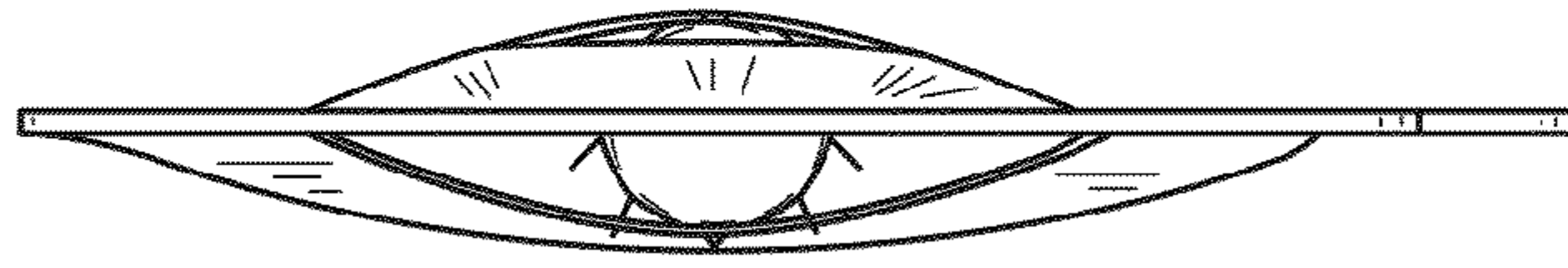


FIG. 9

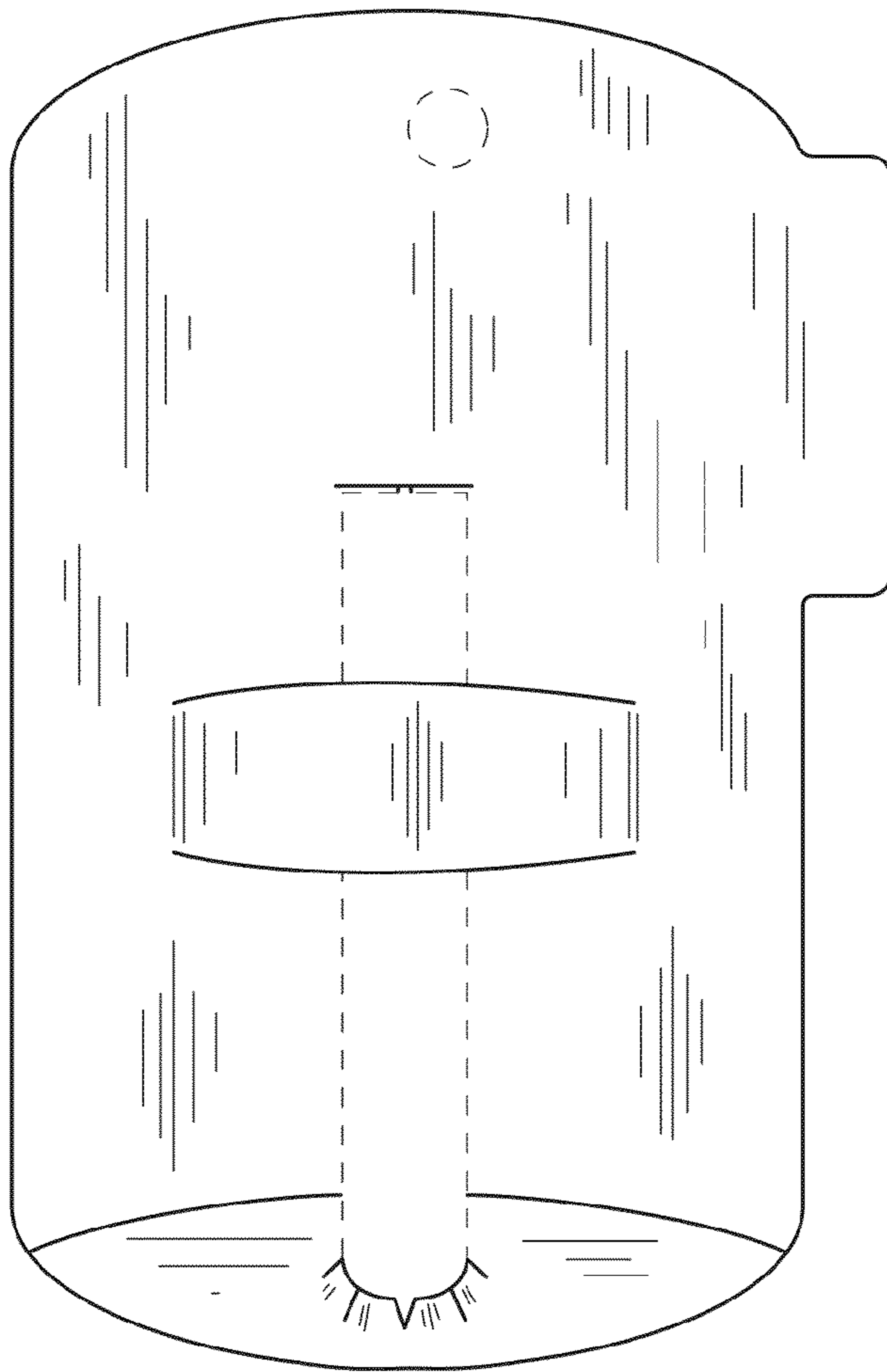


FIG. 10



FIG. 11

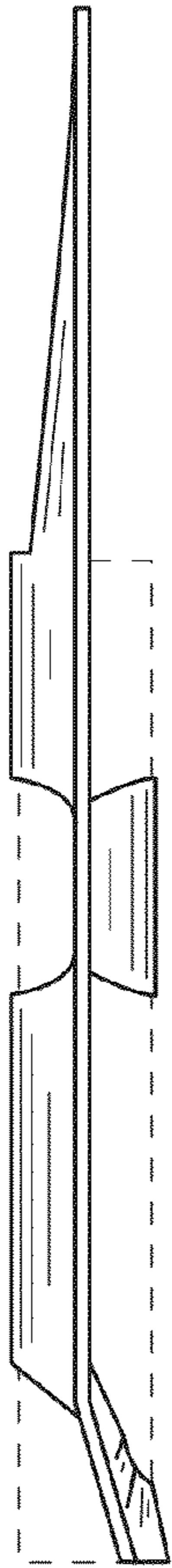


FIG. 12

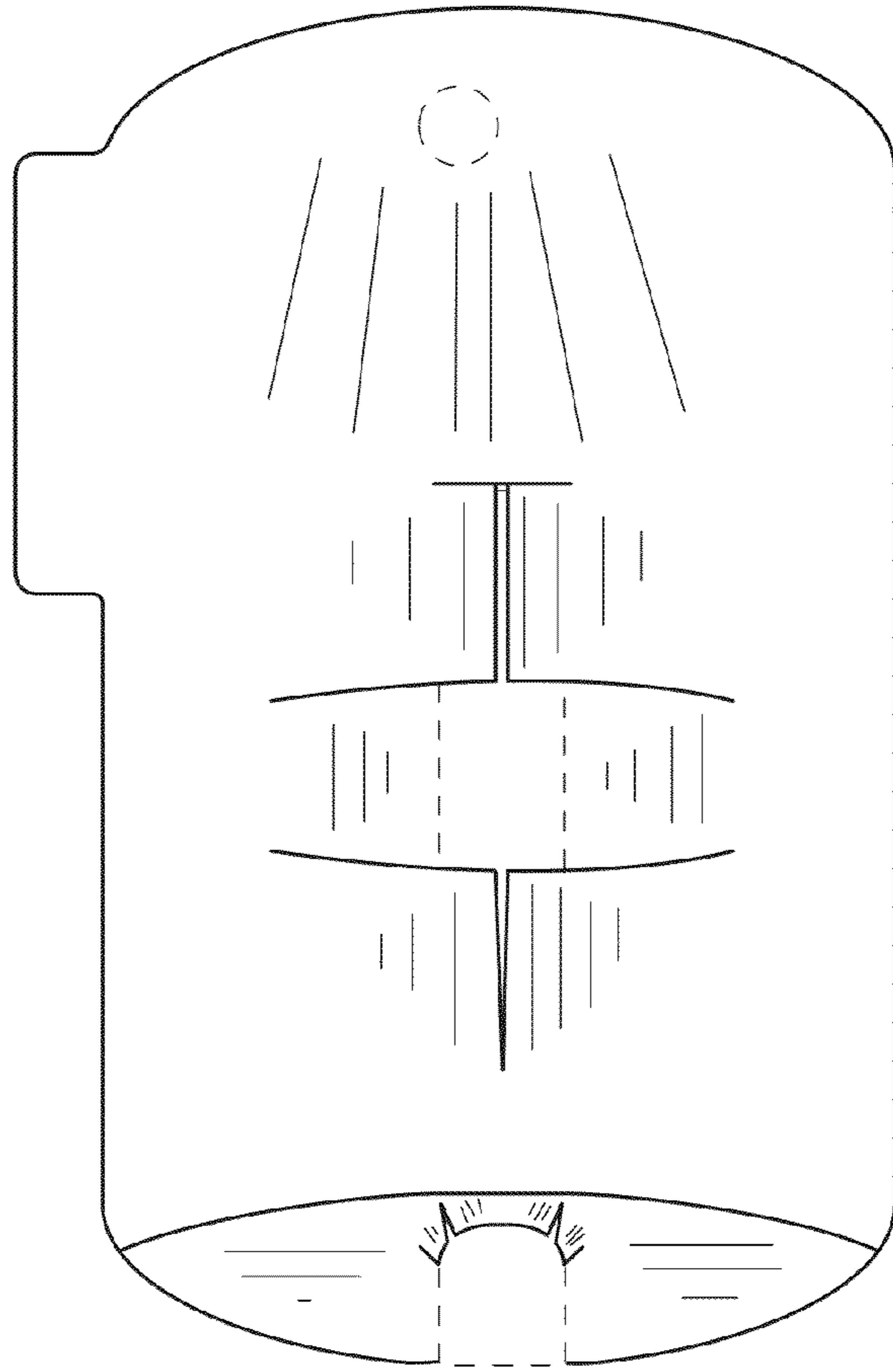


FIG. 13

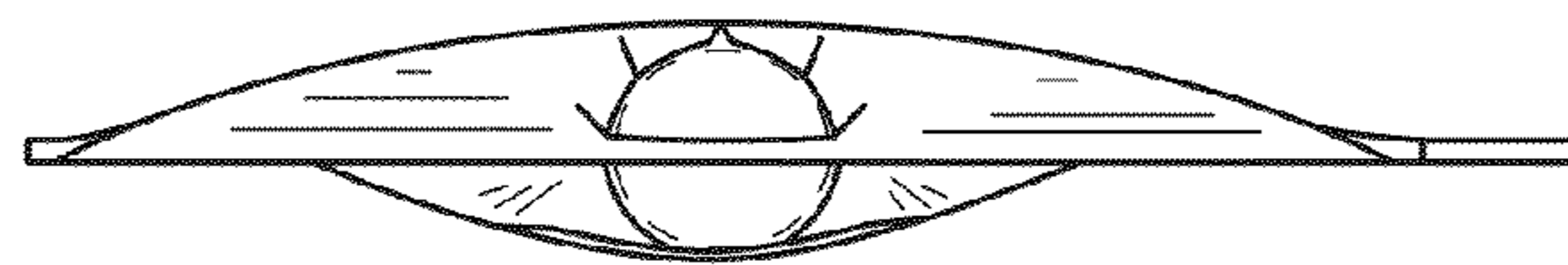


FIG. 14

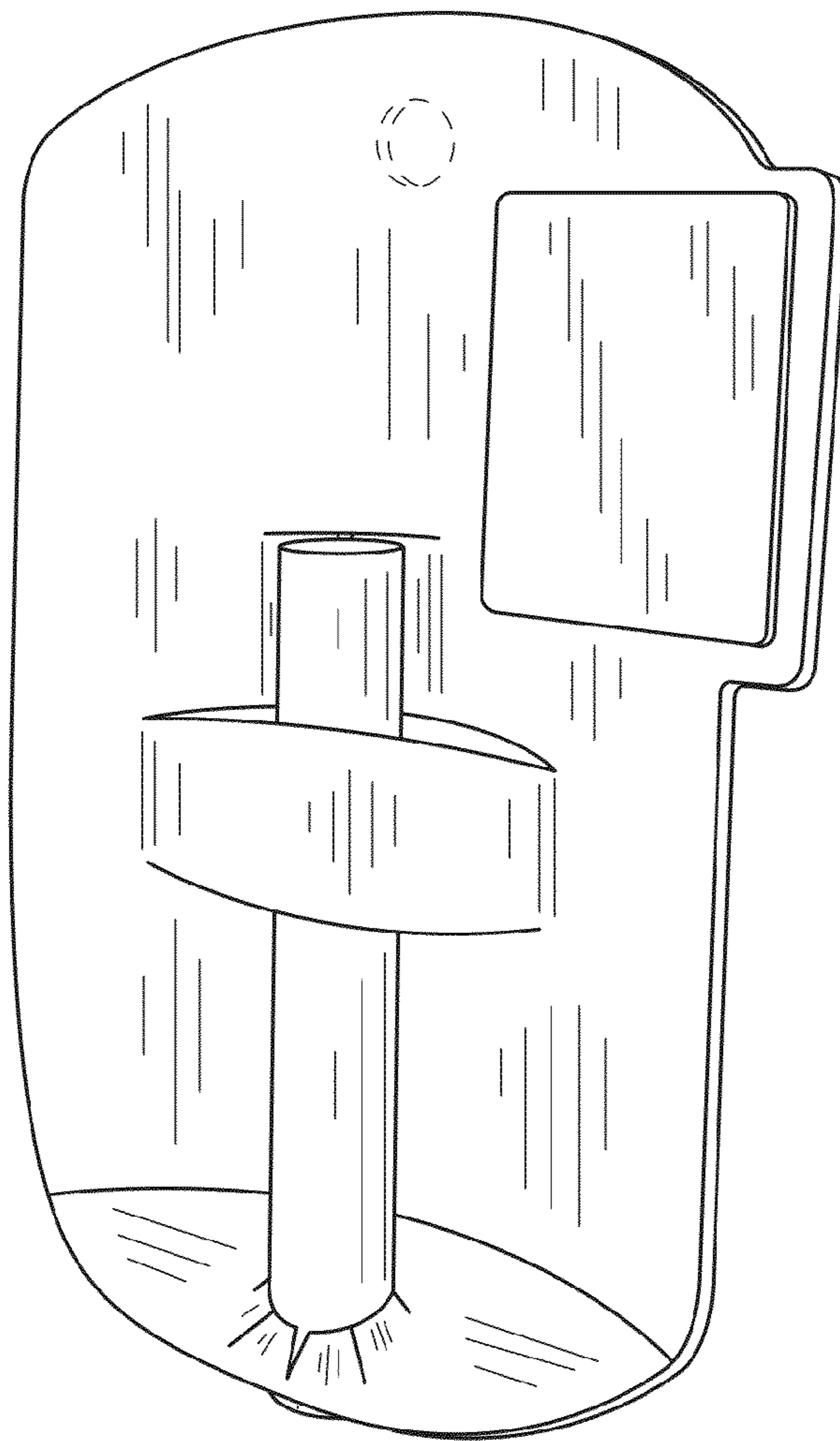


FIG.15

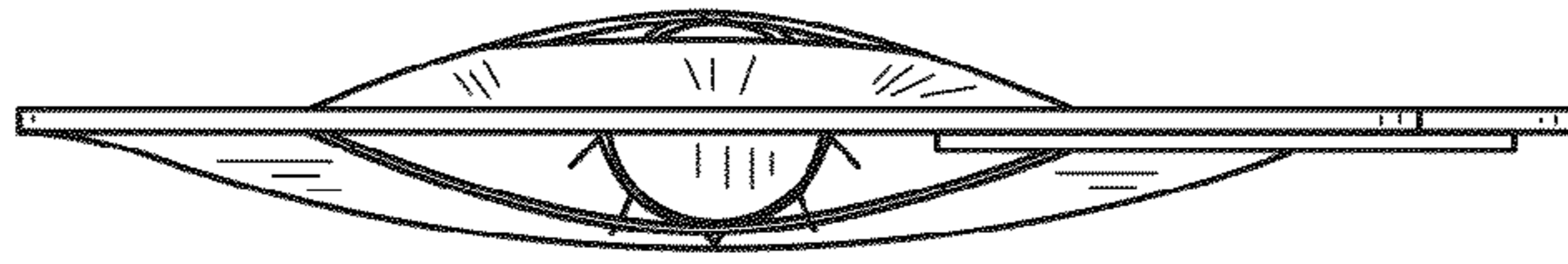


FIG. 16

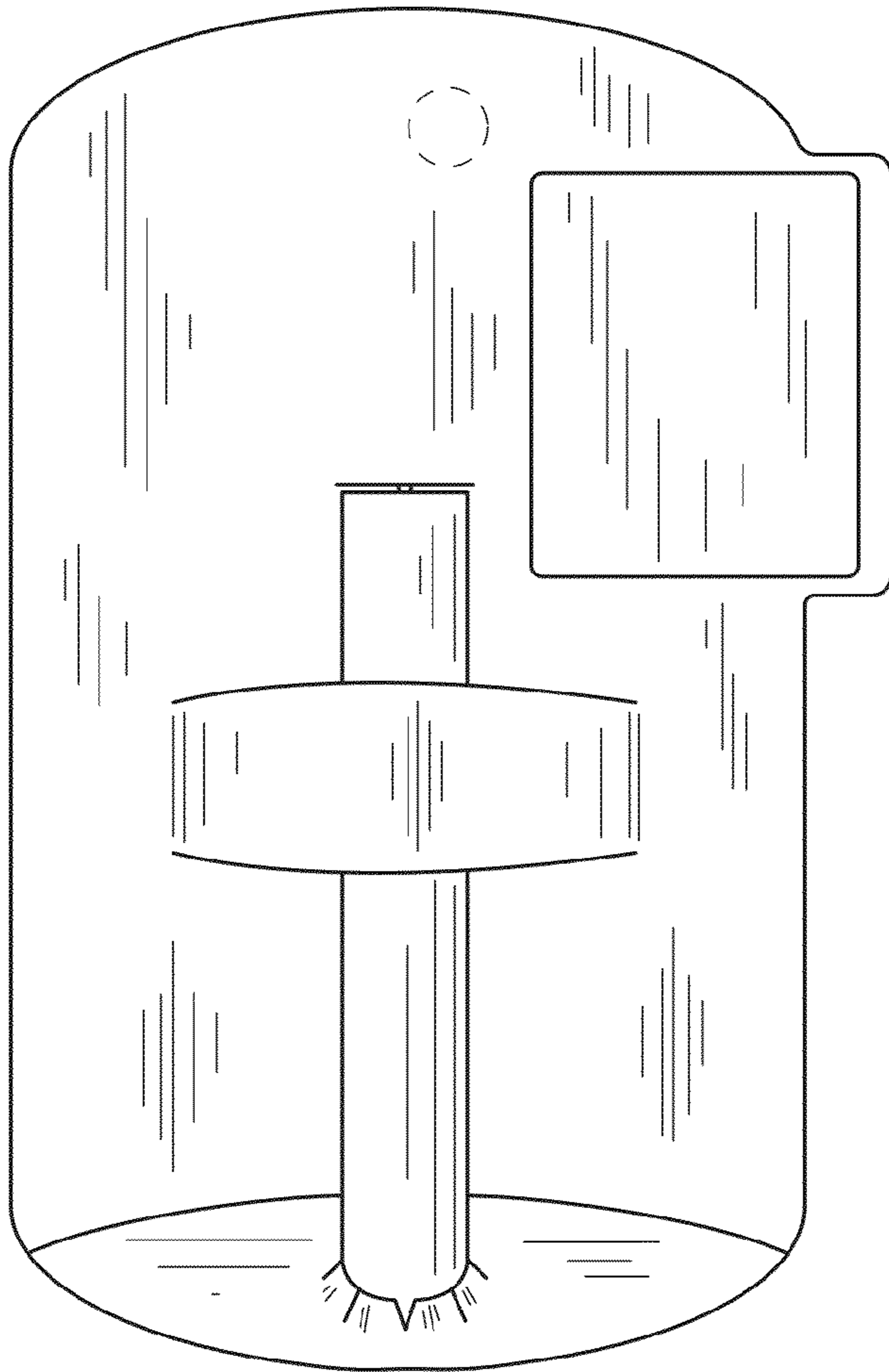


FIG. 17



FIG. 18

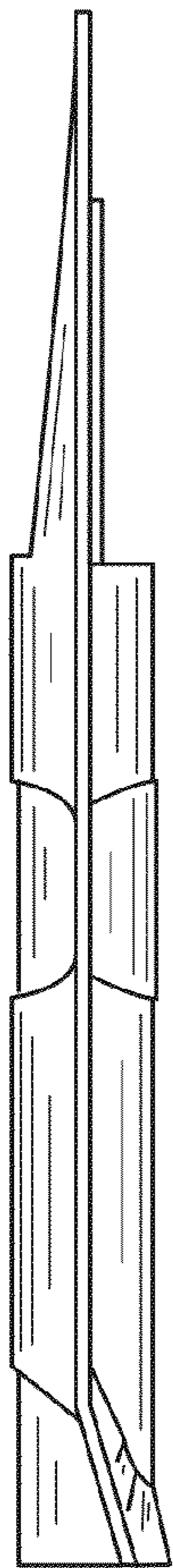


FIG. 19

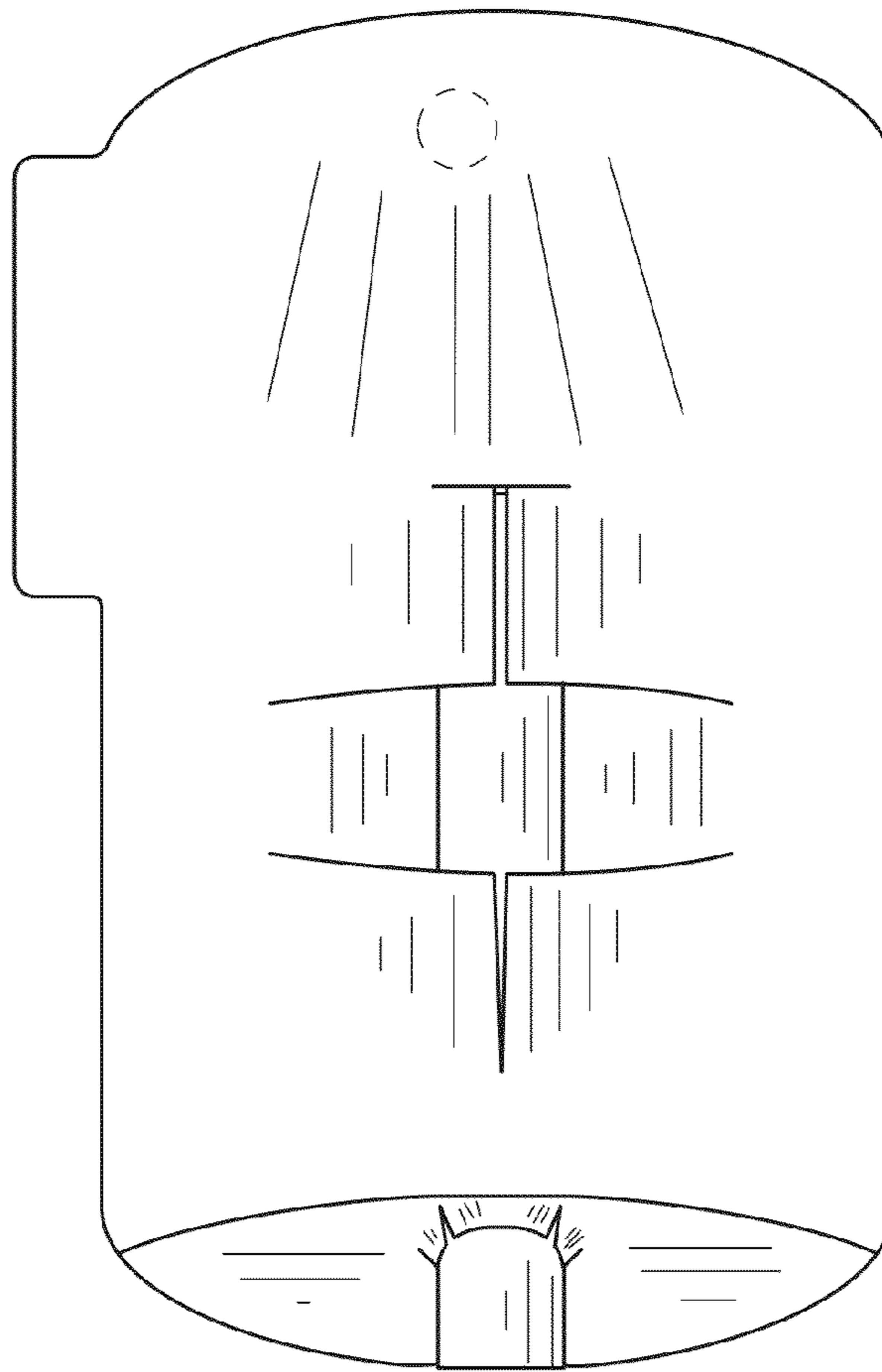


FIG. 20

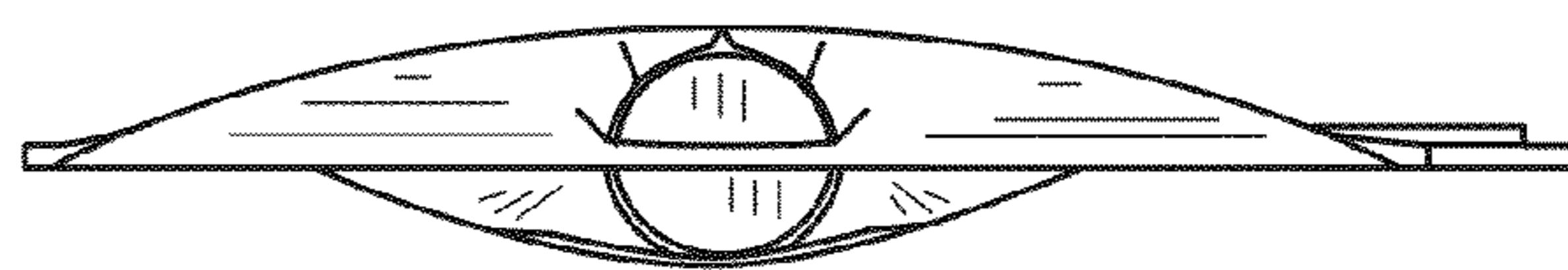


FIG. 21