



US00D711232S

(12) **United States Design Patent**  
**Henriksson**

(10) **Patent No.:** **US D711,232 S**  
(45) **Date of Patent:** **\*\* Aug. 19, 2014**

- (54) **SNUFF CONTAINER LID**
- (71) Applicant: **Nina Henriksson**, Stockholm (SE)
- (72) Inventor: **Nina Henriksson**, Stockholm (SE)
- (73) Assignee: **Swedish Match North Europe AB**, Stockholm (SE)
- (\*\*) Term: **14 Years**
- (21) Appl. No.: **29/445,568**
- (22) Filed: **Feb. 13, 2013**
- (51) **LOC (10) Cl.** ..... **09-01**
- (52) **U.S. Cl.**  
USPC ..... **D9/451**
- (58) **Field of Classification Search**  
USPC ..... D7/514-520, 613, 619.2, 623, 628,  
D7/392.1; D9/600, 667, 669, 500-504,  
D9/516, 529, 434-435, 441, 444-445,  
D9/451; 206/494, 457, 459.1, 459.5;  
215/230, 400  
See application file for complete search history.

D515,429 S \* 2/2006 Pace ..... D9/529  
D515,928 S \* 2/2006 Pace ..... D9/504  
D523,752 S \* 6/2006 Bried et al. .... D9/504

(Continued)

*Primary Examiner* — Sandra Morris  
(74) *Attorney, Agent, or Firm* — Haynes and Boone, LLP

(57) **CLAIM**  
The ornamental design for a snuff container lid, as shown and described.

**DESCRIPTION**

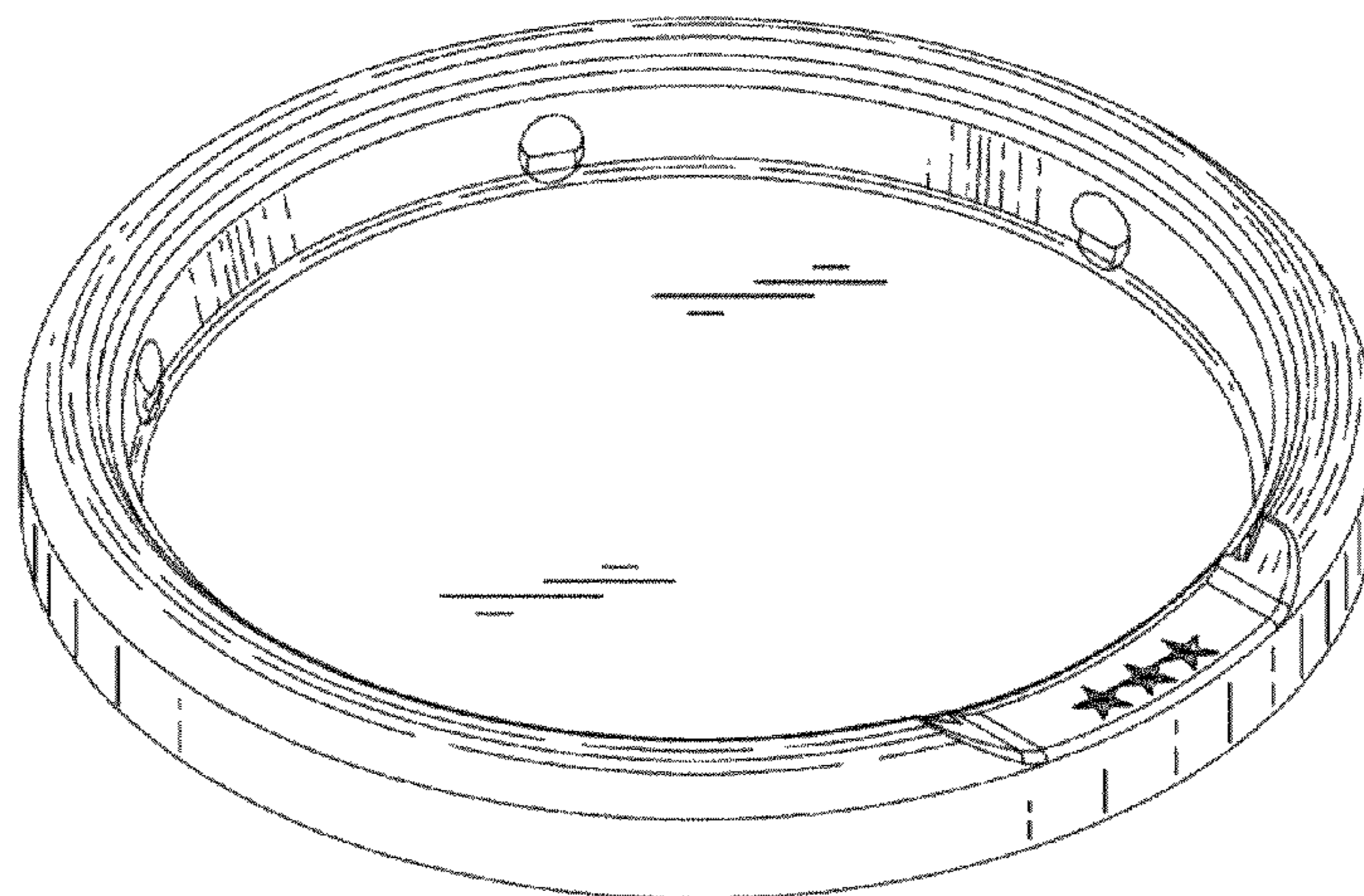
FIG. 1 is a perspective view of a first embodiment of a snuff container lid according to the new design;  
FIG. 2 is a plan view of the snuff container lid;  
FIG. 3 is a perspective view of the snuff container lid illustrated in the environment of a snuff container according to an embodiment;  
FIG. 4 is a perspective view of the snuff container lid illustrated in the environment of a snuff container according to an embodiment;  
FIG. 5 is a bottom perspective view of the snuff container lid illustrated in the environment of the snuff container lid according to an embodiment;  
FIG. 6 is a bottom perspective view of the snuff container lid illustrated in the environment of the snuff container lid according to an embodiment;  
FIG. 7 is a front view of the snuff container lid;  
FIG. 8 is a front view of the snuff container lid;  
FIG. 9 is a sectional view along the line 8 of FIG. 7 of the snuff container lid according to an embodiment;  
FIG. 10 is a side view of the snuff container lid;  
FIG. 11 is a rear side view of the snuff container lid;  
FIG. 12 is a bottom view of the snuff container lid according to an embodiment; and,  
FIG. 13 is a bottom view of the snuff container lid according to an embodiment.

(56) **References Cited**

U.S. PATENT DOCUMENTS

3,388,841	A	*	6/1968	McHardy et al.	.....	D9/451
D242,768	S	*	12/1976	Frohling	.....	D9/669
D314,912	S	*	2/1991	Rey Pascual	.....	D9/500
D332,403	S	*	1/1993	Johnson, III	.....	D9/451
D476,572	S	*	7/2003	Merritt	.....	D9/504
D494,064	S	*	8/2004	Hook	.....	D9/451
D494,474	S	*	8/2004	Houk et al.	.....	D9/504
D509,432	S	*	9/2005	Hierzer et al.	.....	D9/447
D510,524	S	*	10/2005	Houk et al.	.....	D9/503
D512,636	S	*	12/2005	Pace	.....	D9/504
D513,386	S	*	1/2006	Pace et al.	.....	D9/504
D514,936	S	*	2/2006	Pace et al.	.....	D9/504
D515,426	S	*	2/2006	Pace et al.	.....	D9/504

**1 Claim, 7 Drawing Sheets**



(56)

**References Cited**

U.S. PATENT DOCUMENTS

D541,176 S \* 4/2007 Bried ..... D9/504  
D581,809 S \* 12/2008 Wichowski ..... D9/504  
D592,956 S \* 5/2009 Thiellier ..... D9/504  
D603,261 S \* 11/2009 Arnell et al. .... D9/453

D644,118 S \* 8/2011 Giles ..... D9/667  
D644,119 S \* 8/2011 Giles ..... D9/667  
D651,519 S \* 1/2012 Gibson et al. .... D9/529  
D669,953 S \* 10/2012 Gold ..... D21/796  
D677,568 S \* 3/2013 Sina ..... D9/451

\* cited by examiner

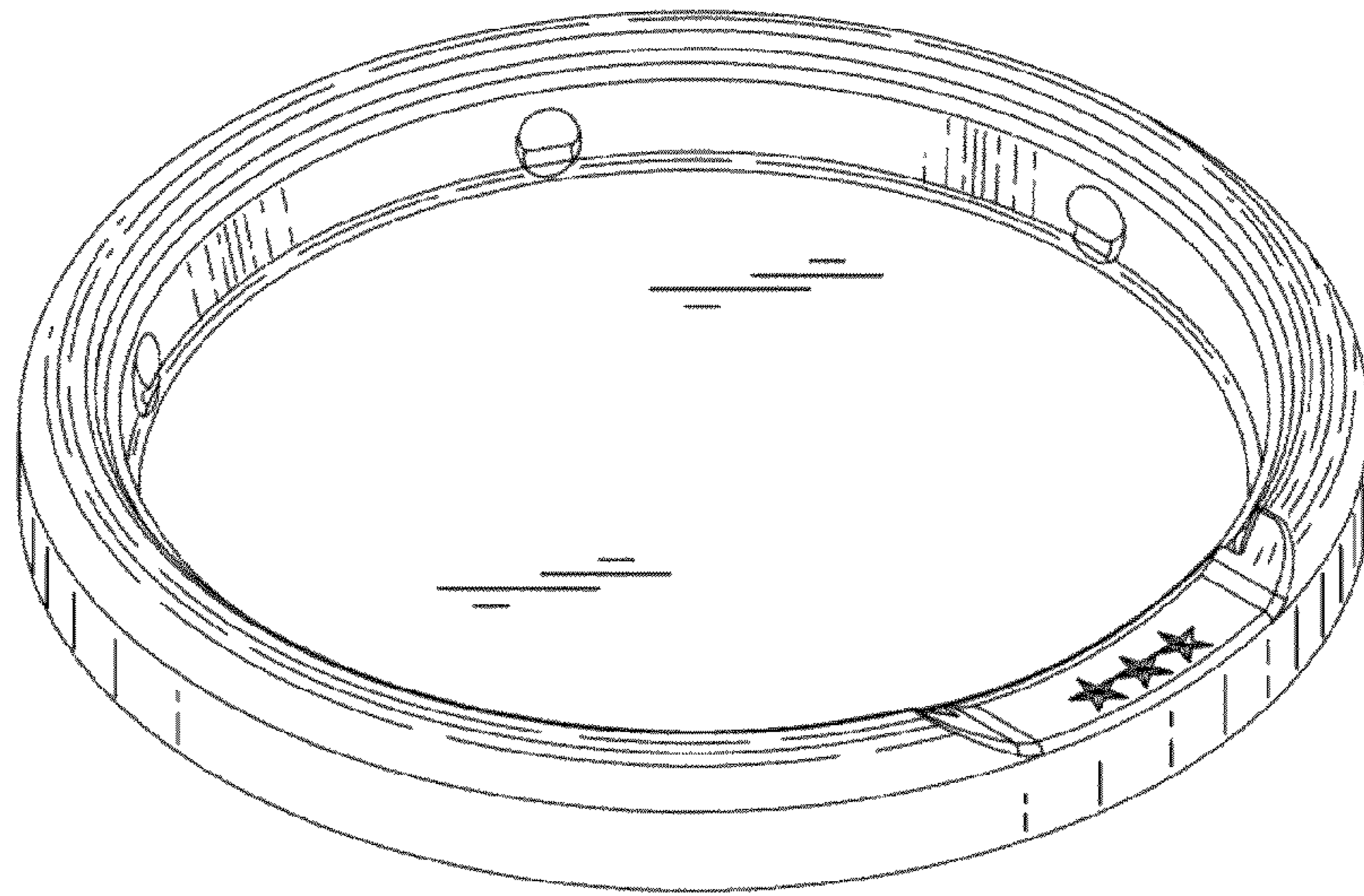


FIG. 1

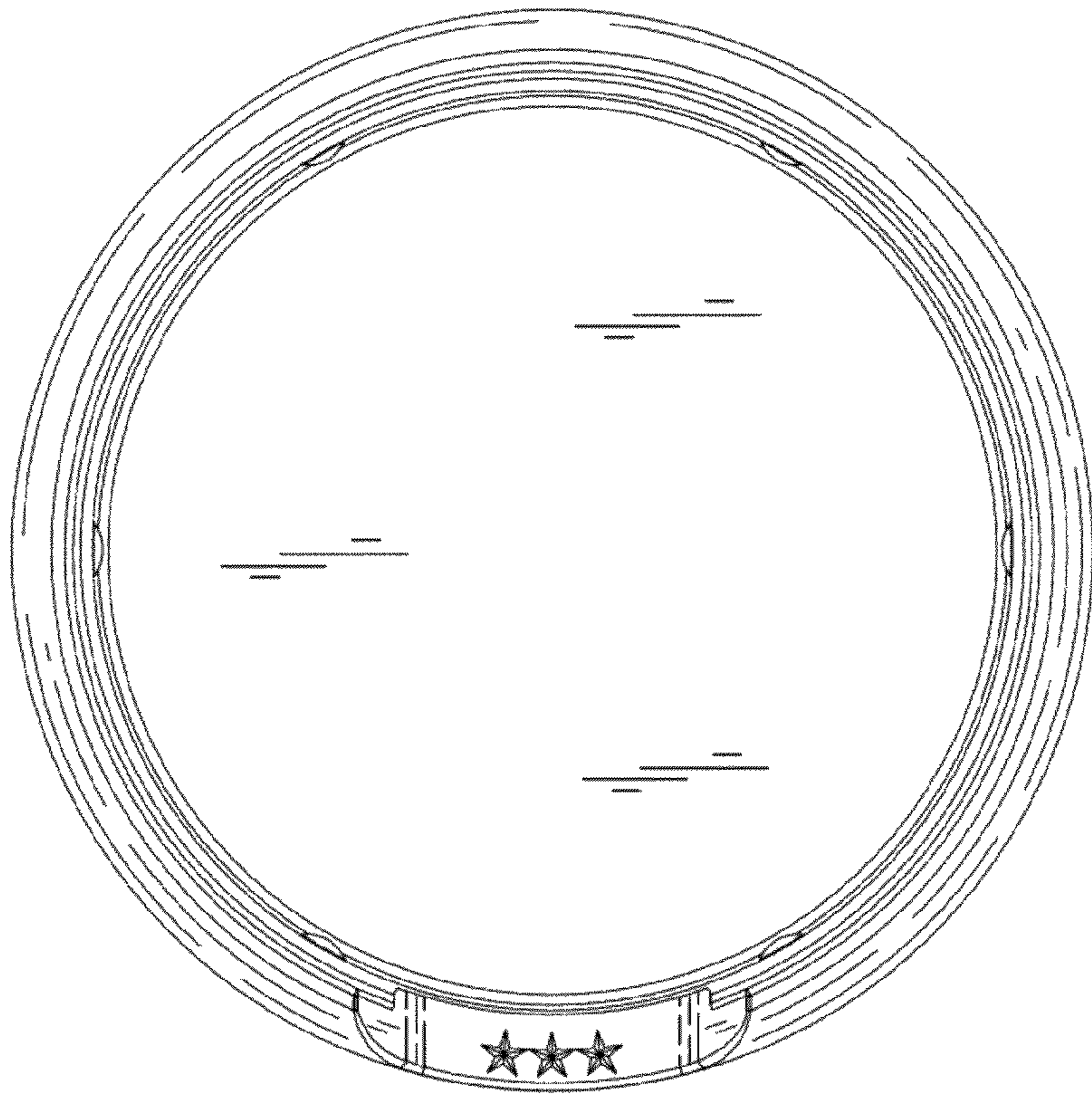


FIG. 2

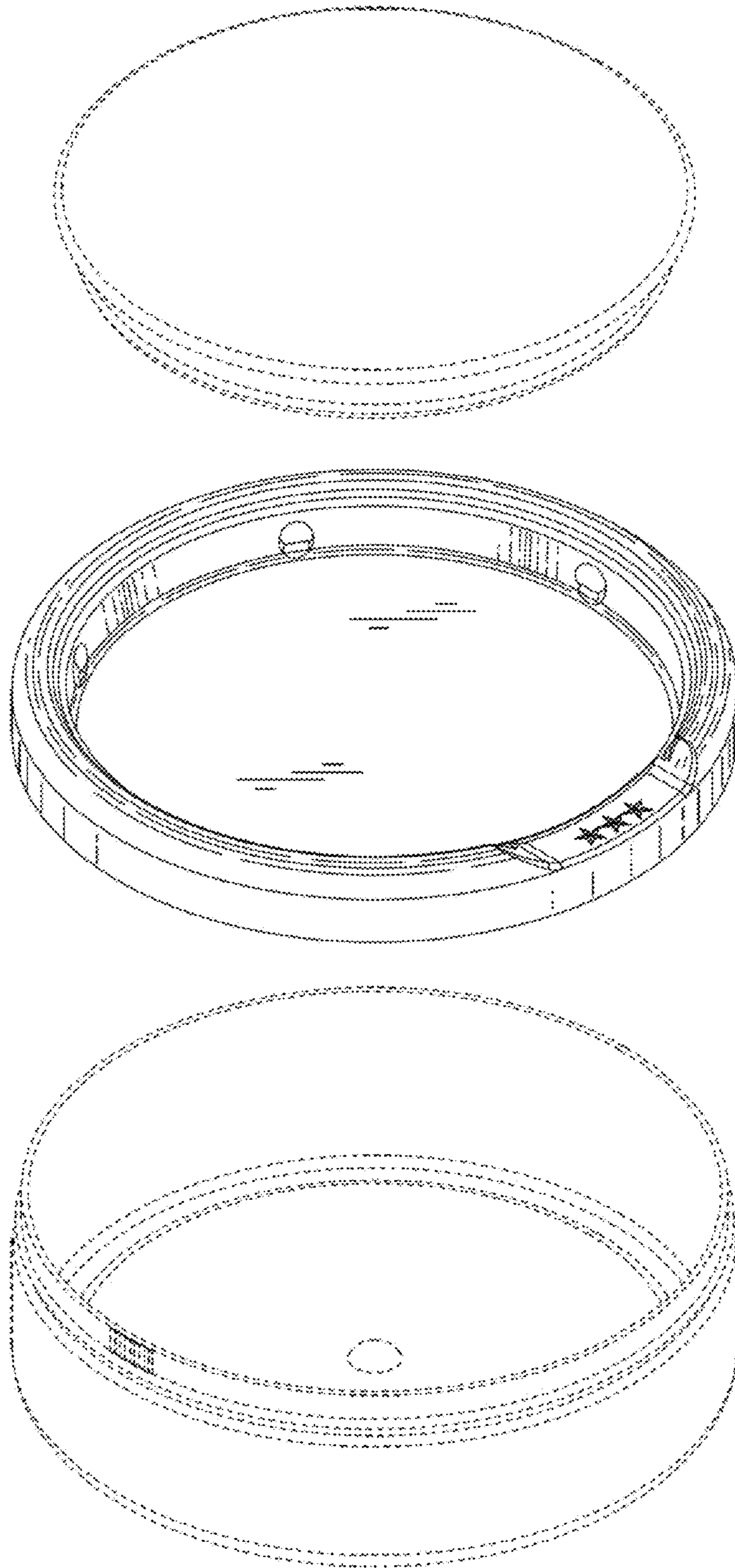


FIG. 3

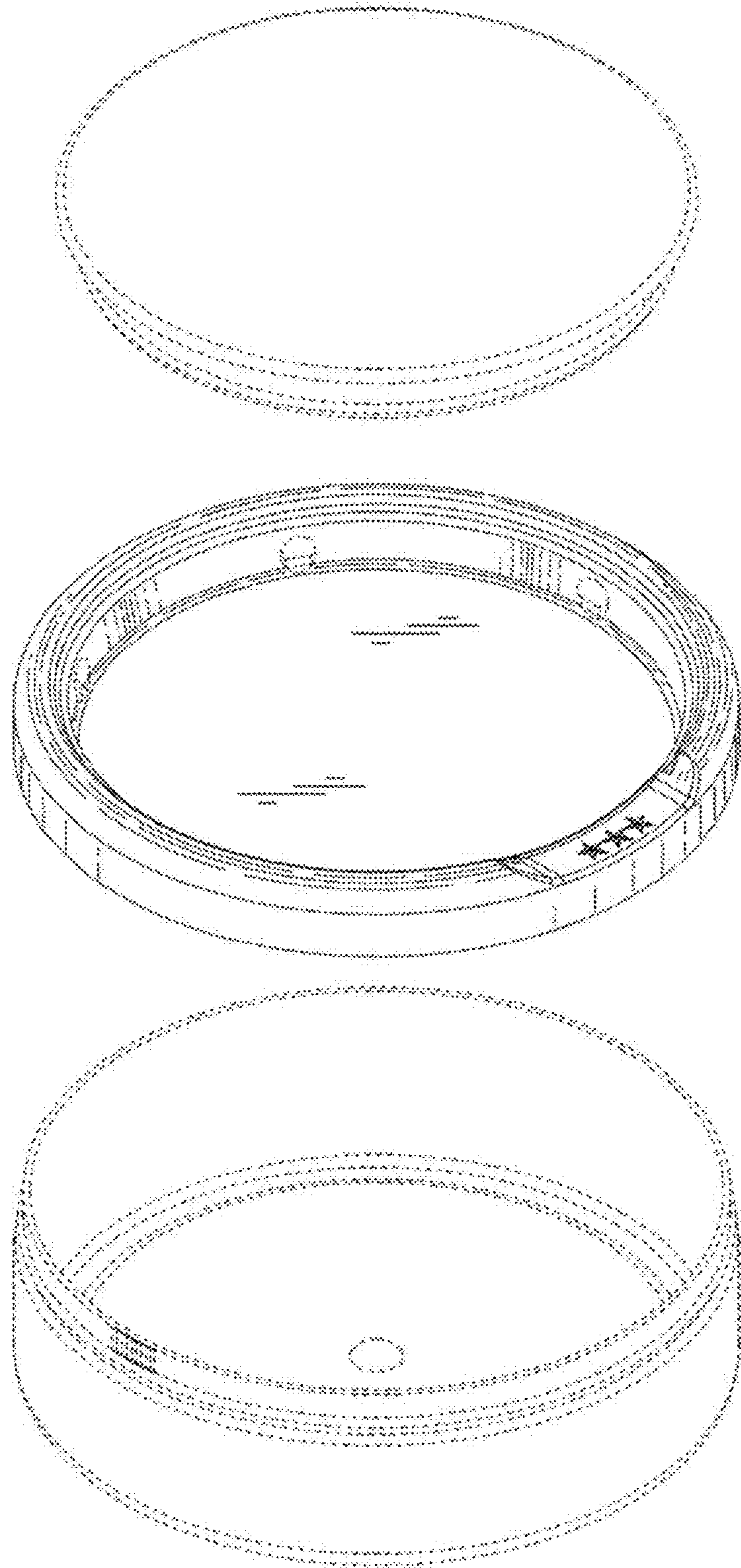


FIG. 4

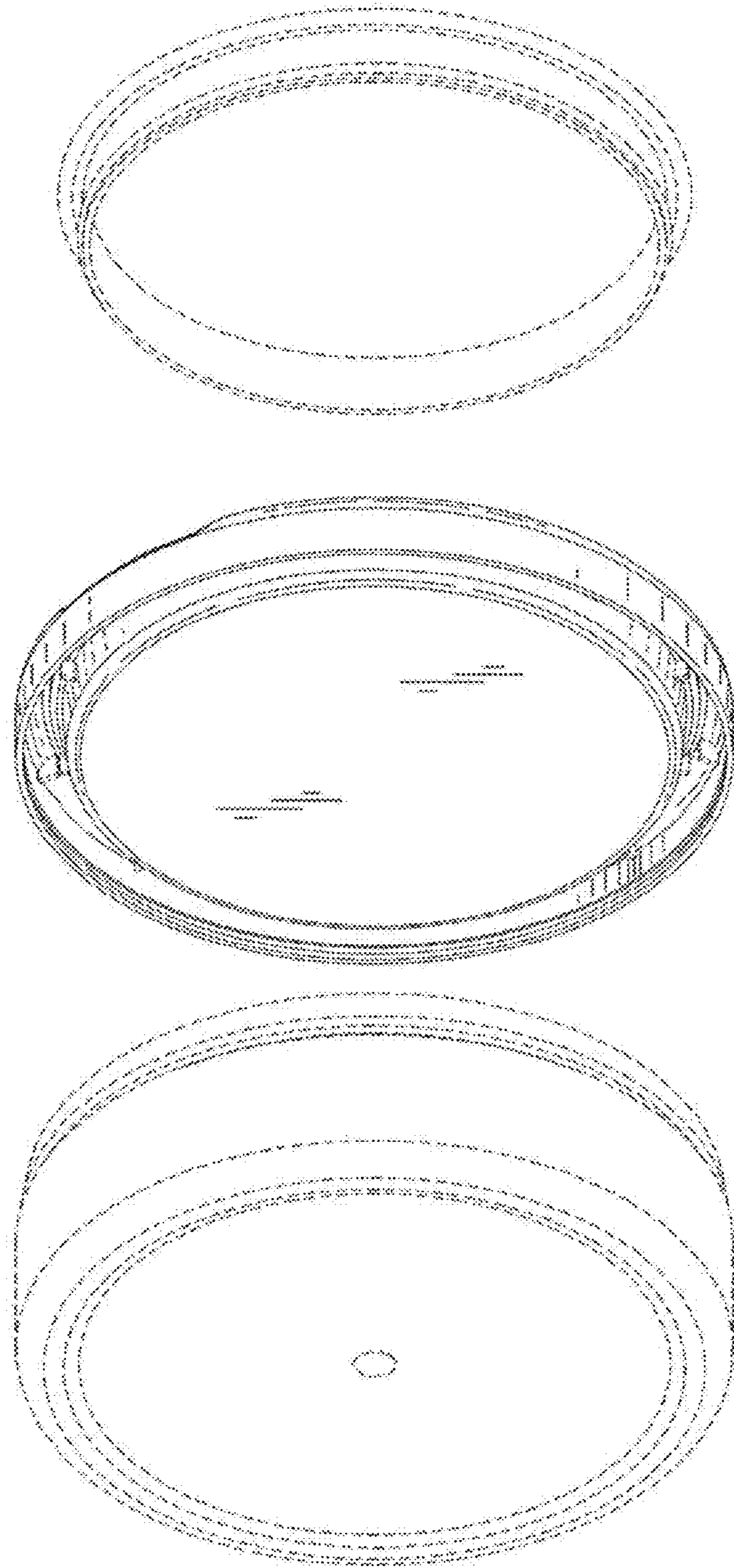


FIG. 5

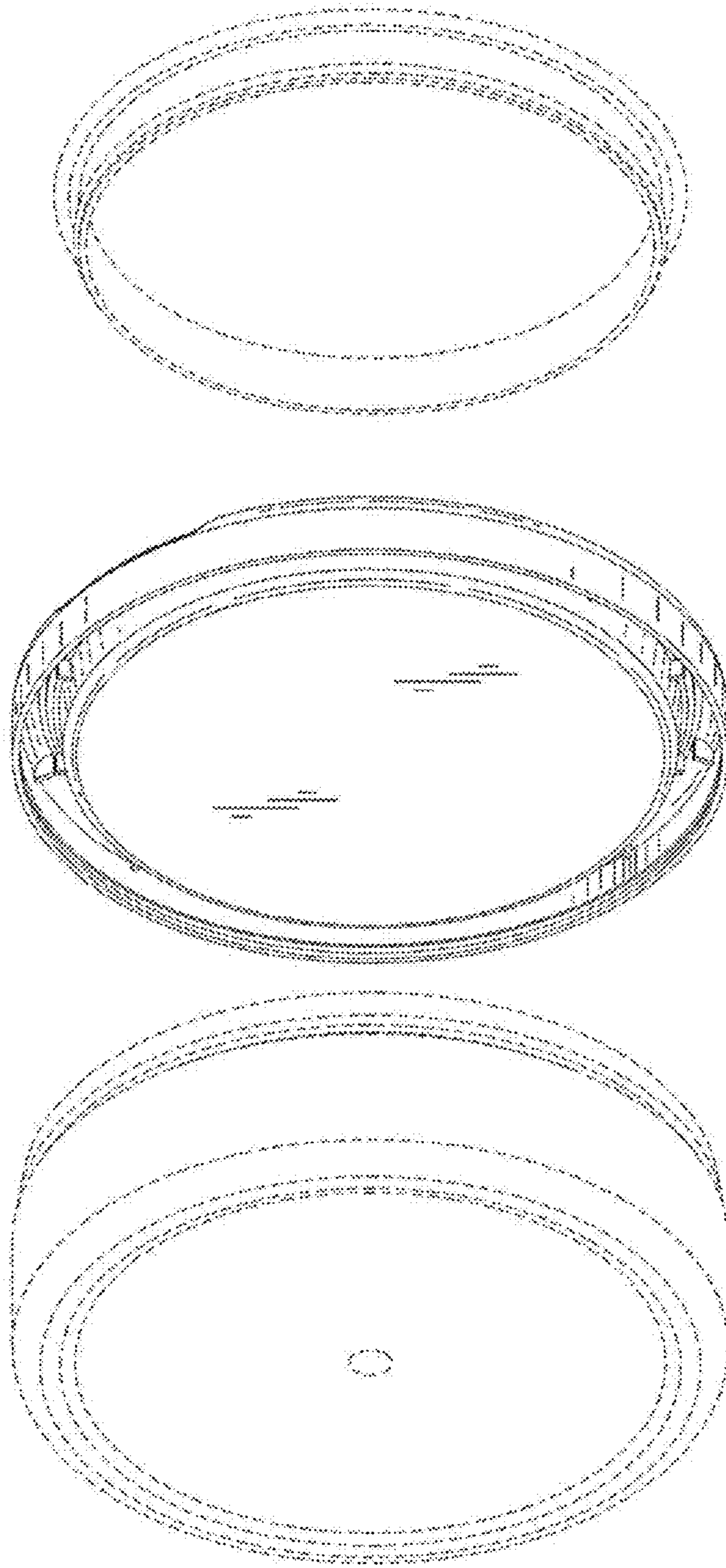


FIG. 6

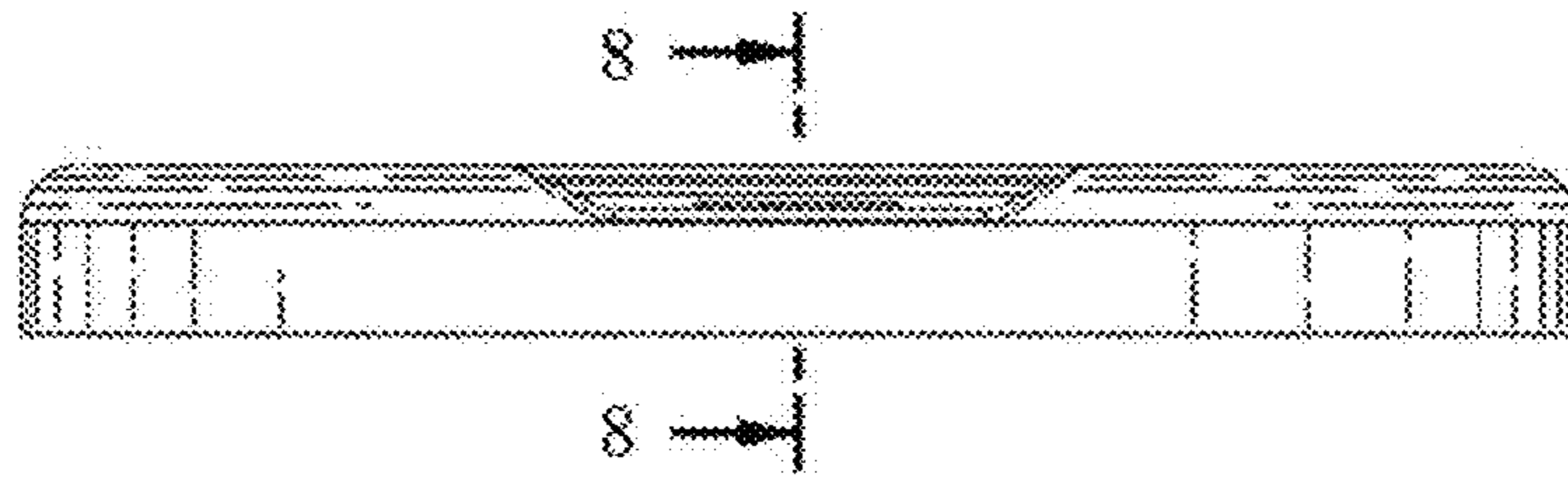


FIG. 7



FIG. 8



FIG. 9

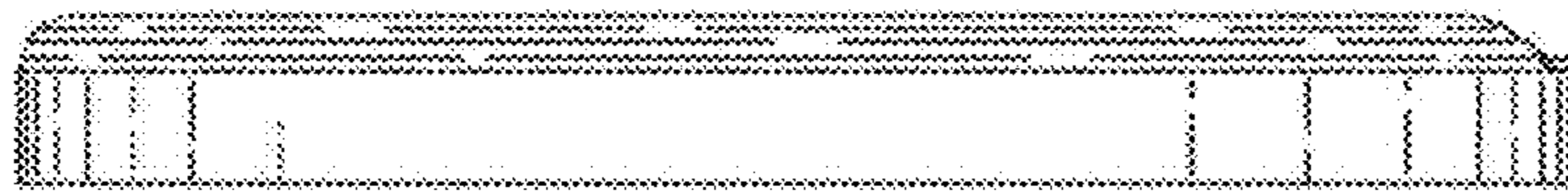


FIG. 10

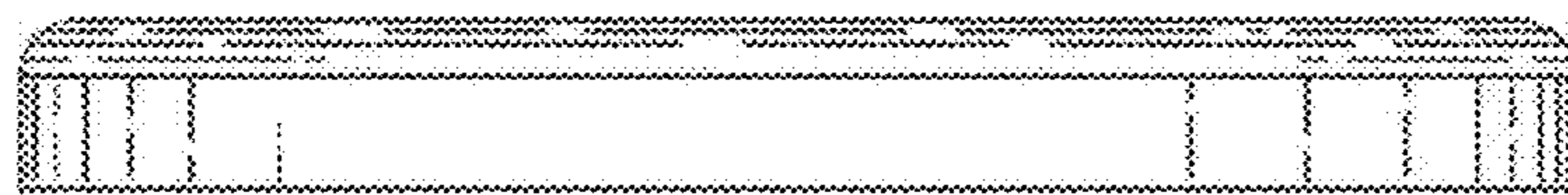


FIG. 11



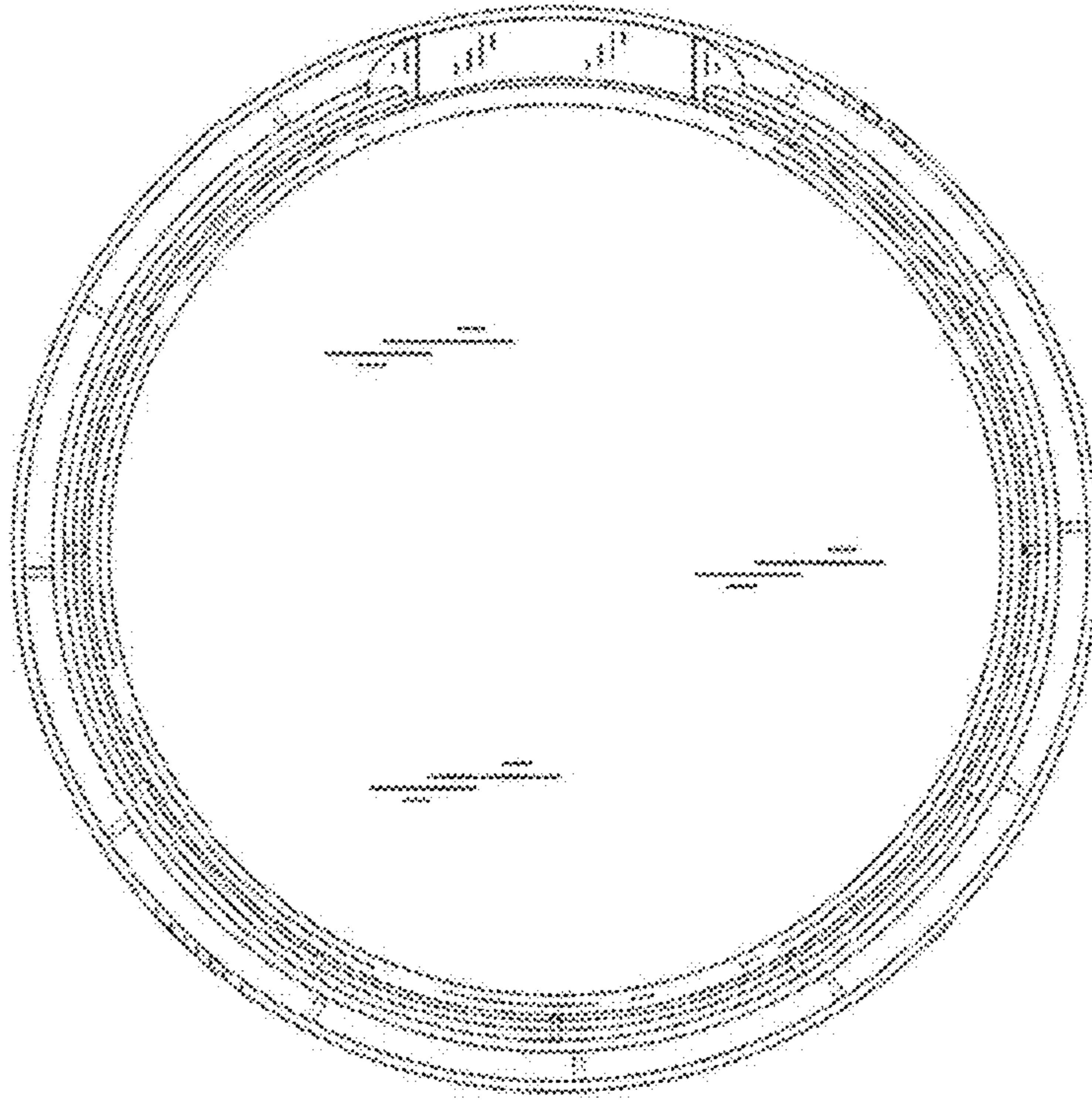


FIG. 12

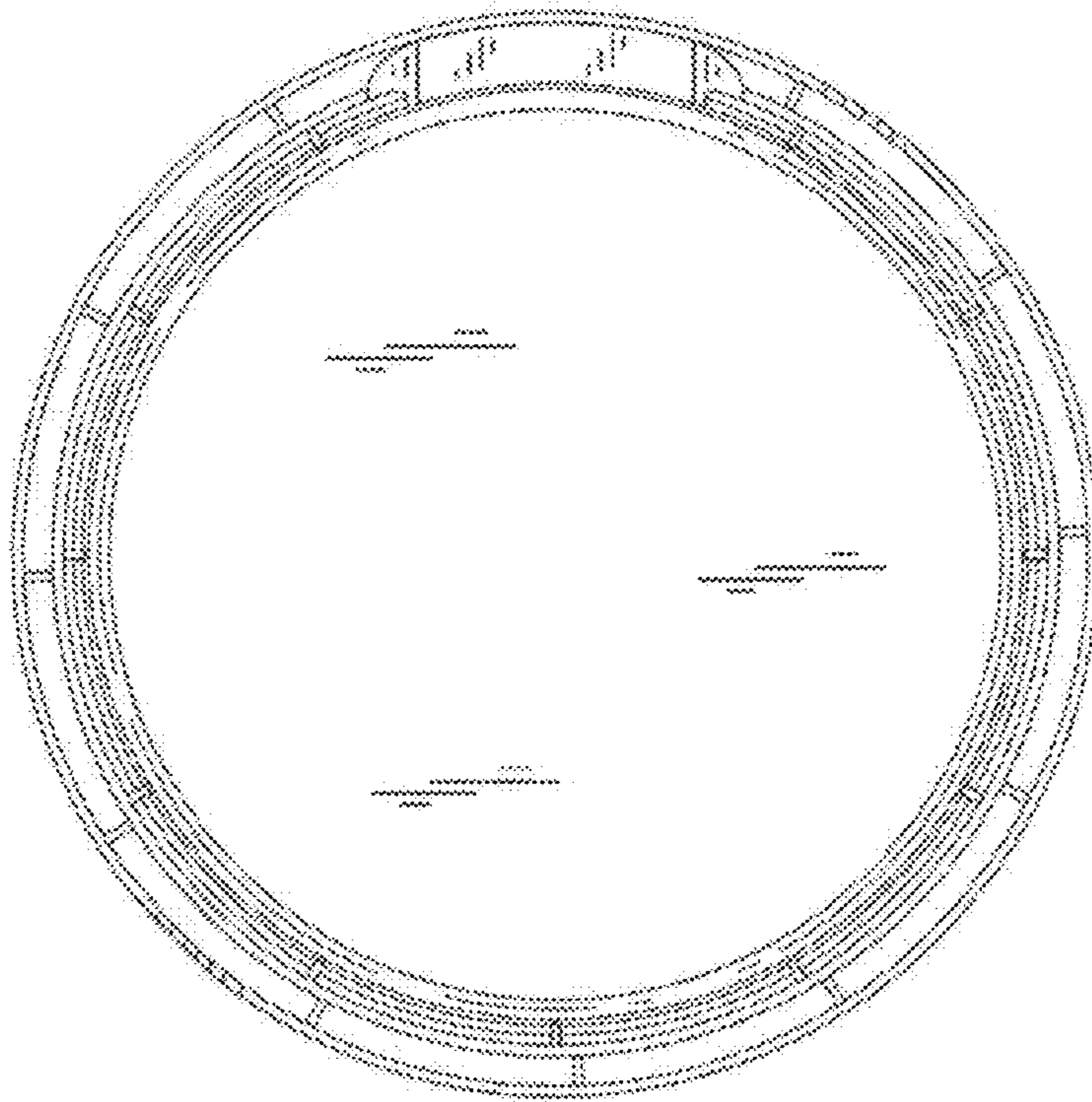


FIG. 13