



US00D711231S

(12) **United States Design Patent**
Pun

(10) **Patent No.:** **US D711,231 S**

(45) **Date of Patent:** **** Aug. 19, 2014**

(54) **FLIP-TOP CAP**

(71) Applicant: **Plasticum Group B.V.**, Tilburg (NL)

(72) Inventor: **Shi Ming Pun**, Arnhem (NL)

(73) Assignee: **Plasticum Group B.V.**, Tilburg (NL)

(**) Term: **14 Years**

(21) Appl. No.: **29/437,391**

(22) Filed: **Nov. 15, 2012**

(30) **Foreign Application Priority Data**

May 15, 2012 (EM) 002041863-0004

(51) **LOC (10) Cl.** **09-07**

(52) **U.S. Cl.**
USPC **D9/449**

(58) **Field of Classification Search**
CPC B65D 47/08
USPC D9/434, 435, 439, 440, 443, 446, 447,
D9/449, 453, 454, 417; D7/396.2, 392.1;
215/235, 236, 306; 220/254.2-254.5,
220/259.2, 263, 283, 715, 837; 222/212,
222/484, 556

See application file for complete search history.

(56) **References Cited**

U.S. PATENT DOCUMENTS

D317,869	S	*	7/1991	Kipperman et al.	D9/446
D336,852	S	*	6/1993	Pritchard	D9/447
D363,222	S	*	10/1995	Lay	D9/447
6,321,923	B1	*	11/2001	Wood	215/235
6,866,164	B2	*	3/2005	Branson et al.	222/153.14
D585,739	S	*	2/2009	Dombrowski et al.	D9/449
D608,196	S	*	1/2010	Beilke	D9/449
D625,189	S	*	10/2010	Dias	D9/449
D641,627	S	*	7/2011	Rosenauer	D9/449
D666,095	S	*	8/2012	Blachford et al.	D9/449
D672,654	S	*	12/2012	Jackel	D9/449
D681,458	S	*	5/2013	Santarelli	D9/449
2005/0133475	A1	*	6/2005	Goto et al.	215/237

* cited by examiner

Primary Examiner — Robert M Spear

(74) *Attorney, Agent, or Firm* — Schroeder Law PC

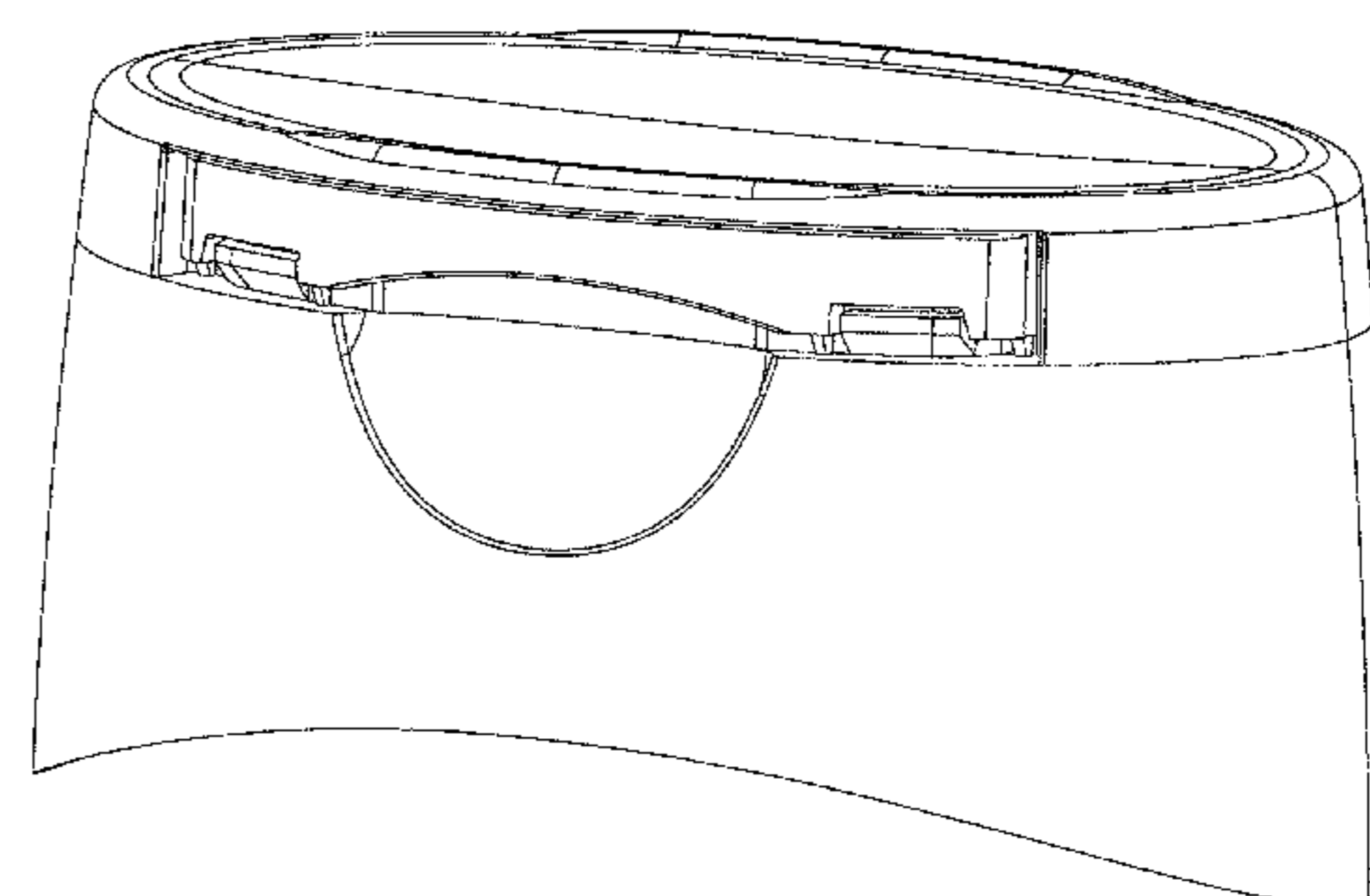
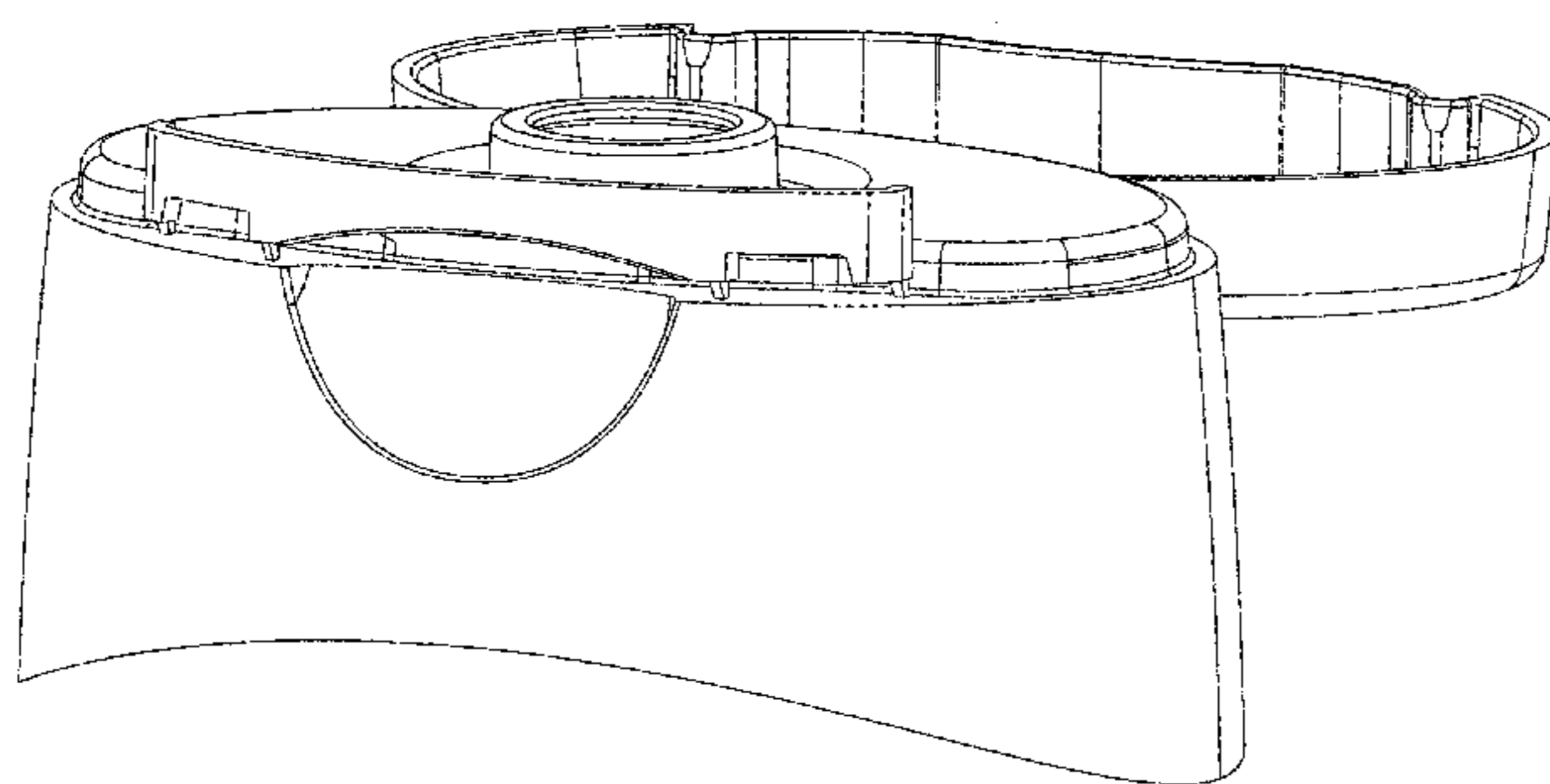
(57) **CLAIM**

The ornamental design for a flip-top cap, as shown and described.

DESCRIPTION

FIG. 1 is a perspective view of a flip-top cap incorporating my new design, shown in an open position;
FIG. 2 is a top view thereof;
FIG. 3 is a bottom view thereof;
FIG. 4 is a side elevation view thereof;
FIG. 5 is a perspective view of the flip-top cap incorporating my new design, shown in the closed position;
FIG. 6 is a front elevation view thereof; and,
FIG. 7 is a rear elevation view thereof.

1 Claim, 7 Drawing Sheets



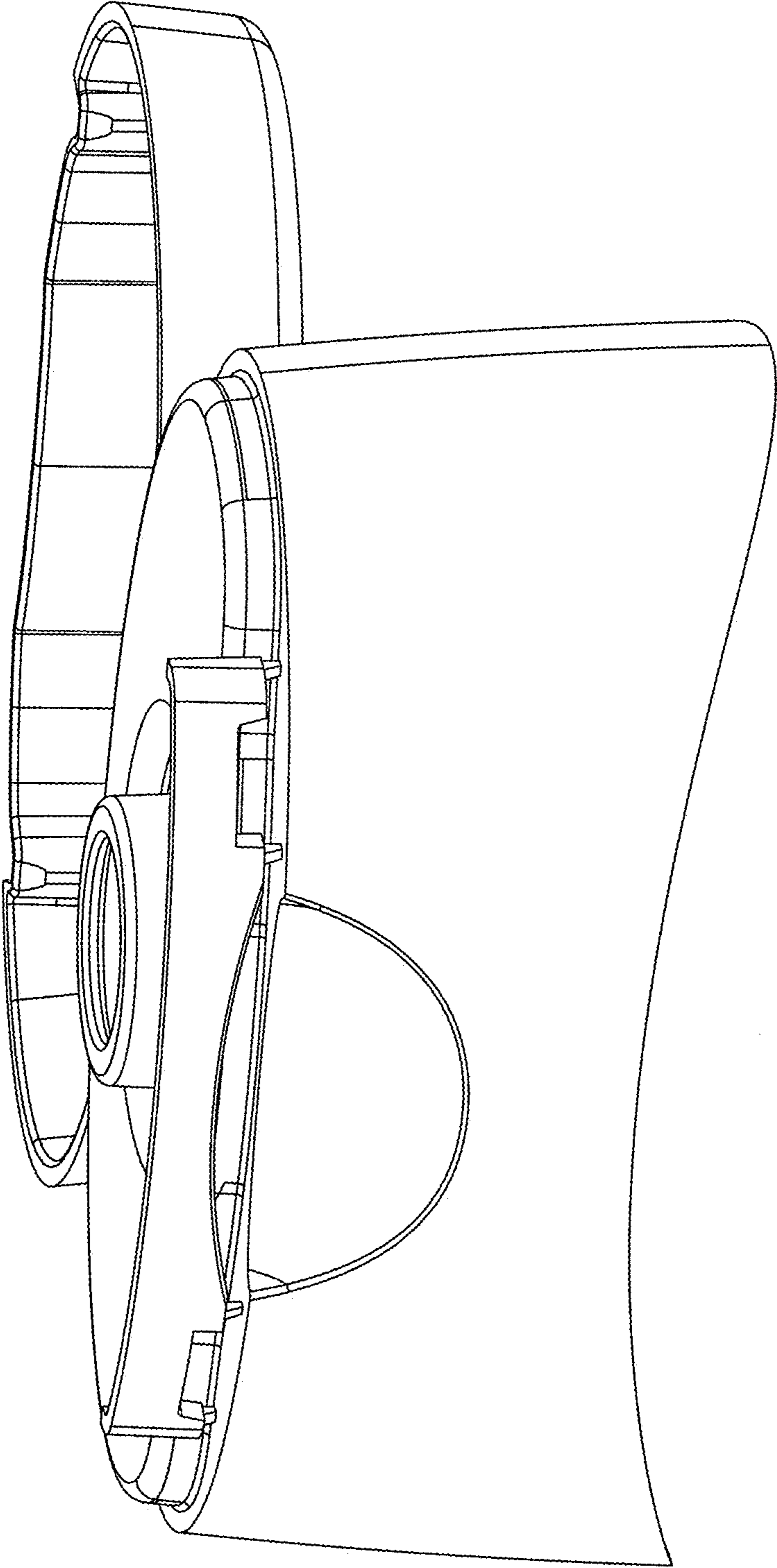


FIG.1

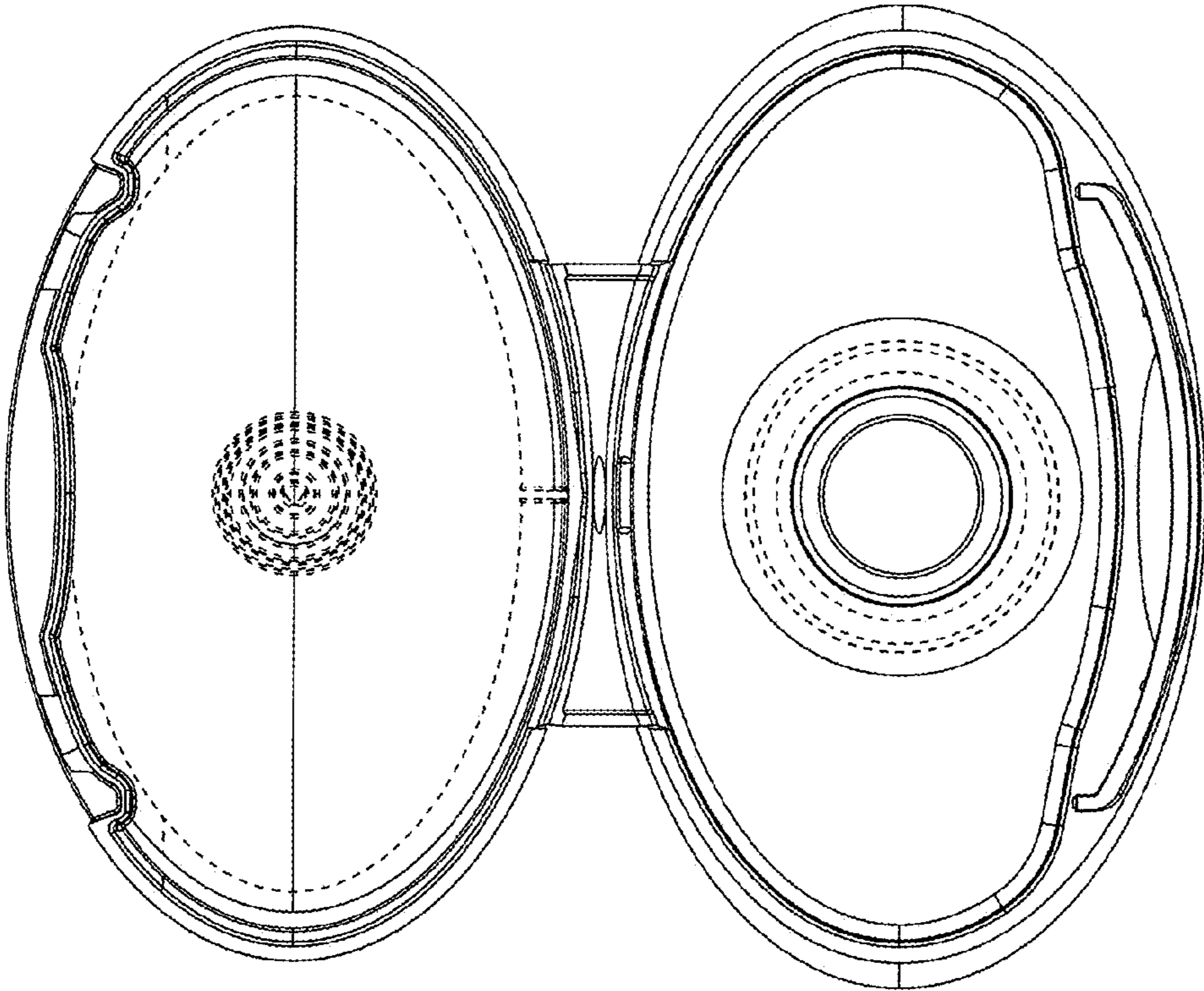


FIG. 2

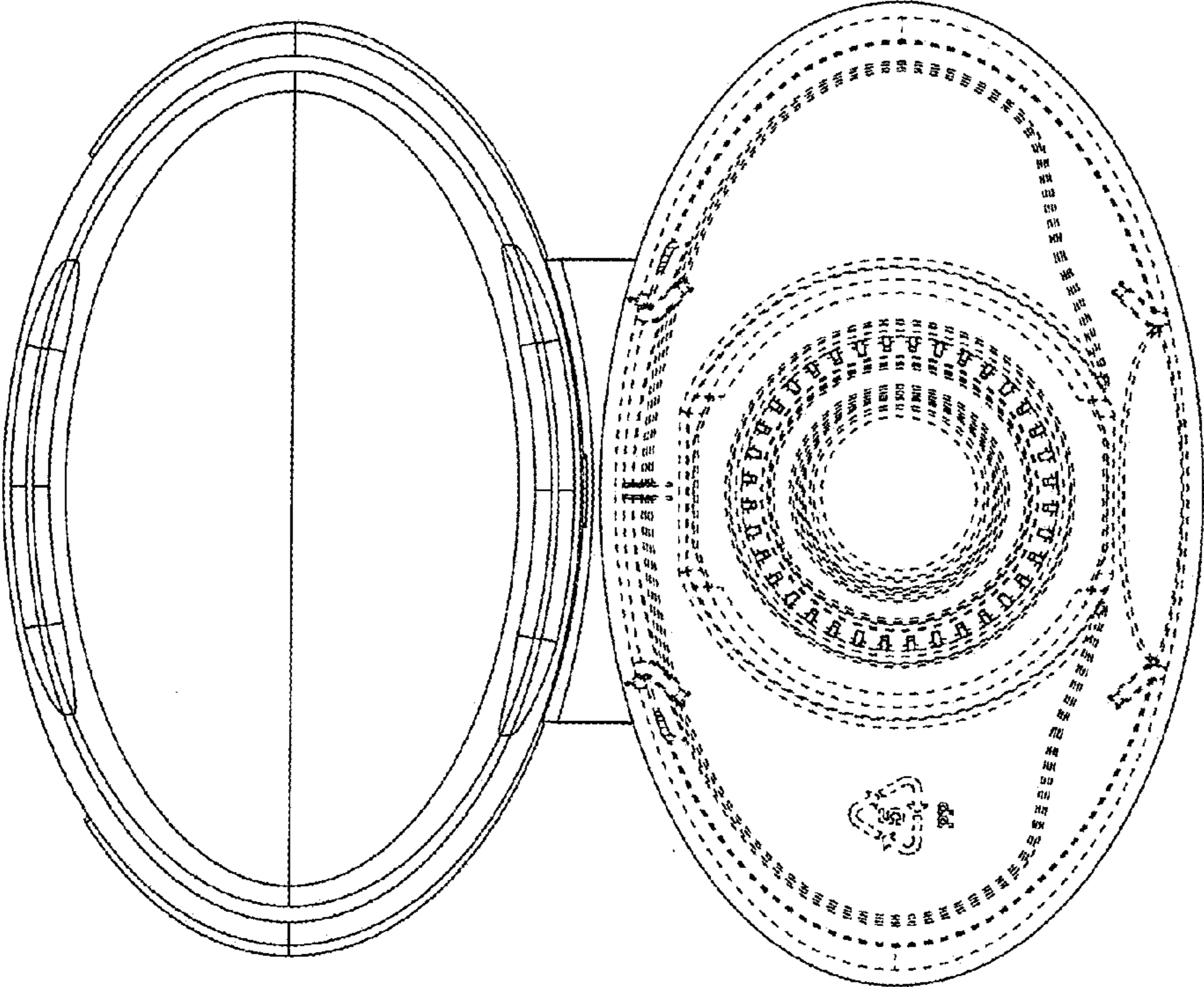


FIG. 3

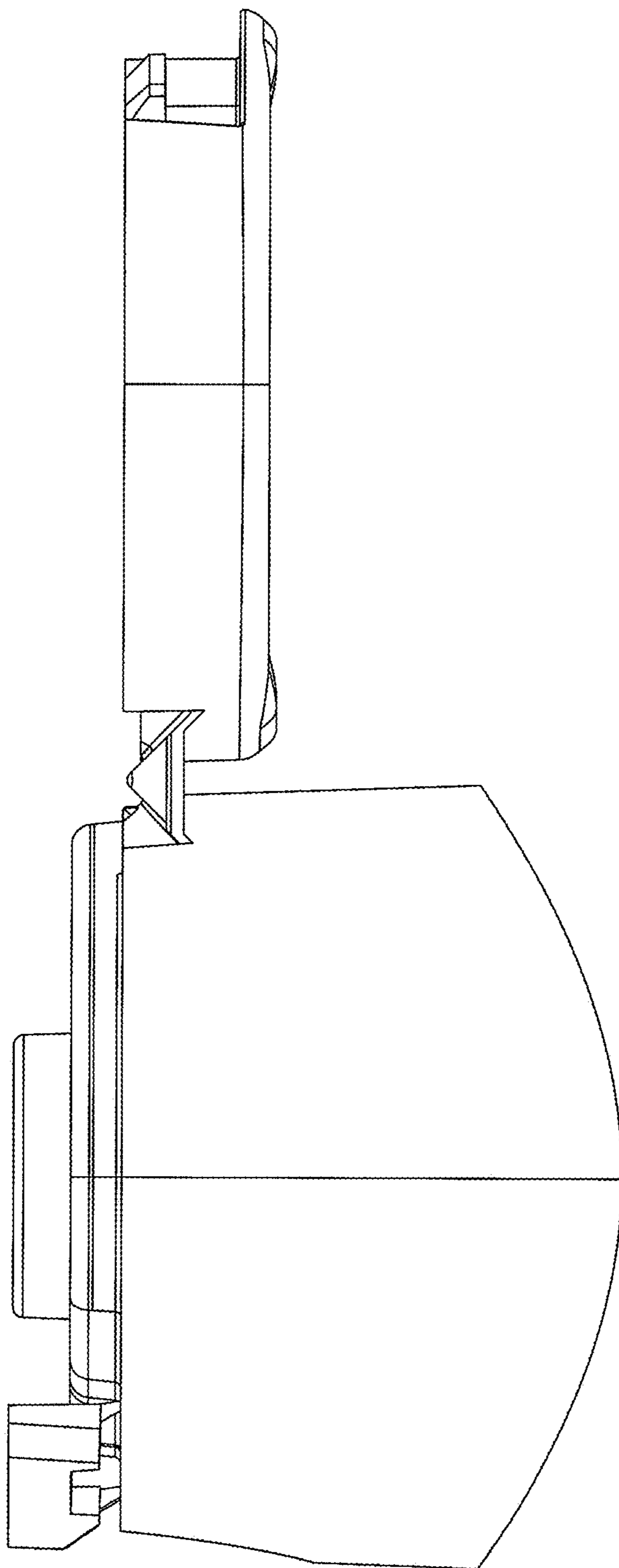


FIG. 4

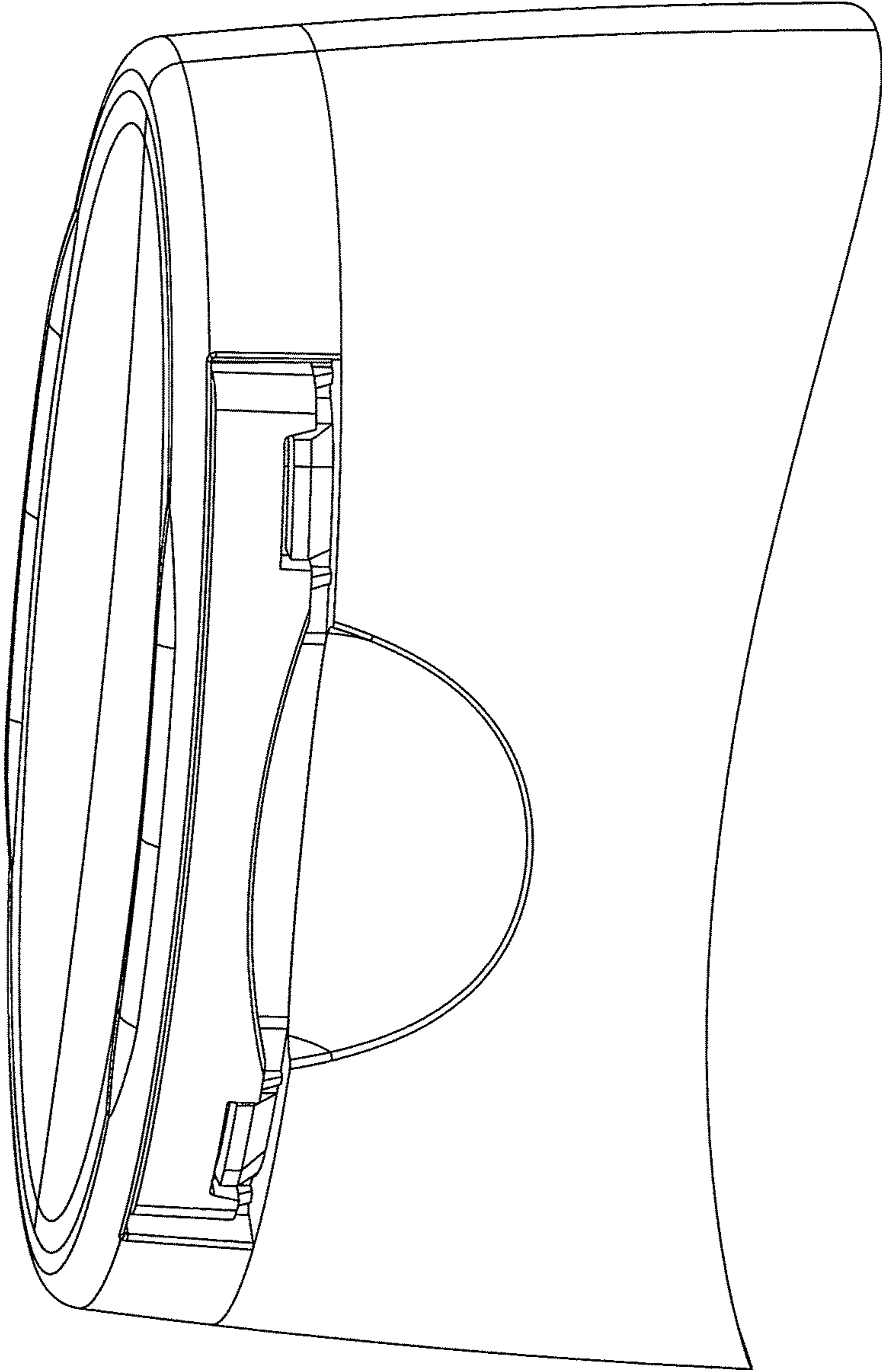


FIG. 5

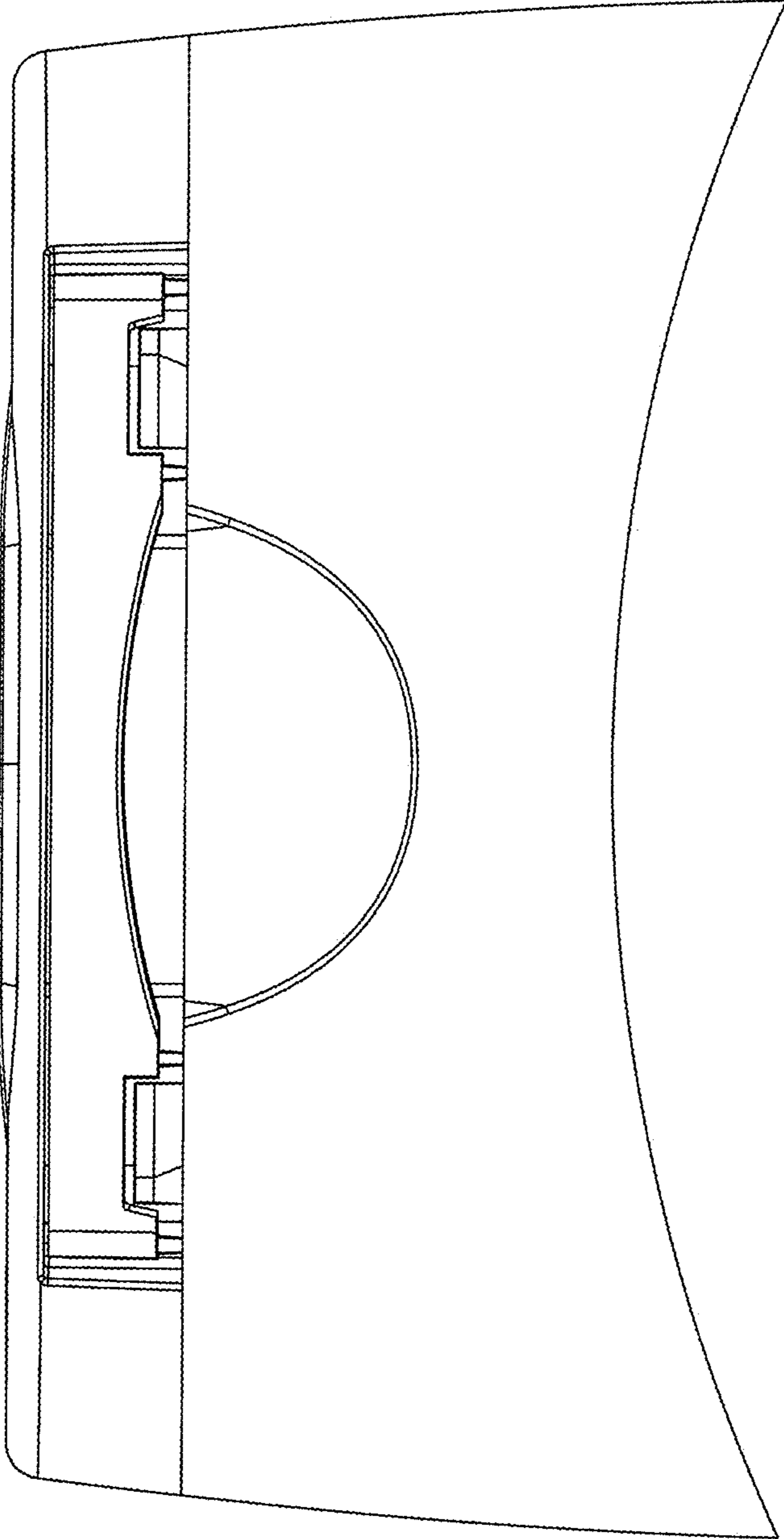


FIG. 6

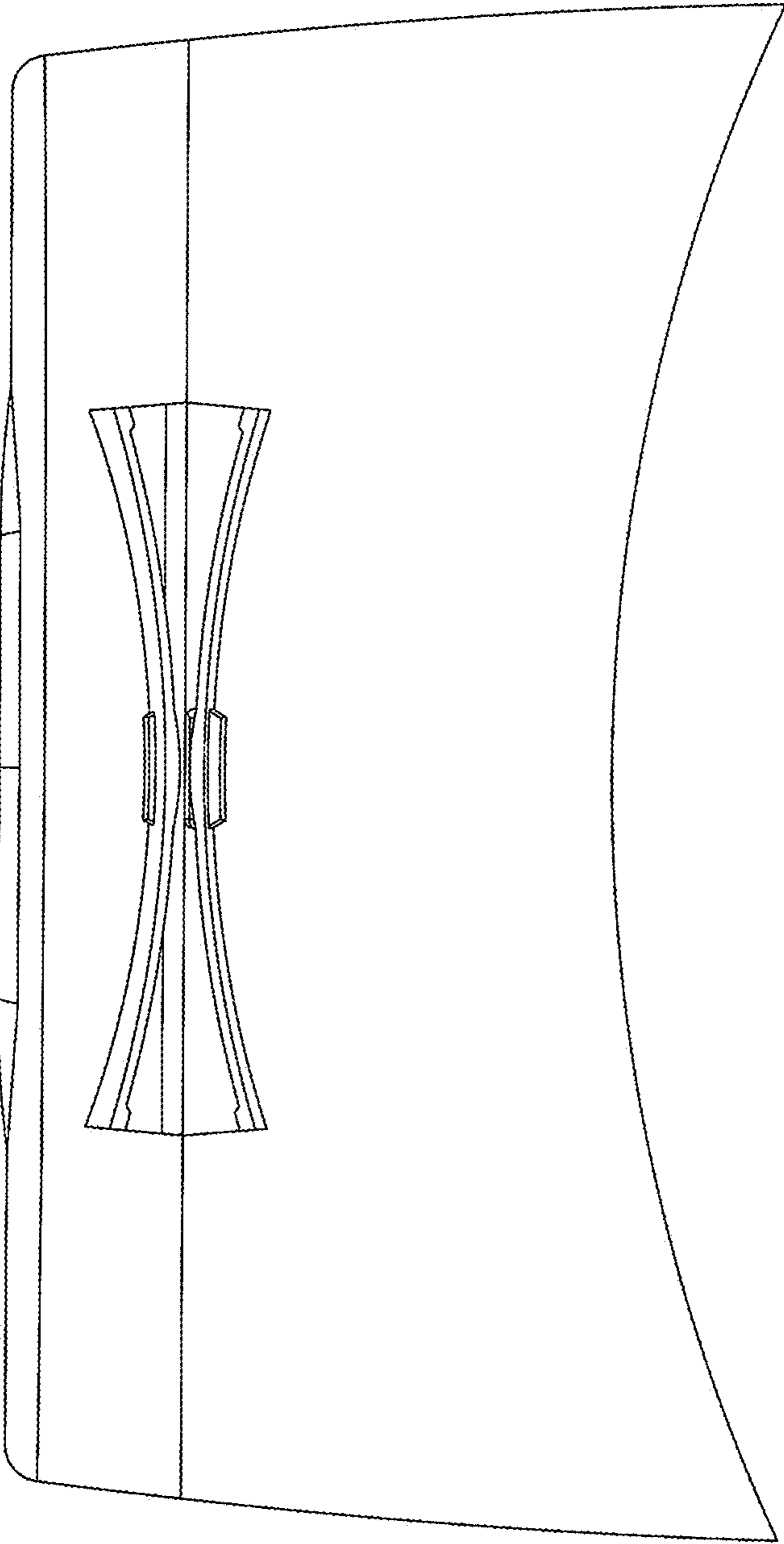


FIG.7