



US00D711230S

(12) **United States Design Patent**
den Boer

(10) **Patent No.:** **US D711,230 S**

(45) **Date of Patent:** **** Aug. 19, 2014**

(54) **FLIP-TOP CAP**

(71) Applicant: **Plasticum Group B.V.**, Tilburg (NL)

(72) Inventor: **Sebastiaan Wilhelmus Josephus den Boer**, Twello (NL)

(73) Assignee: **Plasticum Group B.V.**, Tilburg (NL)

(**) Term: **14 Years**

(21) Appl. No.: **29/437,390**

(22) Filed: **Nov. 15, 2012**

(30) **Foreign Application Priority Data**

May 15, 2012 (EM) 002041863-0003

(51) **LOC (10) Cl.** **09-07**

(52) **U.S. Cl.**
USPC **D9/449**

(58) **Field of Classification Search**
USPC D9/434, 435, 439, 440, 443, 446, 447,
D9/449, 453, 454, 417; D7/396.2, 392.1;
215/235, 236, 306; 220/254.2-254.5,
220/259.2, 263, 283, 715, 837; 222/212,
222/484, 556

See application file for complete search history.

(56) **References Cited**

U.S. PATENT DOCUMENTS

| | | | | | | |
|--------------|----|---|---------|----------------|-------|------------|
| D231,968 | S | * | 7/1974 | Juhlin | | D7/538 |
| 4,487,324 | A | * | 12/1984 | Ostrowsky | | 215/253 |
| 4,863,048 | A | * | 9/1989 | Iizuka et al. | | 215/235 |
| 6,866,164 | B2 | * | 3/2005 | Branson et al. | | 222/153.14 |
| D547,652 | S | * | 7/2007 | Kerman et al. | | D9/438 |
| D570,689 | S | * | 6/2008 | Chang | | D9/504 |
| D623,060 | S | * | 9/2010 | Hassamanci | | D9/449 |
| D681,458 | S | * | 5/2013 | Santarelli | | D9/449 |
| 2003/0201283 | A1 | * | 10/2003 | Branson et al. | | 222/153.14 |
| 2006/0186078 | A1 | * | 8/2006 | Ziegenhorn | | 215/237 |

* cited by examiner

Primary Examiner — Robert M Spear
(74) *Attorney, Agent, or Firm* — Schroeder Law PC

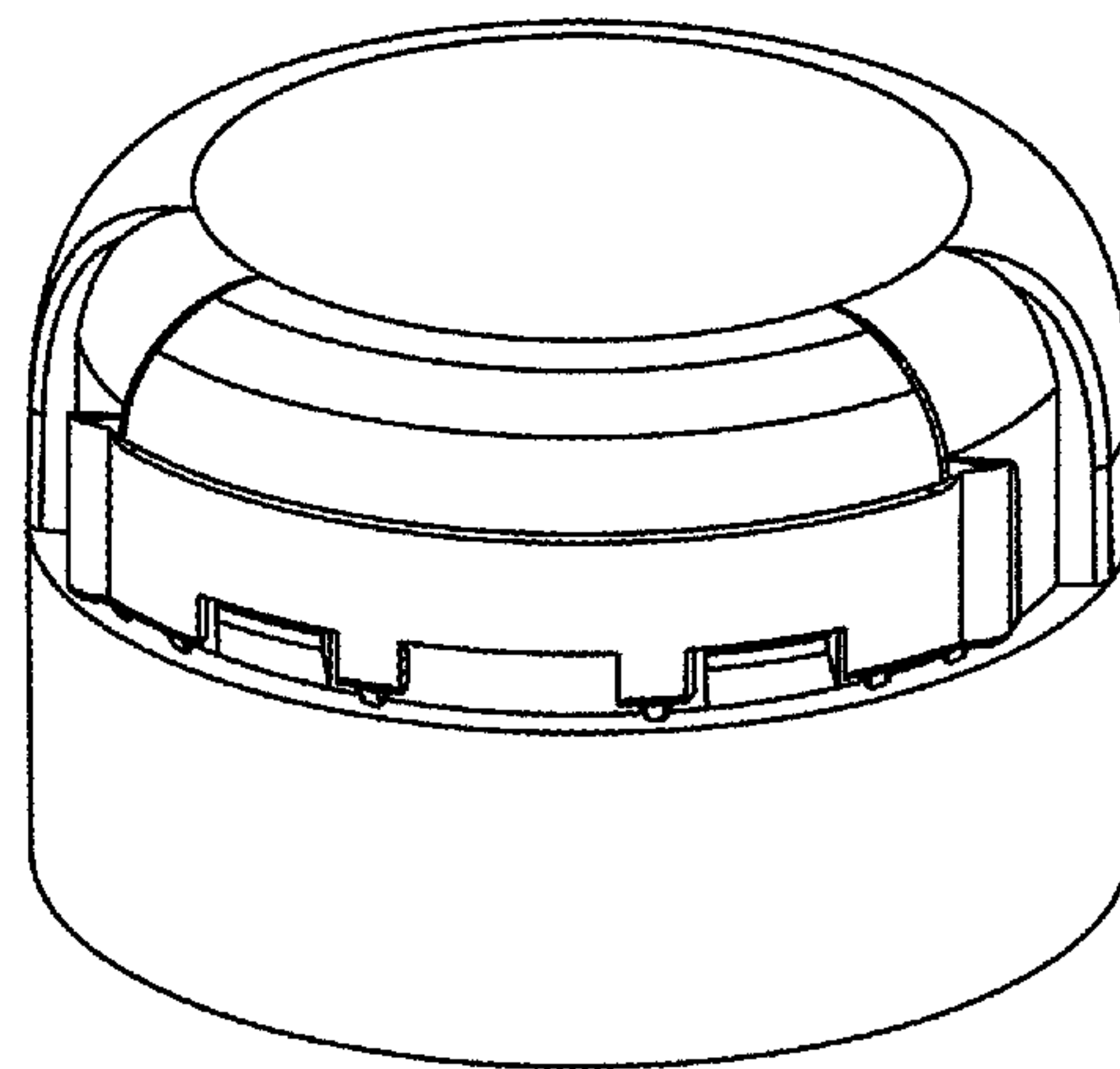
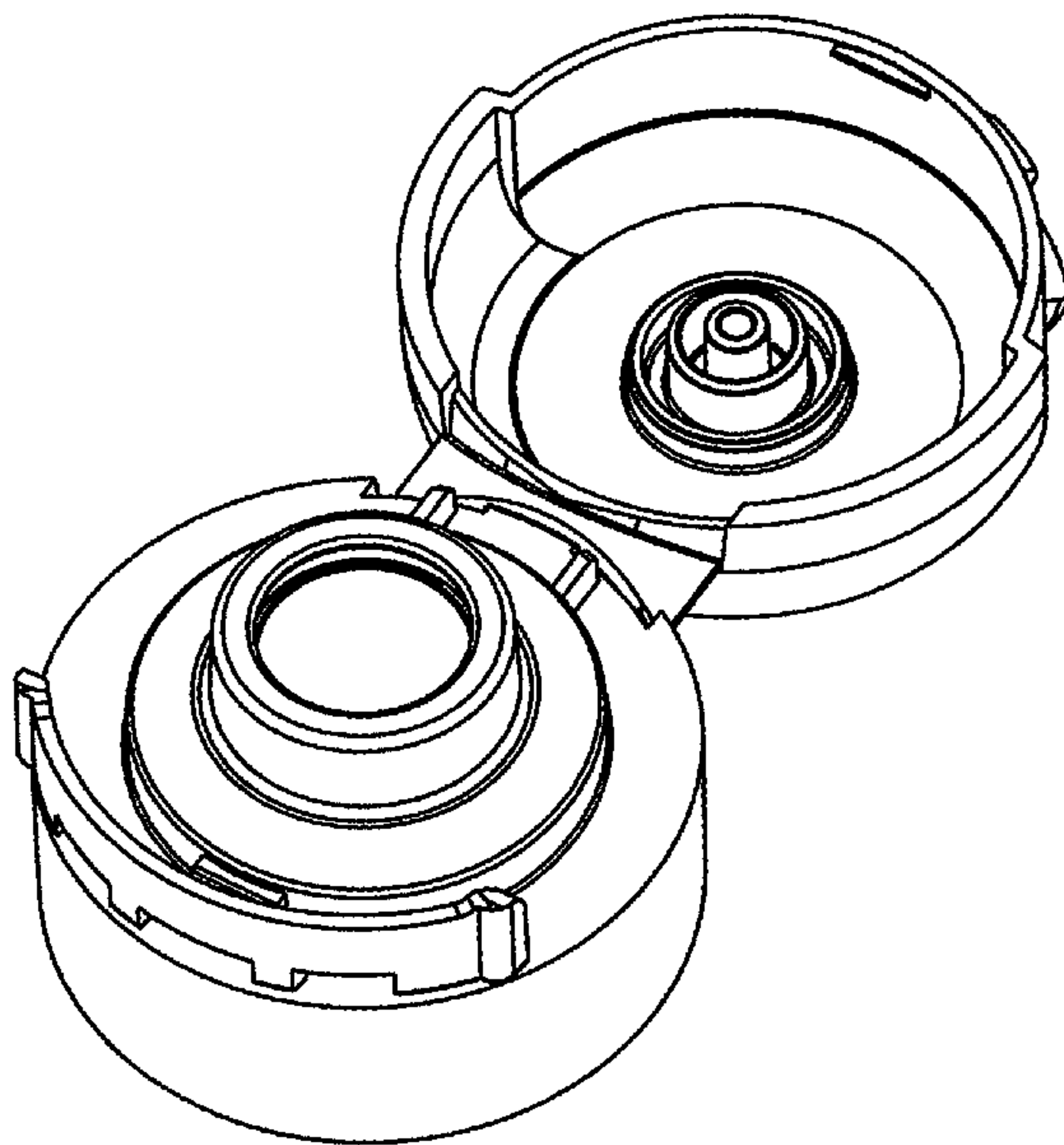
(57) **CLAIM**

The ornamental design for a flip-top cap, as shown and described.

DESCRIPTION

FIG. 1 is a perspective view of a flip-top cap incorporating my new design, shown in an open position;
FIG. 2 is a top view thereof;
FIG. 3 is a bottom view thereof;
FIG. 4 is a side elevation view thereof;
FIG. 5 is a perspective view of the flip-top cap incorporating my new design, shown in the closed position;
FIG. 6 is a front elevation view thereof; and,
FIG. 7 is a rear elevation view thereof.

1 Claim, 7 Drawing Sheets



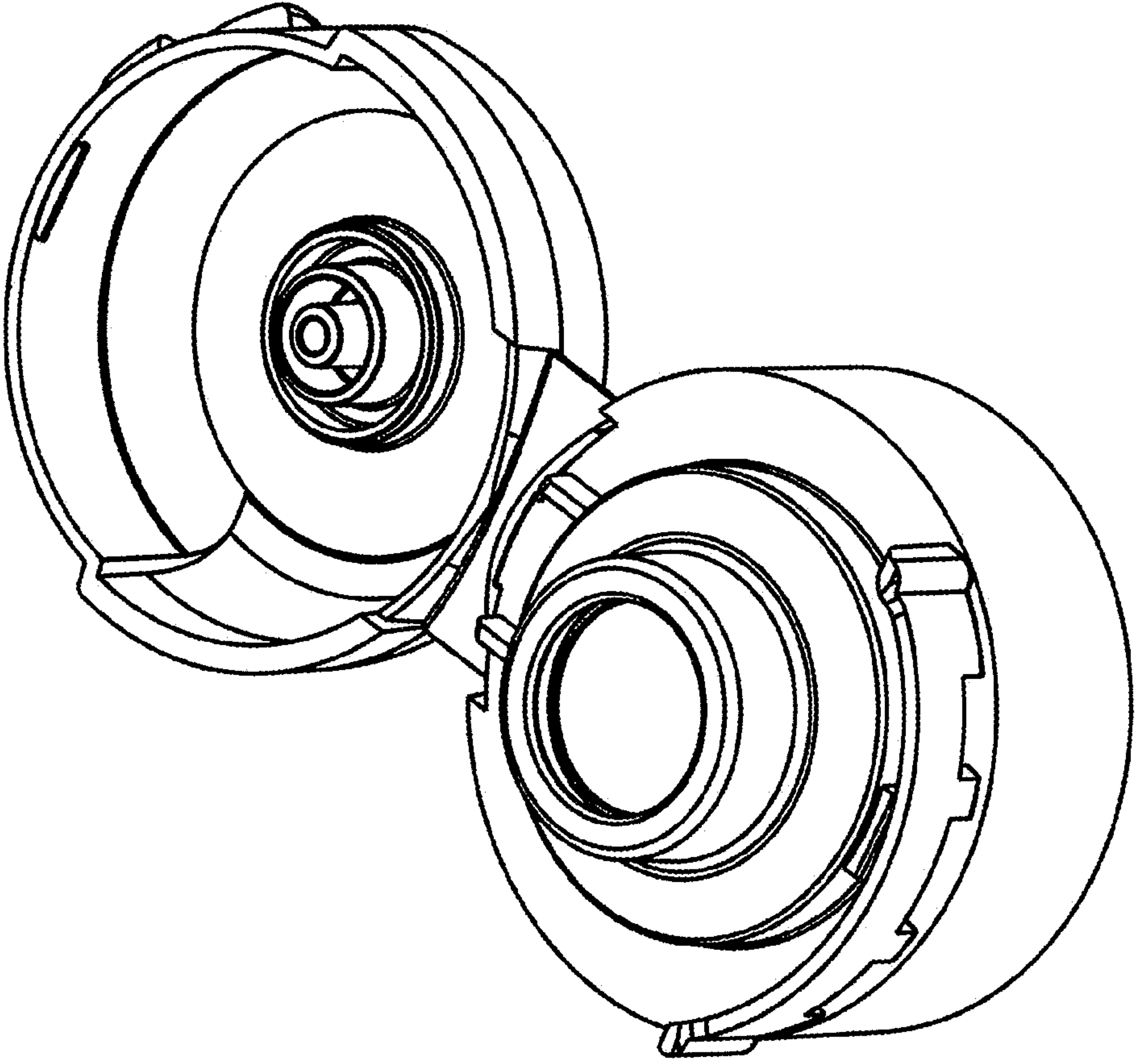


FIG. 1

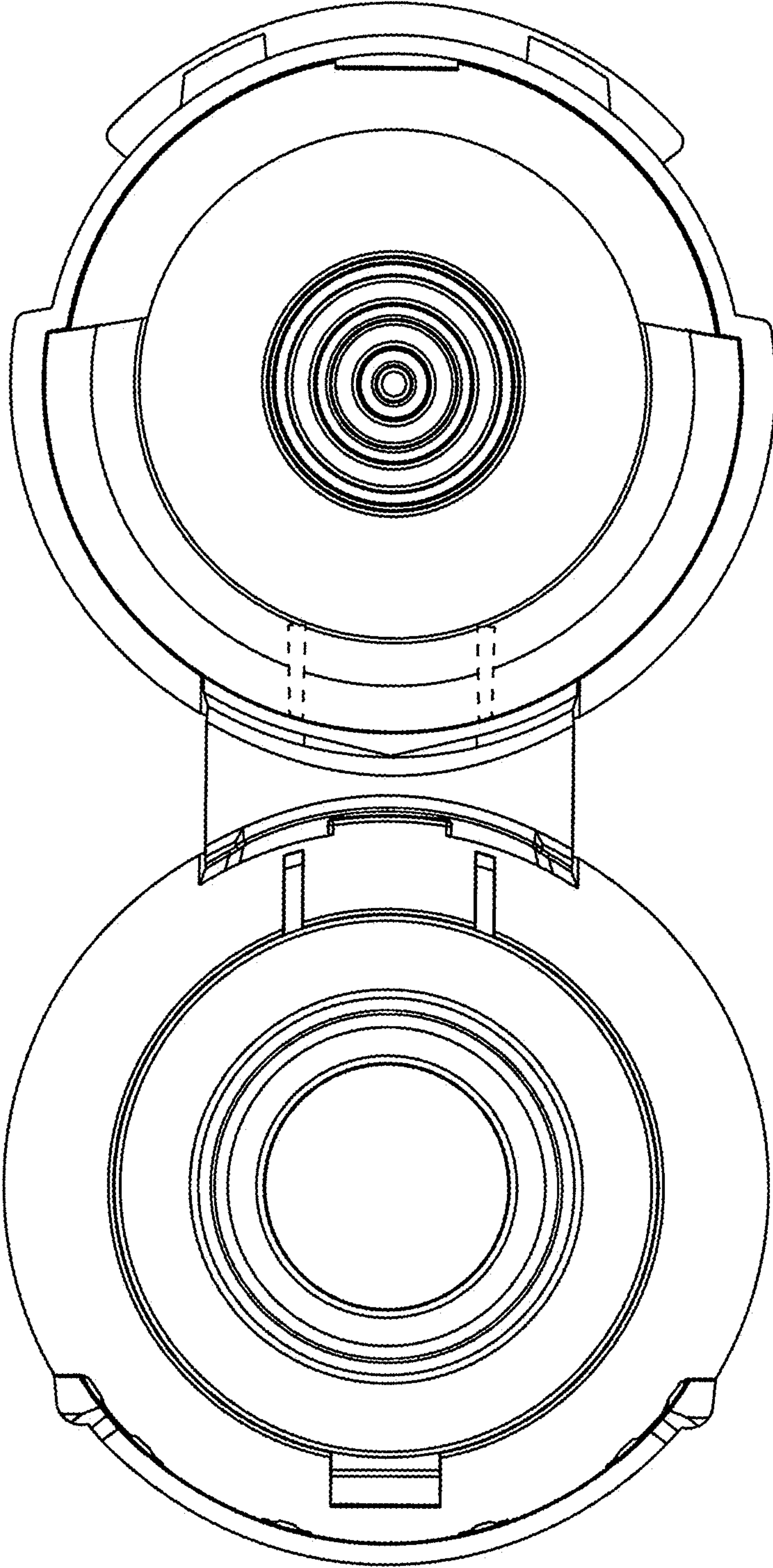


FIG. 2

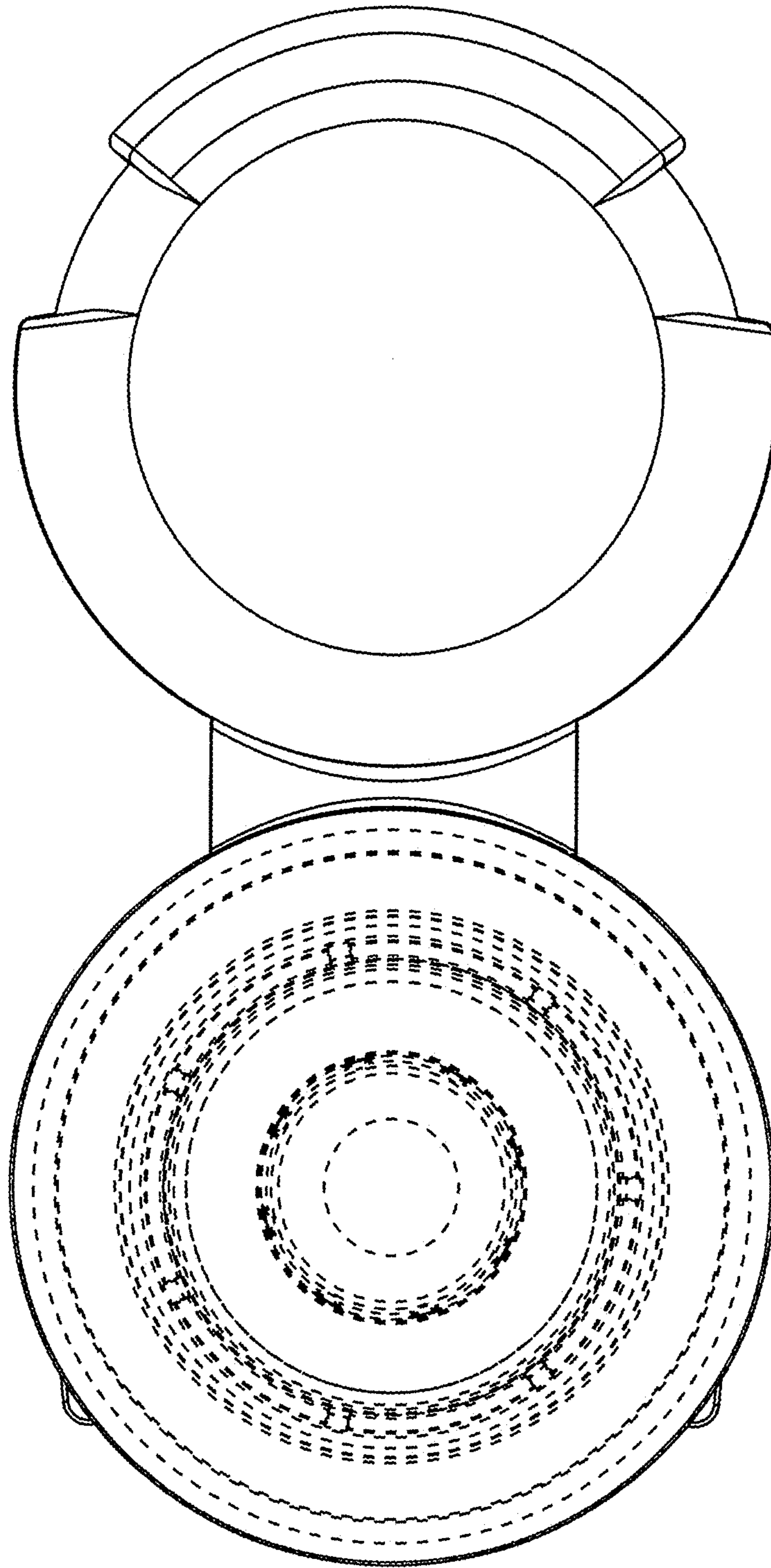


FIG. 3

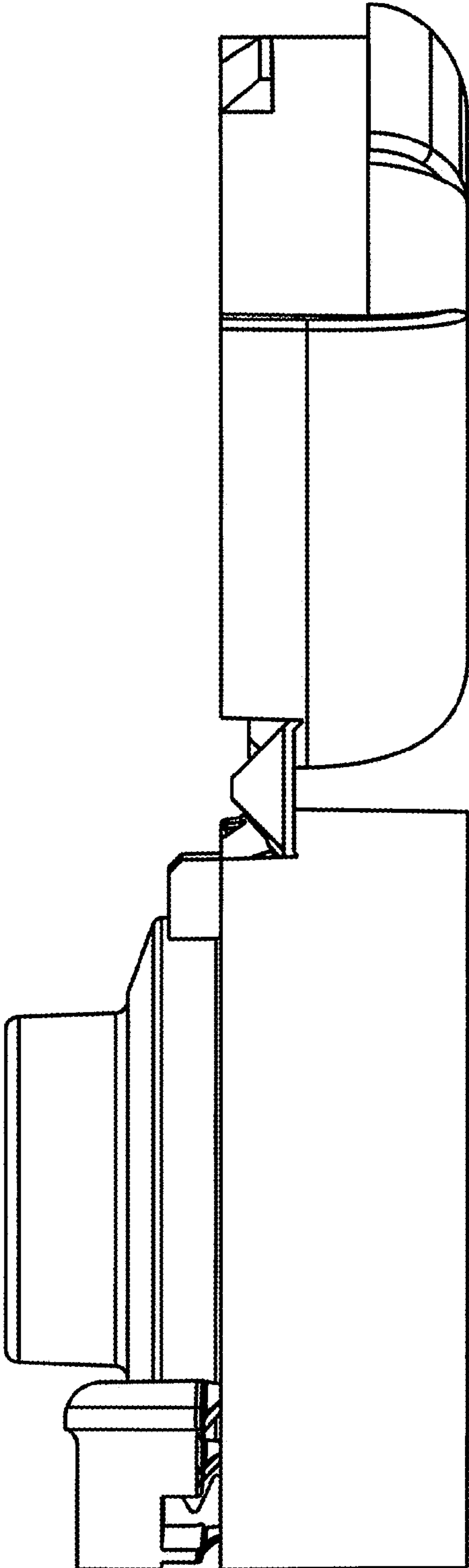


FIG. 4

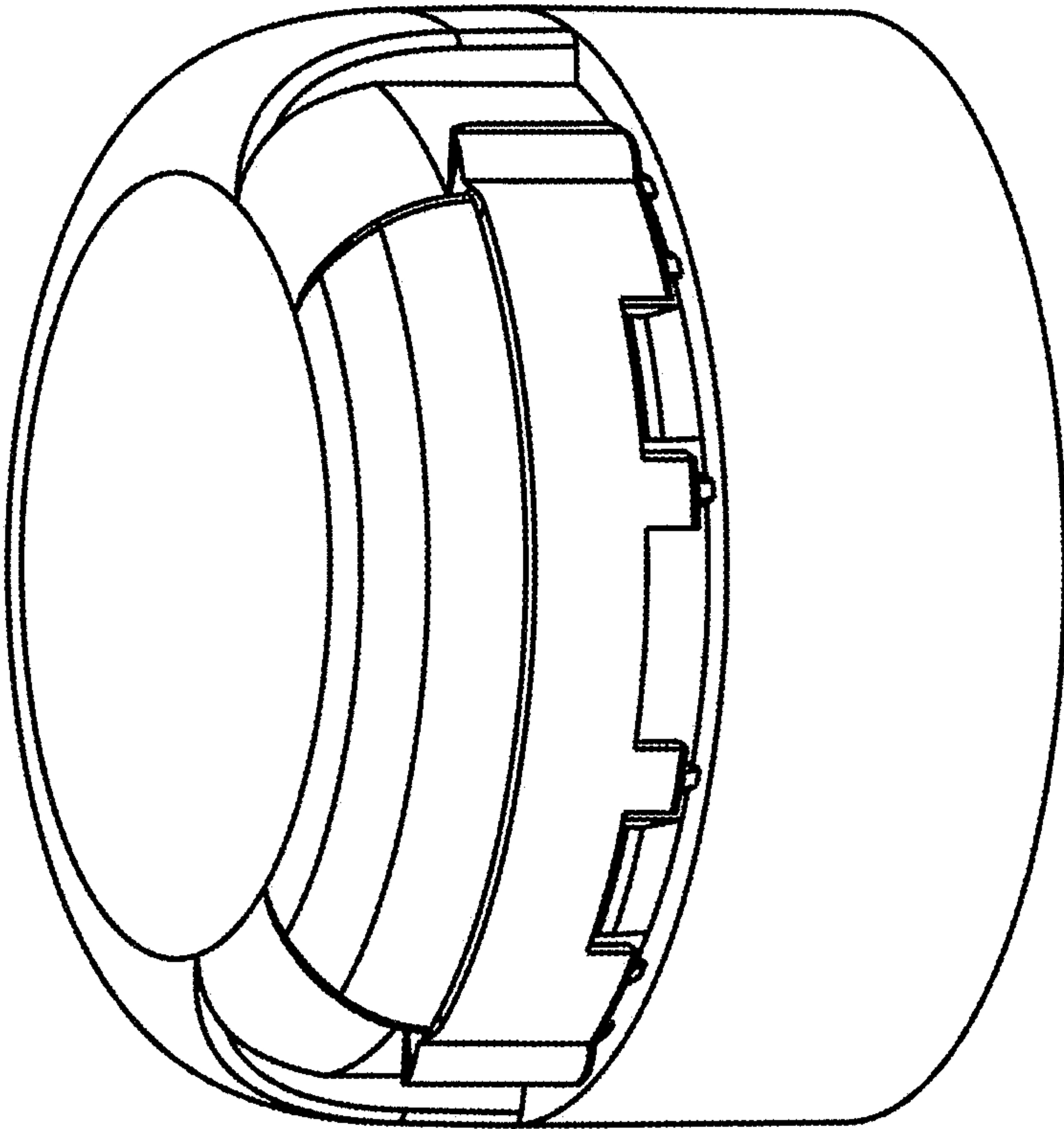


FIG. 5

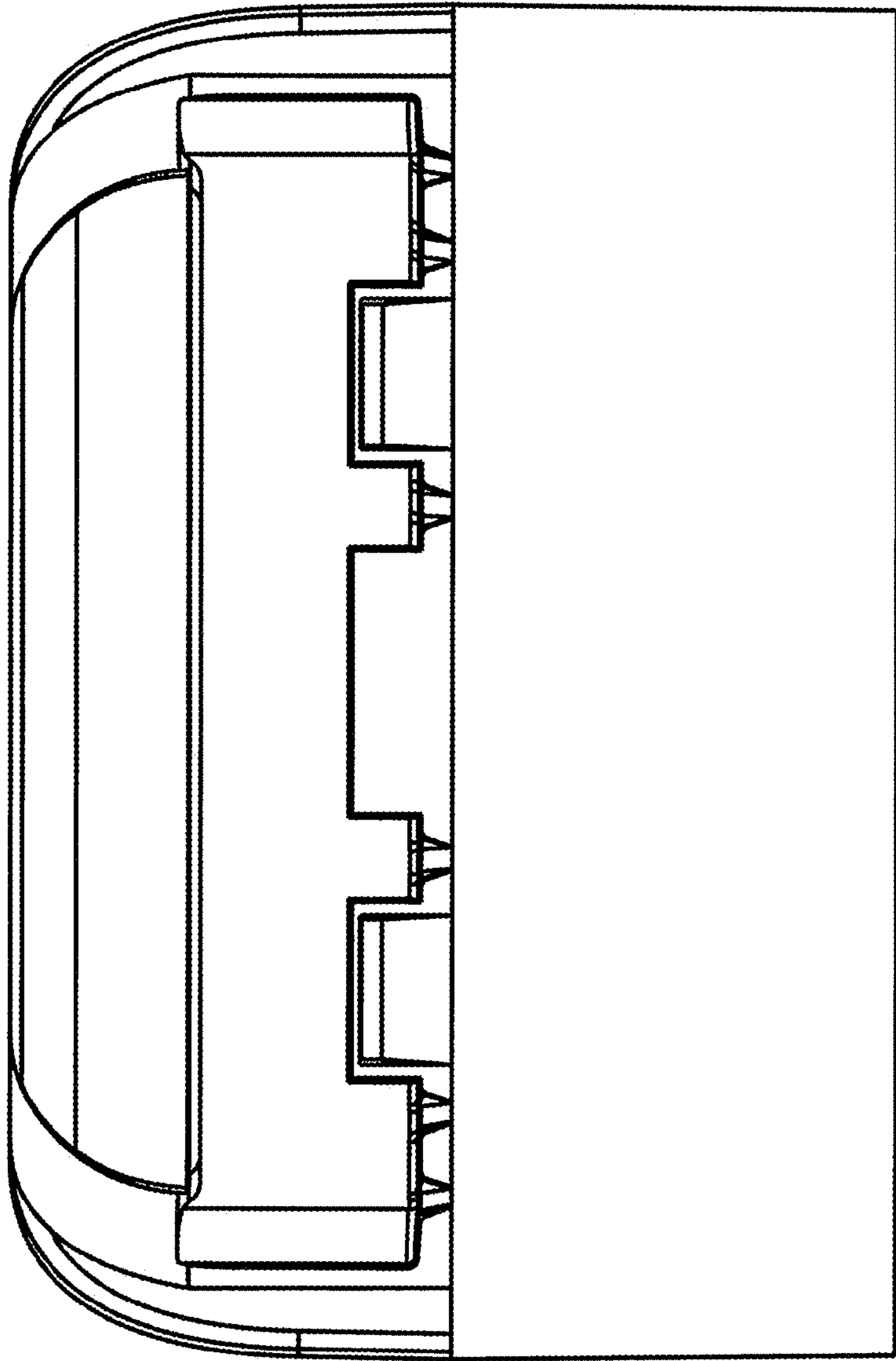


FIG. 6

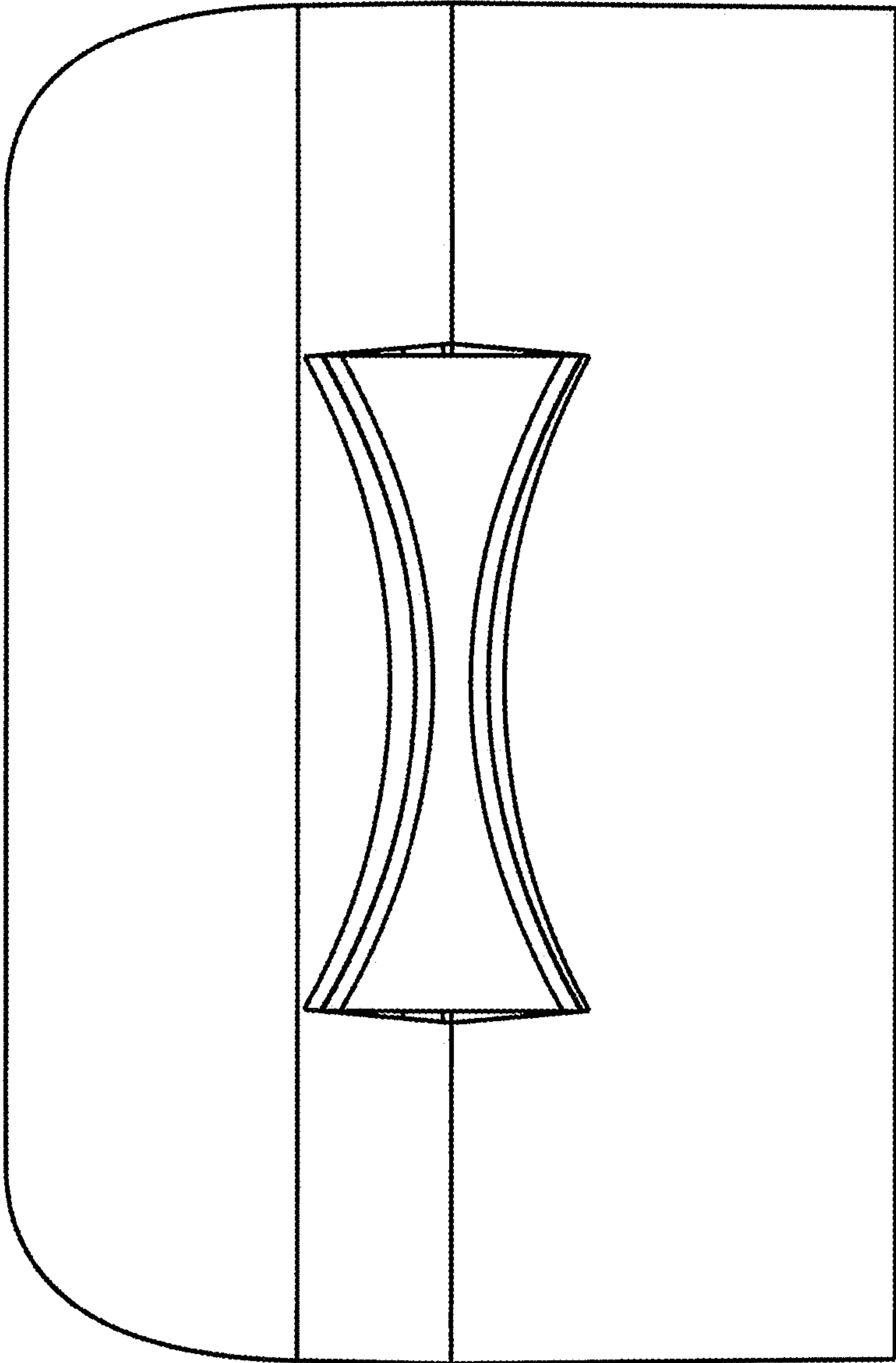


FIG. 7