



US00D711227S

(12) **United States Design Patent**
Sheikh

(10) **Patent No.:** **US D711,227 S**

(45) **Date of Patent:** **** Aug. 19, 2014**

(54) **ICE BAG CAP**

(71) Applicant: **Shahid Sheikh**, Santa Monica, CA (US)

(72) Inventor: **Shahid Sheikh**, Santa Monica, CA (US)

(**) Term: **14 Years**

(21) Appl. No.: **29/439,621**

(22) Filed: **Dec. 13, 2012**

(51) **LOC (10) Cl.** **09-07**

(52) **U.S. Cl.**
USPC **D9/435**

(58) **Field of Classification Search**
CPC ... B31B 1/10; B31B 2219/9054; A61F 7/103;
A61F 2007/105
USPC D9/435, 439, 443, 447, 452; 220/304;
383/80; 493/213, 214; 607/114
See application file for complete search history.

(56) **References Cited**

U.S. PATENT DOCUMENTS

D51,851 S *	3/1918	Bloom	D9/439
D155,559 S *	10/1949	Tillmann	D9/529
D264,435 S *	5/1982	Pettengill	D9/545
D476,564 S *	7/2003	Flasch	D9/447
D491,062 S *	6/2004	Hoff	D9/435

D528,910 S *	9/2006	Kingsley	D9/446
D530,200 S *	10/2006	Kingsley	D9/446
D681,459 S *	5/2013	Ramsey et al.	D9/452
2012/0031142 A1 *	2/2012	Marton et al.	62/530
2013/0158637 A1 *	6/2013	Sheikh	607/114

* cited by examiner

Primary Examiner — Susan Bennett Hattan

Assistant Examiner — Leanne Was

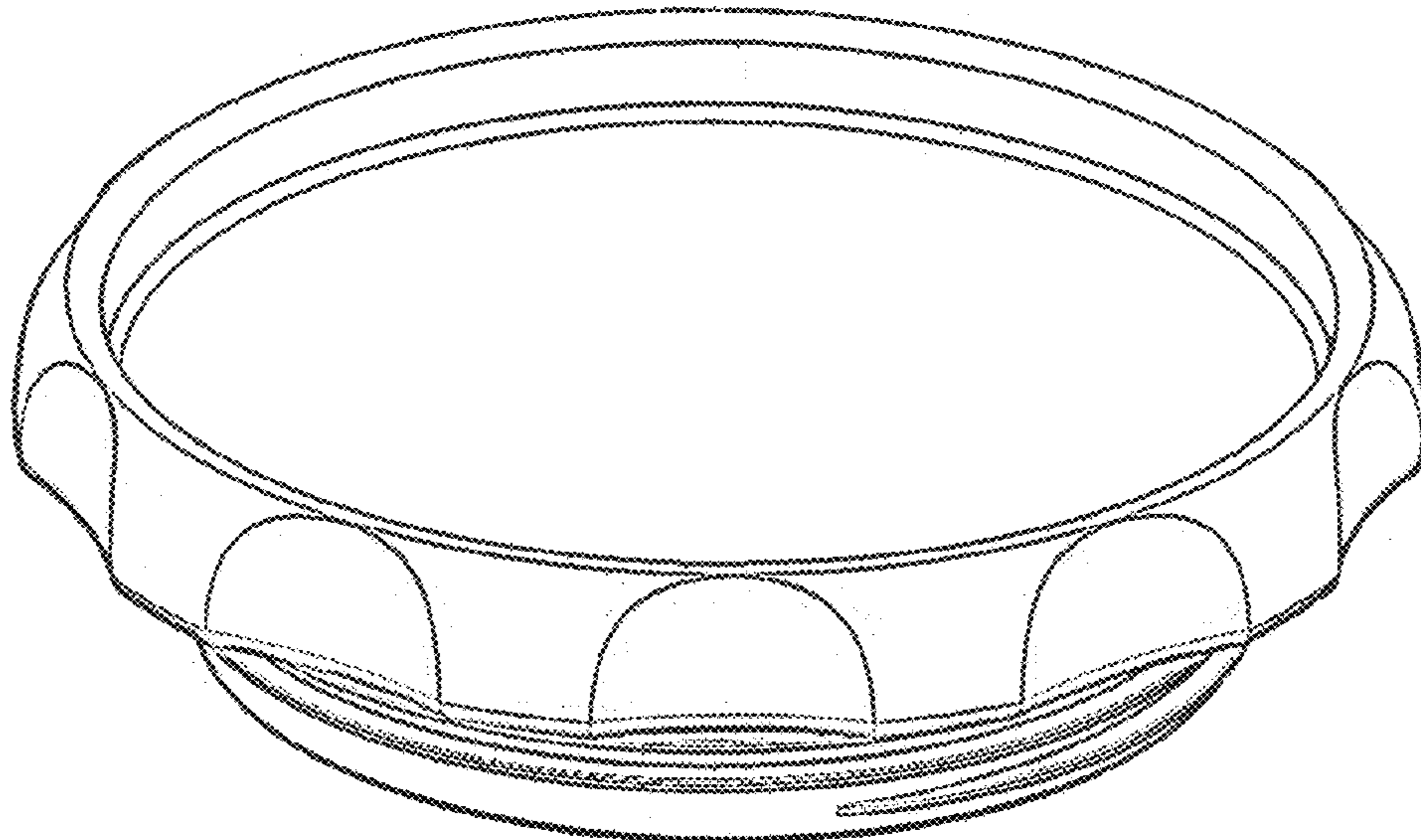
(57) **CLAIM**

The ornamental design for an ice bag cap, as shown.

DESCRIPTION

FIG. 1 is a top perspective view of the ice bag cap;
FIG. 2 is a bottom perspective view thereof;
FIG. 3 is a top plan view thereof;
FIG. 4 is a bottom plan view thereof;
FIG. 5 is a side plan view thereof;
FIG. 6 is a top perspective view of another embodiment of the ice bag cap;
FIG. 7 is a top plan view of the FIG. 6 embodiment; and,
FIG. 8 is a bottom view of the FIG. 6 embodiment.
The broken lines are for illustrative purposes only and form no part of the claimed design.

1 Claim, 4 Drawing Sheets



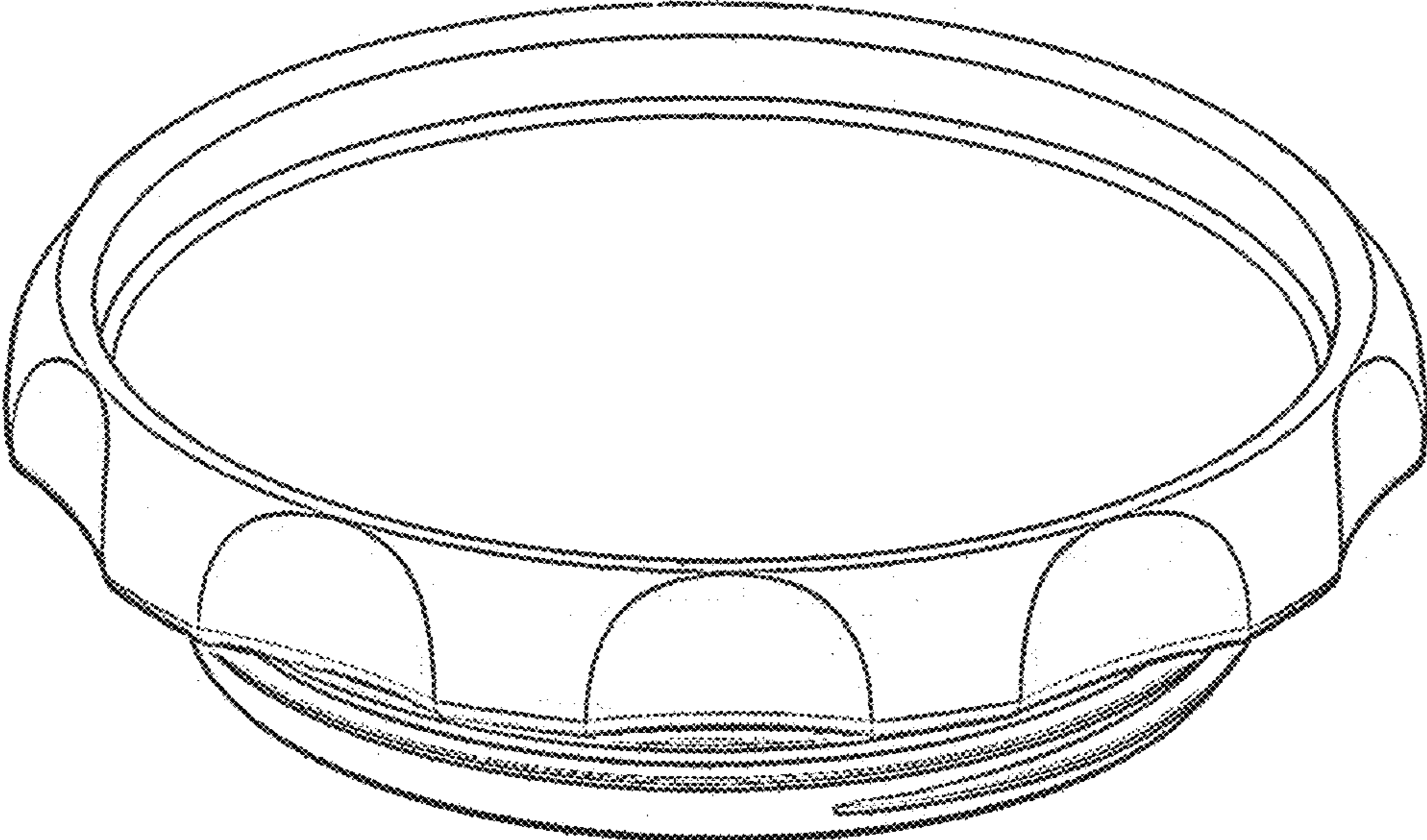


FIG. 1

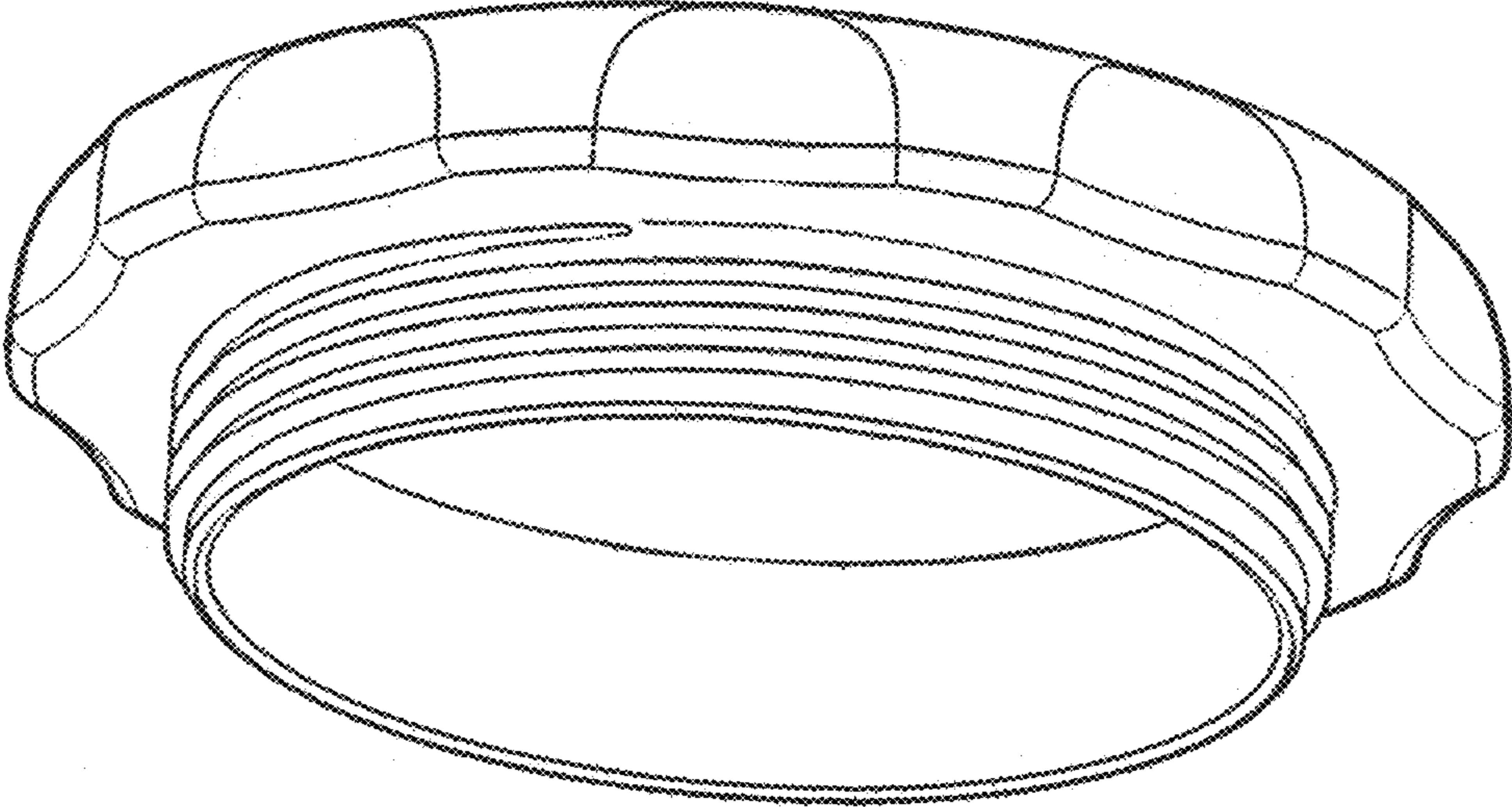


FIG. 2

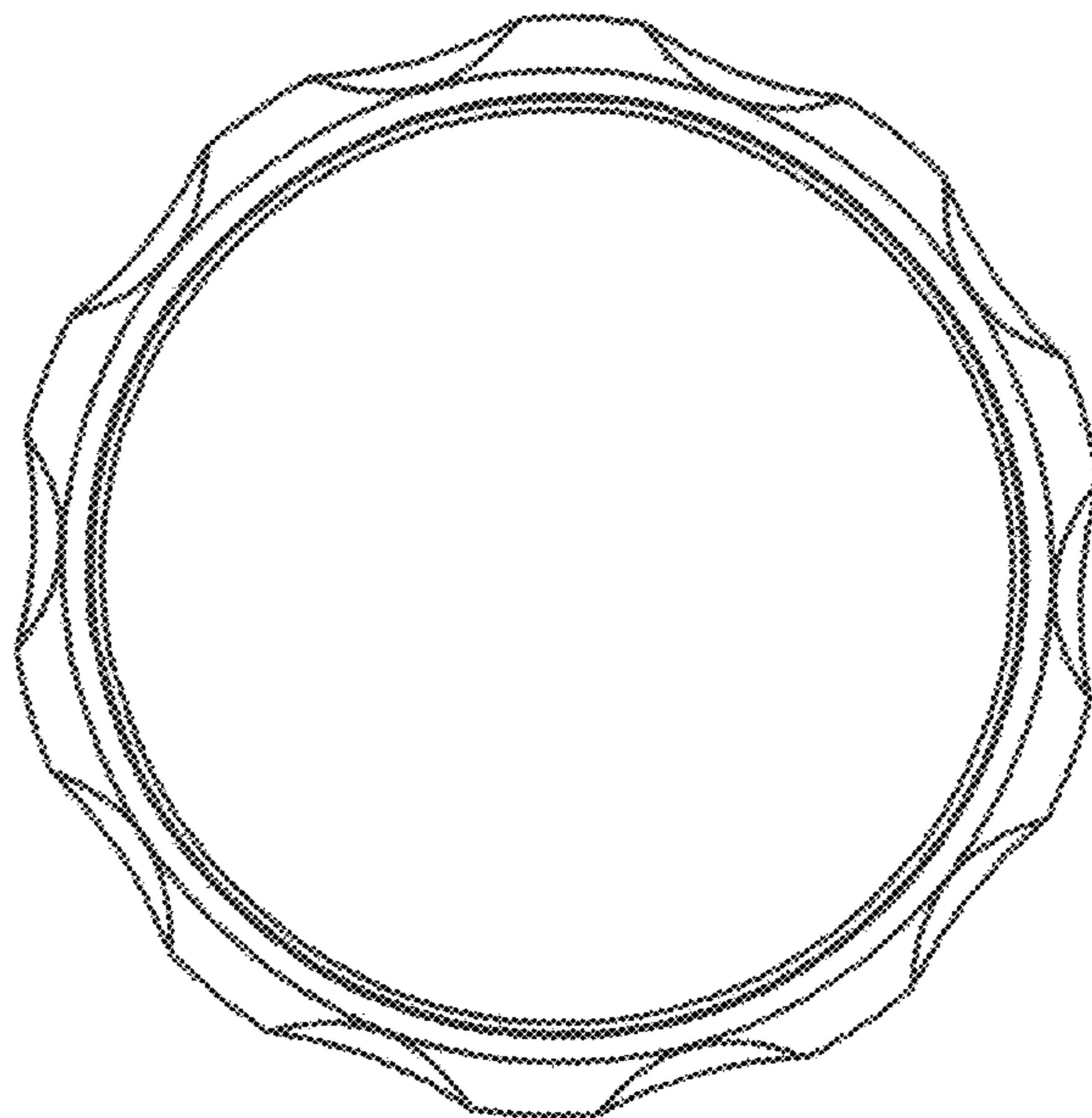


FIG. 3

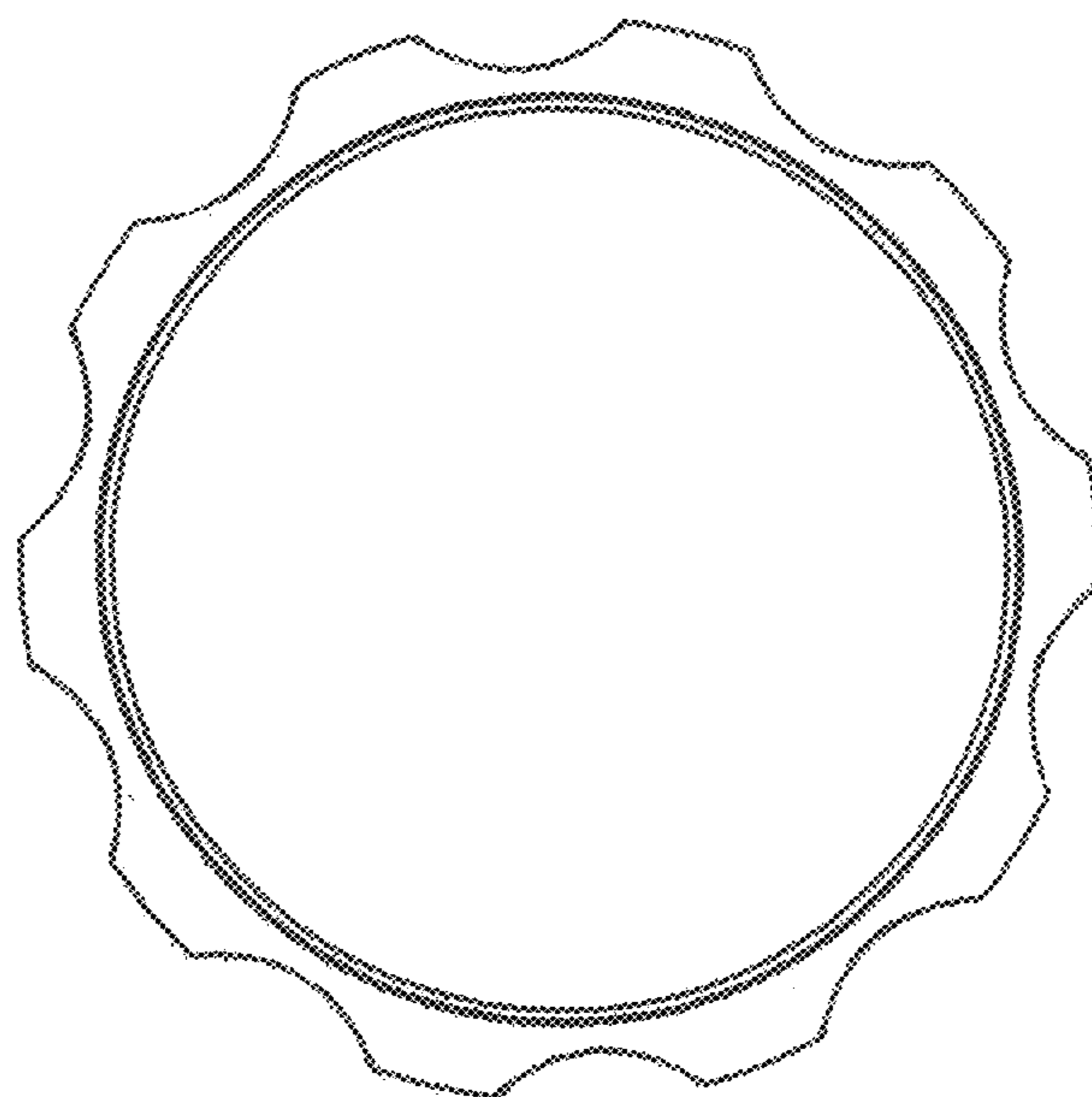


FIG. 4

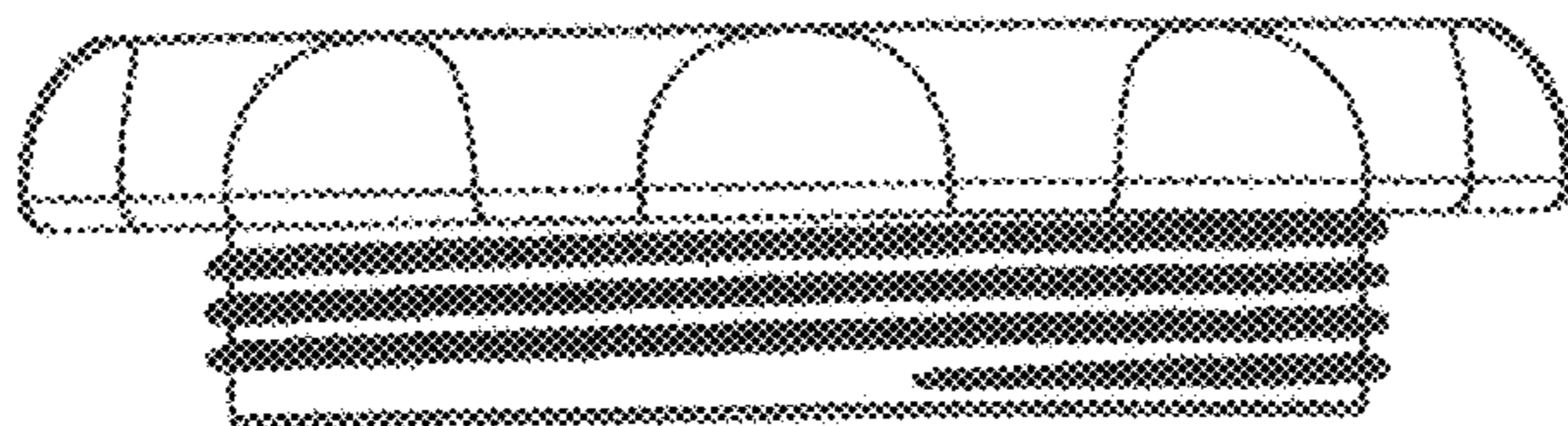


FIG. 5

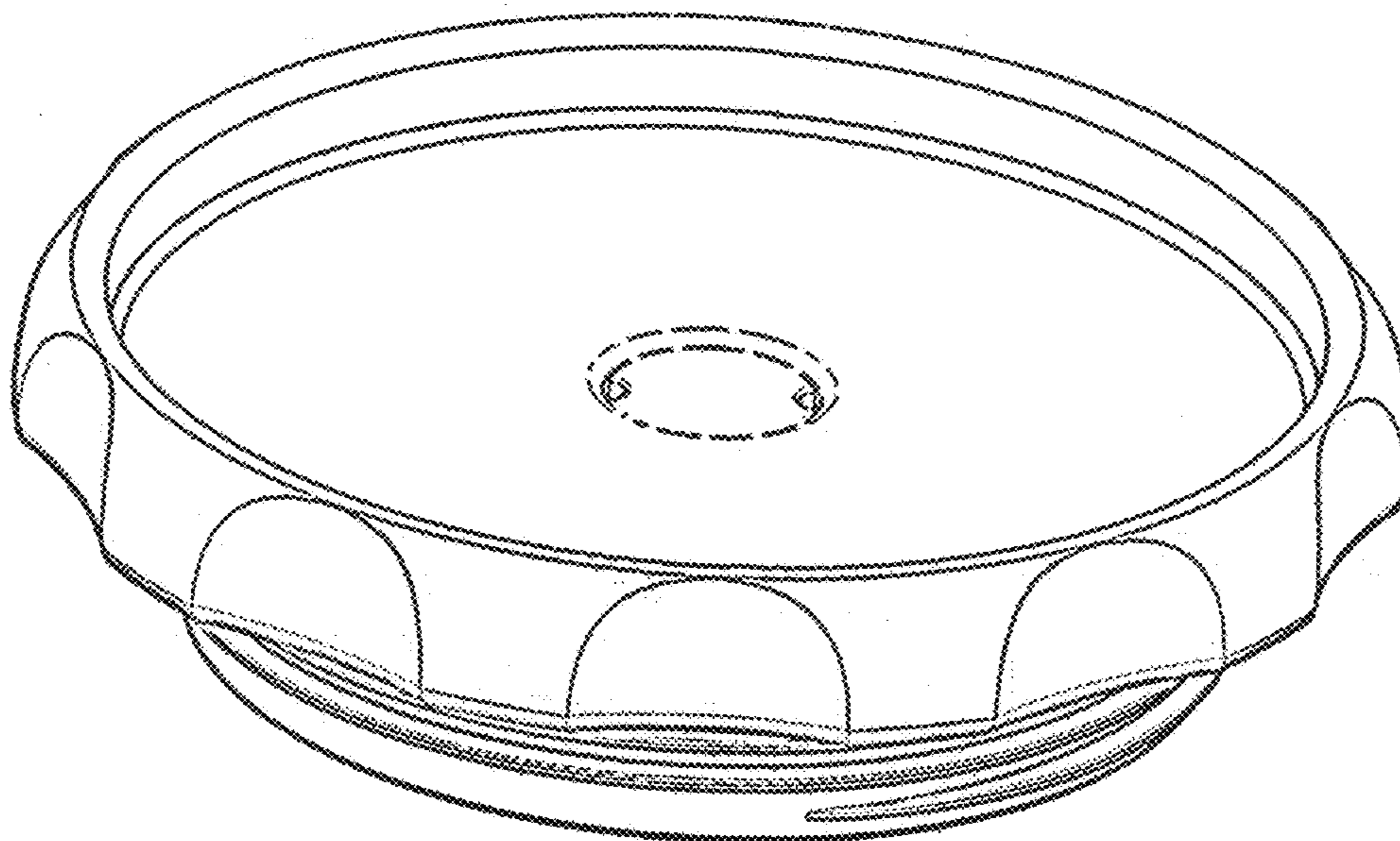


FIG. 6

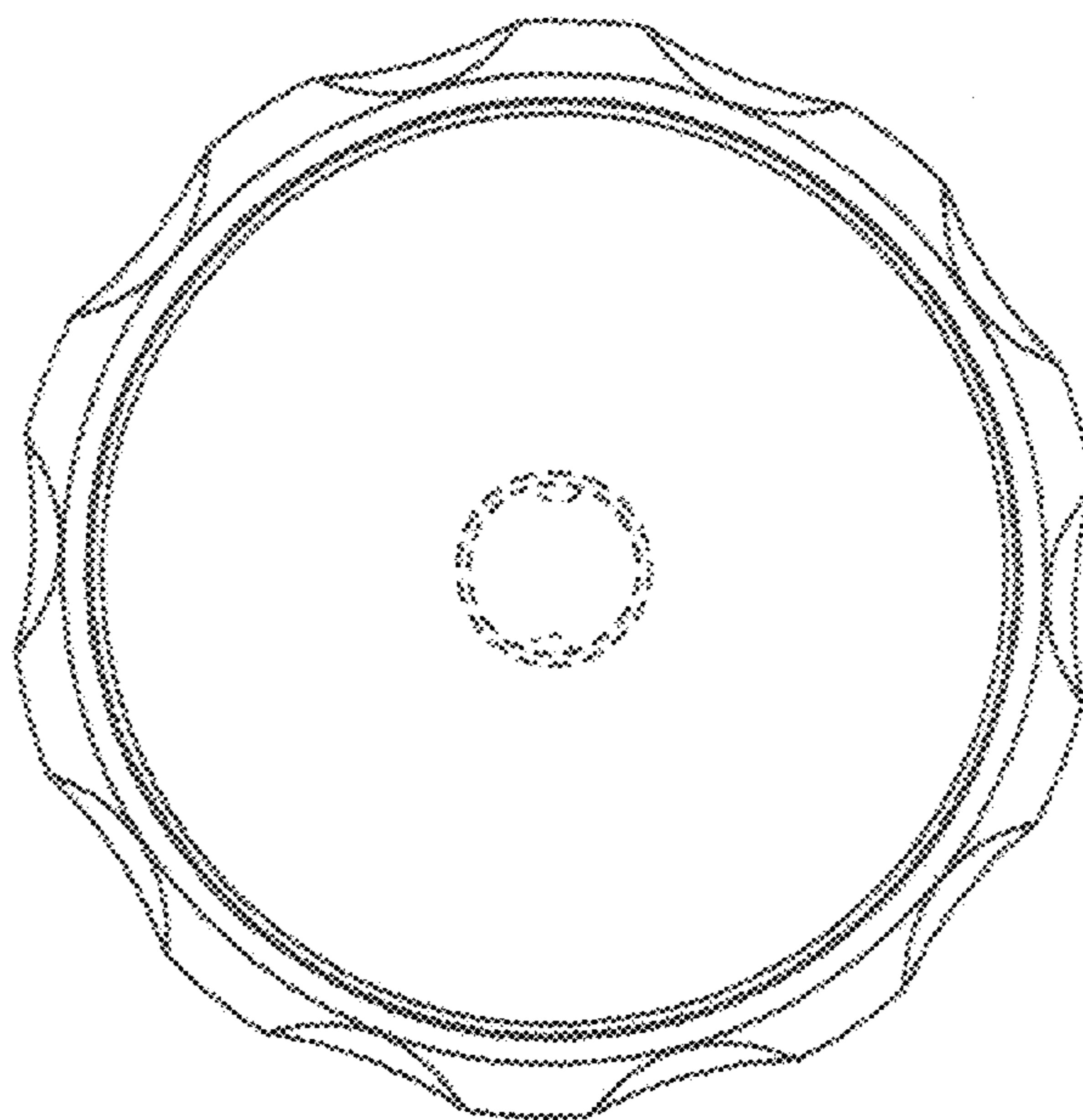


FIG. 7

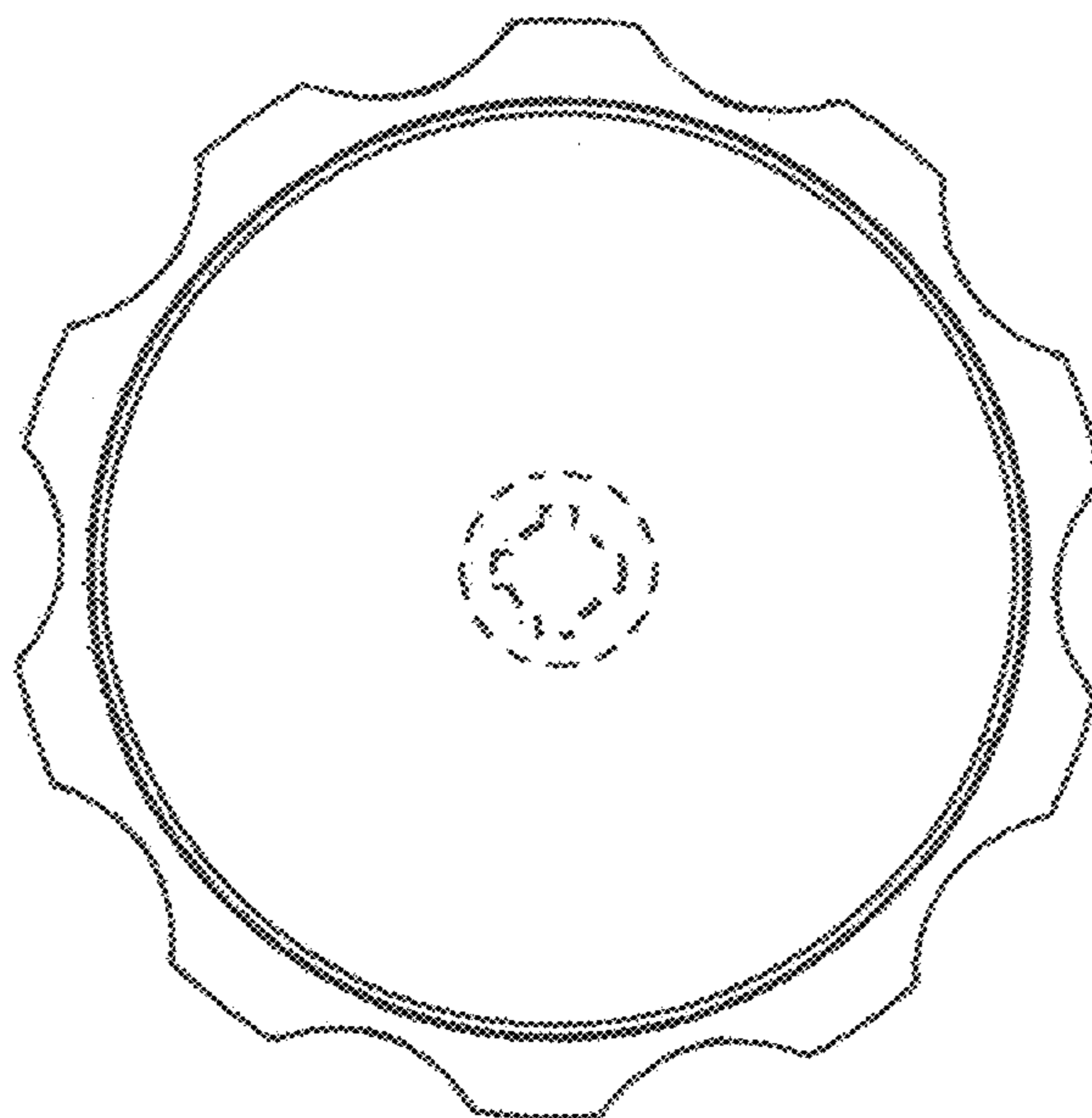


FIG. 8