



US00D711226S

(12) **United States Design Patent**
Fleming

(10) **Patent No.:** **US D711,226 S**

(45) **Date of Patent:** **** Aug. 19, 2014**

(54) **LID FOR A BEVERAGE CONTAINER**
(71) Applicant: **Douglas H. Fleming**, Bainbridge Island, WA (US)

5,370,258 A 12/1994 Fair
5,398,843 A 3/1995 Warden et al.
5,540,350 A 7/1996 Lansky
5,542,670 A 8/1996 Morano

(Continued)

(72) Inventor: **Douglas H. Fleming**, Bainbridge Island, WA (US)

FOREIGN PATENT DOCUMENTS

(**) Term: **14 Years**

CA 2212228 7/2002
CA 2635219 7/2008

(Continued)

(21) Appl. No.: **29/433,172**

OTHER PUBLICATIONS

(22) Filed: **Sep. 26, 2012**

(51) **LOC (10) Cl.** **09-07**

(52) **U.S. Cl.**
USPC **D9/435**

Louise Harpman & Scott Specht, Cabinet Magazine, Inventory/Peel, Pucker, Pinch, Puncture. Issue 19, Chance Fall 2005 (Sep. 2005). <http://www.cabinetmagazine.org/issues/19/harpman.php> (4 pages).

(Continued)

(58) **Field of Classification Search**
USPC D7/396.2; D9/435, 436, 437, 438, 440, D9/447, 449, 454; 215/200, 228, 250, 253, 215/387; 220/200, 367.1, 711, 712, 713, 220/752; 229/404

Primary Examiner — Susan Bennett Hattan
Assistant Examiner — Leanne Was
(74) *Attorney, Agent, or Firm* — R. Reams Goodloe, Jr.

See application file for complete search history.

(57) **CLAIM**

(56) **References Cited**

The ornamental design for a lid for a beverage container, as shown and described.

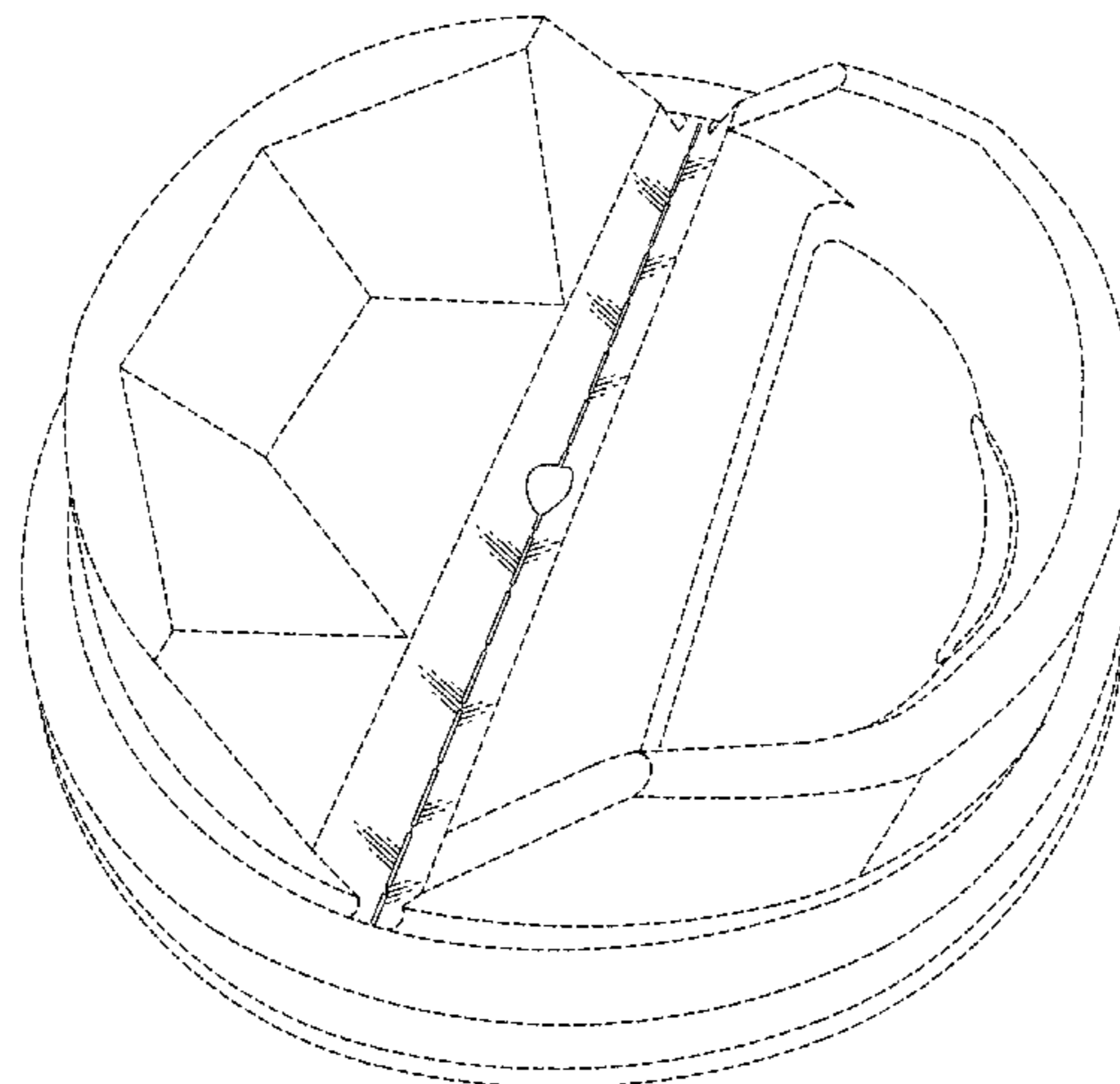
U.S. PATENT DOCUMENTS

DESCRIPTION

2,358,600 A	9/1944	Selten	
2,362,354 A	11/1944	Clovis	
3,360,161 A	12/1967	Smith	
3,400,855 A	9/1968	Alexander	
3,868,043 A	2/1975	Freemyer	
3,938,695 A	2/1976	Ruff	
4,085,861 A	4/1978	Ruff	
4,582,214 A	4/1986	Dart et al.	
4,586,625 A	5/1986	Garrett	
4,589,569 A	5/1986	Clements	
4,609,124 A	9/1986	Malloy	
4,619,372 A	10/1986	McFarland	
D287,919 S	1/1987	Clements	
4,768,674 A	9/1988	Prescott	
D299,010 S	12/1988	Wall	
4,938,377 A	7/1990	Jarvis	
4,986,437 A	1/1991	Farmer	
5,111,961 A *	5/1992	Van Melle 220/712

FIG. 1 is a perspective view of a lid for a beverage container showing the novel design.
FIG. 2 is a front side view thereof.
FIG. 3 is a back side view thereof.
FIG. 4 is a left side view thereof.
FIG. 5 is a right side view thereof.
FIG. 6 is a top plan view thereof; and,
FIG. 7 is a bottom plan view thereof.
In each of the drawing figures, portions of the lid for a beverage container that are shown in broken lines depict environmental subject matter only and form no part of the claimed design.

1 Claim, 4 Drawing Sheets



(56)

References Cited

U.S. PATENT DOCUMENTS

5,820,016 A 10/1998 Stropkay
 5,894,952 A * 4/1999 Mendenhall et al. 220/713
 5,897,019 A 4/1999 Stropkay
 5,988,426 A * 11/1999 Stern 220/371
 6,003,711 A 12/1999 Bilewitz
 6,311,863 B1 11/2001 Fleming
 6,375,033 B1 4/2002 Fleming
 6,419,105 B1 7/2002 Bruce et al.
 6,571,973 B1 6/2003 Tripsianes
 6,644,490 B2 11/2003 Clarke
 D485,758 S 1/2004 Clarke et al.
 7,100,790 B2 9/2006 Dark
 D539,649 S * 4/2007 Smith et al. D9/454
 D539,650 S * 4/2007 Smith et al. D9/454
 D540,165 S 4/2007 Hollis et al.
 D547,605 S 7/2007 Edelstein et al.
 7,275,652 B2 10/2007 Morris et al.
 D592,056 S 5/2009 Tedford, Jr.
 D592,952 S 5/2009 Hundley et al.
 7,591,393 B2 9/2009 Crudgington, Jr.
 D632,174 S 2/2011 Charbonnet et al.
 D634,192 S * 3/2011 Mueller D9/436
 D635,855 S * 4/2011 Smith et al. D9/447
 D637,079 S 5/2011 Brown et al.
 7,959,029 B2 6/2011 Whitaker et al.
 D655,161 S * 3/2012 Daniel D9/447

D655,162 S * 3/2012 Daniel D9/447
 D656,023 S * 3/2012 Baker et al. D9/448
 2007/0114236 A1 5/2007 Shiffer et al.
 2008/0011762 A1 1/2008 Boone
 2008/0061069 A1 3/2008 Edelstein et al.
 2009/0266829 A1 * 10/2009 Bailey 220/713
 2009/0294459 A1 12/2009 Hovsepian et al.
 2009/0294460 A1 12/2009 Hovsepian et al.
 2011/0114655 A1 * 5/2011 Bailey 220/713
 2011/0266294 A1 11/2011 Charbonnet et al.

FOREIGN PATENT DOCUMENTS

GB 2307633 A 6/1997
 WO WO 96/39068 12/1996
 WO WO 2009/008587 A1 1/2009
 WO WO 2009/036426 A2 3/2009

OTHER PUBLICATIONS

Nicola, Edible Geography, The Evolution of Lids. (May 9, 2011),
<http://www.ediblegeography.com/the-evolution-of-lids/> (7 pages).
 Date unknown. Printed Nov. 15, 2013. Product Design (physical
 goods): Why is the Solo Traveler the dominant coffee cup lid? <http://www.quora.com/Product-Design-physical-goods/Why-is-the-Solo-Traveler-the-dominant-coffee-cup-lid/> (7 pages).
 US 6,003,721, 12/1999, Fleming (withdrawn)

* cited by examiner

FIG. 1

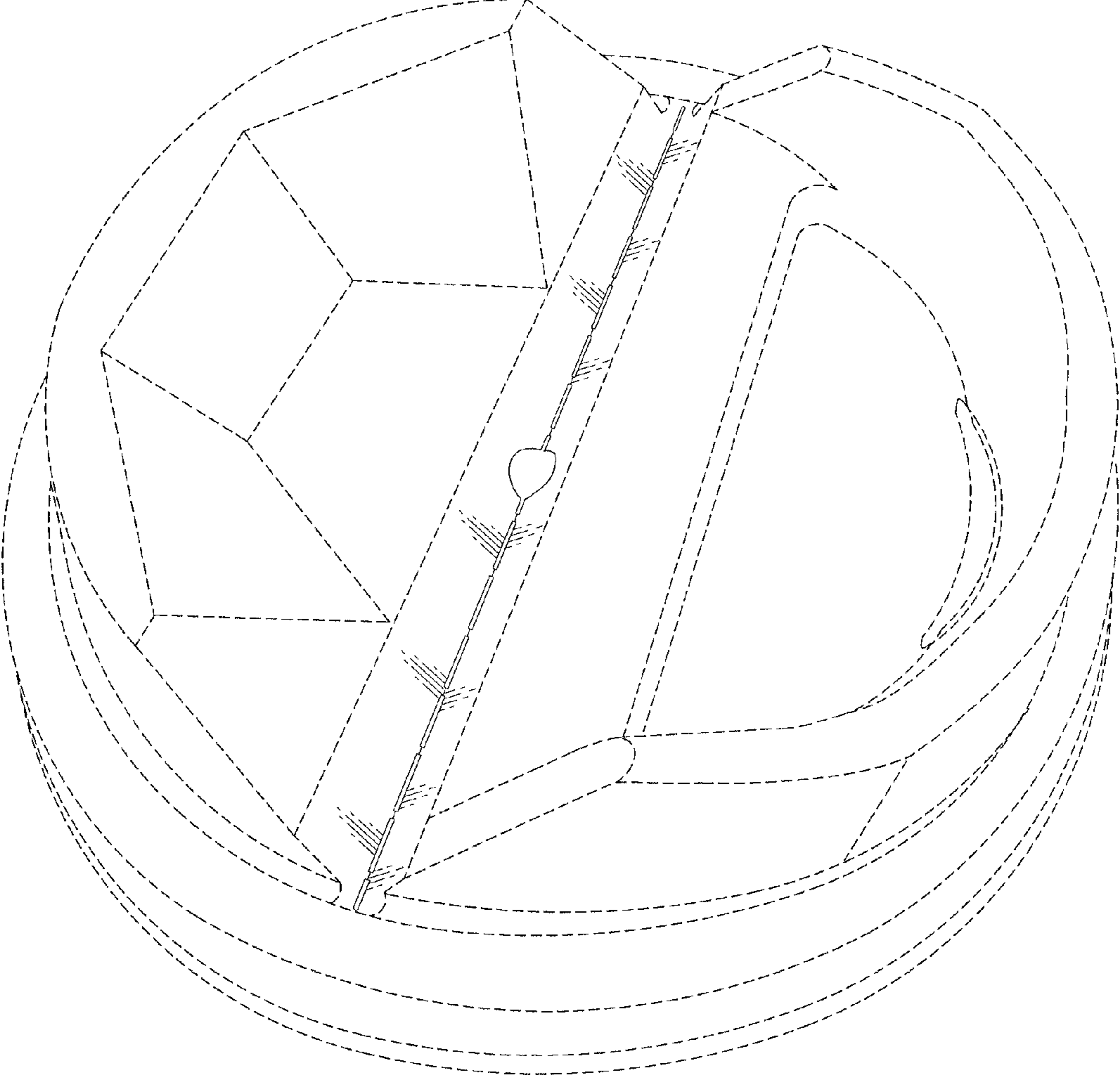


FIG. 2

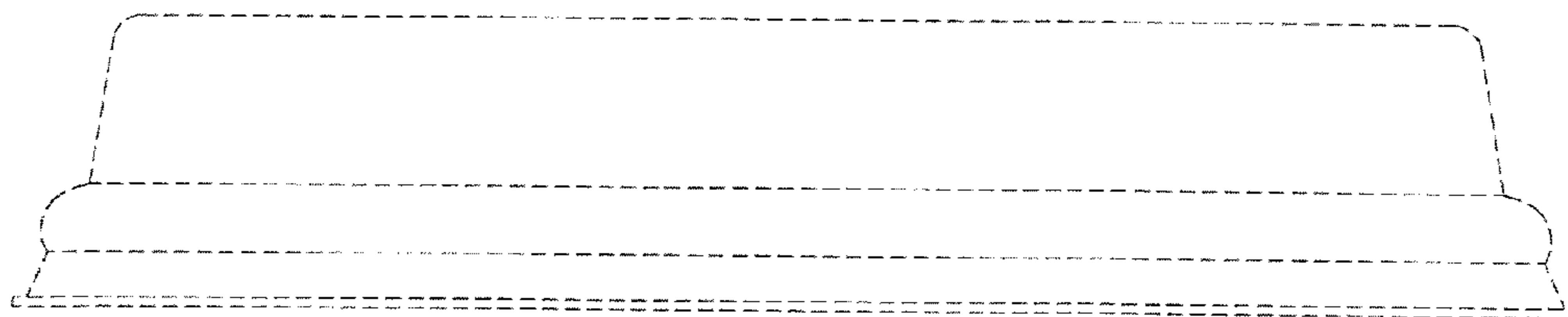


FIG. 3

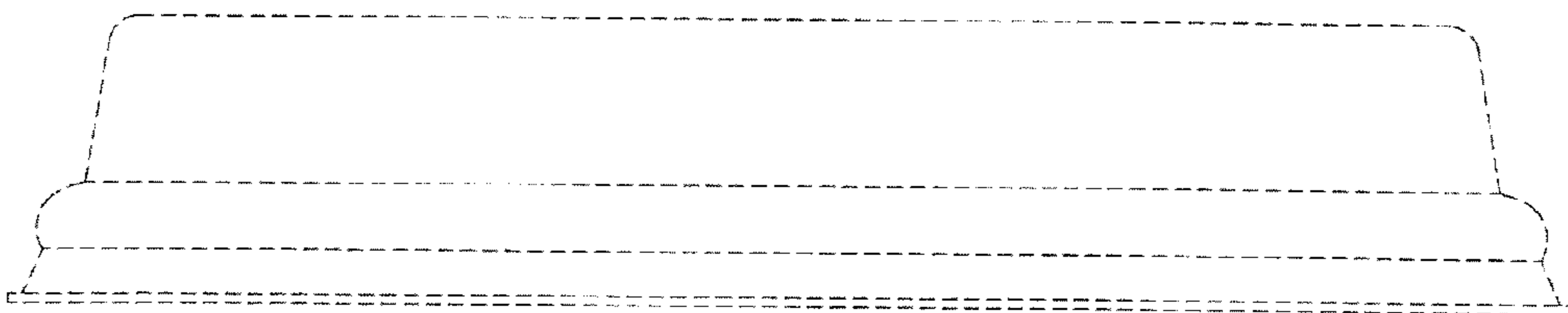


FIG. 4

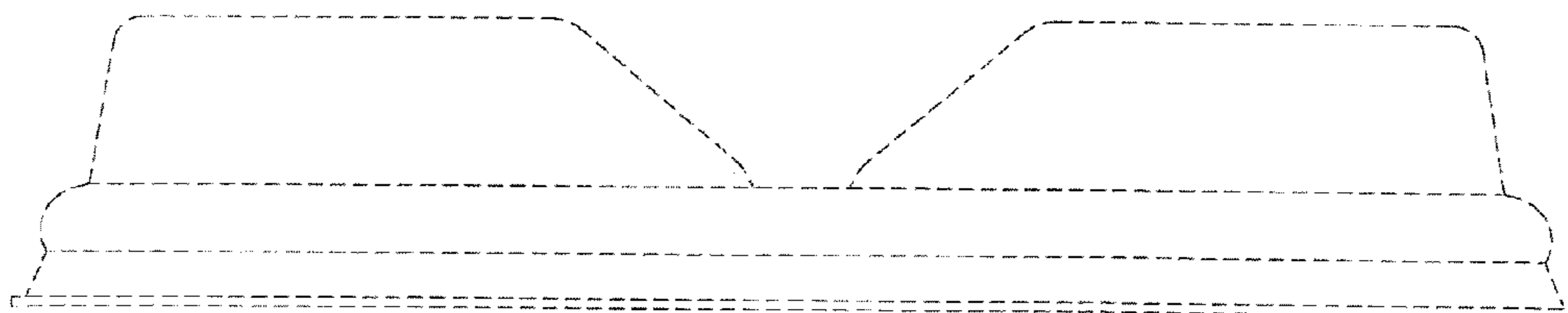


FIG. 5

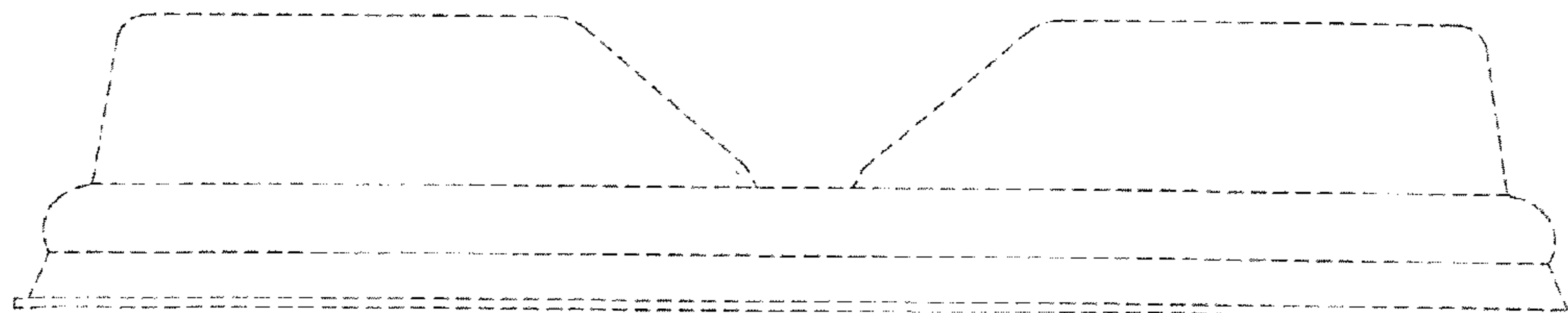


FIG. 6

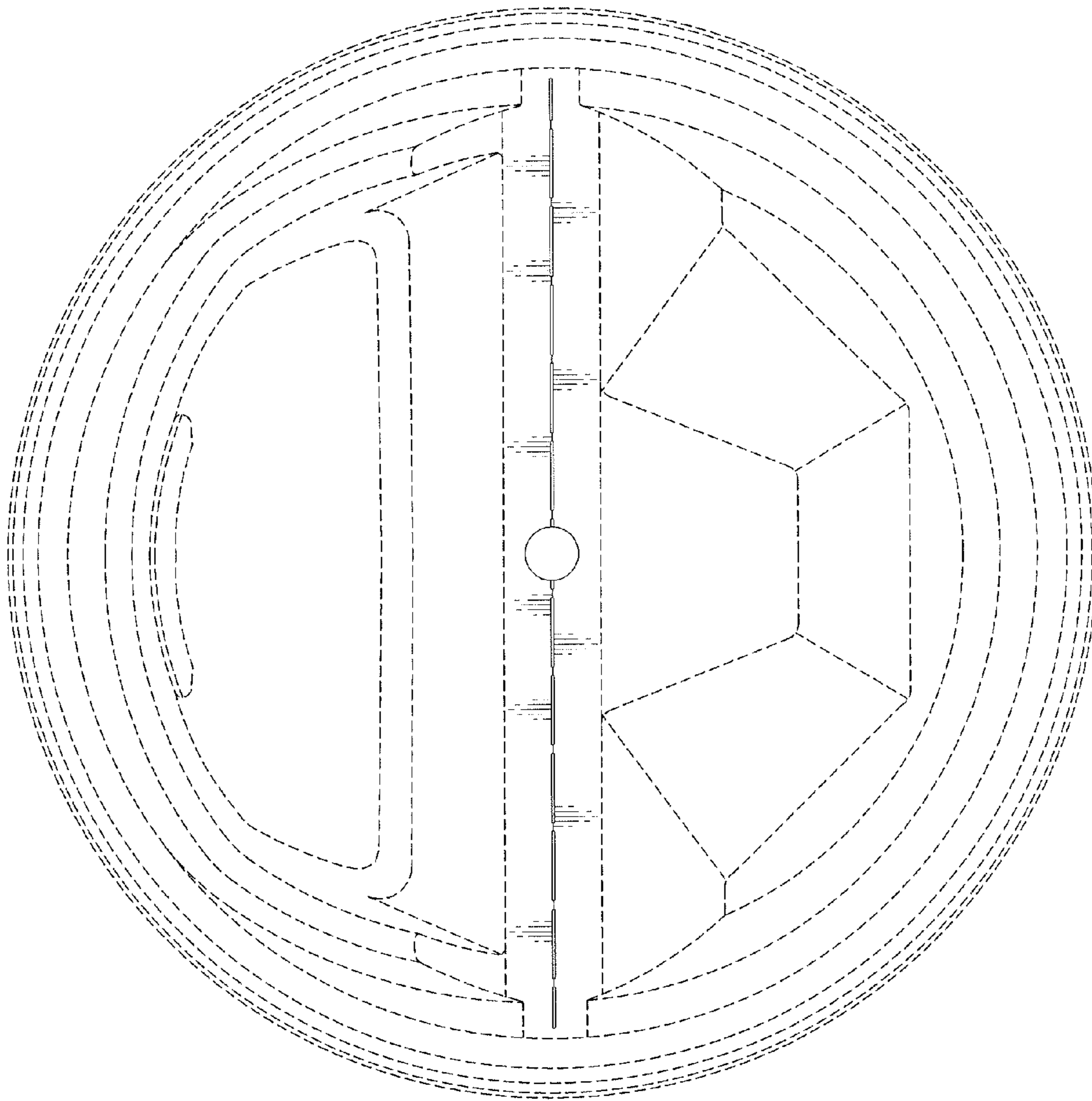
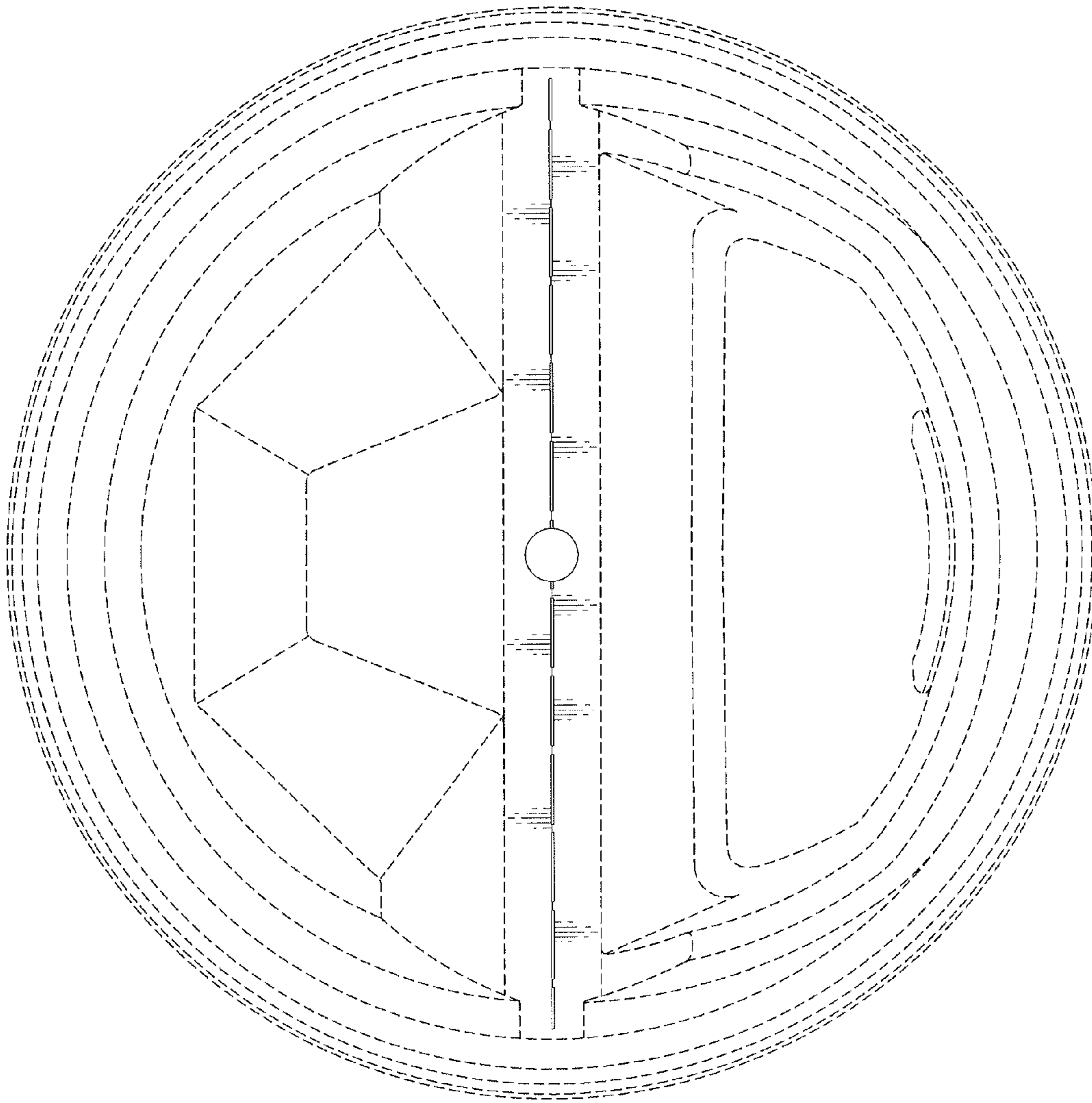


FIG. 7



UNITED STATES PATENT AND TRADEMARK OFFICE
CERTIFICATE OF CORRECTION

PATENT NO. : D711,226 S
APPLICATION NO. : 29/433172
DATED : August 19, 2014
INVENTOR(S) : Douglas H. Fleming

Page 1 of 1

It is certified that error appears in the above-identified patent and that said Letters Patent is hereby corrected as shown below:

On the Title Page

Item (56) under "References Cited, U.S. PATENT DOCUMENTS", add the following:

D345,673 S 04/1994 Dark

Signed and Sealed this
Eleventh Day of April, 2017



Michelle K. Lee
Director of the United States Patent and Trademark Office