



US00D711224S

(12) **United States Design Patent**
Guerrera

(10) **Patent No.:** **US D711,224 S**

(45) **Date of Patent:** **** *Aug. 19, 2014**

(54) **CONTAINER WITH INTERIOR CUTTING GUIDES**

D493,831 S * 8/2004 Levin et al. D19/35
D657,209 S * 4/2012 Getzinger et al. D7/698
2010/0001051 A1* 1/2010 Castiglioni et al. 229/103

(71) Applicant: **Christopher Guerrero**, Fairfield, CA (US)

* cited by examiner

(72) Inventor: **Christopher Guerrero**, Fairfield, CA (US)

Primary Examiner — Susan Bennett Hattan

Assistant Examiner — Brett Miller

(*) Notice: This patent is subject to a terminal disclaimer.

(74) *Attorney, Agent, or Firm* — West & Associates, A PC; Stuart J. West; Shaun Sluman

(**) Term: **14 Years**

(57) **CLAIM**

The ornamental design for a container with interior cutting guides, as shown and described.

(21) Appl. No.: **29/449,100**

DESCRIPTION

(22) Filed: **Mar. 14, 2013**

(51) **LOC (10) Cl.** **09-03**

(52) **U.S. Cl.**

USPC **D9/433**; D9/434

(58) **Field of Classification Search**

USPC D9/414, 420, 423, 430–434; D7/698, D7/673; D19/37, 64, 40; 229/103; 269/289 R, 302.1; 33/476, 709

See application file for complete search history.

FIG. 1 depicts a front view of the container with interior cutting guides. The broken lines form no part of the design and depict environmental subject matter. Stippling indicates the relative surfaces and boundaries of the claimed design. The claimed subject matter extends to the boundary but does not include the boundary.

FIG. 2 depicts an isometric view of the container with interior cutting guides. The broken lines form no part of the design and depict environmental subject matter. Stippling indicates the relative surfaces and boundaries of the claimed design. The claimed subject matter extends to the boundary but does not include the boundary; and,

FIG. 3 depicts a top view of the container with interior cutting guides. The broken lines form no part of the design and depict environmental subject matter. Stippling indicates the relative surfaces and boundaries of the claimed design.

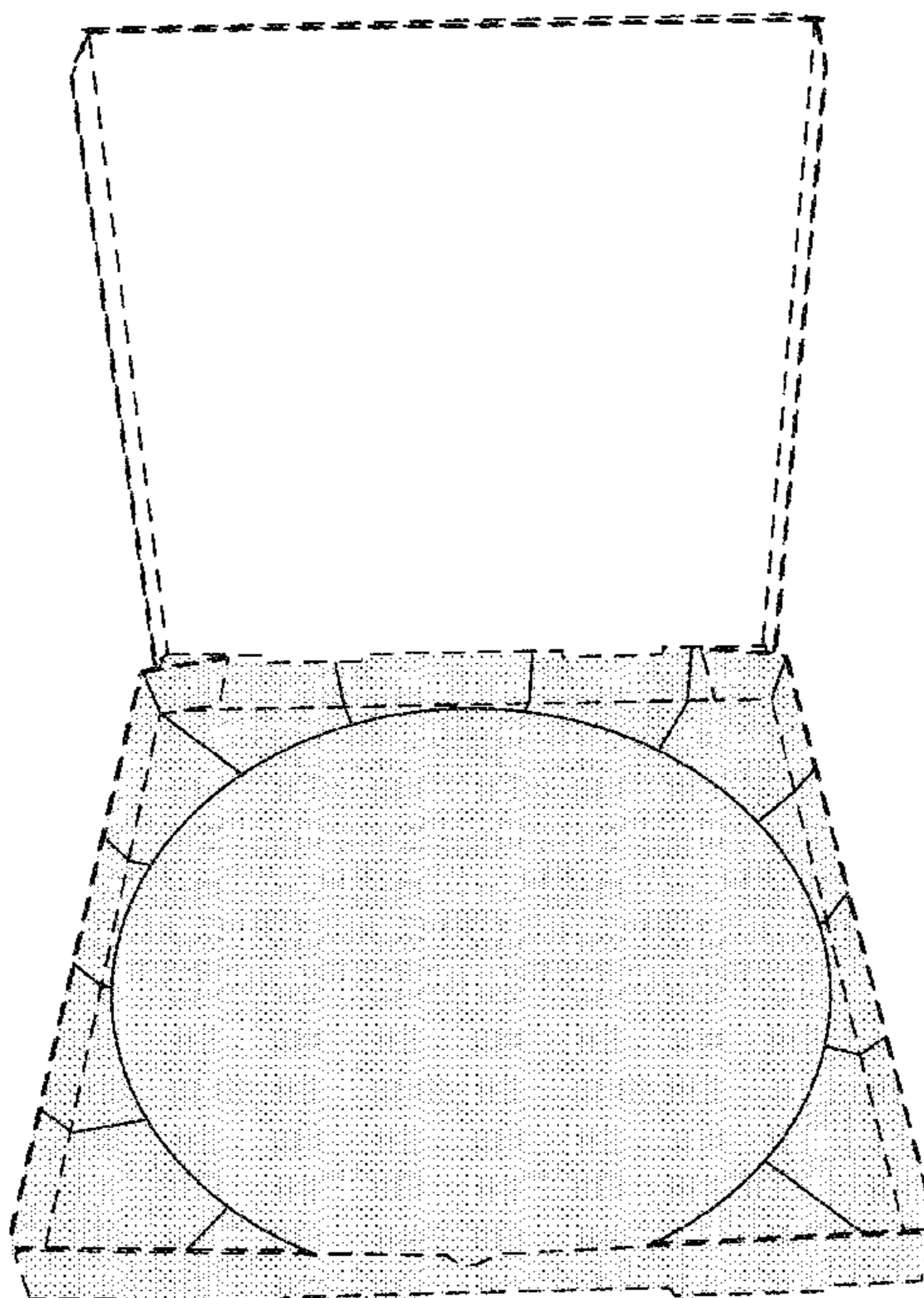
The claimed subject matter extends to the boundary but does not include the boundary.

(56) **References Cited**

U.S. PATENT DOCUMENTS

D114,471 S *	4/1939	Rosenbeg	D7/673
3,513,552 A *	5/1970	Lagrosse	33/476
3,771,713 A *	11/1973	Davidson	229/120.12
D331,524 S *	12/1992	Buday	D7/673
5,386,654 A *	2/1995	Kroenke	38/141
5,472,139 A	12/1995	Valdman et al.		
D368,657 S *	4/1996	Newell	D9/432
D390,110 S *	2/1998	Mario	D9/433

1 Claim, 3 Drawing Sheets



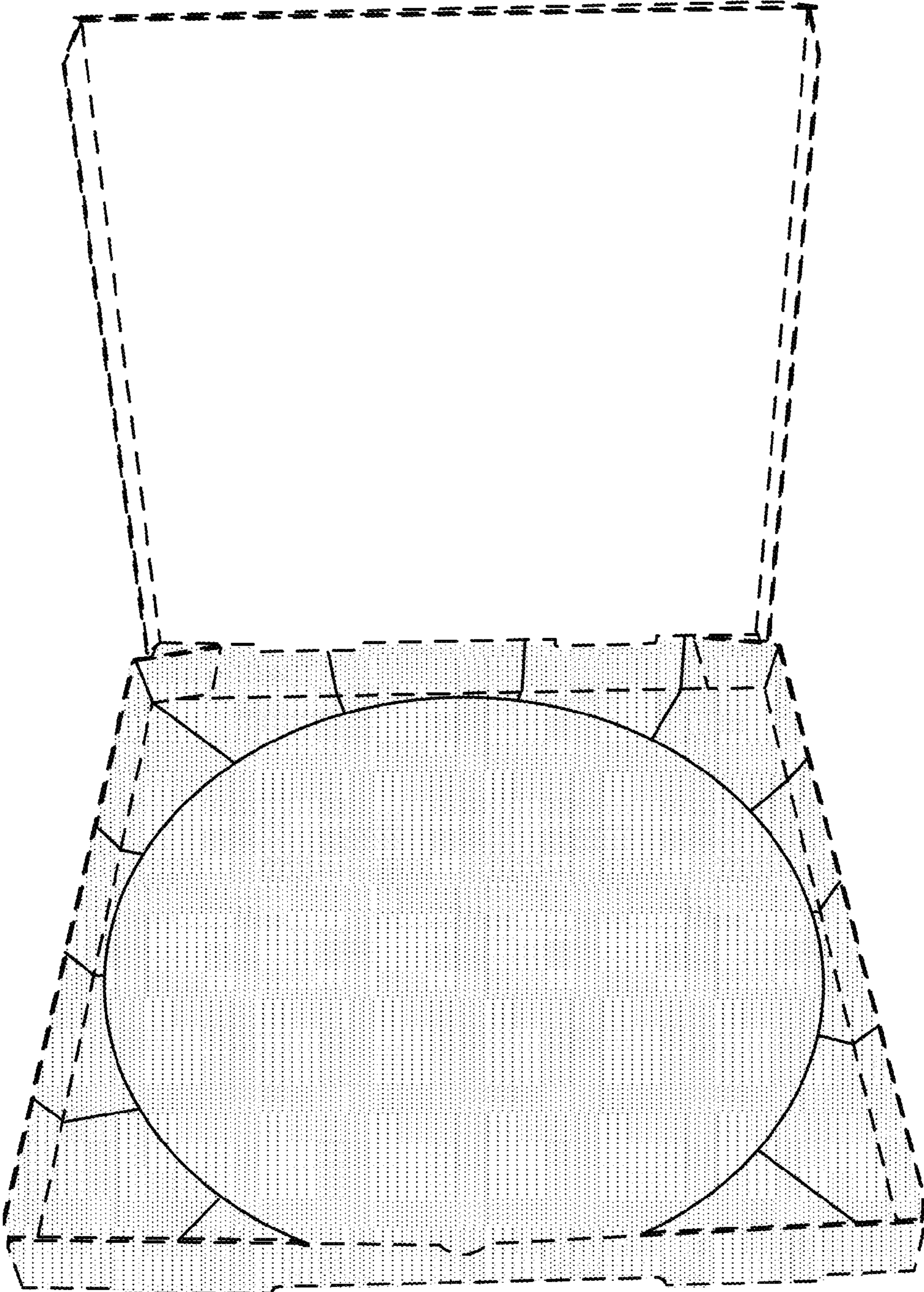


FIG. 1

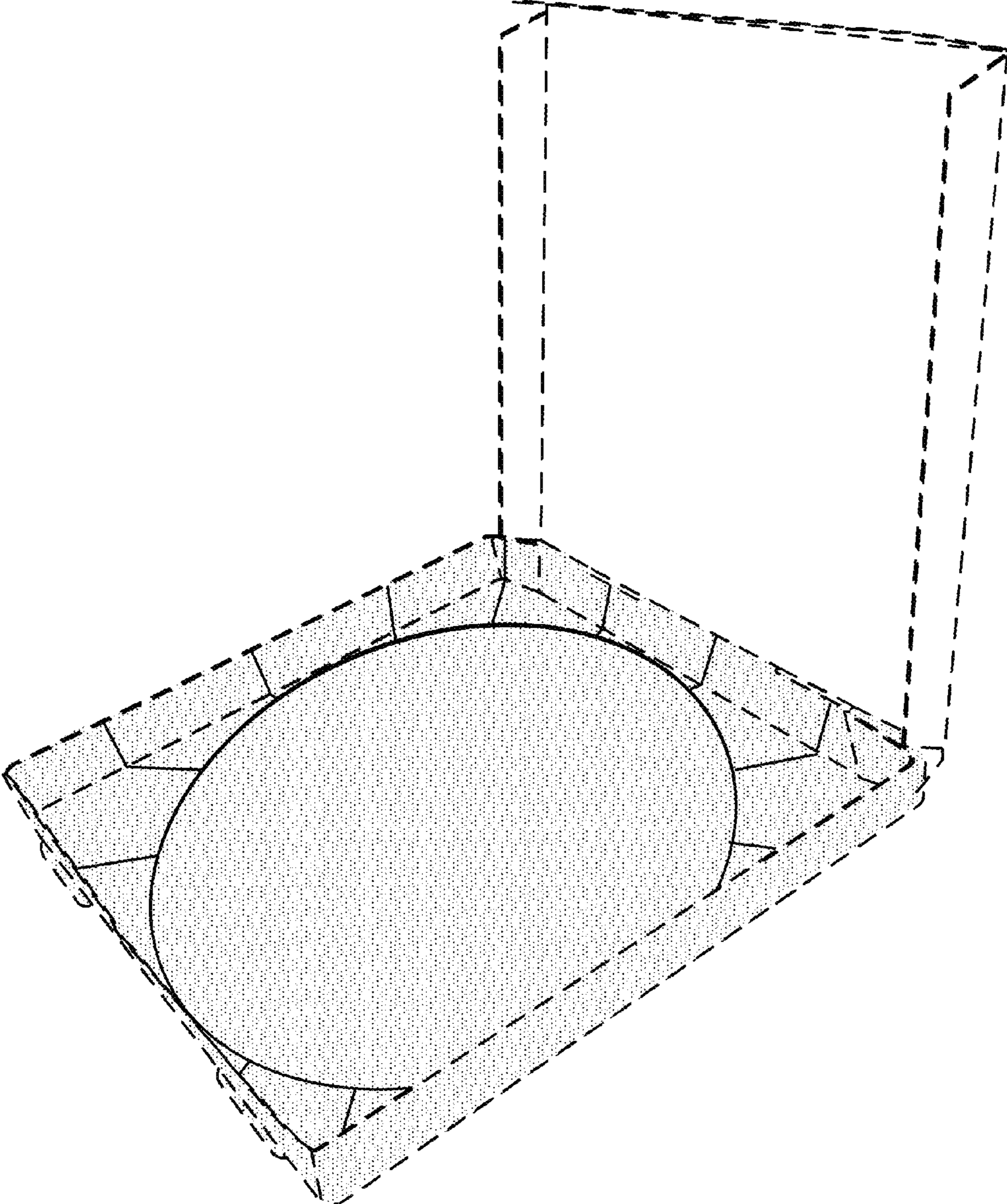


FIG. 2

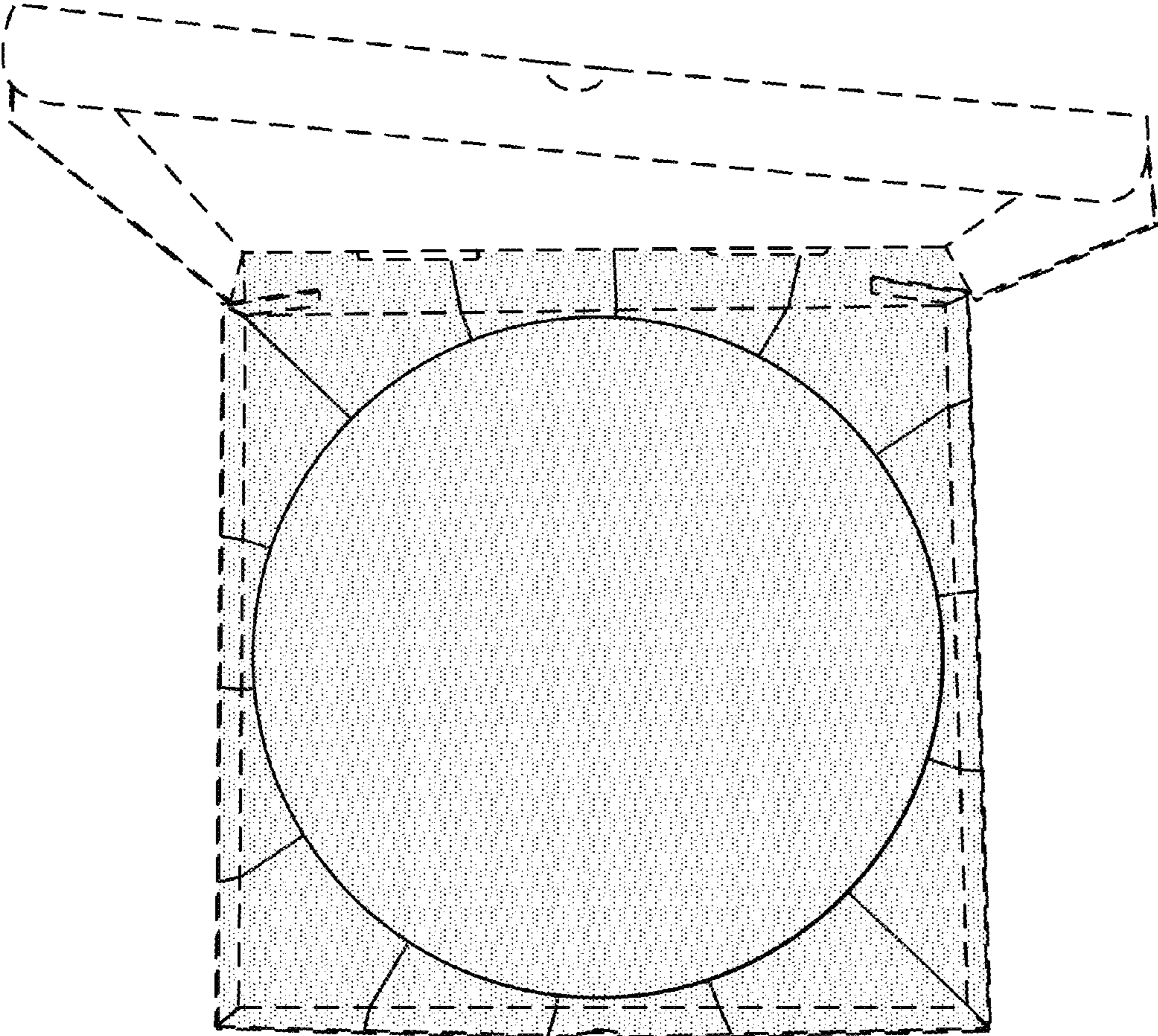


FIG. 3