



US00D711219S

(12) **United States Design Patent**
Palsson

(10) **Patent No.:** **US D711,219 S**

(45) **Date of Patent:** **** Aug. 19, 2014**

(54) **BLISTER PACKAGE**

229/117.08, 117.17, 120; 220/703, 660,
220/662

(71) Applicant: **Sandvik Intellectual Property AB,**
Sandviken (SE)

See application file for complete search history.

(72) Inventor: **Claes Palsson,** Gavle (SE)

(56) **References Cited**

(73) Assignee: **Sandvik Intellectual Property AB,**
Sandviken (SE)

U.S. PATENT DOCUMENTS

(**) Term: **14 Years**

D323,109	S	*	1/1992	Kalvelage	D9/732
D370,503	S	*	6/1996	Burns	D21/500
D387,977	S	*	12/1997	Kallgren	D9/732
6,576,307	B2	*	6/2003	Otsu et al.	428/35.7
D485,942	S	*	1/2004	McLeish	D28/8.1
D537,735	S	*	3/2007	Fountoulakis	D9/756
D560,490	S	*	1/2008	Kirk et al.	D9/732

(21) Appl. No.: **29/441,384**

(Continued)

(22) Filed: **Jan. 4, 2013**

Primary Examiner — Ian Simmons

Assistant Examiner — Rhea Shields

(30) **Foreign Application Priority Data**

Jul. 5, 2012 (EM) 01333686-0001
Jul. 5, 2012 (EM) 001333686-0002

(74) *Attorney, Agent, or Firm* — Corinne R. Gorski

(51) **LOC (10) Cl.** **09-03**

(57) **CLAIM**

The ornamental design of a blister package, as shown and described.

(52) **U.S. Cl.**
USPC **D9/415**

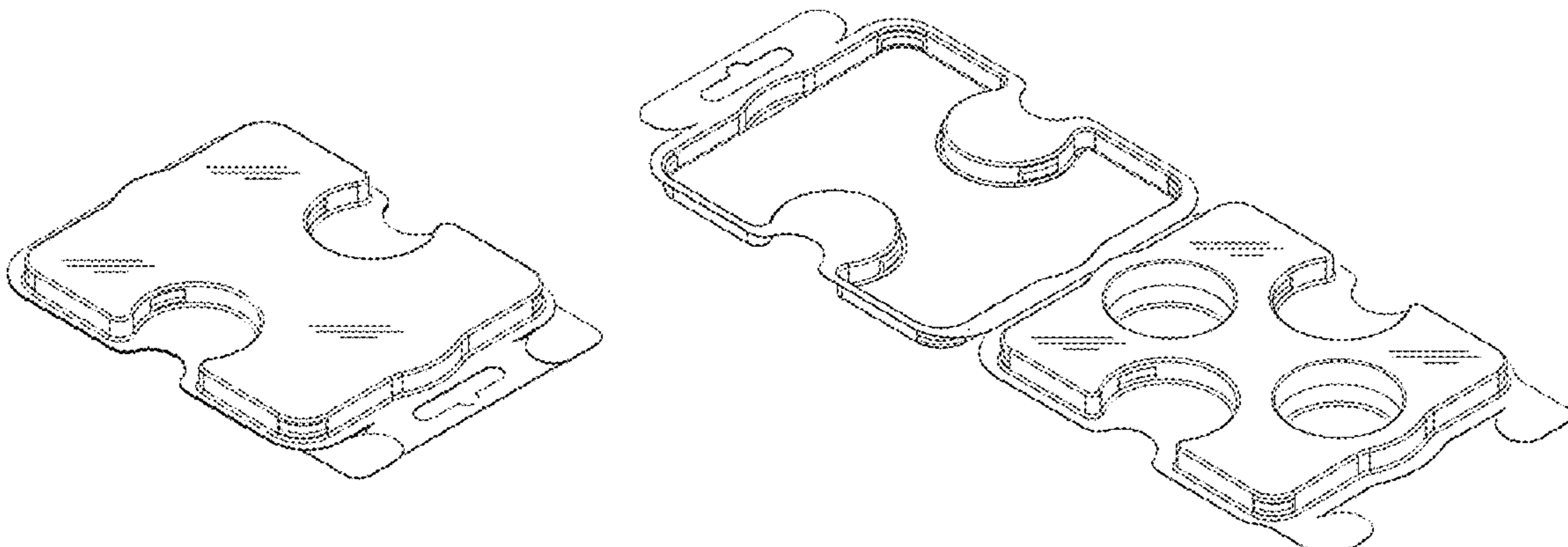
DESCRIPTION

(58) **Field of Classification Search**

CPC ... B65D 83/0445; B65D 75/327; B65D 85/42
USPC D9/346, 414–418, 424, 425, 423,
D9/428–436, 445, 452–457, 499, 500, 504,
D9/516, 519, 522, 529, 535, 537, 545, 551,
D9/571, 672, 675, 702, 711, 715, 721, 722,
D9/737, 748, 759, 740, 743, 745, 749, 756,
D9/718, 713, 712, 546, 618, 635, 680;
D3/201, 246, 258, 212, 276; D7/400,
D7/404, 405, 415; 206/769, 773–778, 395,
206/397–98, 223, 736, 756, 495, 349, 760,
206/541, 784; 229/162.1, 162.3, 162.7,
229/107, 122, 395, 938, 902, 409, 125.05,
229/116.1, 8, 22, 132, 131.1, 160, 125.15,
229/122.27, 122.31, 123, 241, 172, 174,
229/185.1, 120.04, 120.13, 120.14, 120.23,
229/87.06, 82.3, 103.3, 104, 114, 117,

FIG. 1 is a perspective view the top of a blister package shown in a closed position;
FIG. 2 is a perspective view of a bottom thereof;
FIG. 3 is a top view of the top thereof;
FIG. 4 is a top view of the bottom thereof;
FIG. 5 is a front view of the top thereof;
FIG. 6 is a front view of the bottom thereof;
FIG. 7 is a side view of the top thereof; and
FIG. 8 is a side view of the bottom thereof.
FIG. 9 is a top plan view of the blister package shown in an open position; as referenced in FIG. 1.
FIG. 10 is a bottom view thereof;
FIG. 11 is a side view thereof;
FIG. 12 is another side view thereof; and,
FIG. 13 is a perspective view thereof.

1 Claim, 3 Drawing Sheets



US D711,219 S

Page 2

(56)

References Cited

U.S. PATENT DOCUMENTS

D588,471 S * 3/2009 Fluegel et al. D9/732
D595,094 S * 6/2009 Vernes et al. D7/553.4

D597,418 S * 8/2009 Stojek D9/732
D649,885 S * 12/2011 Stuber et al. D9/732
D694,585 S * 12/2013 Matsumoto et al. D7/505
2012/0160862 A1* 6/2012 Gutierrez 221/1

* cited by examiner

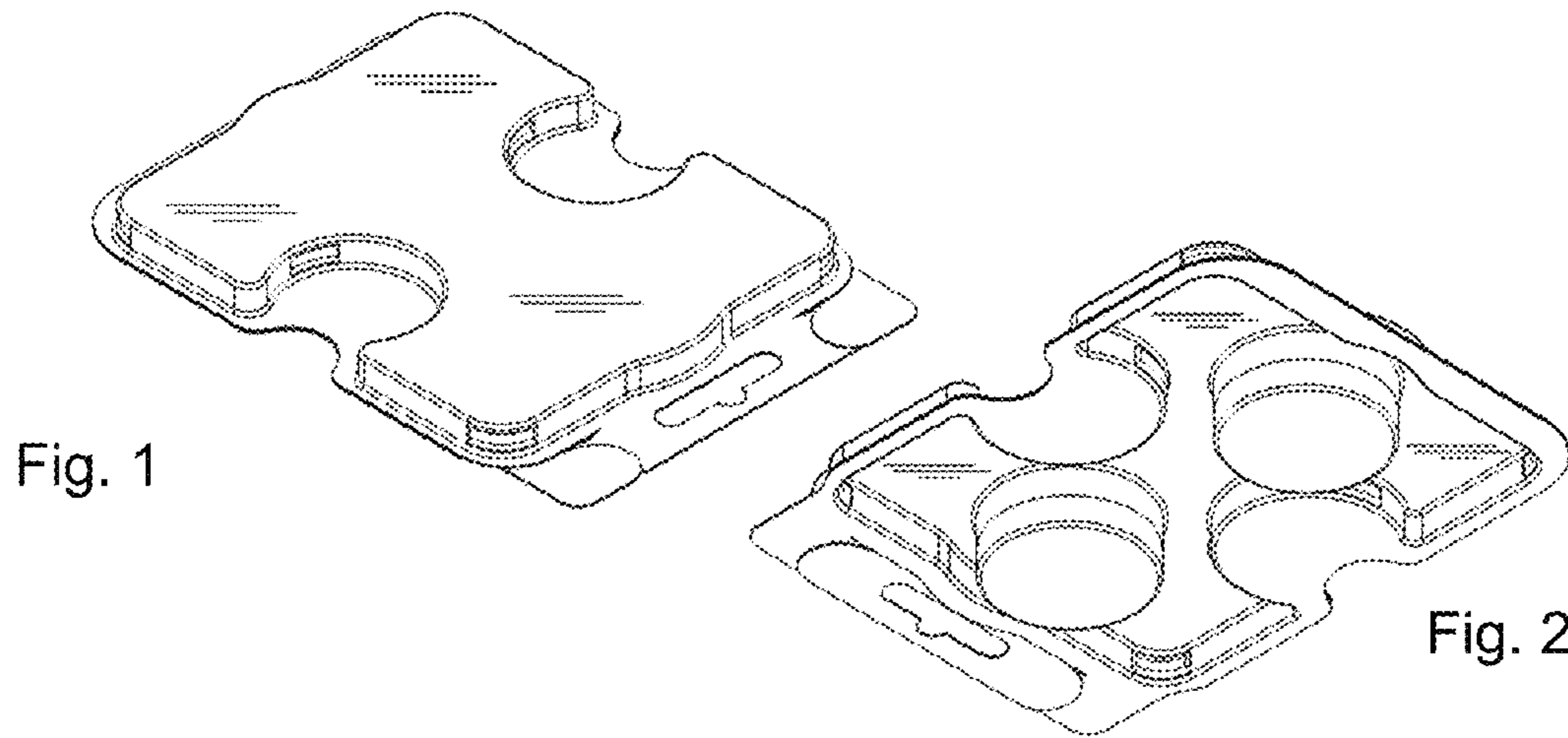


Fig. 1

Fig. 2

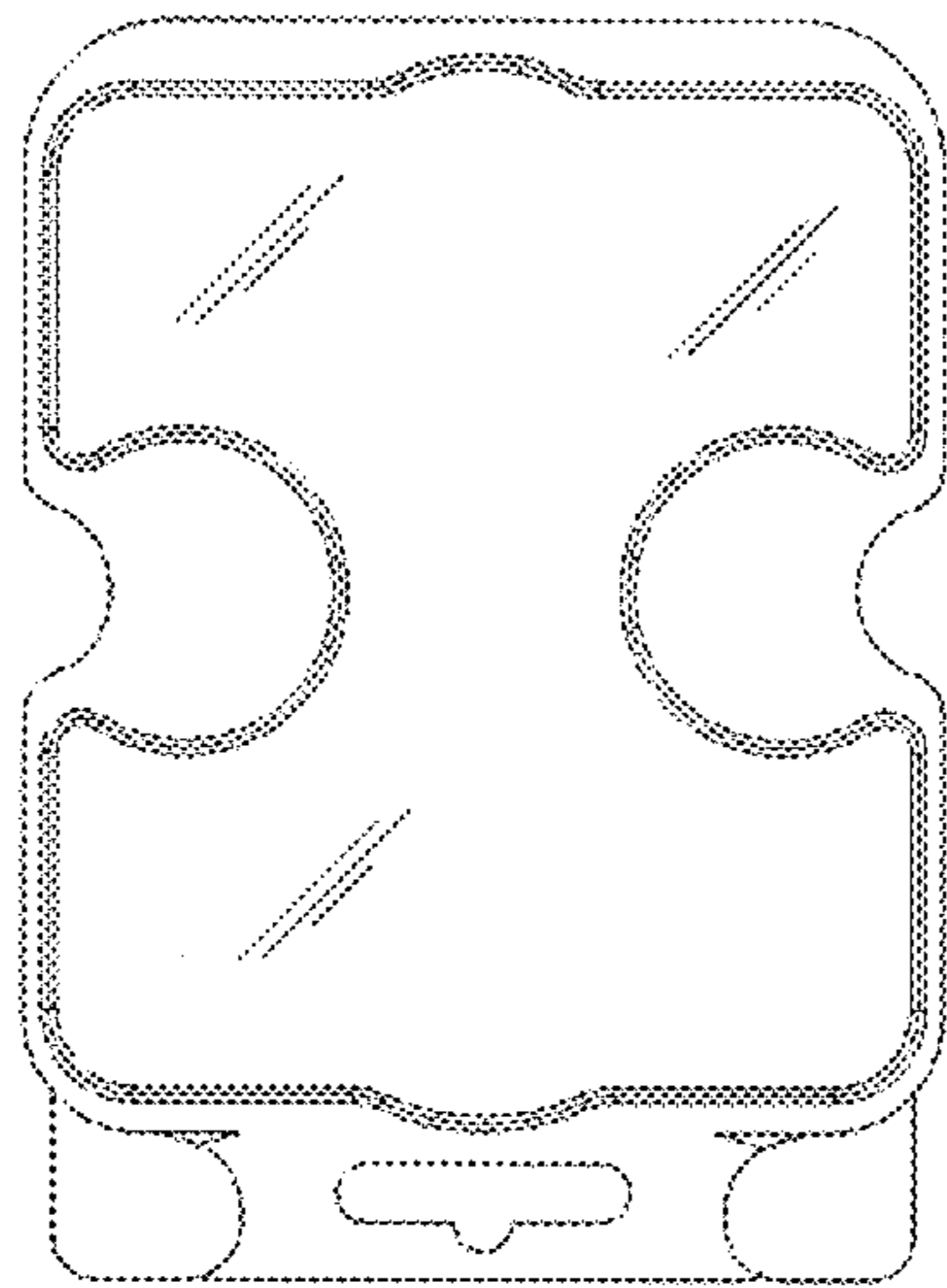


Fig. 3

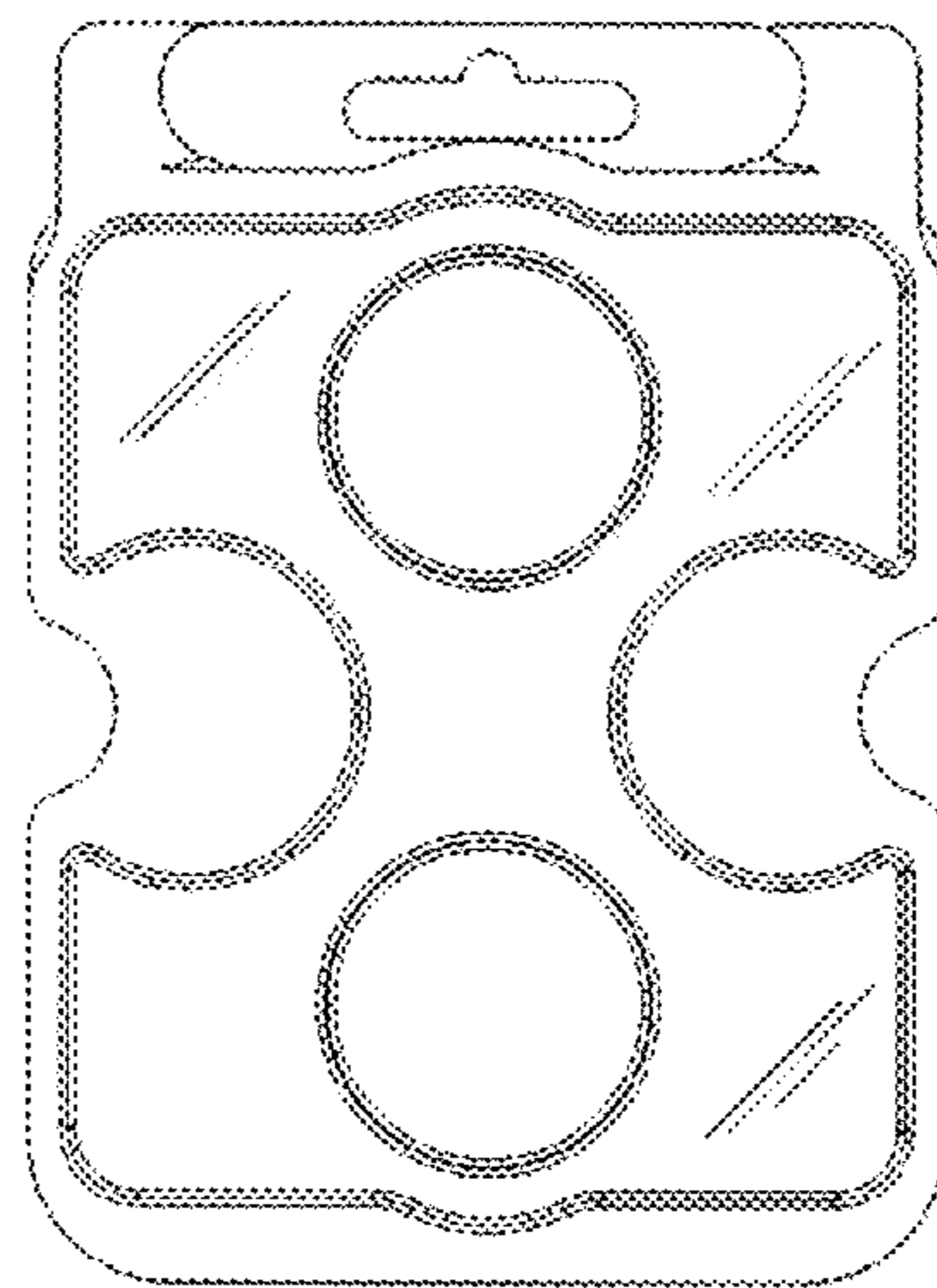


Fig. 4

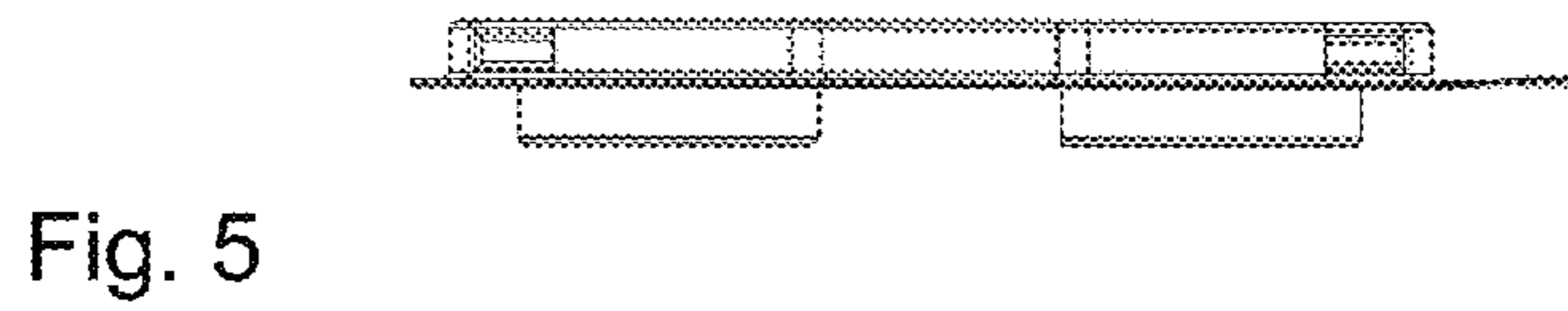


Fig. 5

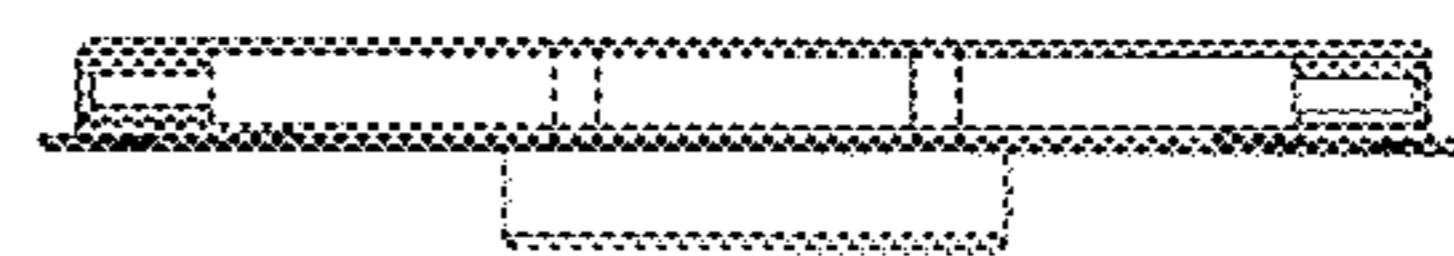


Fig. 6

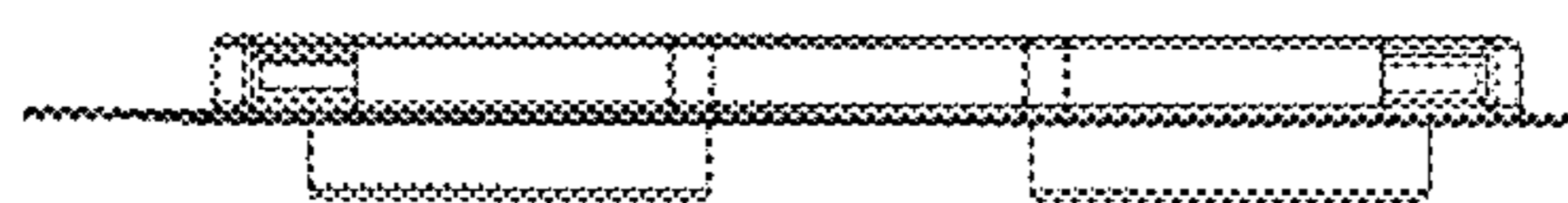


Fig. 7

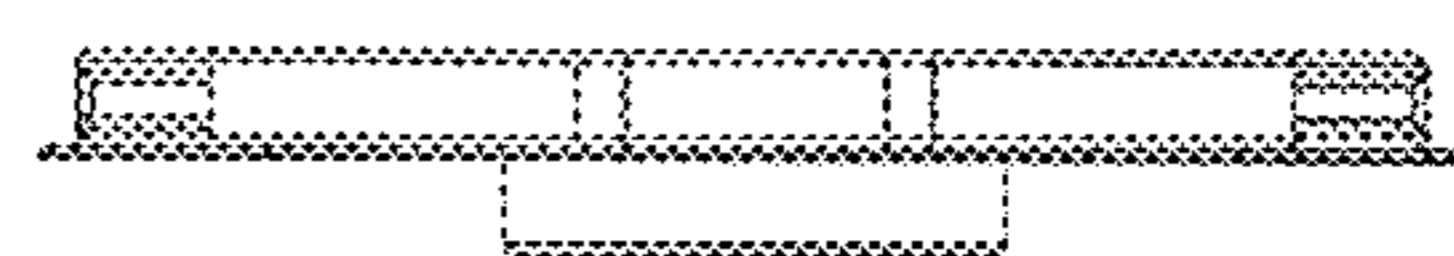


Fig. 8

Fig. 9

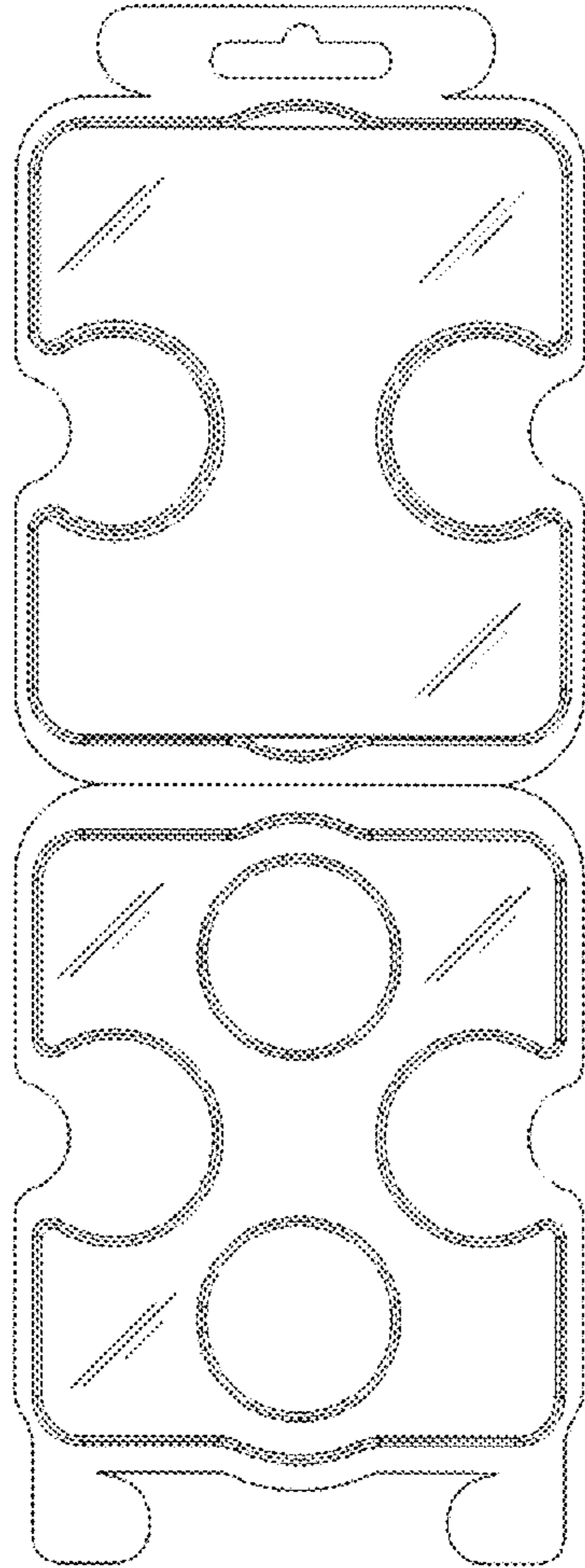


Fig. 10

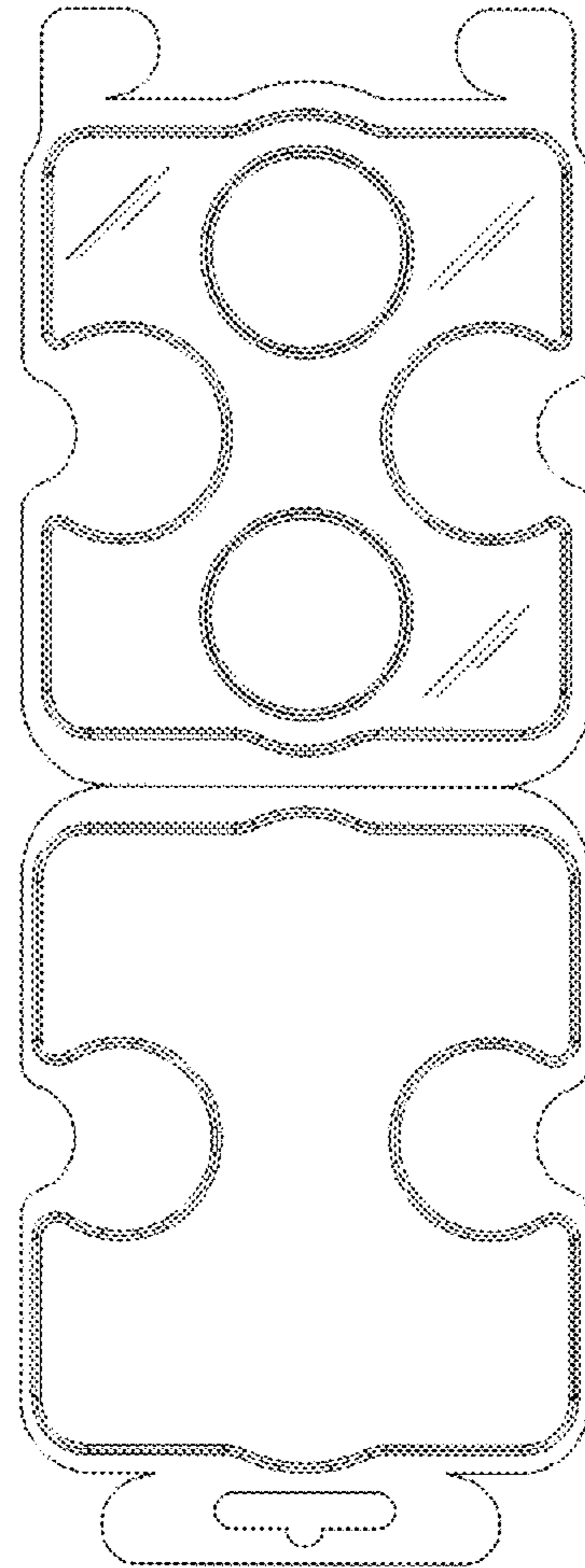


Fig. 11



Fig. 12

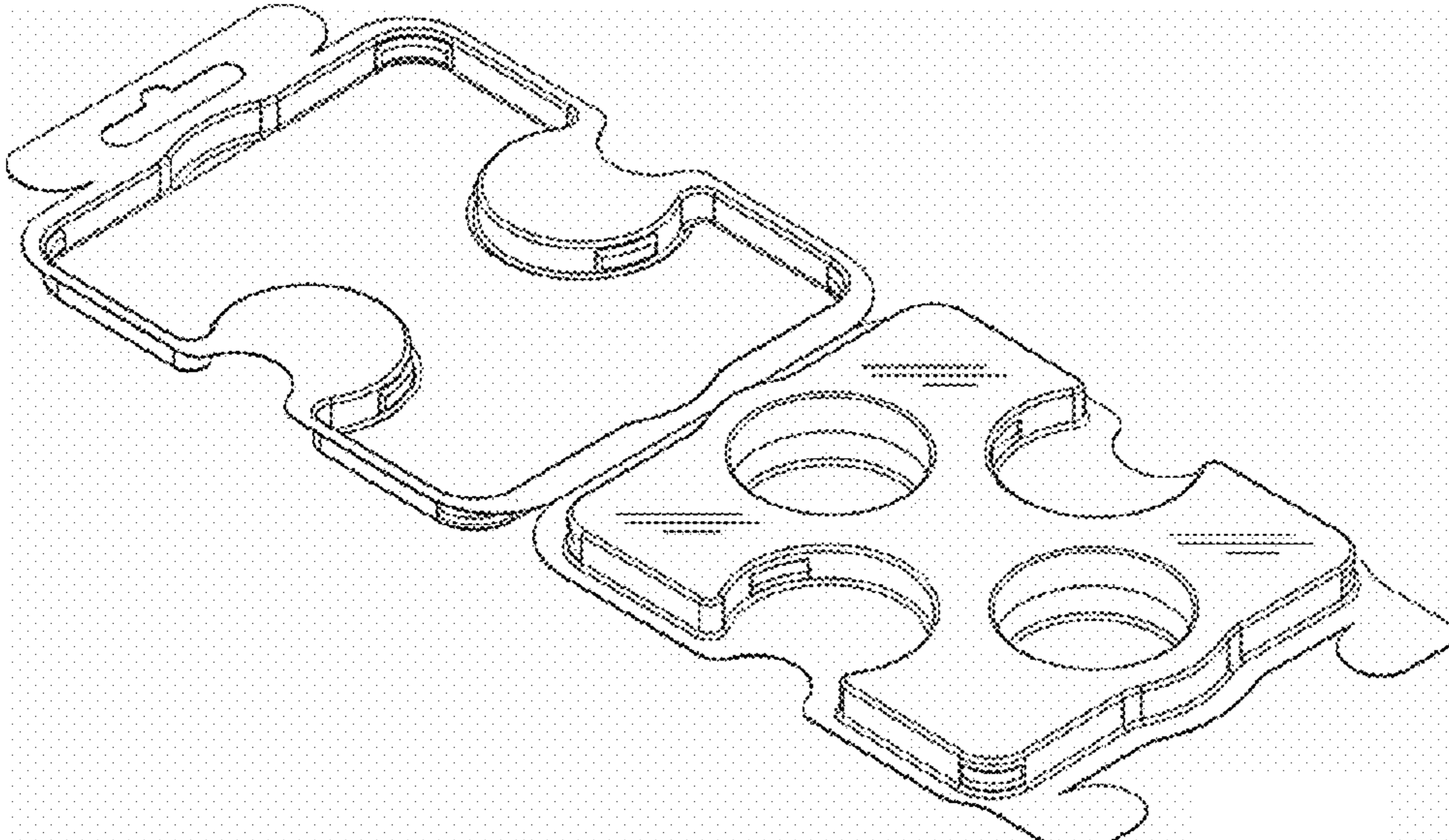


Fig. 13