



US00D711216S

(12) **United States Design Patent**
Monteleone et al.

(10) **Patent No.:** **US D711,216 S**

(45) **Date of Patent:** **** Aug. 19, 2014**

(54) **TACK**

(71) Applicant: **ACCO Brands Corporation**, Lake Zurich, IL (US)

(72) Inventors: **Andrew A. Monteleone**, Chicago, IL (US); **Brian F. Moy**, St. Paul, MN (US); **Stephen P. Corr**, Gurnee, IL (US)

(73) Assignee: **ACCO Brands Corporation**, Lake Zurich, IL (US)

(**) Term: **14 Years**

(21) Appl. No.: **29/479,137**

(22) Filed: **Jan. 13, 2014**

(51) **LOC (10) Cl.** **08-08**

(52) **U.S. Cl.**
USPC **D8/395**

(58) **Field of Classification Search**
USPC D8/394-396, 72, 367, 373; D19/56, 65, D19/86; 24/67.3; D32/60-64; D28/40
See application file for complete search history.

(56) **References Cited**

U.S. PATENT DOCUMENTS

D307,218 S * 4/1990 Arnold D6/328
D500,603 S * 1/2005 Lambert D6/326

D512,906 S * 12/2005 Wood D8/395
D571,179 S * 6/2008 Ahlgren D8/72
D599,651 S * 9/2009 Riggsbee D8/395
7,591,092 B2 * 9/2009 Wolf 40/310
D611,334 S * 3/2010 Lambert D8/395
D614,945 S * 5/2010 Chiu D8/395
D645,969 S * 9/2011 Del Solar et al. D24/194
D667,724 S * 9/2012 Mangano D8/395

* cited by examiner

Primary Examiner — John Windmuller

(74) *Attorney, Agent, or Firm* — Michael Best & Friedrich LLP

(57) **CLAIM**

We claim the ornamental design for a tack, as shown and described.

DESCRIPTION

FIG. 1 is a perspective view of a tack, showing our new design.

FIG. 2 is a front view of the tack shown in FIG. 1.

FIG. 3 is a rear view of the tack shown in FIG. 1.

FIG. 4 is a right side view of the tack shown in FIG. 1.

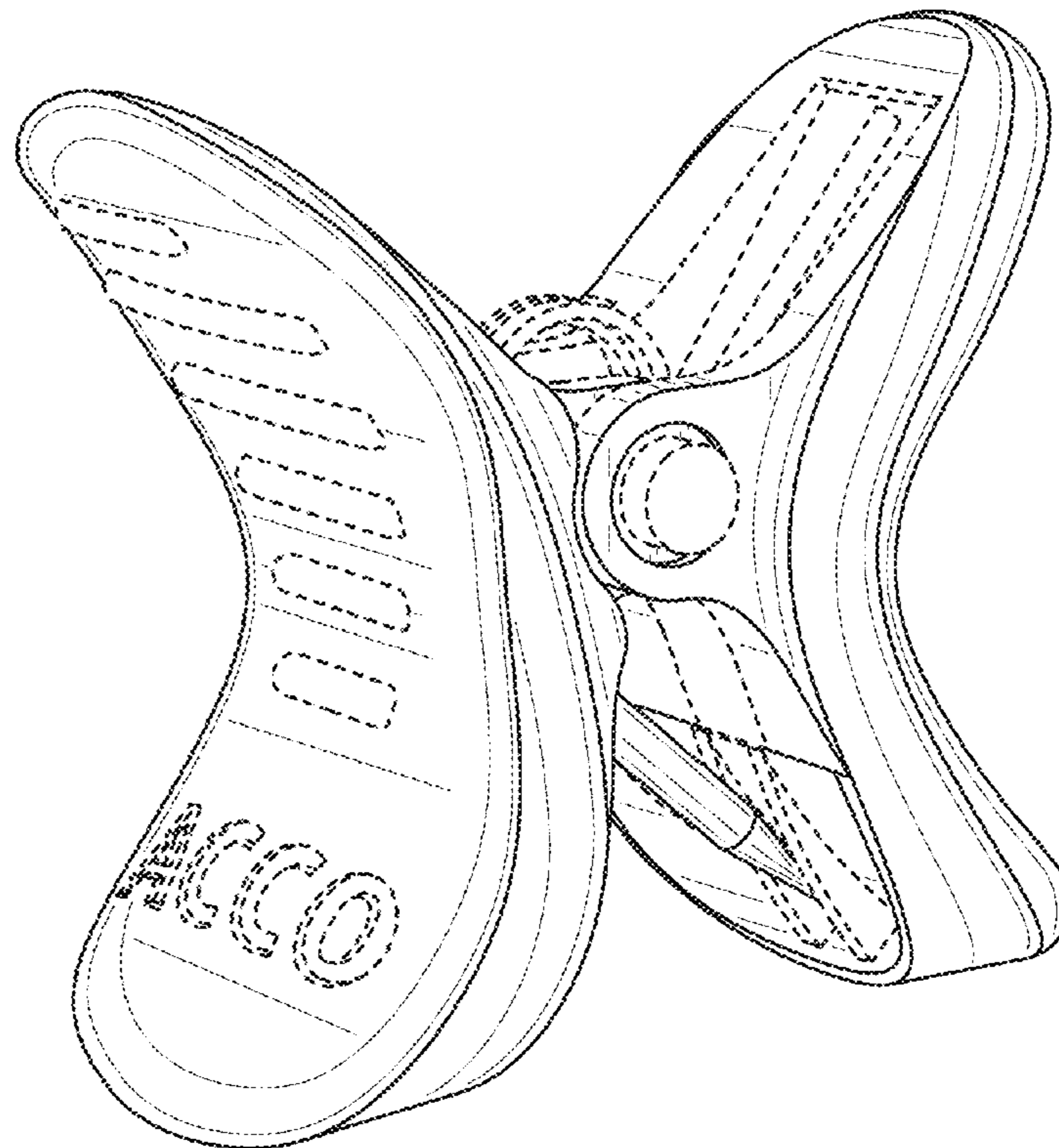
FIG. 5 is a left side view of the tack shown in FIG. 1.

FIG. 6 is a top view of the tack shown in FIG. 1; and,

FIG. 7 is a bottom view of the tack shown in FIG. 1.

Portions of the tack shown in broken lines form no part of the claimed design.

1 Claim, 5 Drawing Sheets



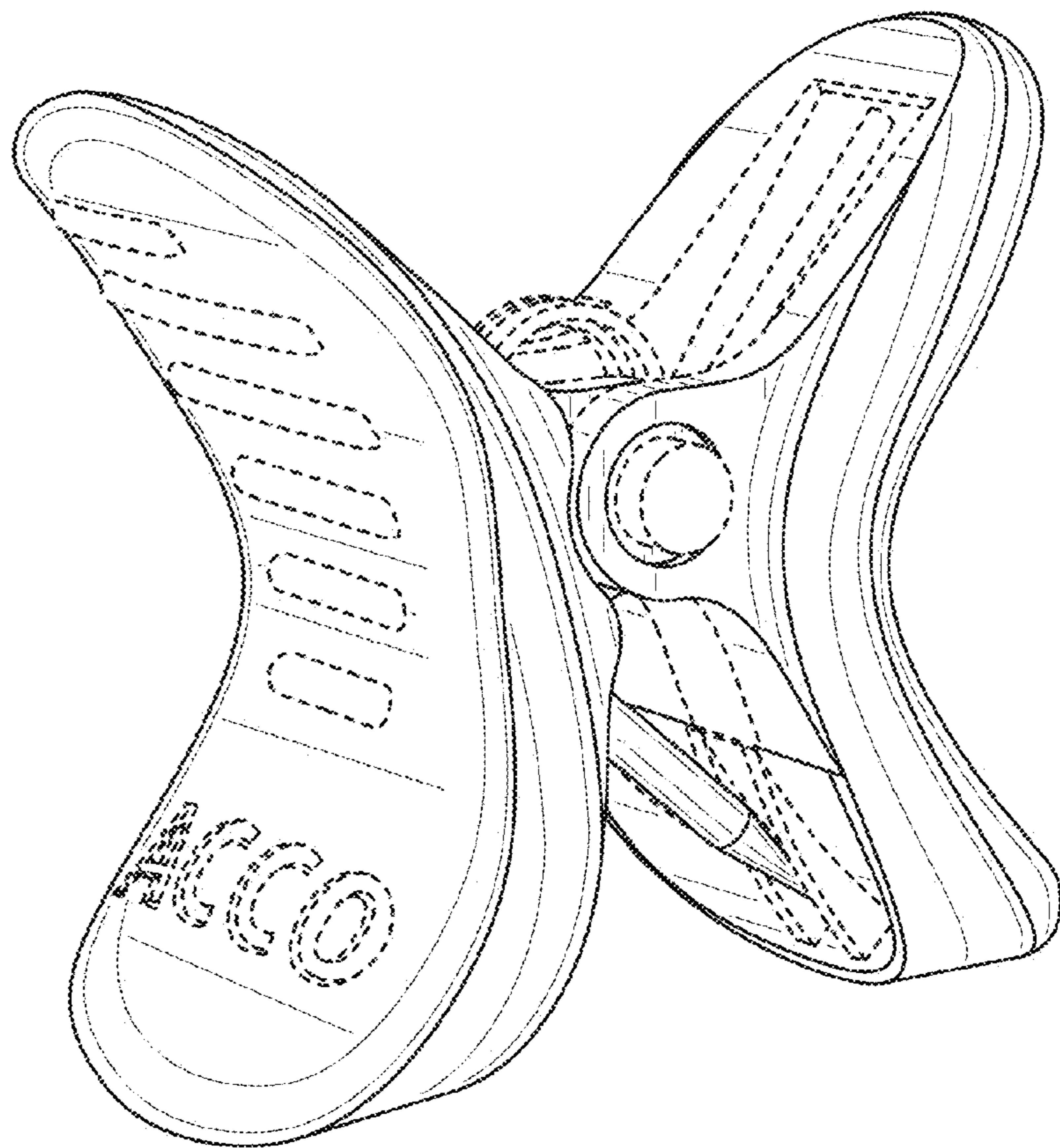


FIG. 1

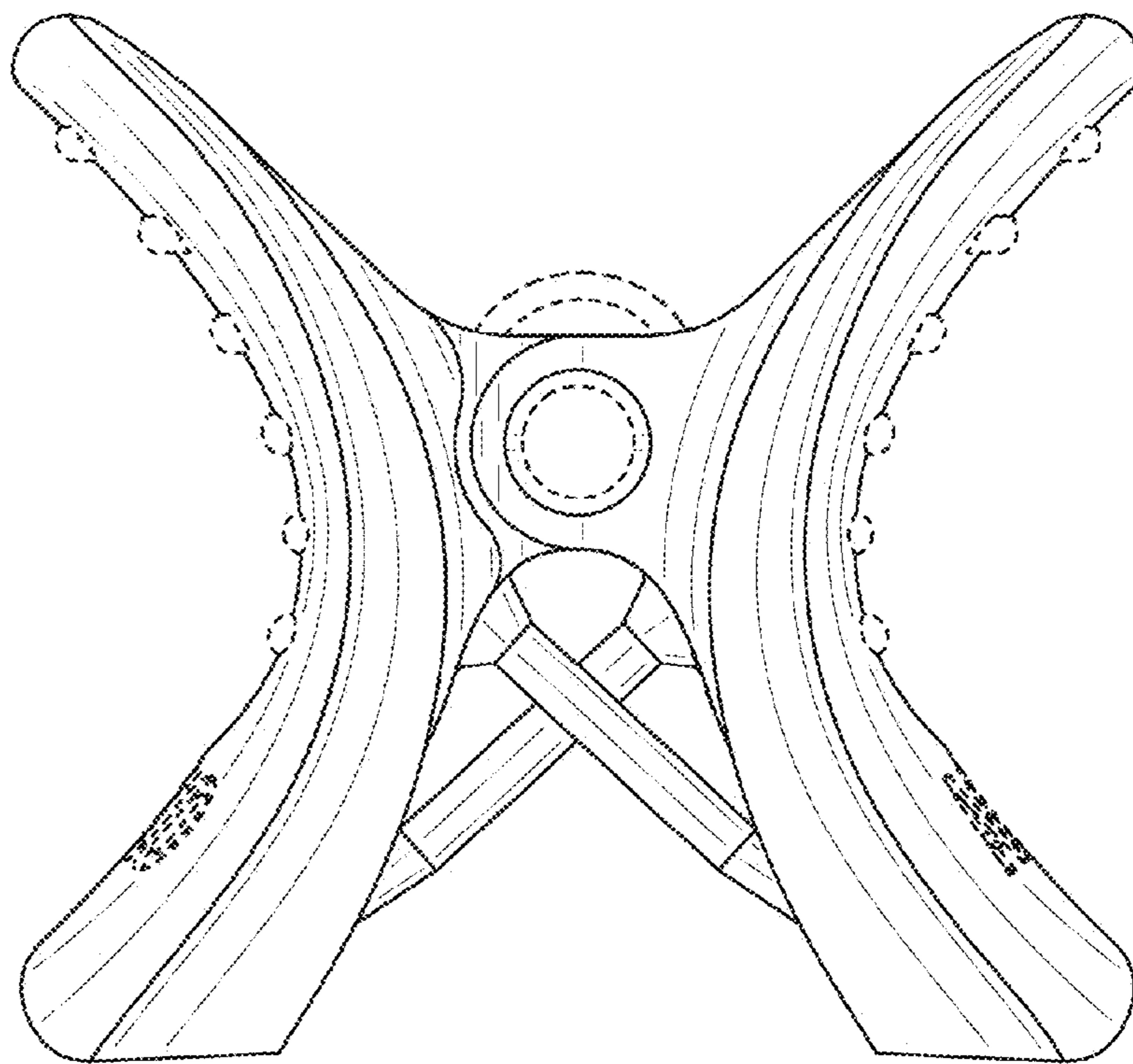


FIG. 2

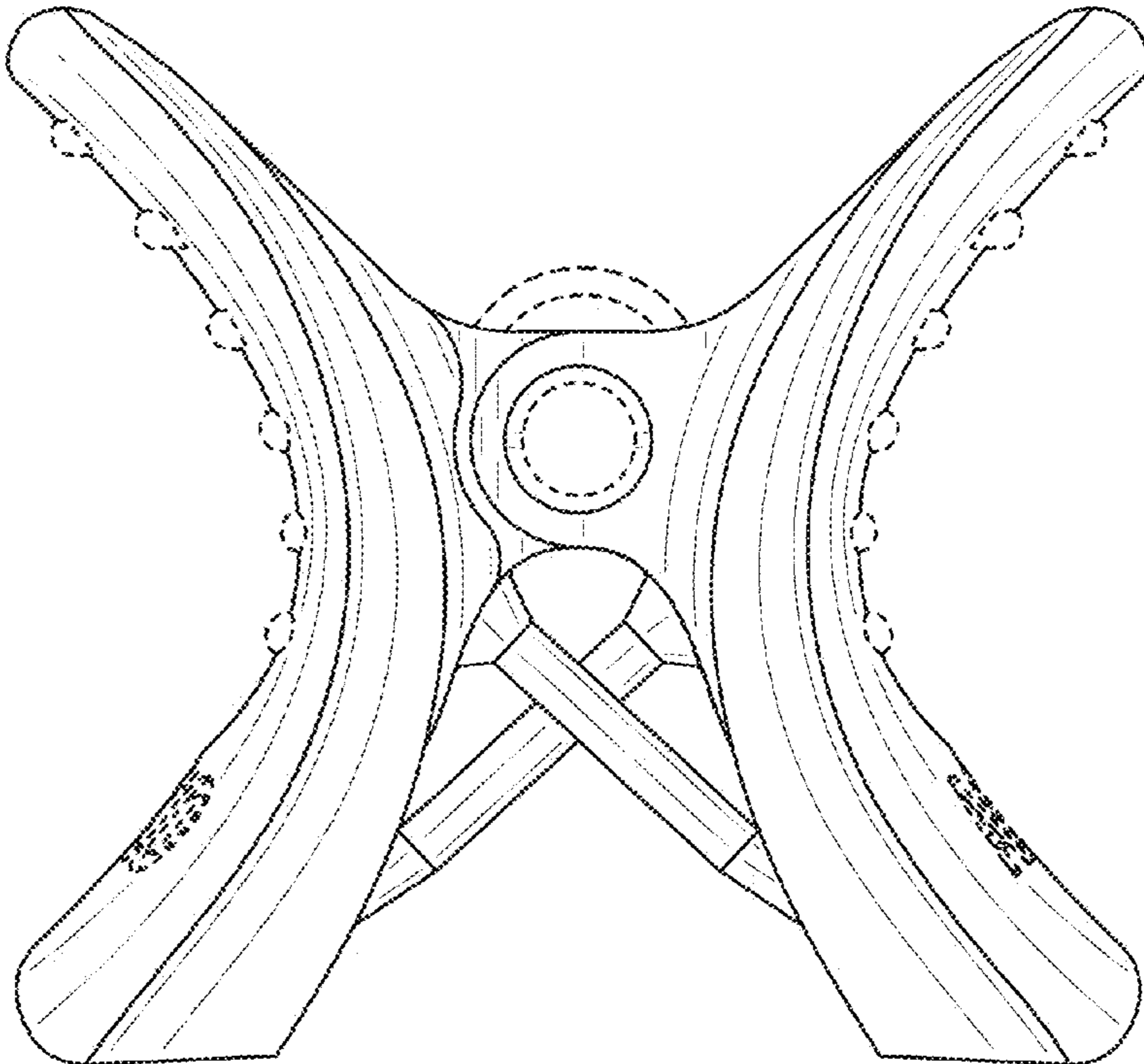


FIG. 3

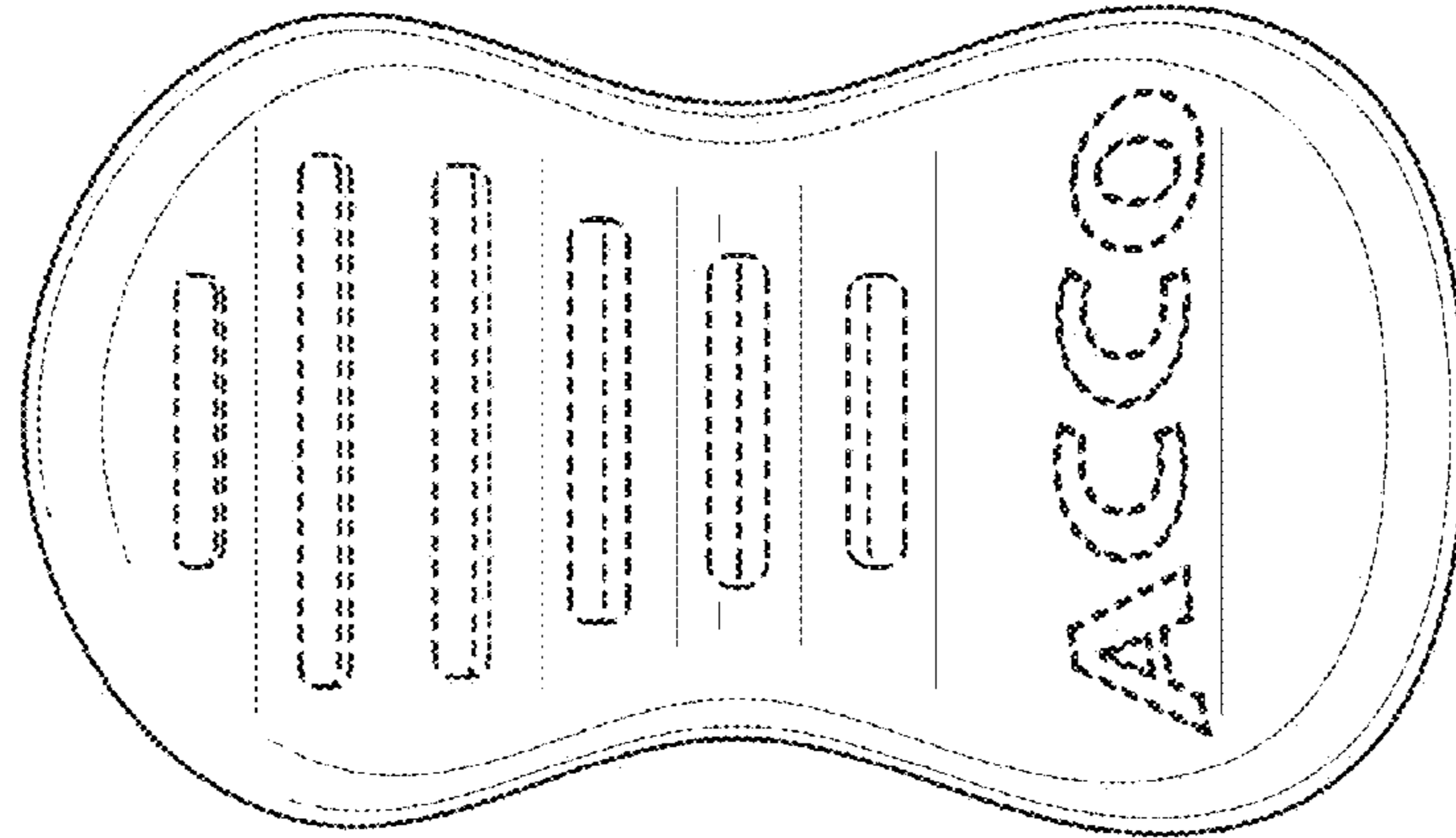


FIG. 5

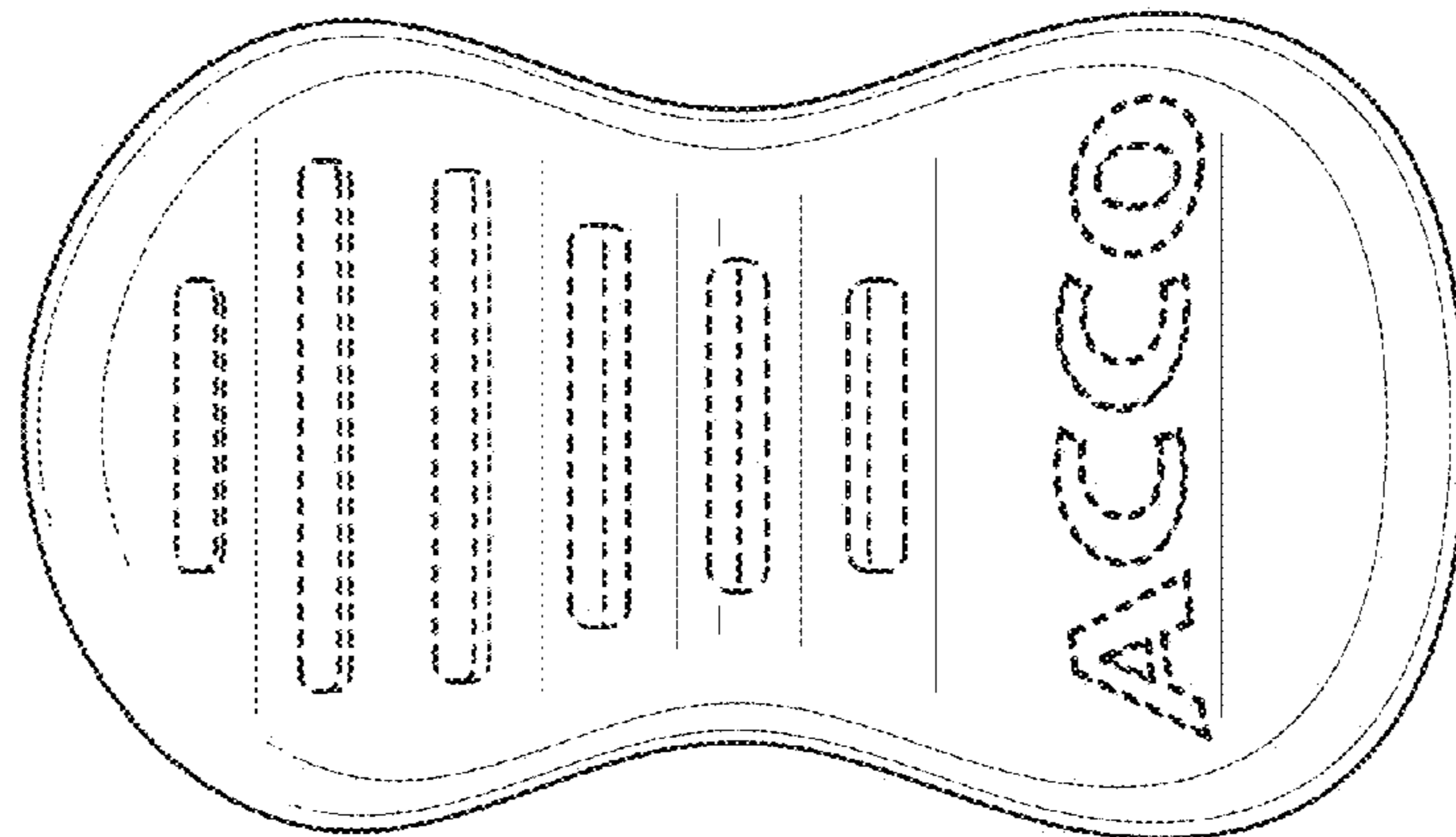


FIG. 4

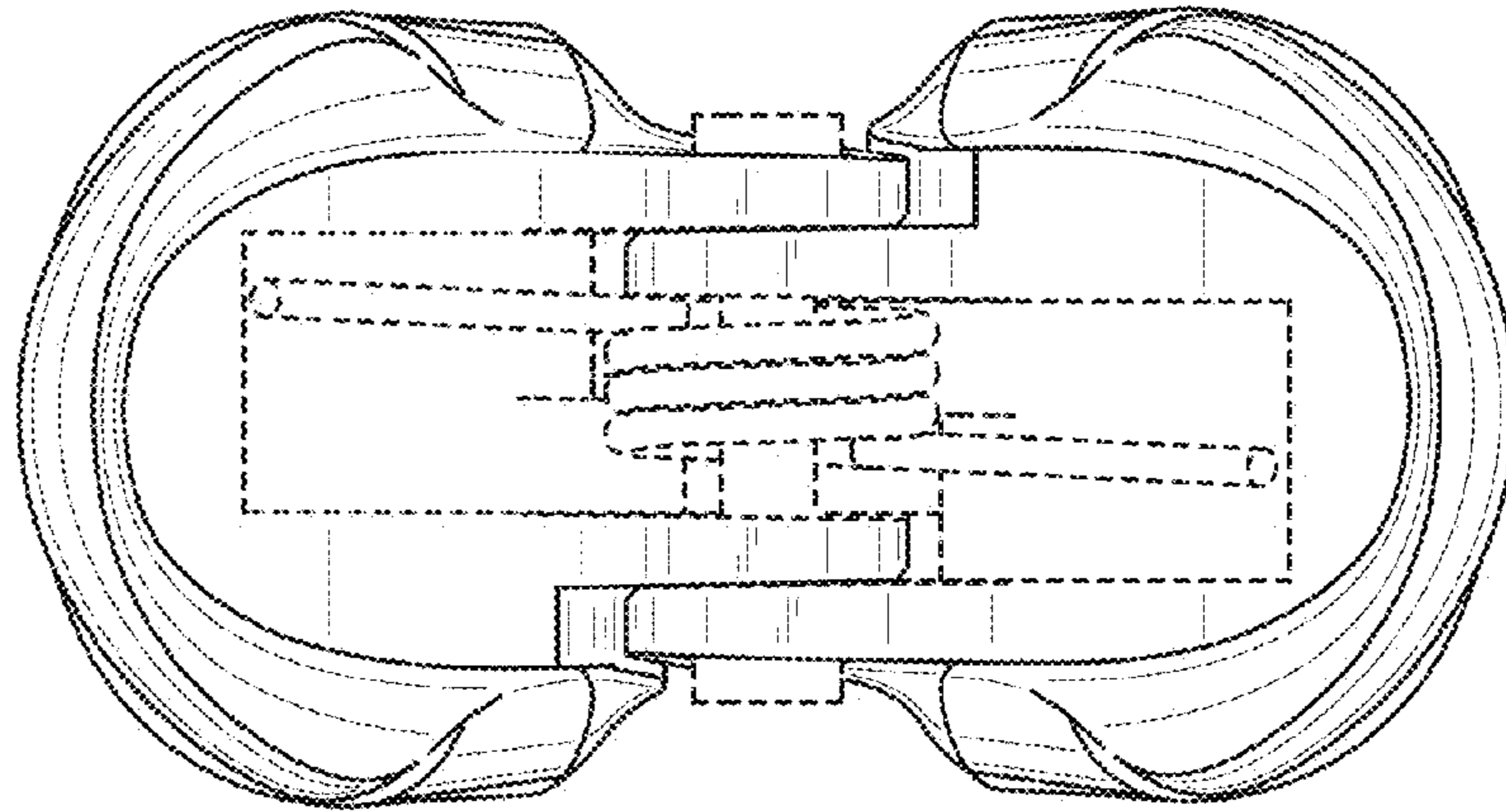


FIG. 6

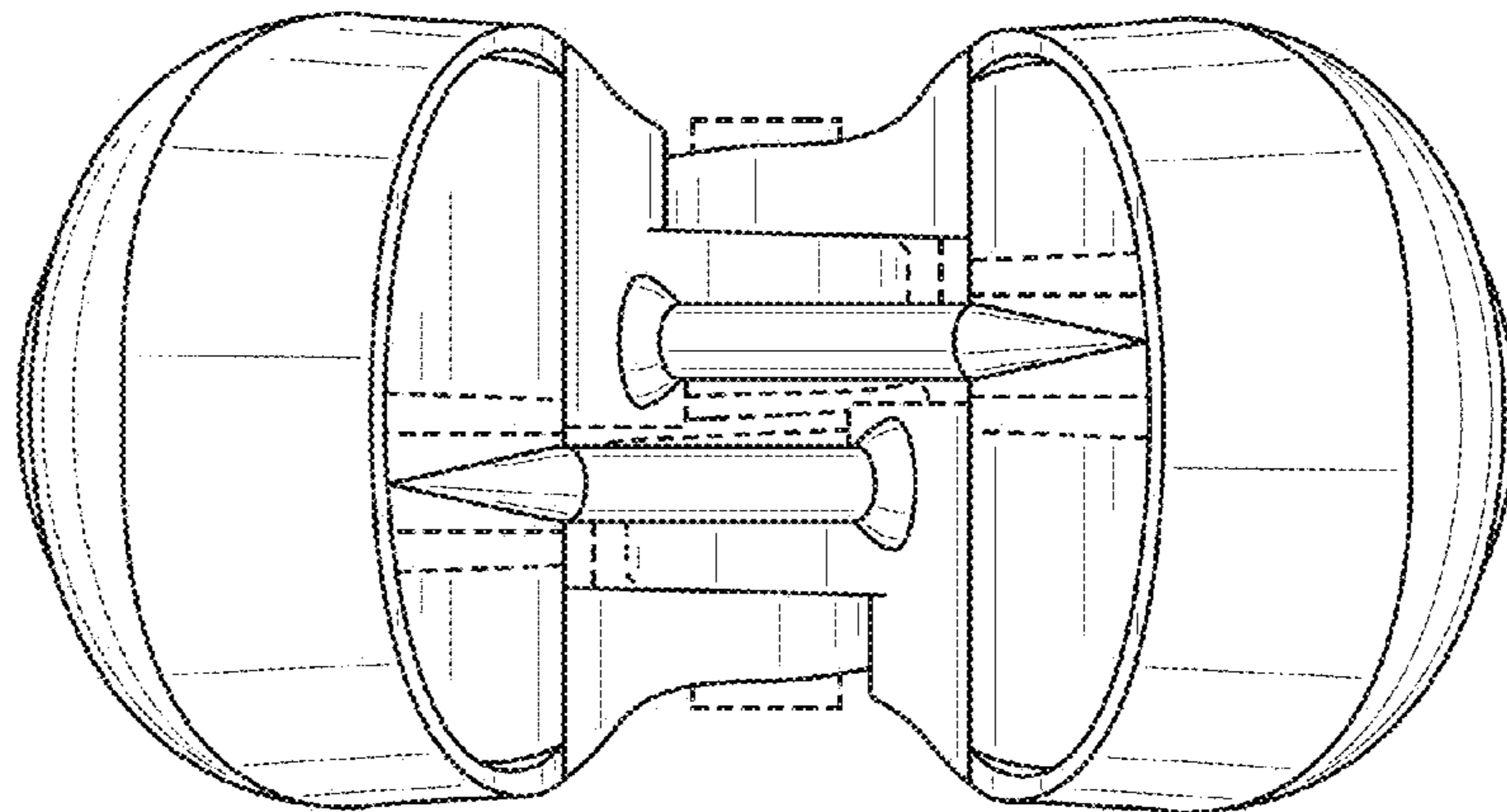


FIG. 7