



US00D711215S

(12) **United States Design Patent**
Toye

(10) **Patent No.:** **US D711,215 S**

(45) **Date of Patent:** **** Aug. 19, 2014**

(54) **GROUND PIN**

(71) Applicant: **Jonathan Dallas Toye**, Auckland (NZ)

(72) Inventor: **Jonathan Dallas Toye**, Auckland (NZ)

(73) Assignee: **Extenday IP Limited**, Auckland (NZ)

(**) Term: **14 Years**

(21) Appl. No.: **29/461,884**

(22) Filed: **Jul. 29, 2013**

(51) **LOC (10) Cl.** **08-08**

(52) **U.S. Cl.**
USPC **D8/388**

(58) **Field of Classification Search**
USPC D8/391, 388, 384-385, 1; 411/439,
411/487, 456, 485

See application file for complete search history.

(56) **References Cited**

U.S. PATENT DOCUMENTS

2,266,432 A * 12/1941 Morin et al. 264/161
D139,216 S * 10/1944 Spanholtz D8/391
3,121,366 A * 2/1964 Panzer 411/456

D229,538 S * 12/1973 Steffan D8/397
4,289,058 A * 9/1981 Paskert 411/456
4,973,211 A * 11/1990 Potucek 411/452
5,511,917 A * 4/1996 Dickson 411/439
D418,400 S * 1/2000 Juska D8/391
D572,550 S * 7/2008 Francis D8/51
D679,540 S * 4/2013 Eaton D7/387

* cited by examiner

Primary Examiner — Sheryl Lane

(74) *Attorney, Agent, or Firm* — Lowe Graham Jones PLLC

(57) **CLAIM**

I claim the ornamental design for a ground pin, as shown and described.

DESCRIPTION

FIG. 1 is a top plan view of a ground pin embodying the design;

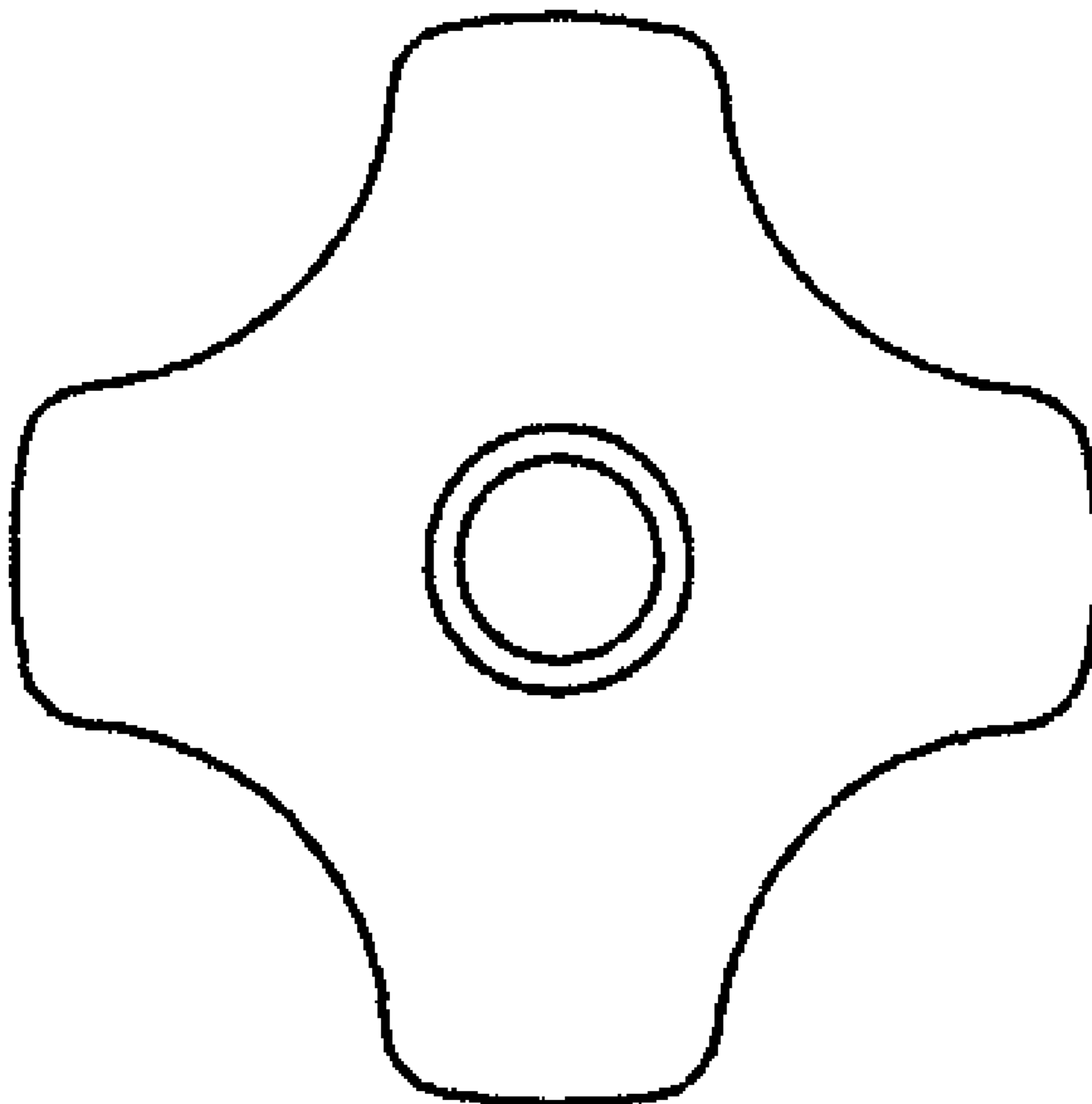
FIG. 2 is a bottom plan view thereof;

FIG. 3 is a side view thereof, all other sides being the same;

FIG. 4 is a top perspective view thereof; and,

FIG. 5 is a bottom perspective view thereof.

1 Claim, 2 Drawing Sheets



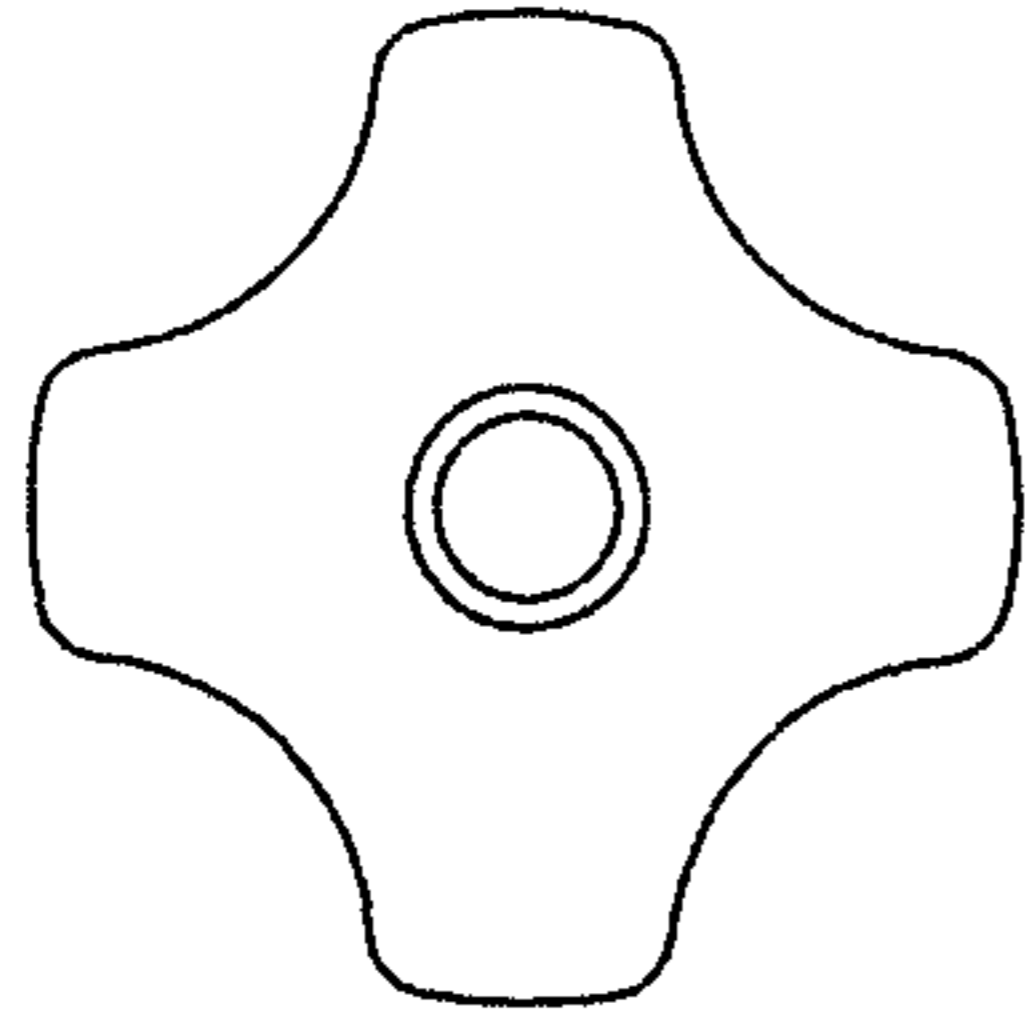


FIGURE 1

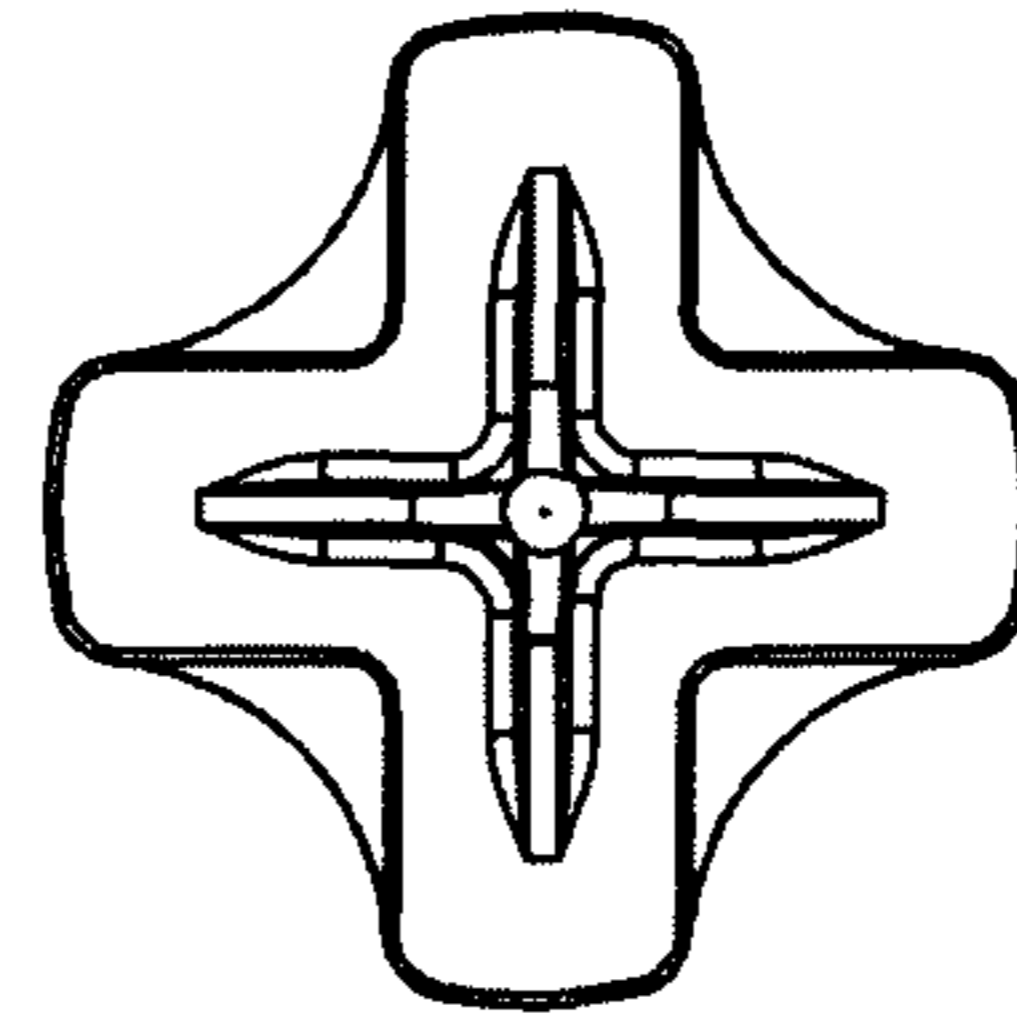


FIGURE 2

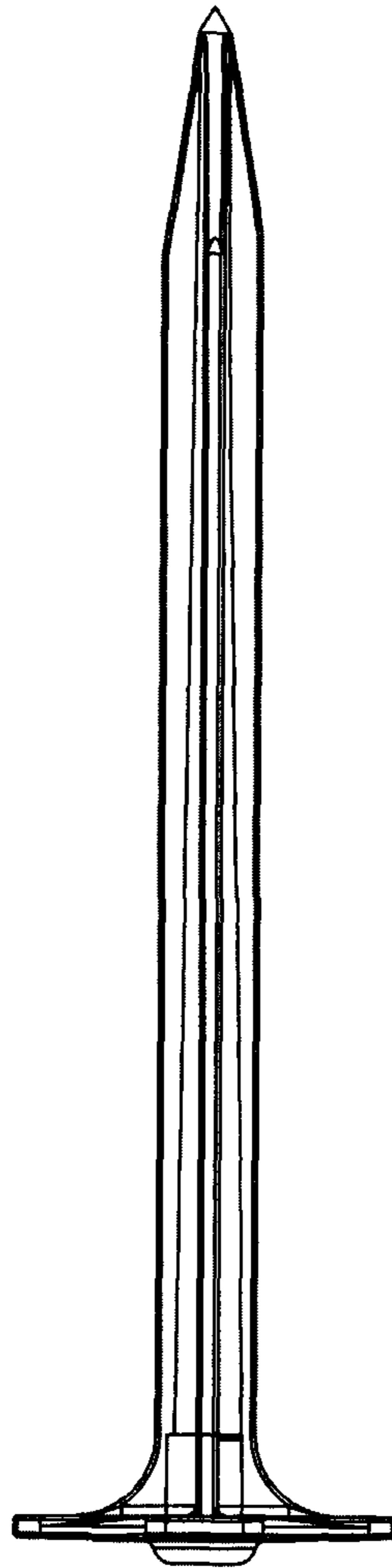


FIGURE 3

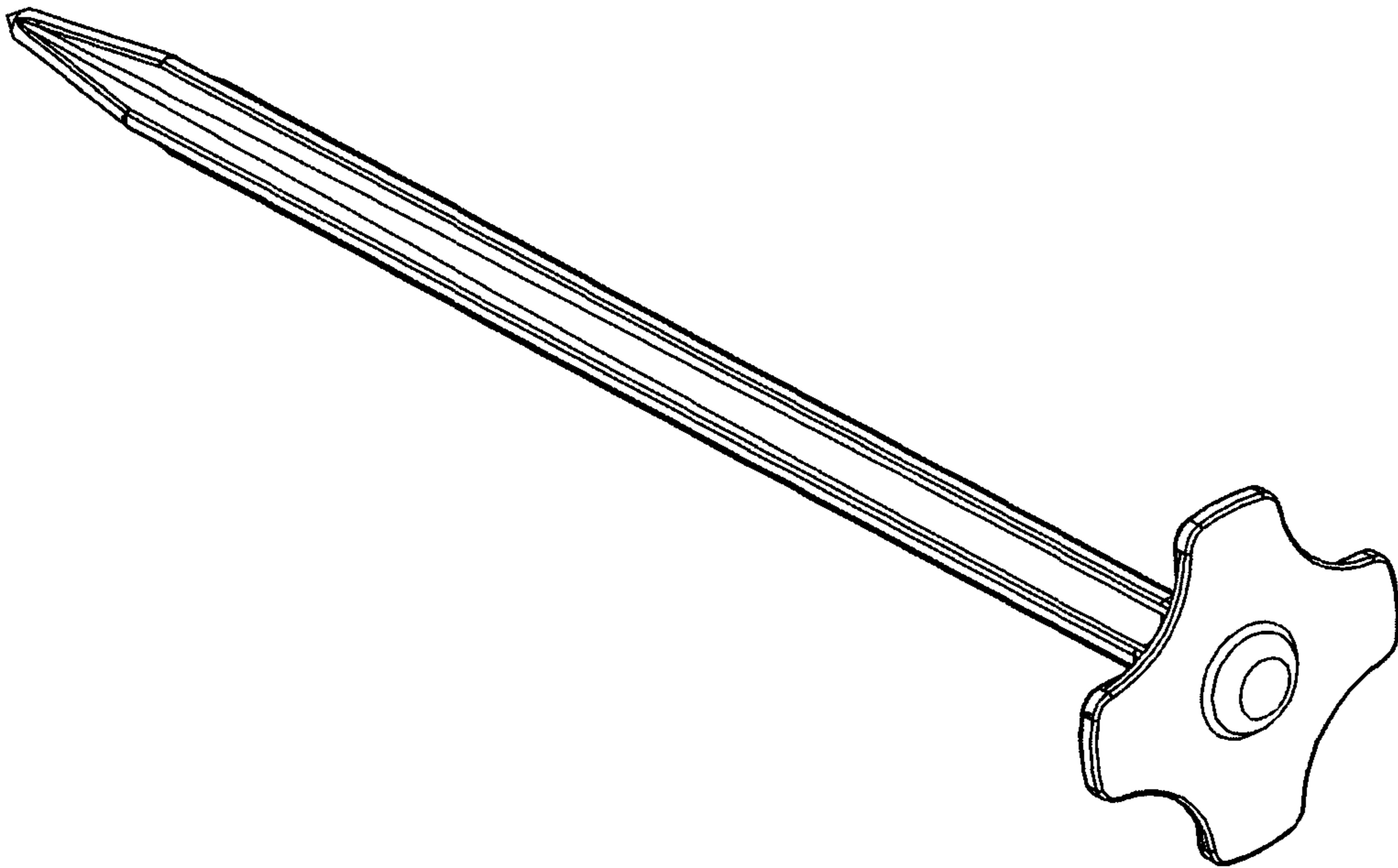


FIGURE 4

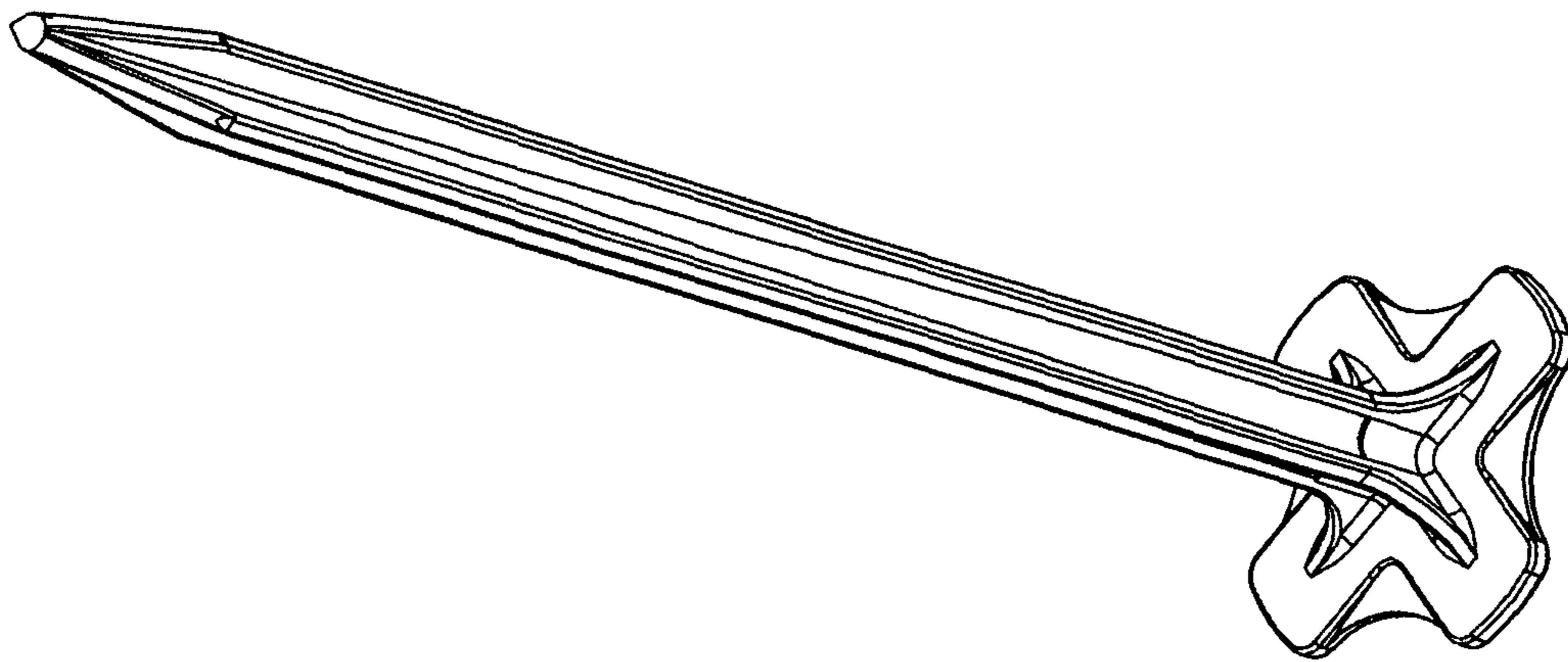


FIGURE 5