



US00D711214S

(12) **United States Design Patent**
Spangler et al.

(10) **Patent No.:** **US D711,214 S**

(45) **Date of Patent:** **** Aug. 19, 2014**

(54) **REBAR POSITIONER AND FASTENER**

(71) Applicants: **Ray Alan Spangler**, Anchorage, AK
(US); **Patina Loren Sidner**, Athens, GA
(US)

(72) Inventors: **Ray Alan Spangler**, Anchorage, AK
(US); **Patina Loren Sidner**, Athens, GA
(US)

(**) Term: **14 Years**

(21) Appl. No.: **29/433,009**

(22) Filed: **Sep. 25, 2012**

(51) **LOC (10) Cl.** **08-08**

(52) **U.S. Cl.**
USPC **D8/382**

(58) **Field of Classification Search**
CPC E04C 5/18
USPC D8/382, 354, 367, 370, 499; 52/81.6,
52/677, 688; 404/136; 248/249, 302
See application file for complete search history.

(56) **References Cited**

U.S. PATENT DOCUMENTS

D33,777 S * 12/1900 Schmidt D8/382
1,372,226 A * 3/1921 Havemeyer 52/684
1,850,868 A * 3/1932 Drake 52/677

1,870,487 A * 8/1932 Bitney 52/688
1,871,809 A * 8/1932 Lampert 52/688
1,994,724 A * 3/1935 Neely 404/136
2,431,934 A * 12/1947 Higgins 160/349.2
4,441,527 A * 4/1984 Tolliver 138/175
5,408,793 A * 4/1995 Dykmans 52/81.6
D528,900 S * 9/2006 Thompson D8/370
D554,478 S * 11/2007 Robinson D8/356
2005/0055984 A1 * 3/2005 Huber et al. 52/782.1

* cited by examiner

Primary Examiner — Robert M Spear

(74) *Attorney, Agent, or Firm* — Michael J. Tavella

(57) **CLAIM**

We claim the ornamental design for a rebar positioner and fastener, as shown and described.

DESCRIPTION

FIG. 1 is a perspective view of a rebar positioner and fastener
FIG. 2 is a top view of the rebar positioner and fastener.

FIG. 3 is a front elevational view of the rebar positioner and fastener.

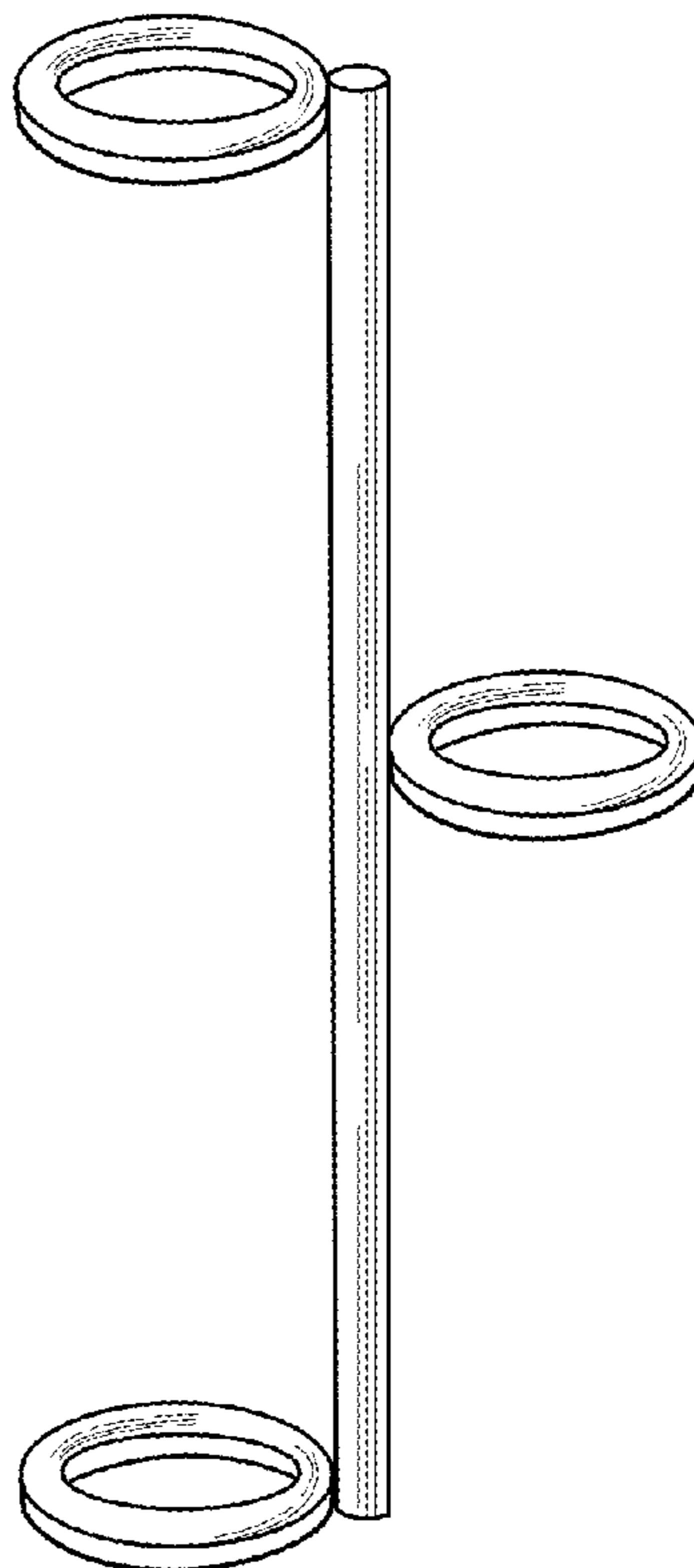
FIG. 4 is a rear view of the rebar positioner and fastener.

FIG. 5 is a bottom view of the rebar positioner and fastener.

FIG. 6 is a right-side view of the rebar positioner and fastener;
and,

FIG. 7 is a left-side view of the rebar positioner and fastener.

1 Claim, 3 Drawing Sheets



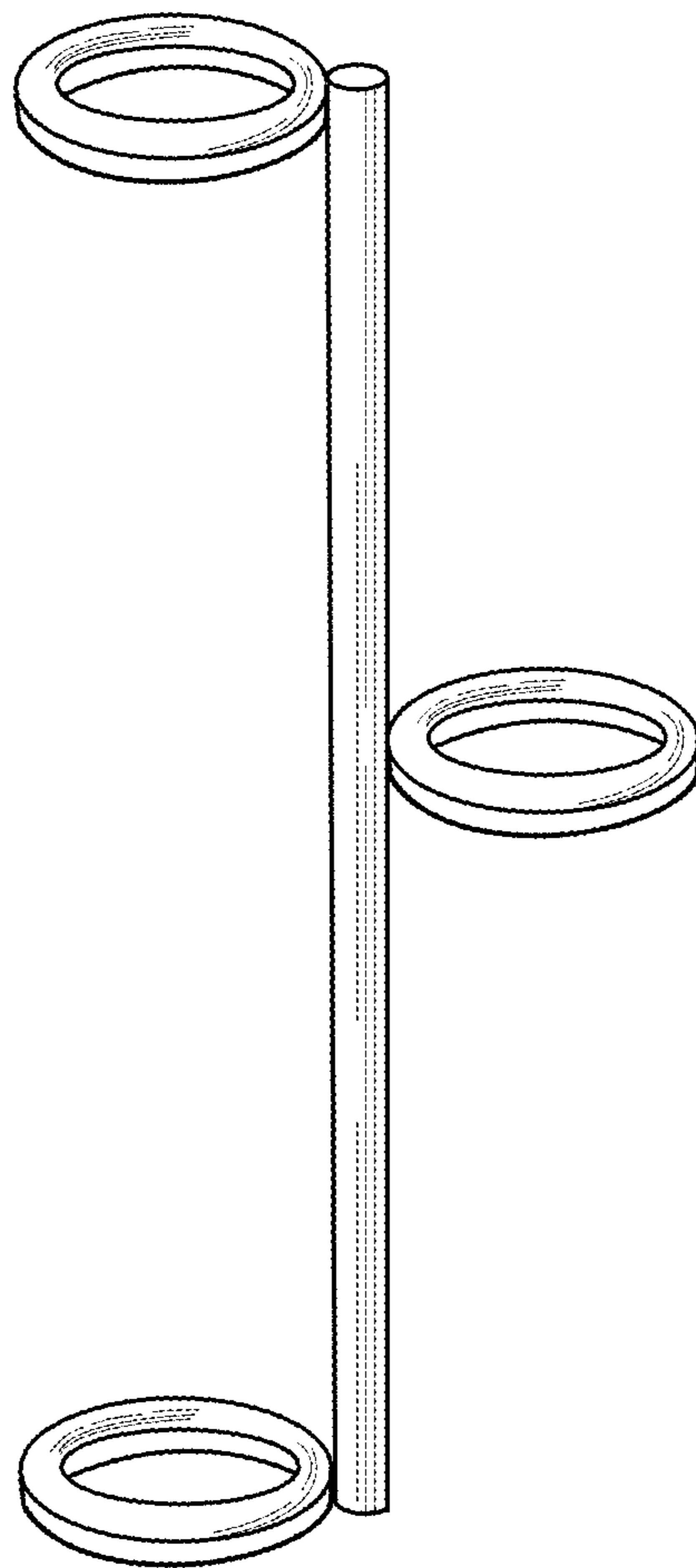


Figure 1

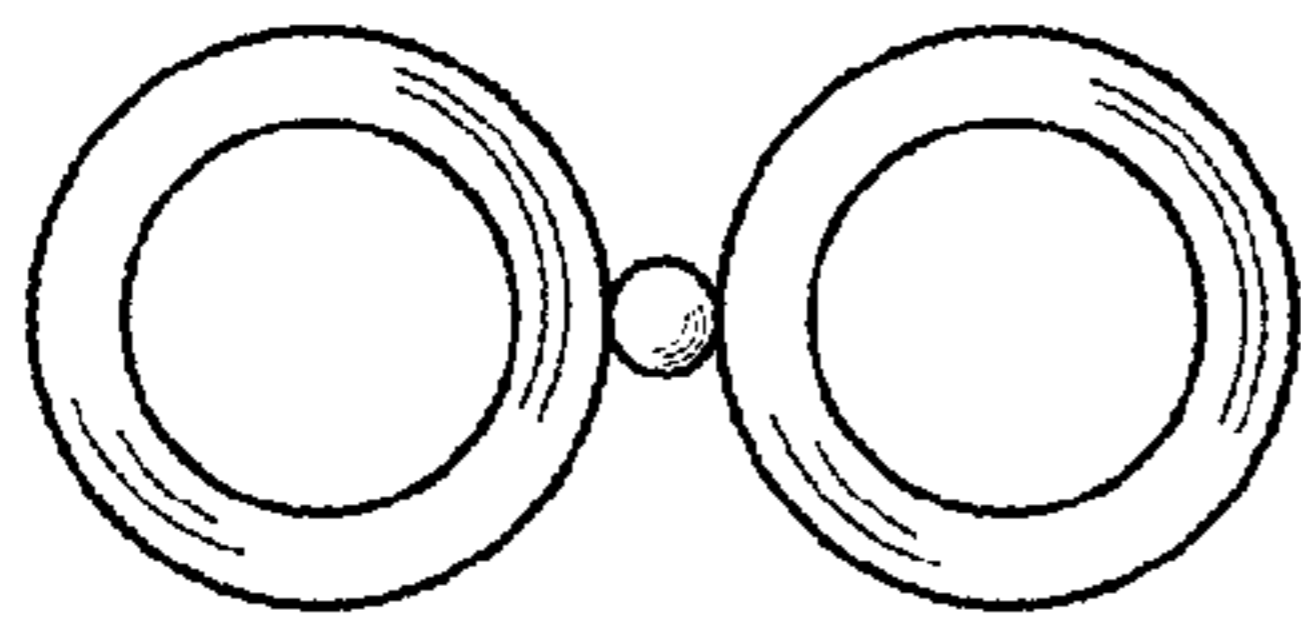


Figure 2

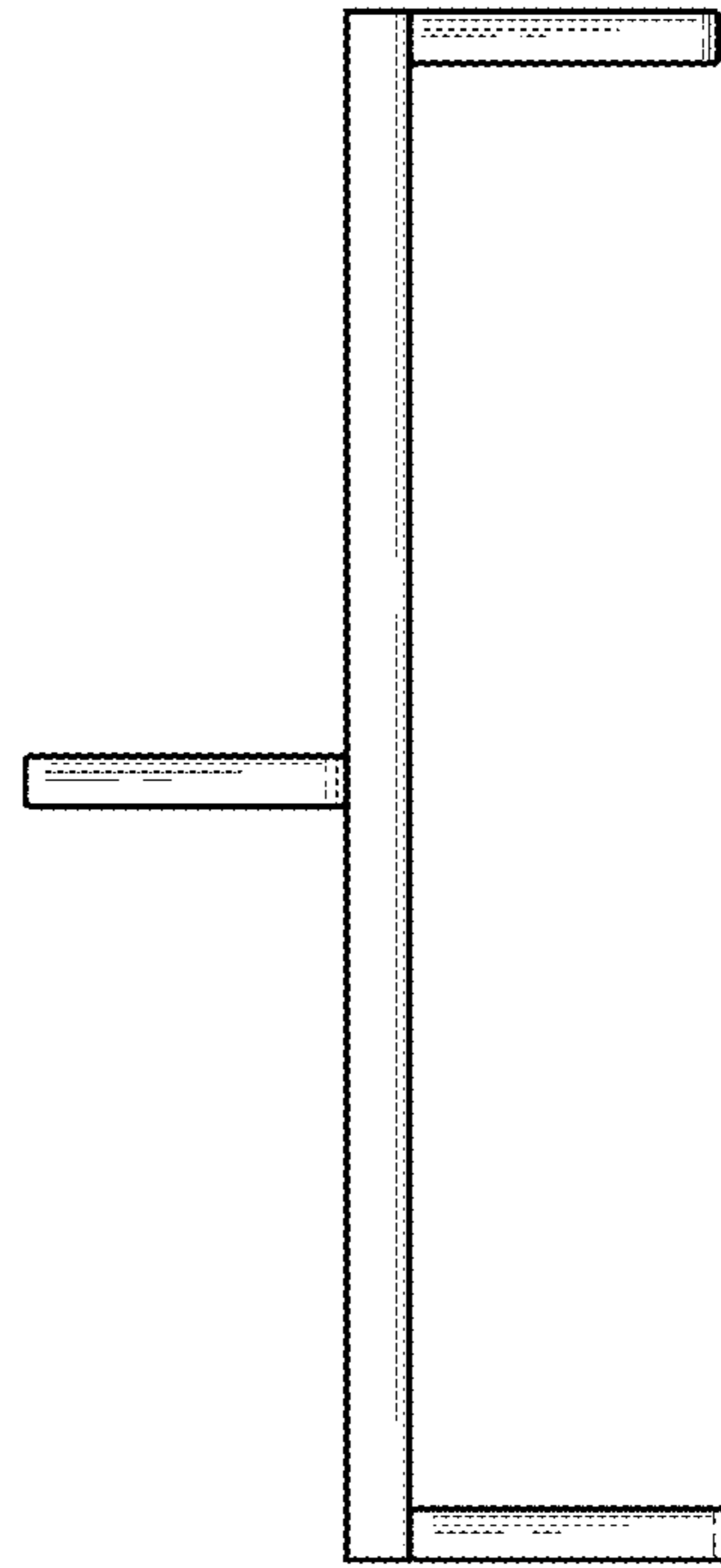


Figure 4

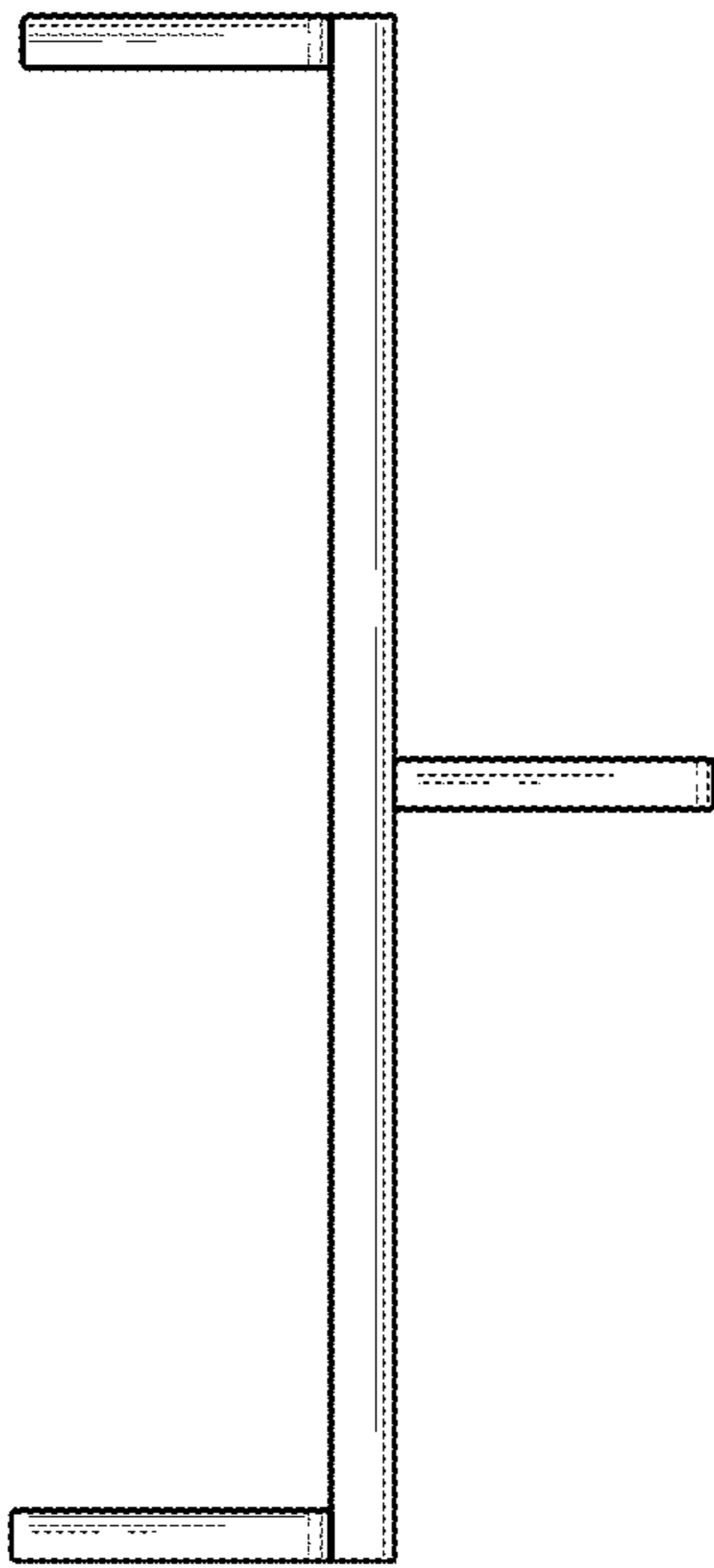


Figure 3

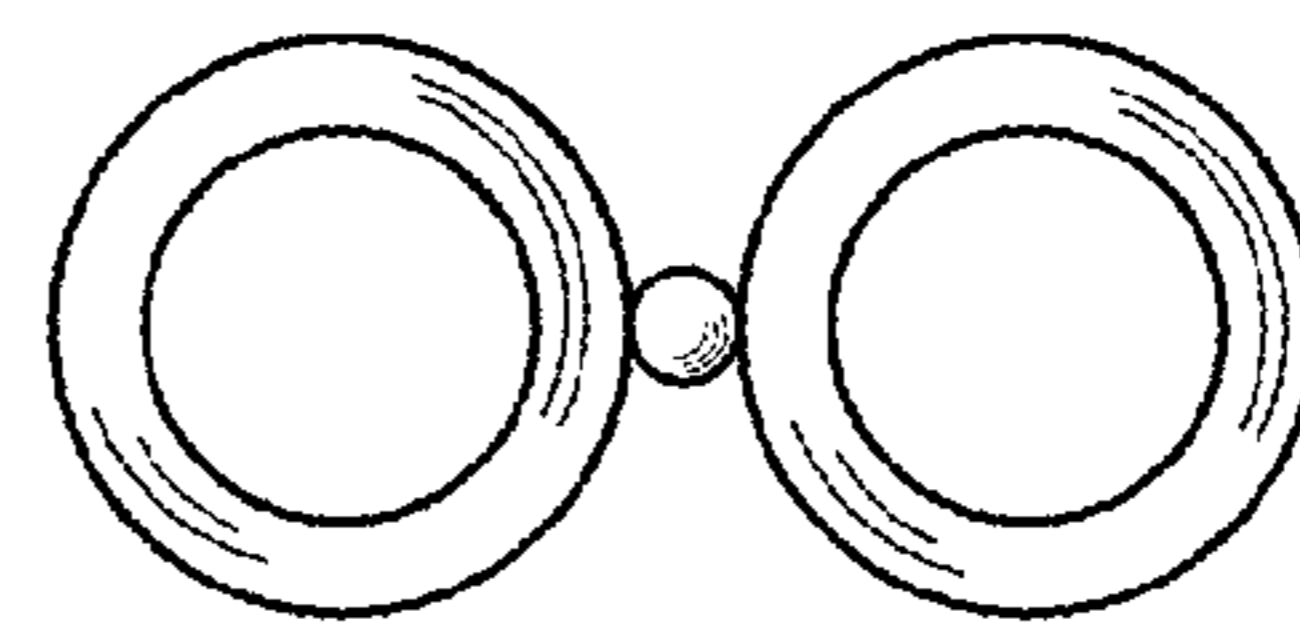


Figure 5

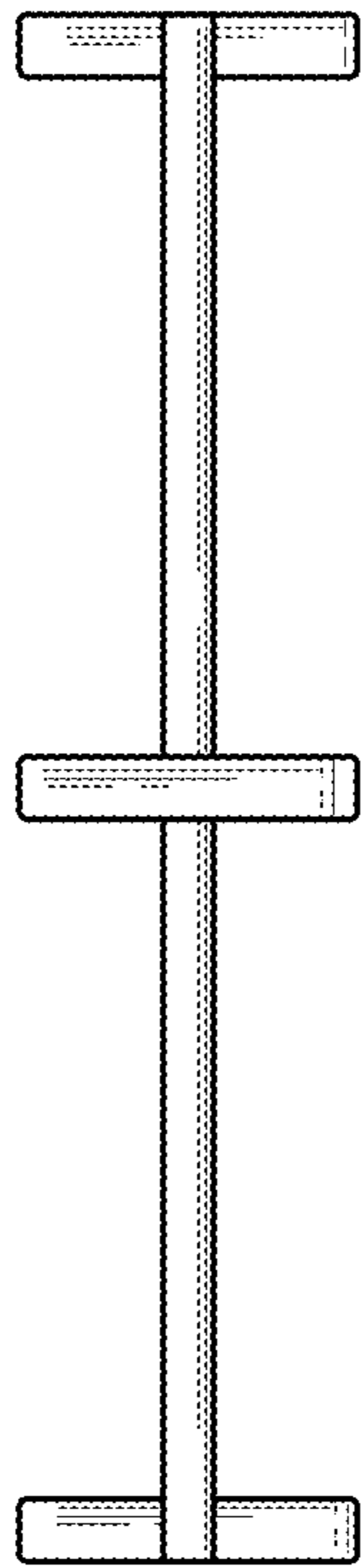


Figure 6

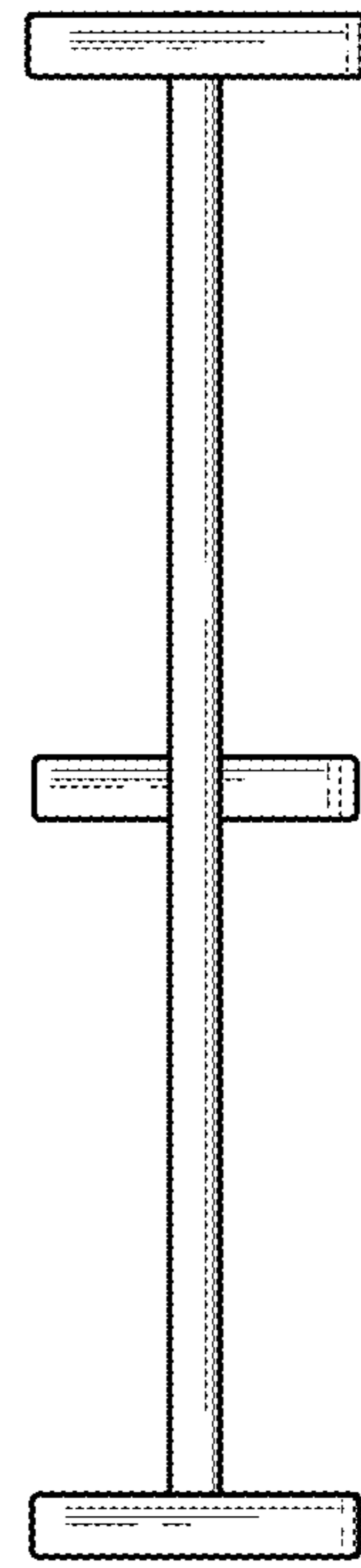


Figure 7