



US00D711213S

(12) **United States Design Patent**
Schorn

(10) **Patent No.:** **US D711,213 S**

(45) **Date of Patent:** **** Aug. 19, 2014**

(54) **HANGER**

(71) Applicant: **Michael Schorn**, Banks, OR (US)

(72) Inventor: **Michael Schorn**, Banks, OR (US)

(**) Term: **14 Years**

(21) Appl. No.: **29/469,744**

(22) Filed: **Oct. 14, 2013**

(51) **LOC (10) Cl.** **08-05**

(52) **U.S. Cl.**
USPC **D8/373**

(58) **Field of Classification Search**
CPC A63B 69/0002; A63B 71/0045; A47F
5/0838
USPC D6/315, 320, 323, 512; D8/371, 354,
D8/373, 366, 367; 248/682, 683, 690, 692,
248/200, 205.1, 205.3
See application file for complete search history.

(56) **References Cited**

U.S. PATENT DOCUMENTS

2,628,054	A	2/1953	Fazakerley	
D206,232	S	11/1966	Magnuson	
3,653,624	A *	4/1972	Abel	248/312
4,049,126	A	9/1977	Halverson	
D272,023	S *	1/1984	Mayer et al.	D6/569
4,629,065	A	12/1986	Braaten	
4,953,817	A	9/1990	Mosteller	
D335,935	S *	5/1993	Rouail	D28/73
D336,842	S	6/1993	Hampshire	
5,457,911	A *	10/1995	Vollink	47/67
D376,085	S *	12/1996	King, Jr.	D8/71
D377,309	S	1/1997	Hofman	
5,626,244	A *	5/1997	Mesna et al.	211/60.1
6,948,627	B1	9/2005	Evans	
7,090,085	B1 *	8/2006	Vicendese et al.	211/106.01

7,273,153	B1	9/2007	Kuniyoshi	
D560,088	S *	1/2008	Tracy	D6/552
D609,080	S	2/2010	Schorn	
7,784,624	B1	8/2010	Pinto	
8,322,667	B2 *	12/2012	Zannoni	248/220.41
D677,505	S *	3/2013	Walton	D6/572
8,523,127	B1 *	9/2013	Bennett	248/222.52
2004/0069919	A1	4/2004	Studer	
2006/0226321	A1	10/2006	Tracy	
2013/0082155	A1 *	4/2013	McCormack	248/220.21

* cited by examiner

Primary Examiner — Deanna L Pratt

Assistant Examiner — Ieisha Price

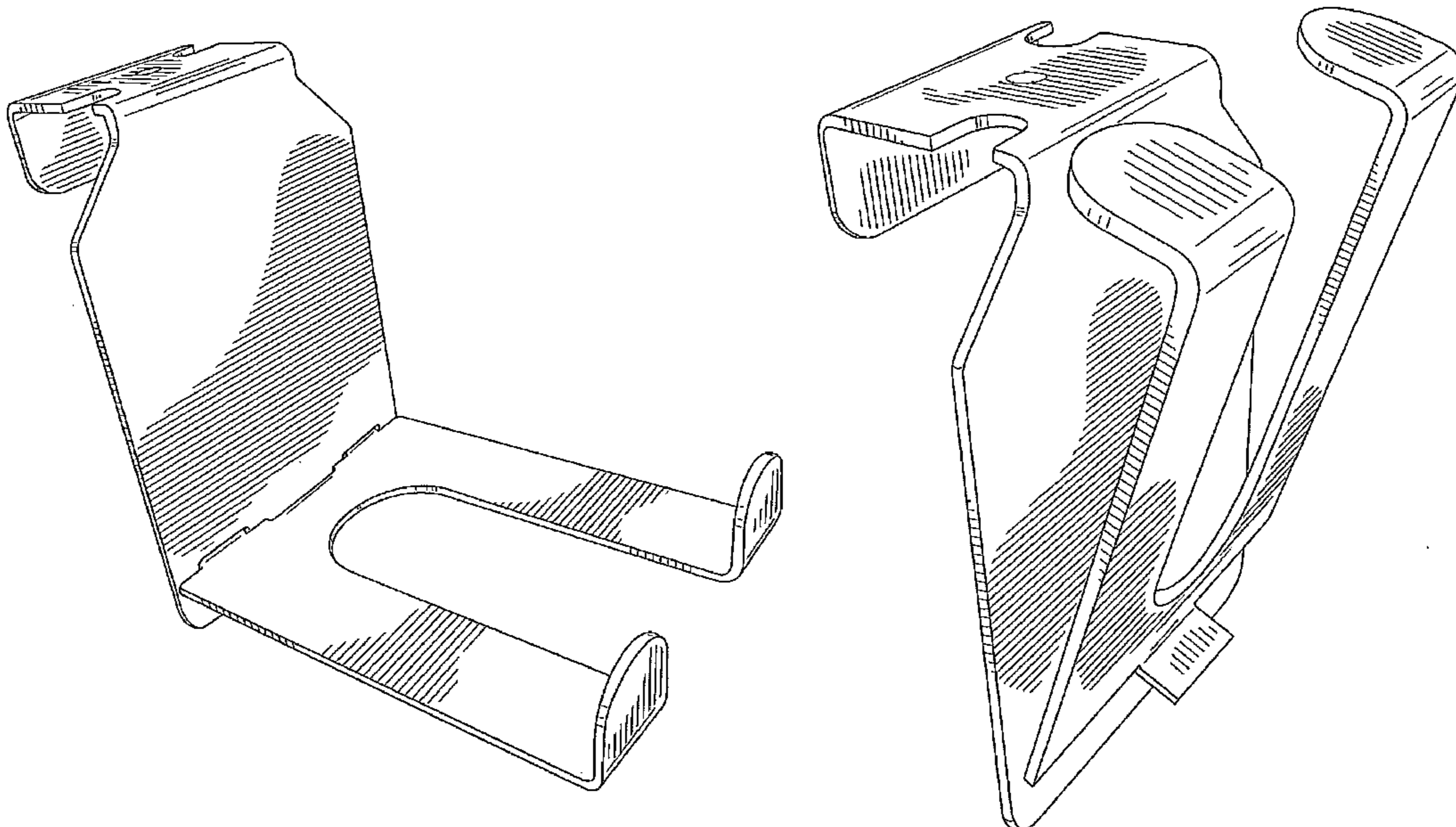
(57) **CLAIM**

The ornamental design for a hanger, as shown and described.

DESCRIPTION

FIG. 1 is a back right perspective view;
 FIG. 2 is a front left perspective view;
 FIG. 3 is front view;
 FIG. 4 is a back view;
 FIG. 5 is a right side view;
 FIG. 6 is a left side view;
 FIG. 7 is a top view;
 FIG. 8 is a bottom view;
 FIG. 9 is a back right perspective view showing the hanger folded up;
 FIG. 10 is a front left perspective view showing the hanger folded up;
 FIG. 11 is a right side view showing the hanger folded up;
 FIG. 12 is a left side view showing the hanger folded up;
 FIG. 13 is a top view showing the hanger folded up;
 FIG. 14 is a bottom view showing the hanger folded up;
 FIG. 15 is a front view showing the hanger folded up; and,
 FIG. 16 is a back view showing the hanger folded up.

1 Claim, 16 Drawing Sheets



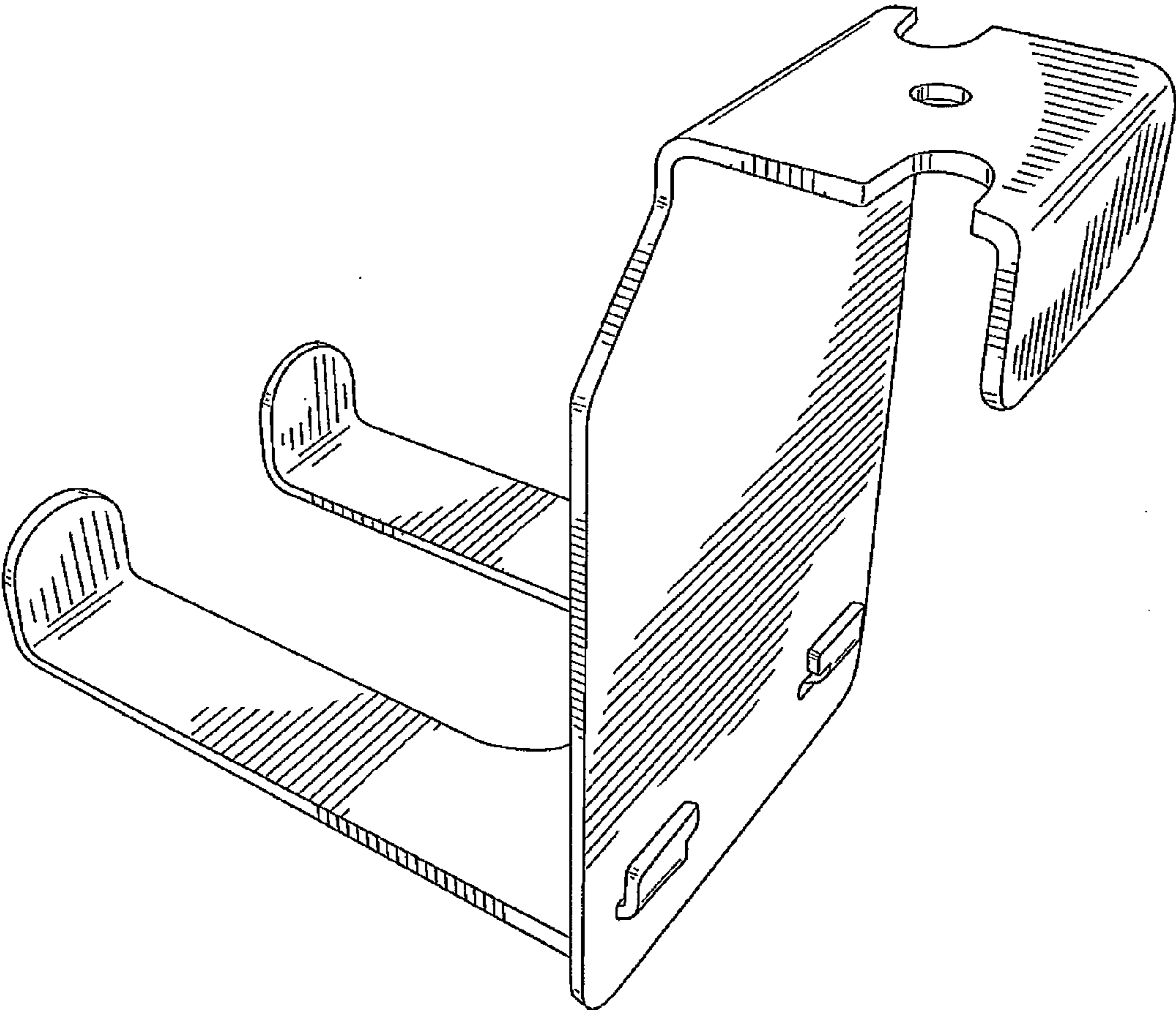


FIG. 1

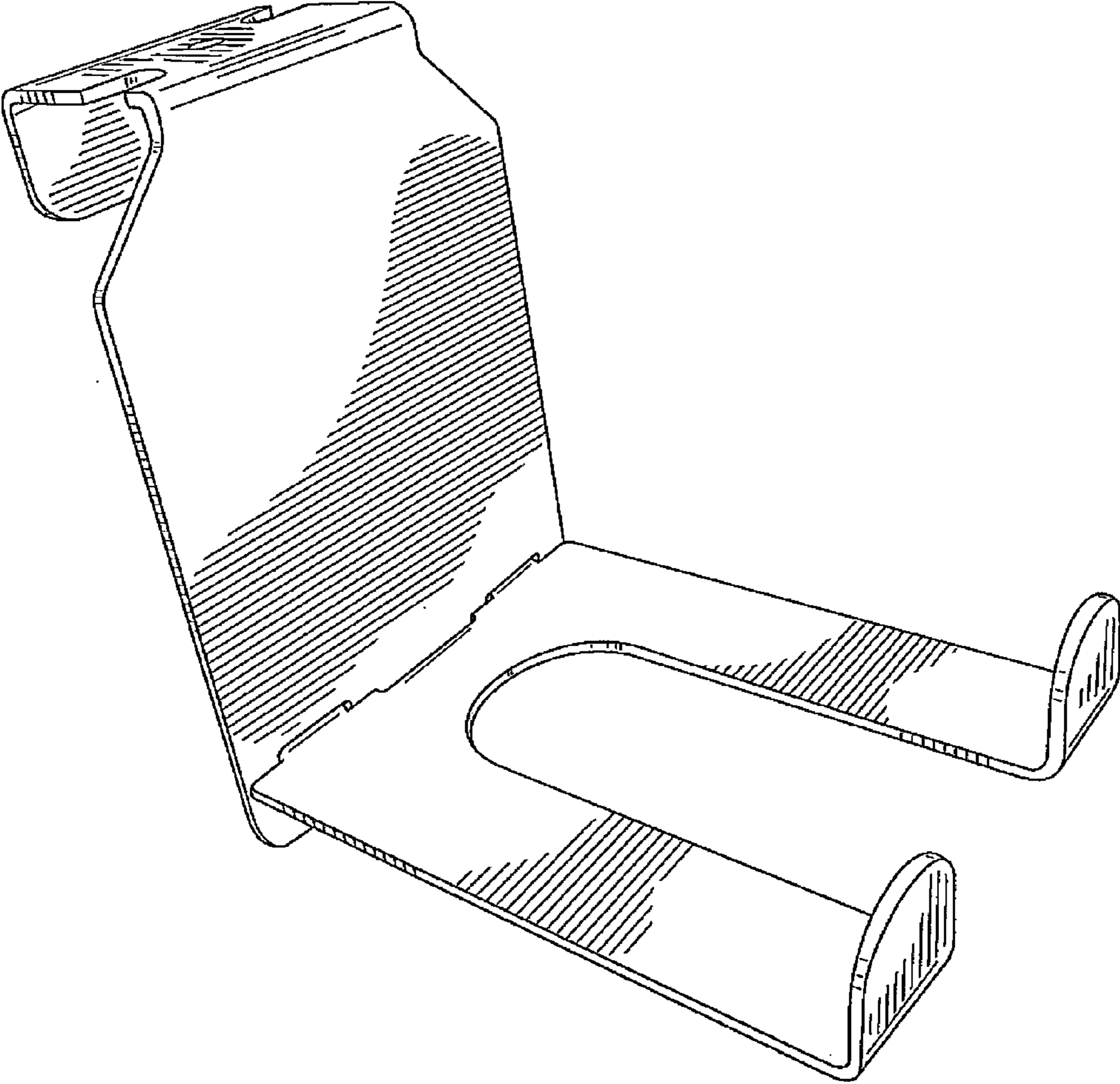


FIG. 2

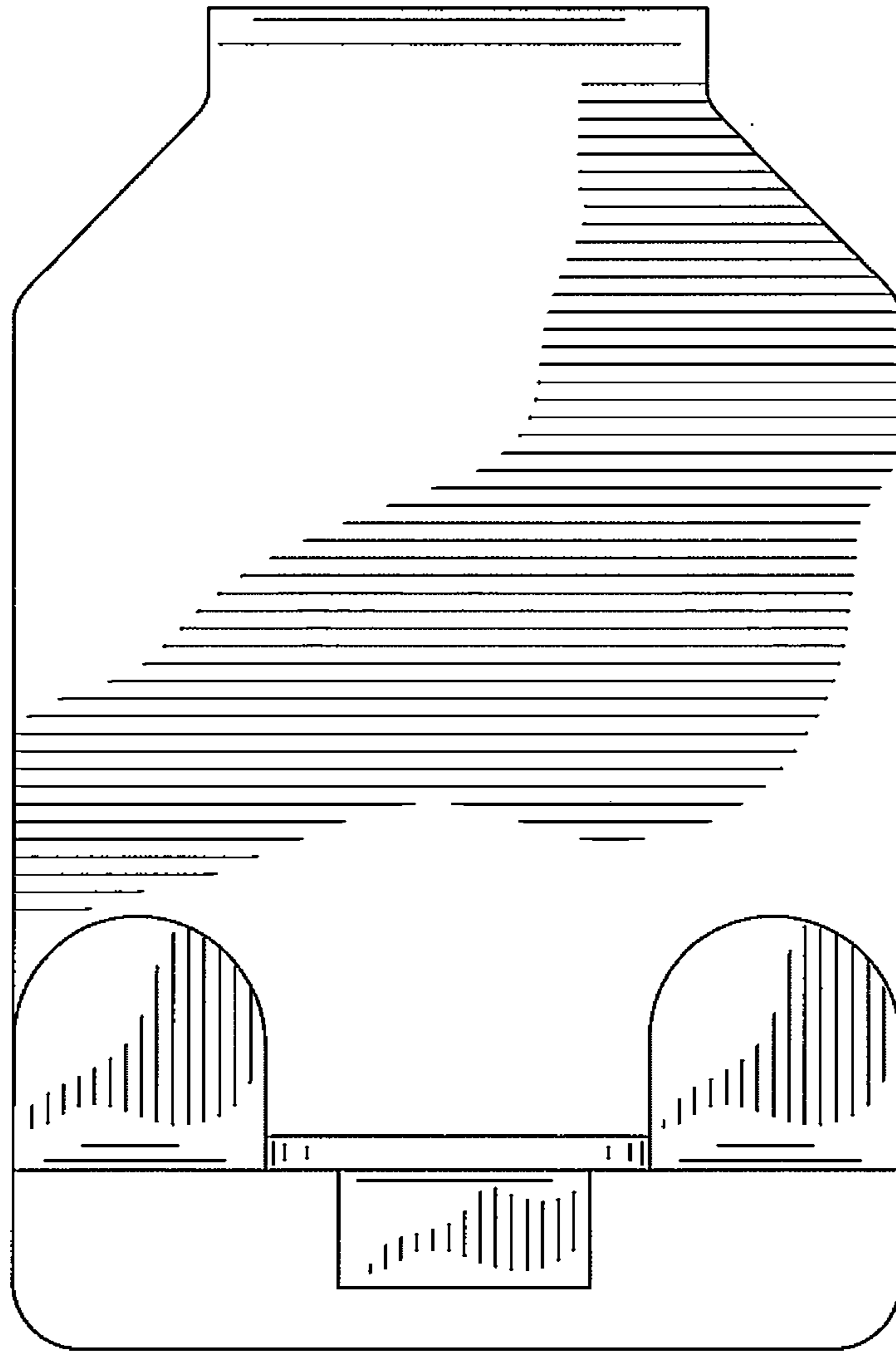


FIG. 3

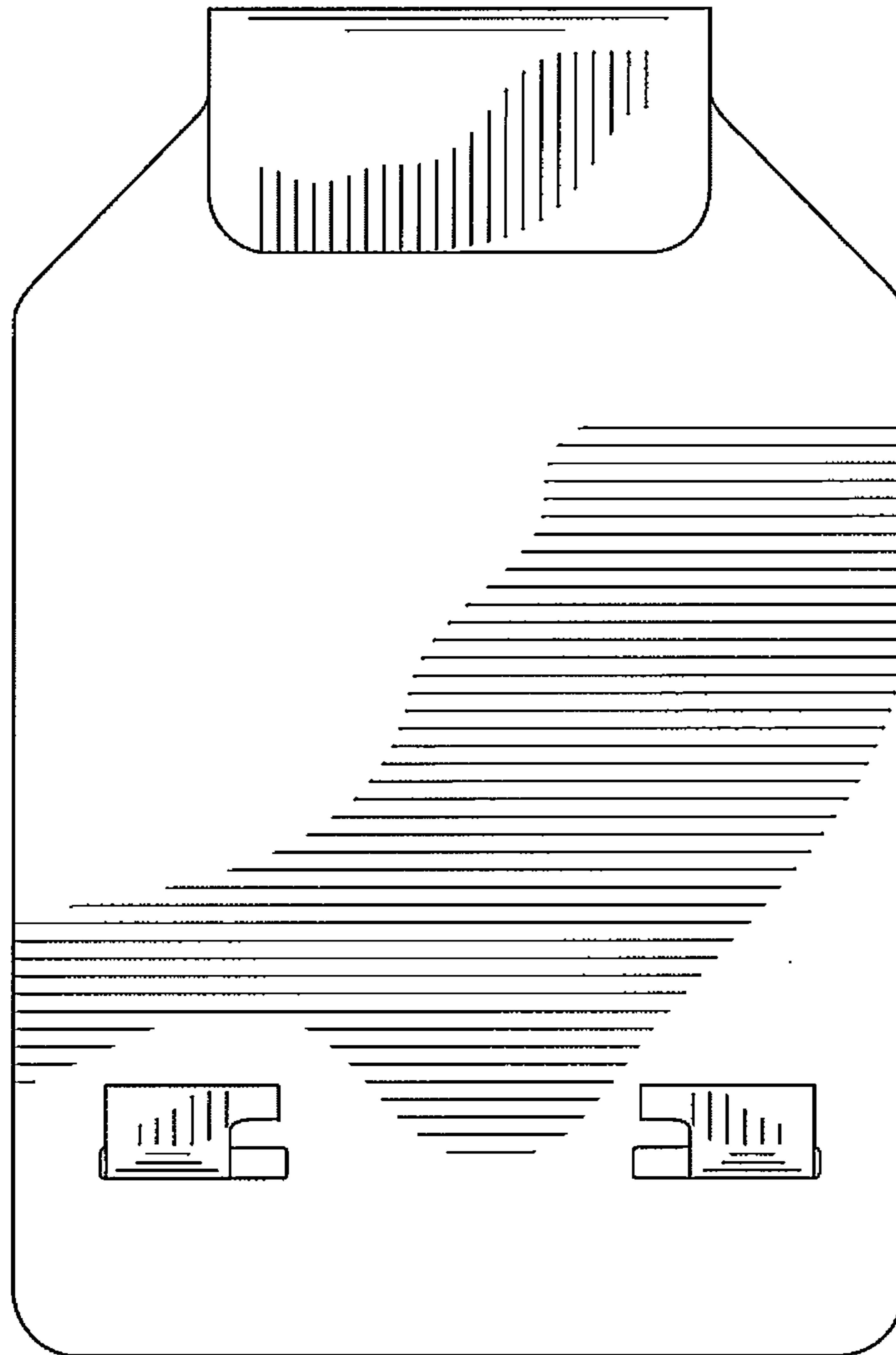
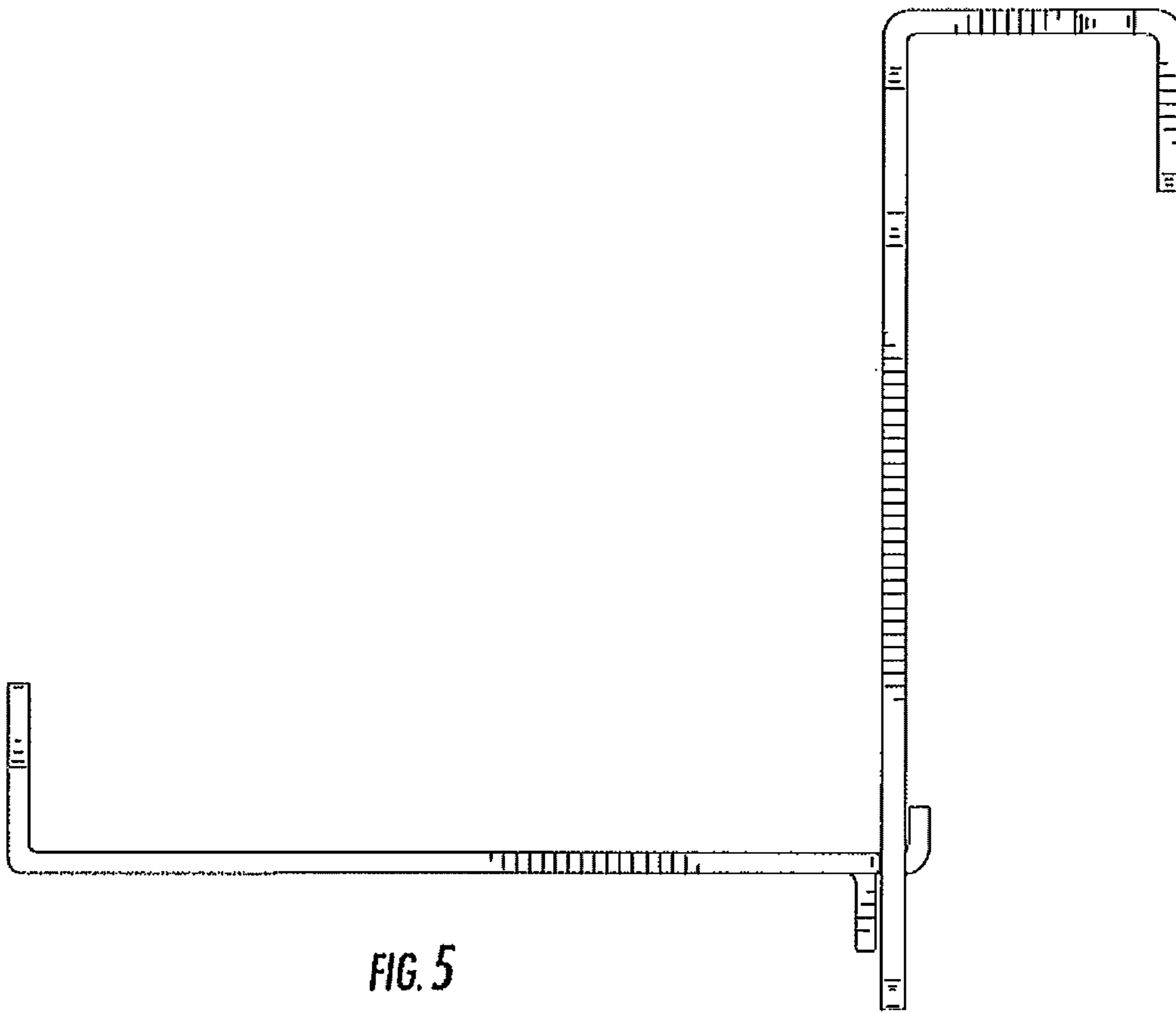


FIG. 4



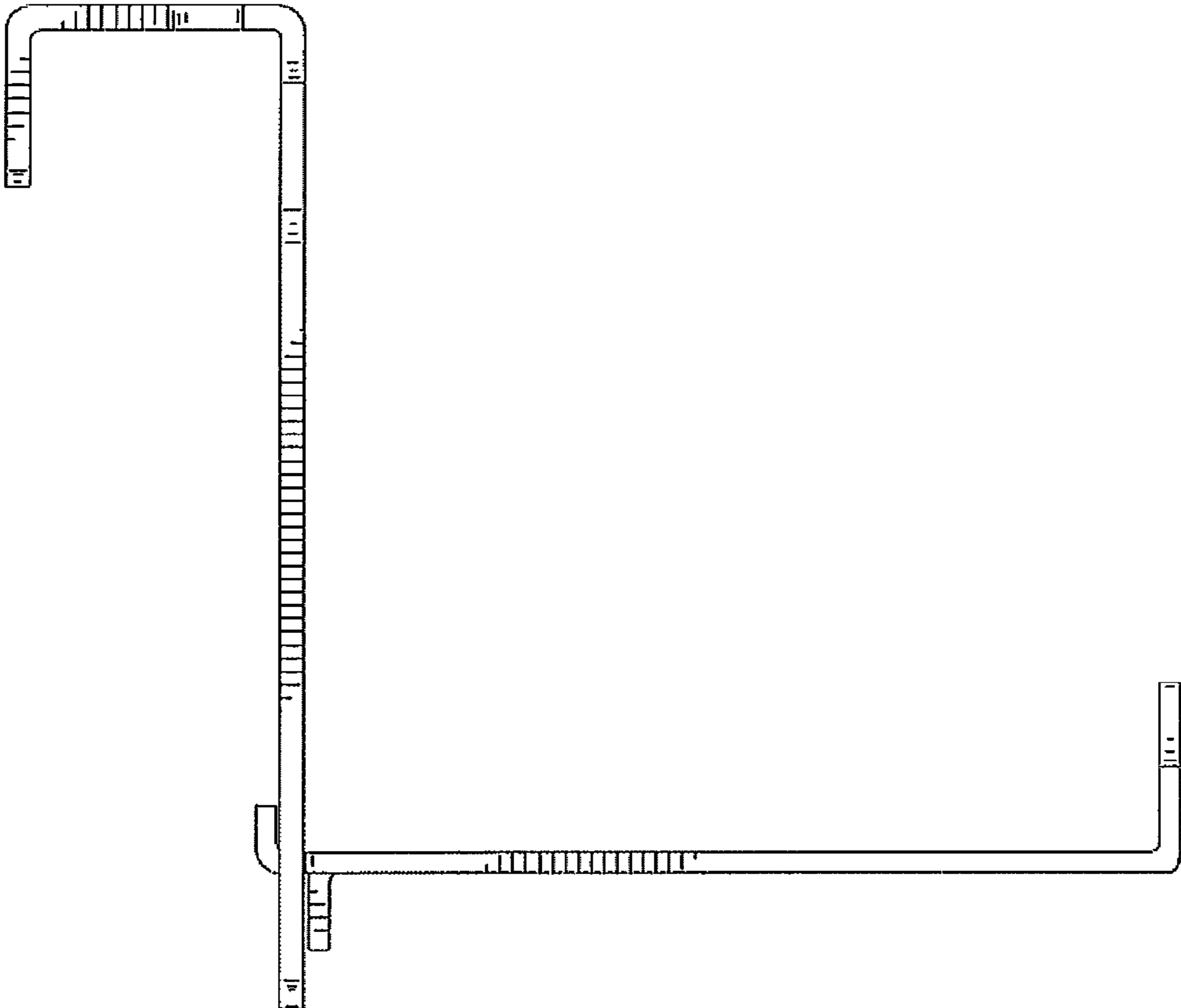


FIG. 6

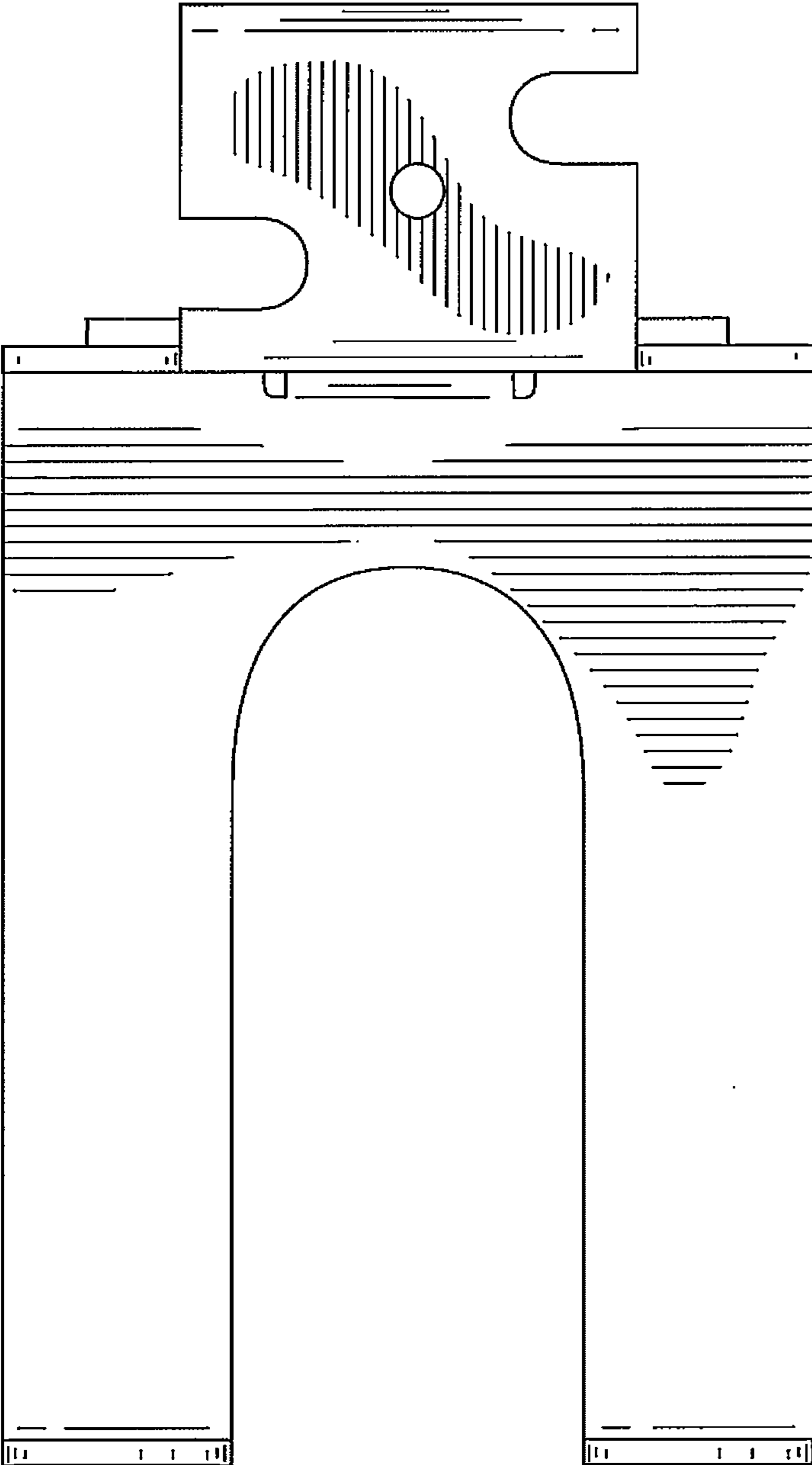


FIG. 7

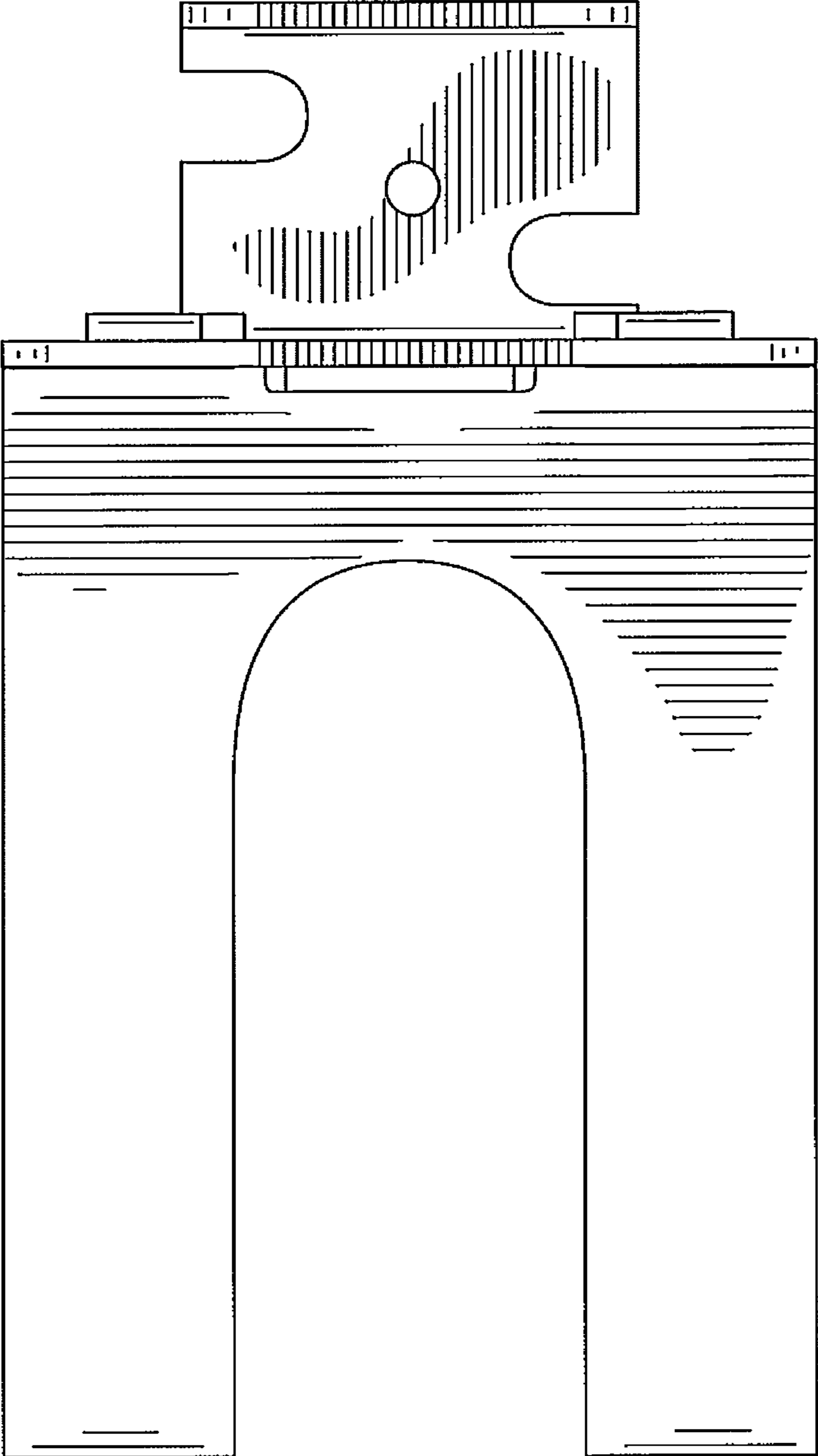


FIG. 8

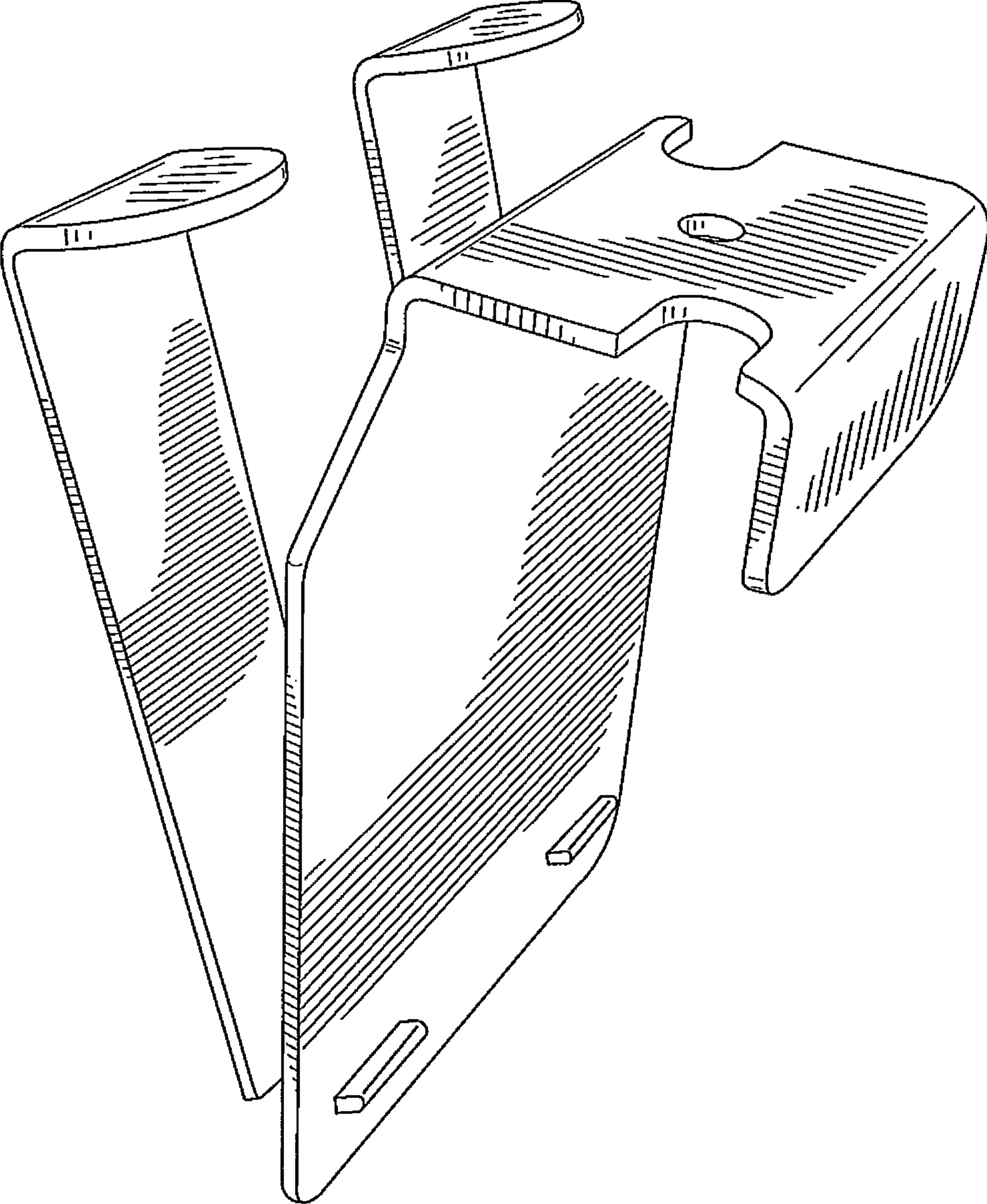


FIG. 9

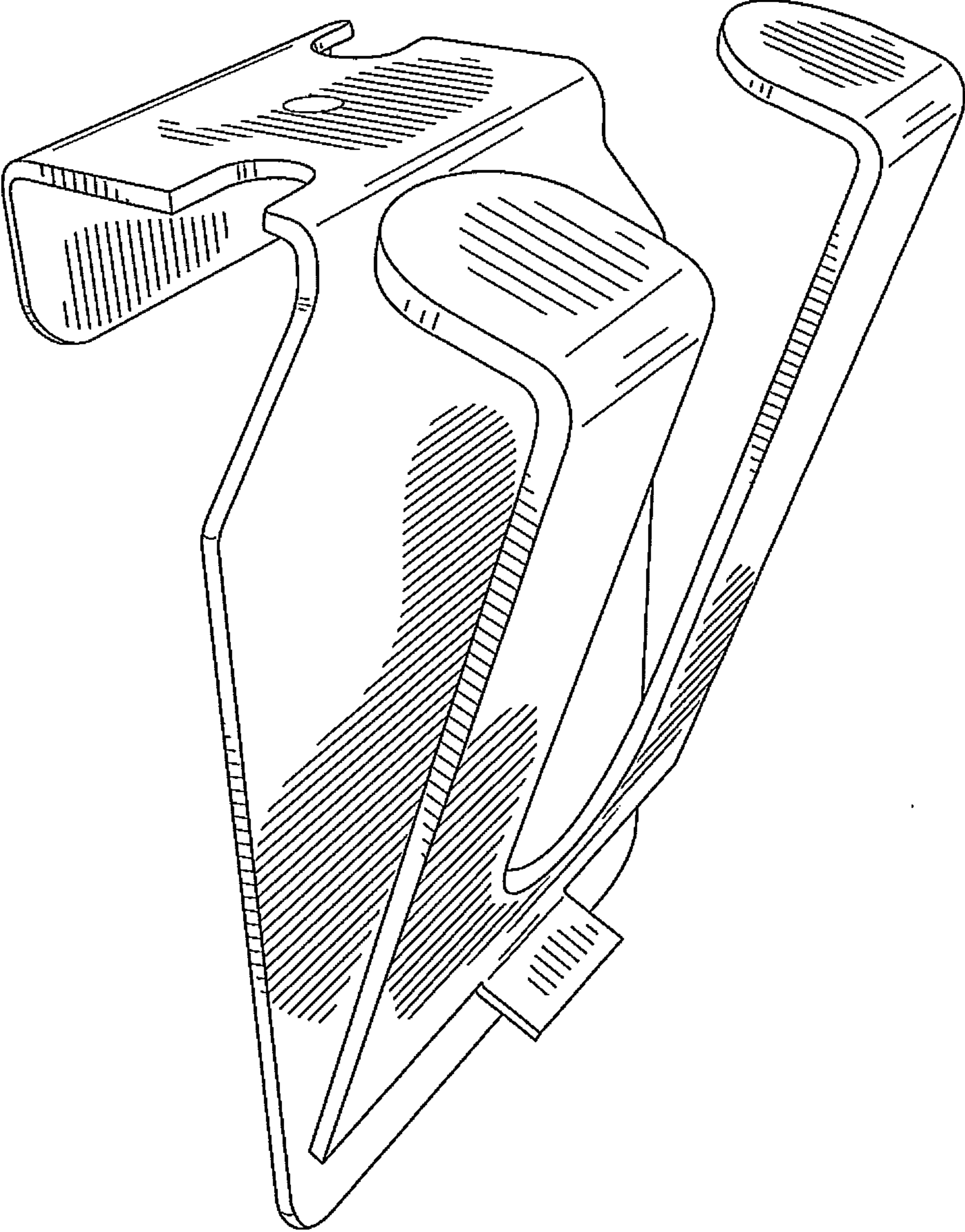


FIG. 10

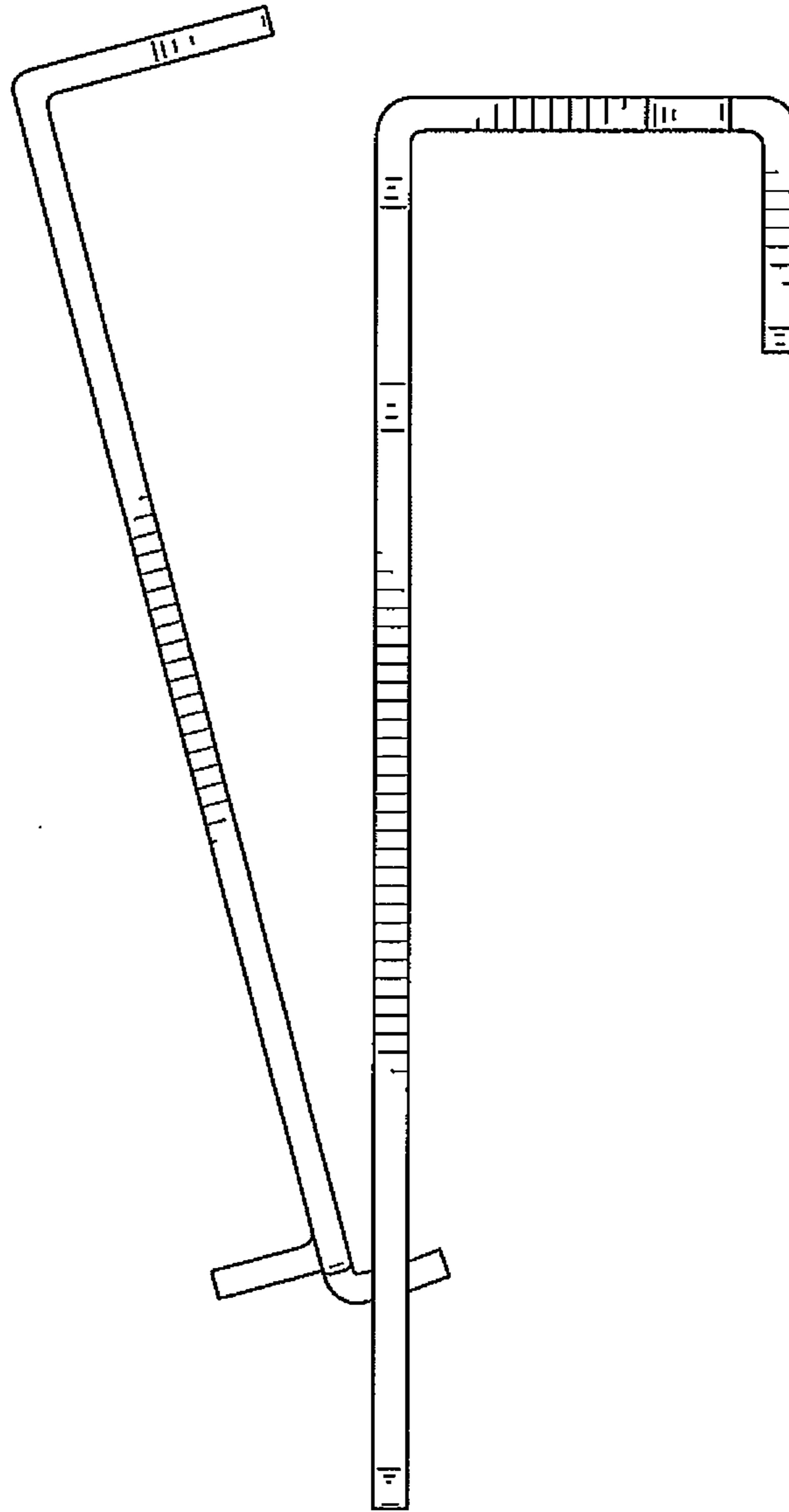


FIG. 11

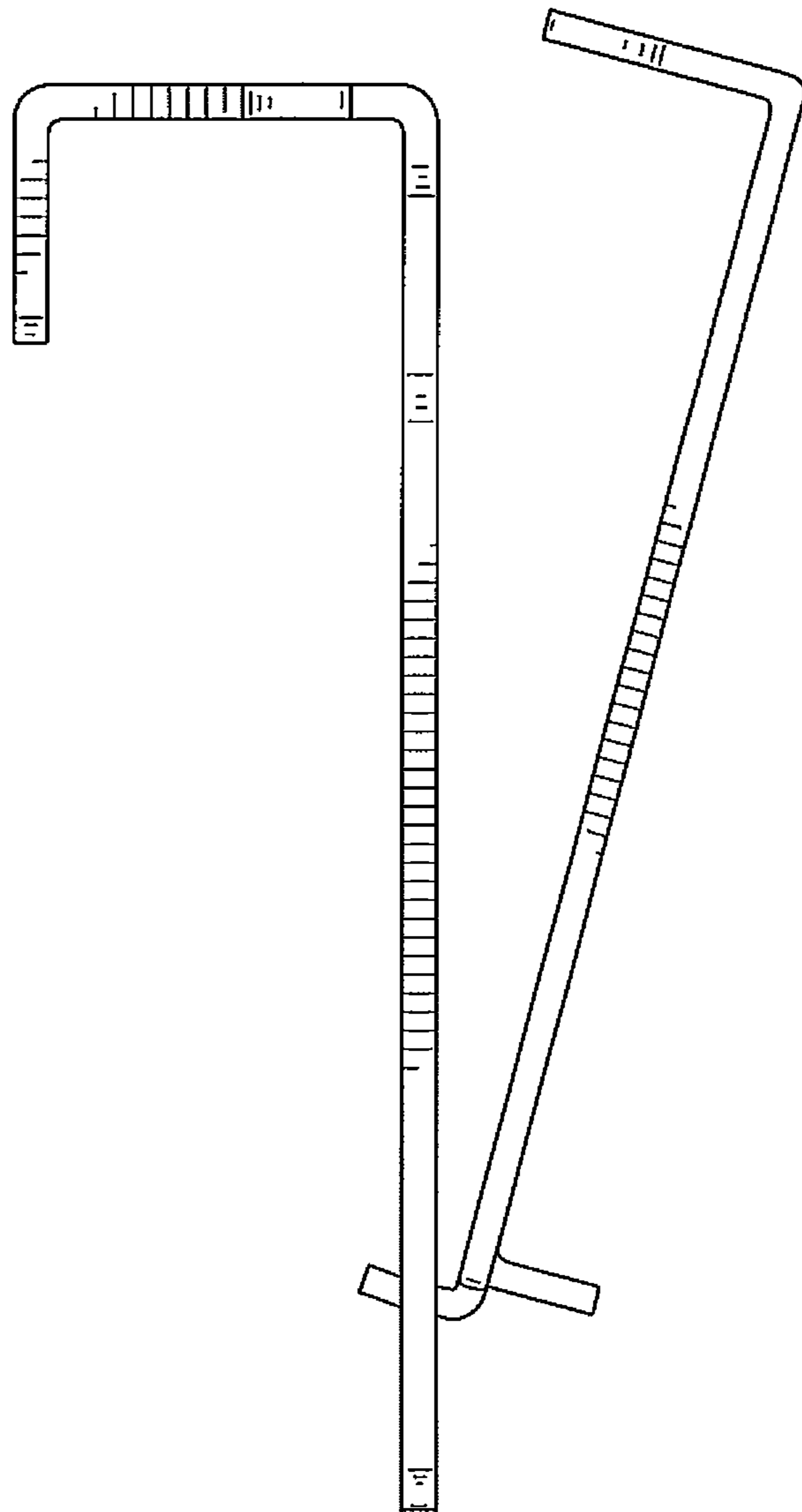


FIG. 12

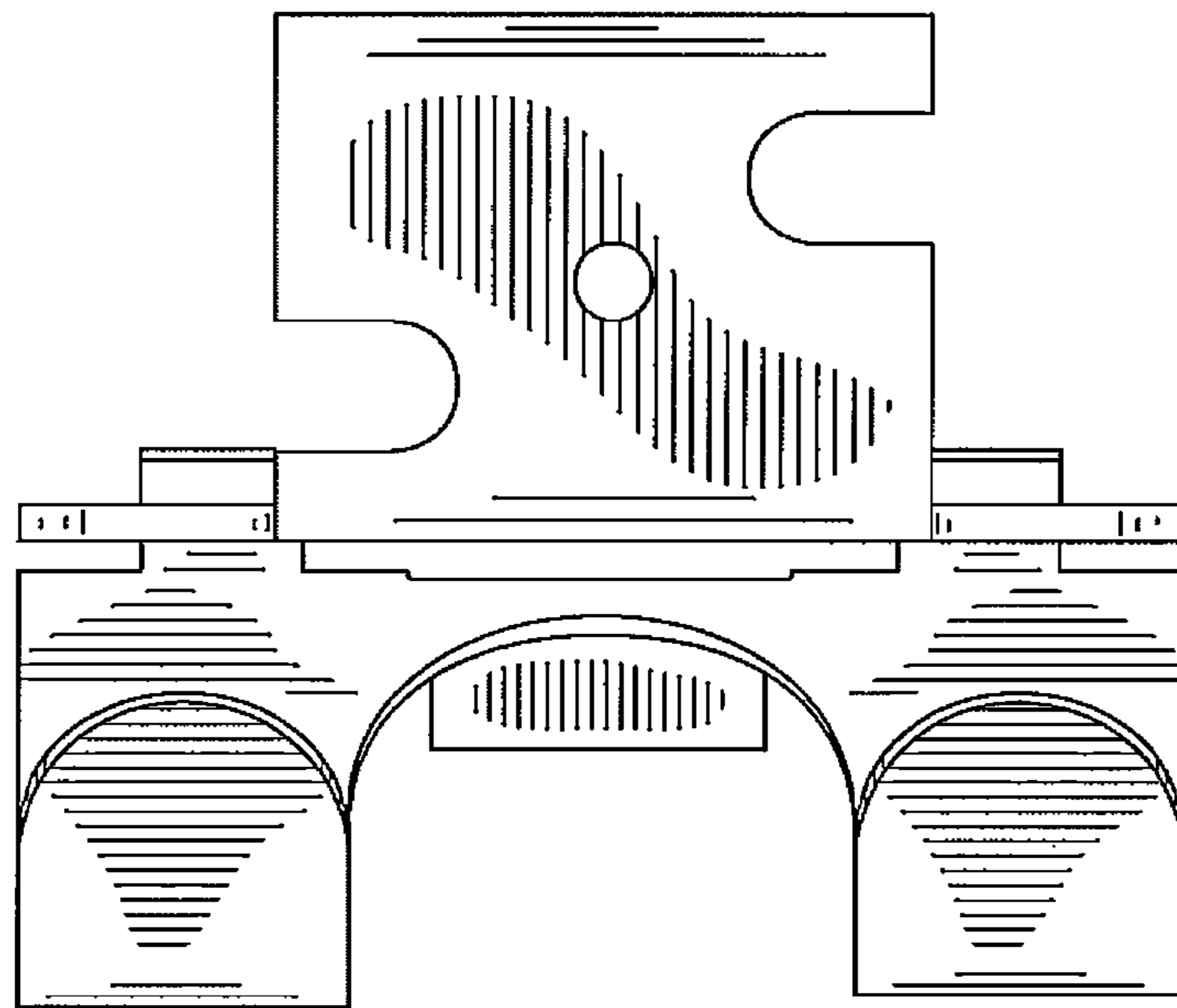


FIG. 13

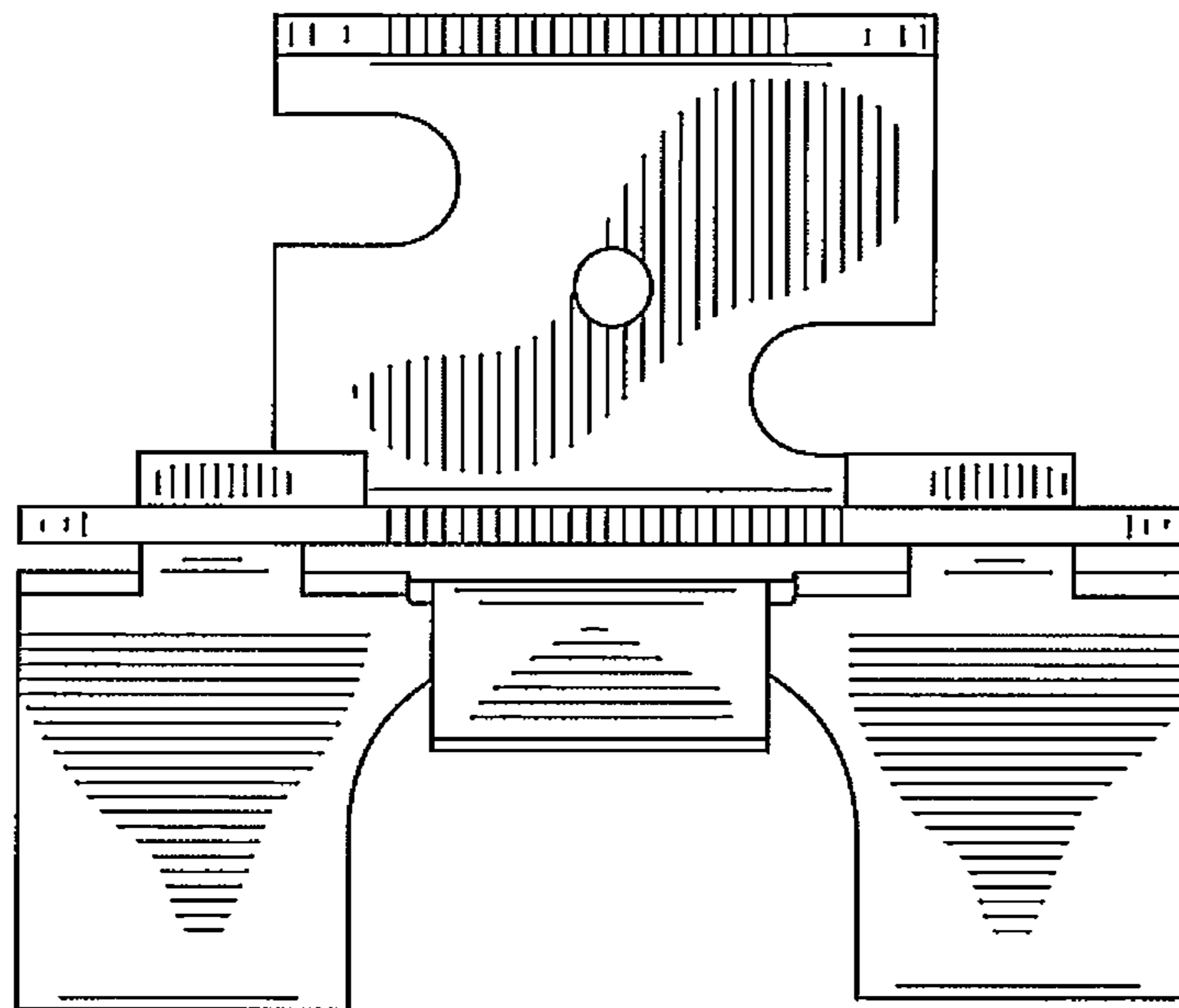


FIG. 14

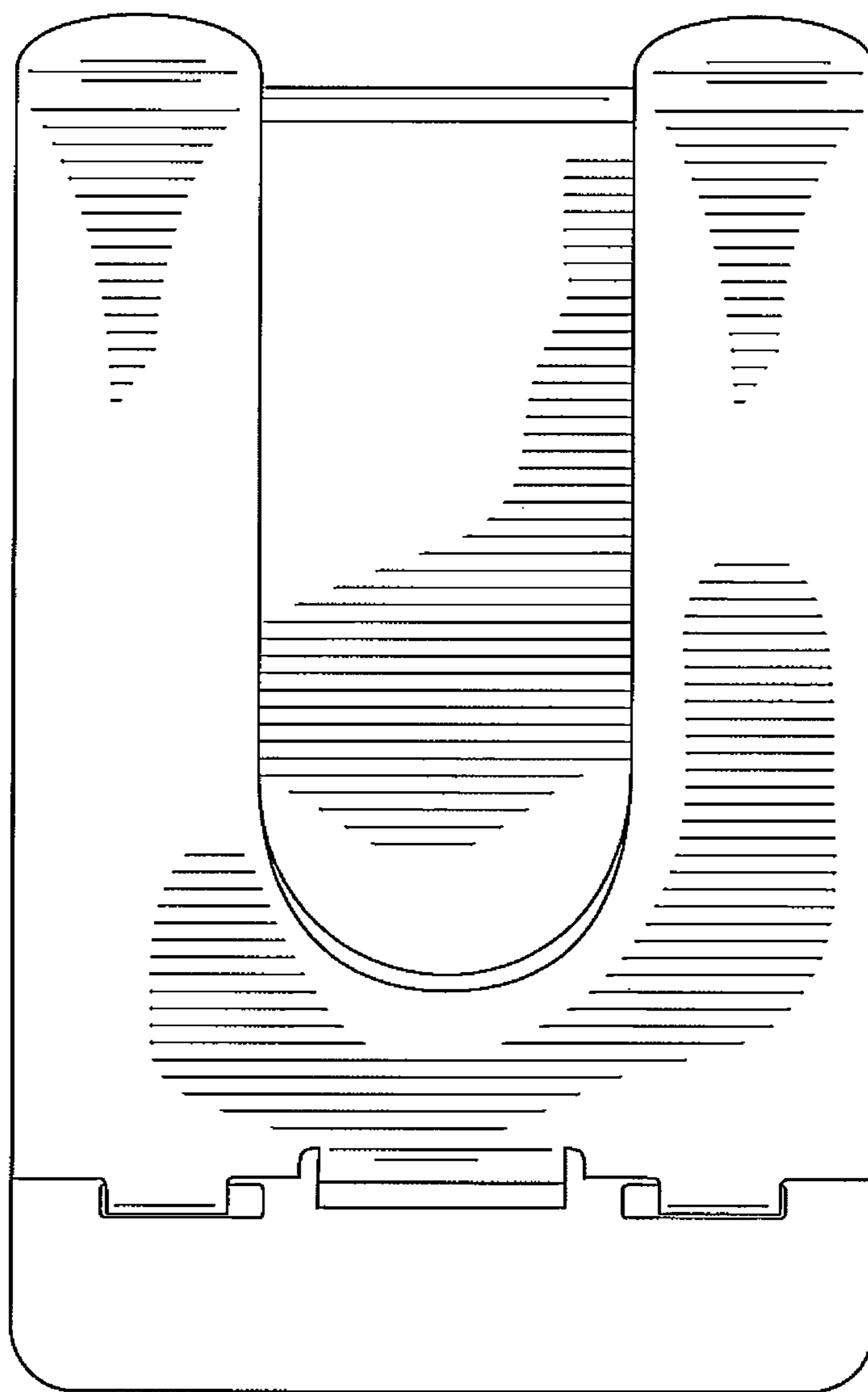


FIG. 15

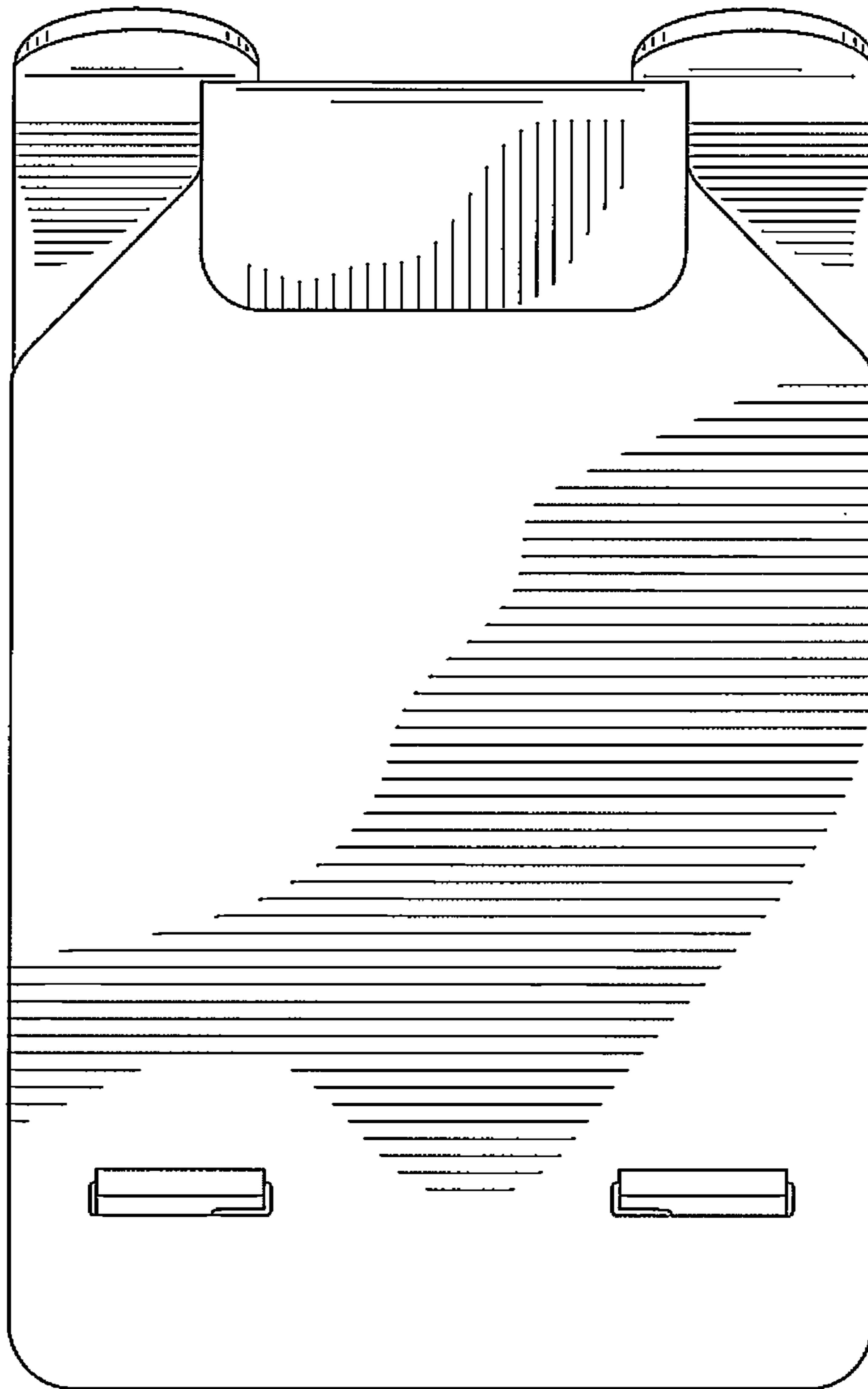


FIG. 16