



US00D711212S

(12) **United States Design Patent**
Petzl

(10) **Patent No.:** **US D711,212 S**
(45) **Date of Patent:** **** Aug. 19, 2014**

(54) **ROPE CLAMP**

(71) Applicant: **Zedel**, Crolles (FR)

(72) Inventor: **Paul Petzl**, Barraux (FR)

(73) Assignee: **Zedel**, Crolles (FR)

(**) Term: **14 Years**

(21) Appl. No.: **29/444,537**

(22) Filed: **Jan. 31, 2013**

(30) **Foreign Application Priority Data**

Aug. 7, 2012 (EP) 002084475

(51) **LOC (10) Cl.** **08-05**

(52) **U.S. Cl.**

USPC **D8/356**

(58) **Field of Classification Search**

USPC D8/367, 370, 365, 351, 356, 354, 382,
D8/383, 336, 396, 394, 349, 384, 395,
D8/355; D21/304, 383, 415; 248/74.1, 72,
248/49, 68.1, 544, 73, 74.3, 215, 301, 339,
248/349.1, 227.2, 231.81, 304, 309.1;
24/136 R, 136 A, 16 B, 545; 182/3, 18,
182/2; D9/456; D13/155; D6/323;
174/153 G, 135, 72 A, 152 G; 5/503.1;
138/106; 52/144

See application file for complete search history.

(56) **References Cited**

U.S. PATENT DOCUMENTS

3,262,171	A *	7/1966	Scholz	24/134 R
D219,363	S *	12/1970	Mackness	D8/355
D219,364	S *	12/1970	Mackness	D8/355
3,743,050	A *	7/1973	Danz	182/9
3,824,653	A *	7/1974	Sholler	24/134 KB
5,156,240	A *	10/1992	Ostrobrod	188/65.1
D597,403	S *	8/2009	Ho et al.	D8/396
D633,783	S *	3/2011	Iwama	D8/395
D683,609	S *	6/2013	Frank et al.	D8/323
8,540,215	B2 *	9/2013	Iwama	254/134.3 R

* cited by examiner

Primary Examiner — Cynthia Underwood
(74) *Attorney, Agent, or Firm* — Oliff PLC

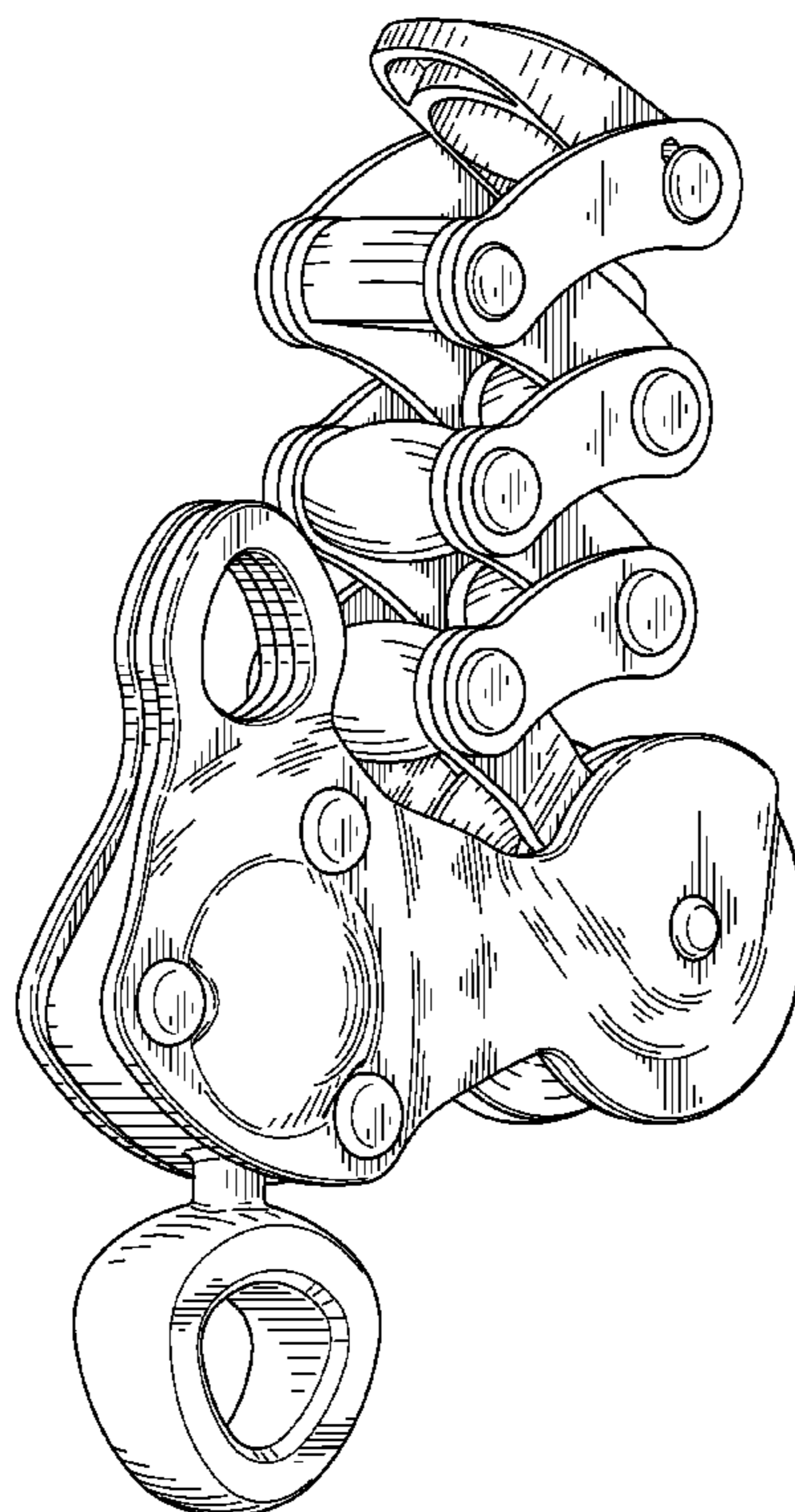
(57) **CLAIM**

The ornamental design for a rope clamp, as shown and described.

DESCRIPTION

FIG. 1 is a perspective view of a rope clamp;
FIG. 2 is a front view thereof;
FIG. 3 is a top view thereof;
FIG. 4 is a left-side view thereof;
FIG. 5 is a right-side view thereof;
FIG. 6 is a rear view thereof; and,
FIG. 7 is a bottom view thereof.
The broken lines depict environmental subject matter only and form no part of the claimed design.

1 Claim, 6 Drawing Sheets



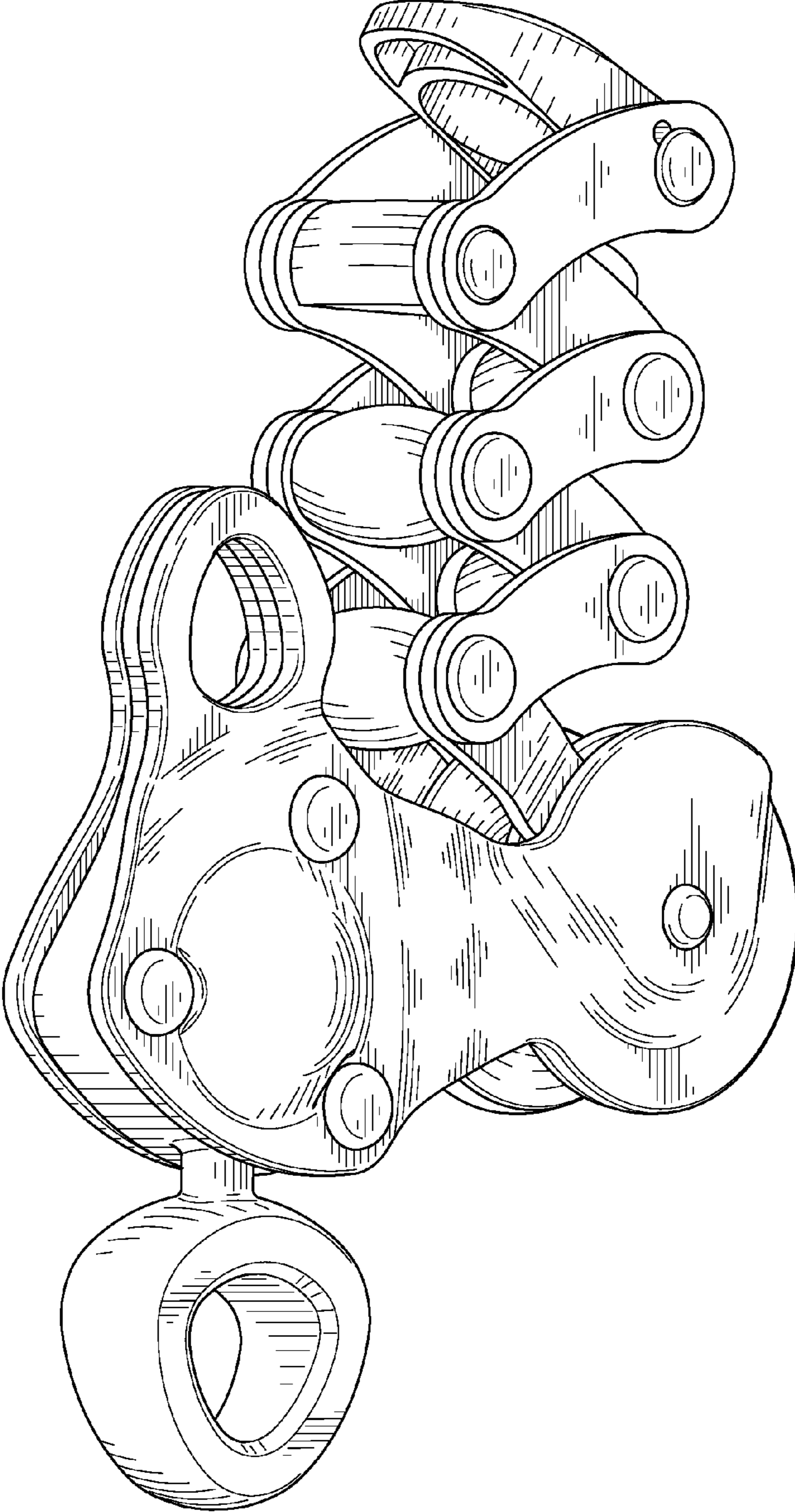


FIG. 1

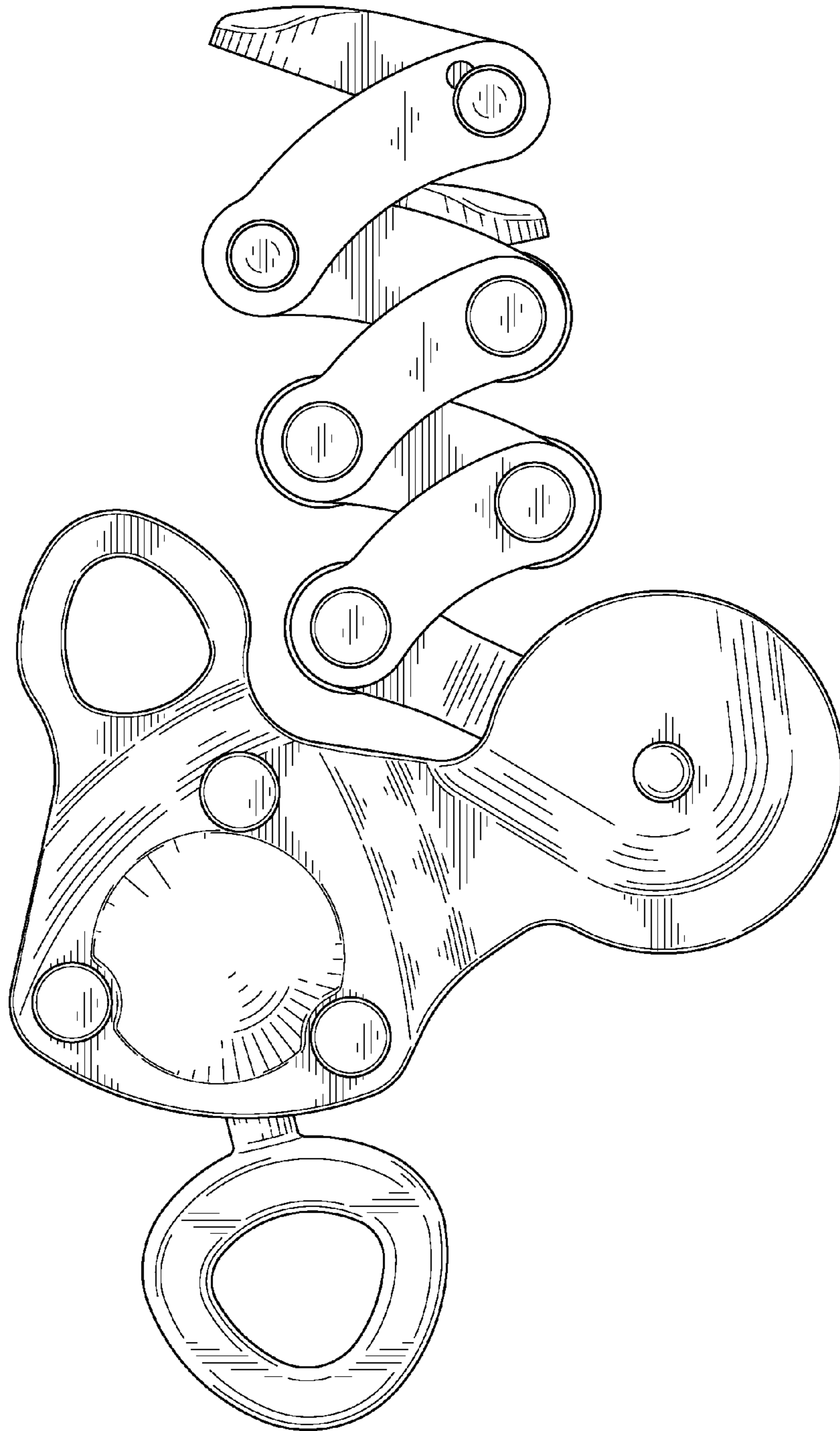


FIG. 2

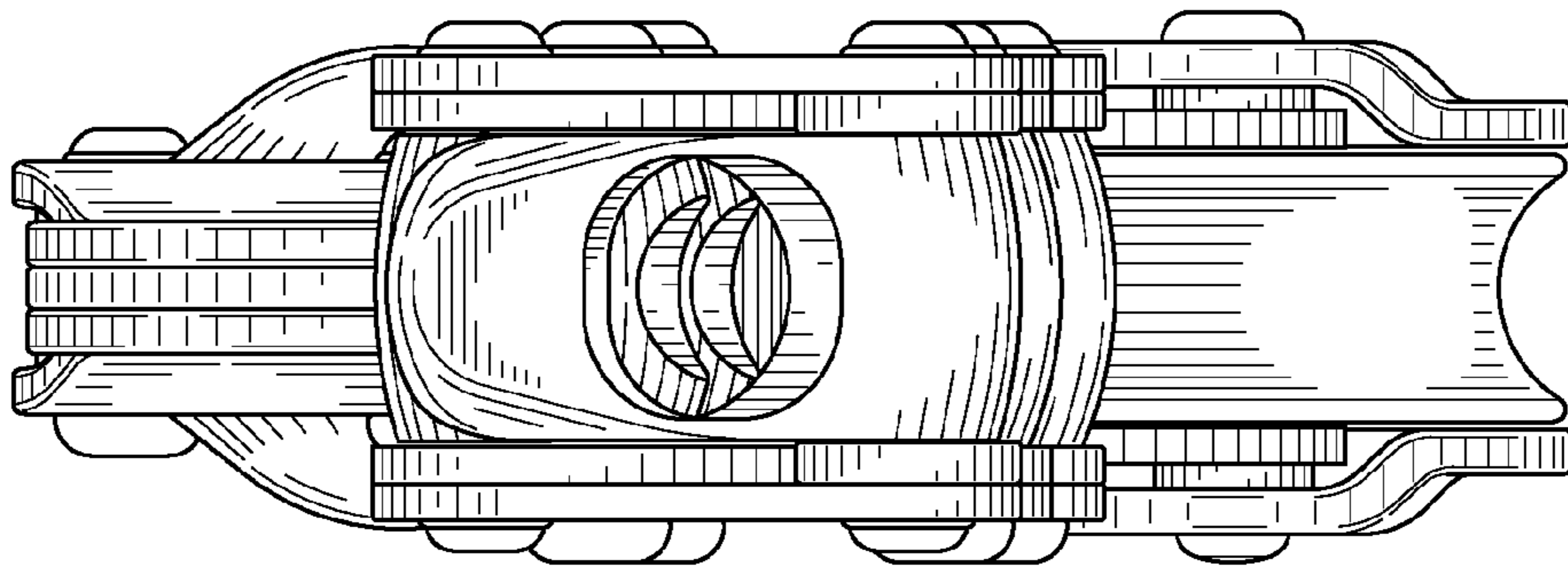


FIG. 3

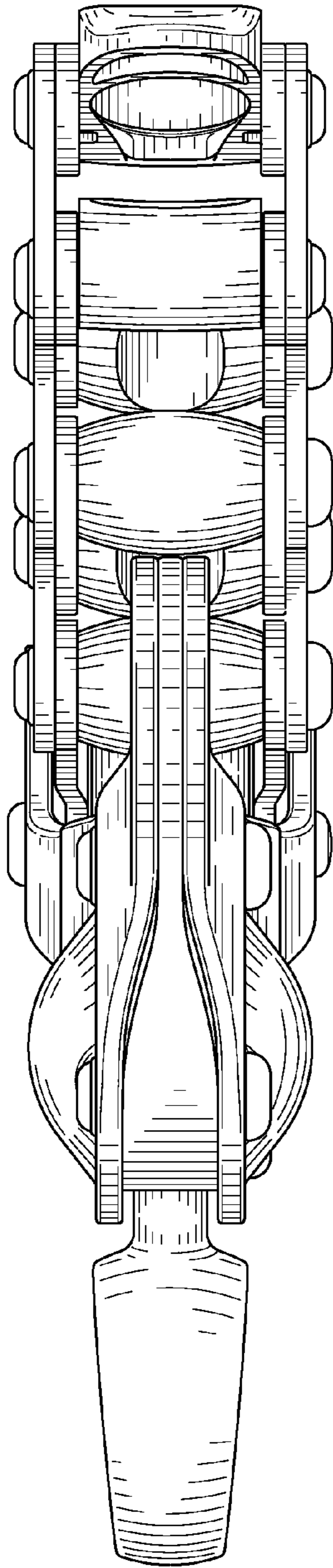


FIG. 4

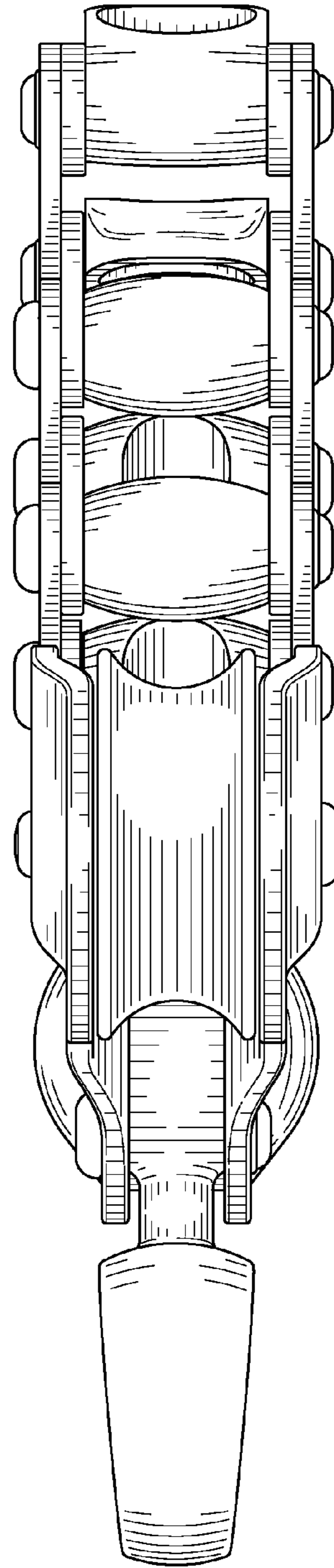


FIG. 5

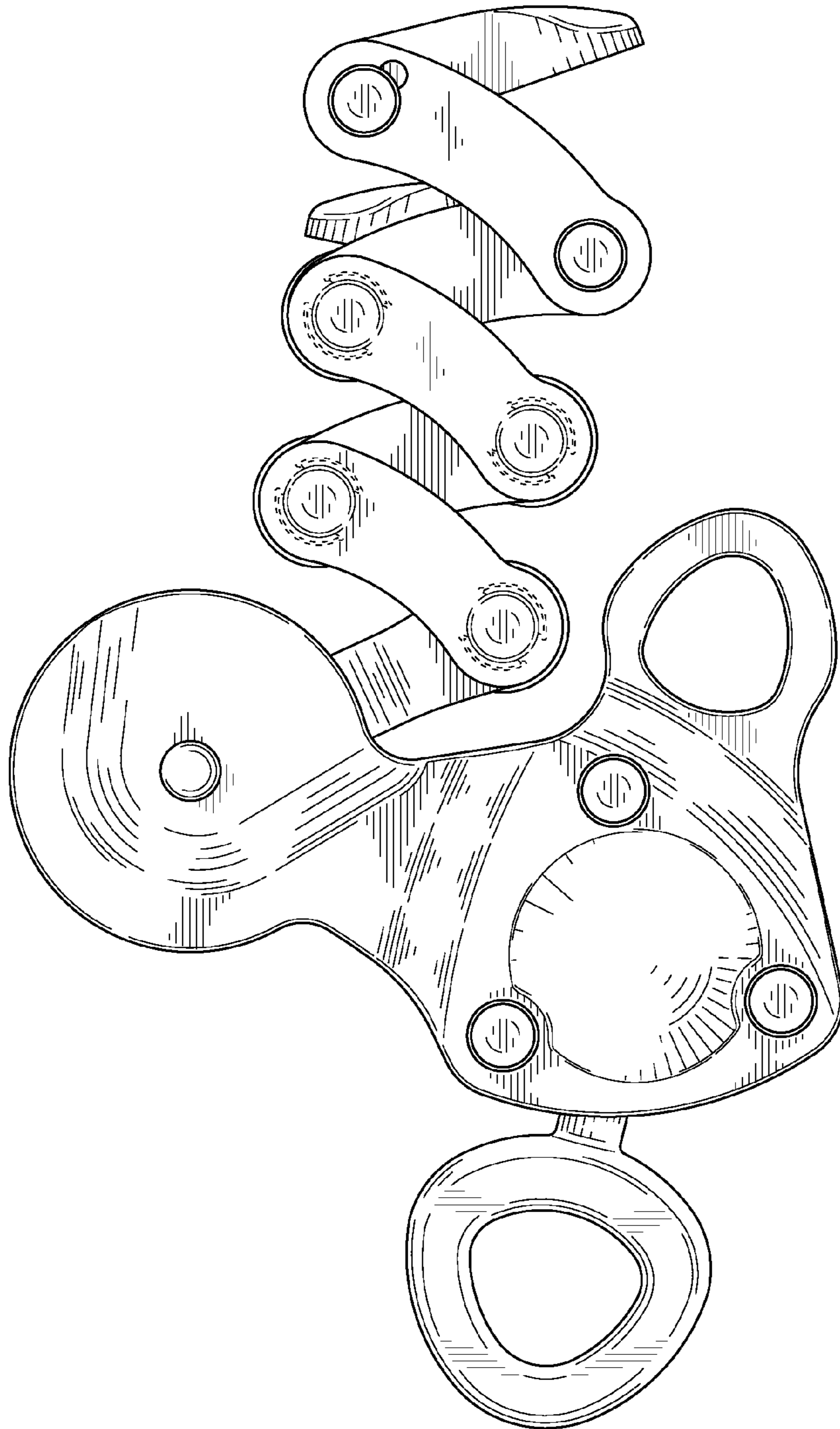


FIG. 6

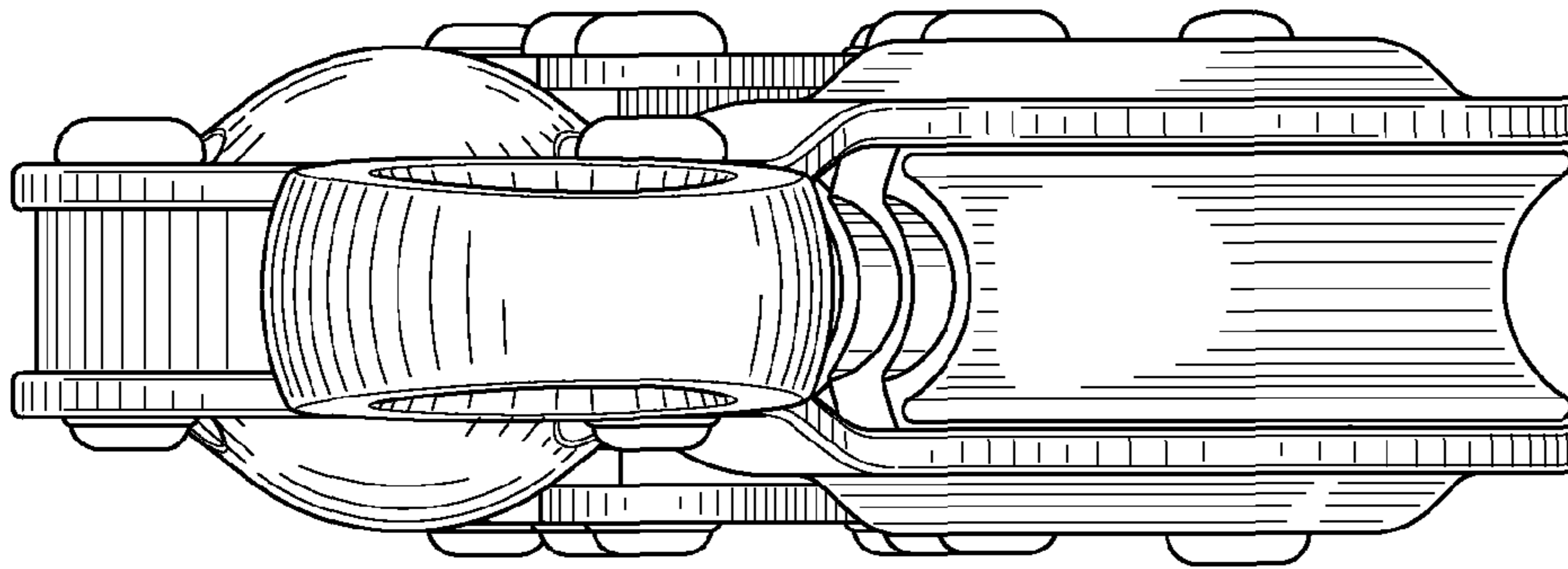


FIG. 7