



US00D711211S

(12) **United States Design Patent**
Walker et al.

(10) **Patent No.:** **US D711,211 S**

(45) **Date of Patent:** **** Aug. 19, 2014**

(54) **FASCIA MOUNT BRACKET**

(71) Applicant: **Peak Innovations Inc.**, Richmond (CA)

(72) Inventors: **Simon Walker**, Delta (CA); **Hou Jun (Frank) Fan**, Surrey (CA)

(73) Assignee: **Peak Innovations Inc.**, Richmond (CA)

(**) Term: **14 Years**

(21) Appl. No.: **29/433,249**

(22) Filed: **Sep. 27, 2012**

(51) **LOC (10) Cl.** **08-08**

(52) **U.S. Cl.**
USPC **D8/349**

(58) **Field of Classification Search**
USPC D8/349, 354, 380, 382, 366; 248/300,
248/237, 309.1; 52/188, 182, 191, 702,
52/712, 745.06, 189, 506.5, 586.1;
29/428, 525.01, 464; 249/14, 205, 208;
403/167, 169

See application file for complete search history.

(56) **References Cited**

U.S. PATENT DOCUMENTS

922,215	A *	5/1909	Tuteur	403/190
2,477,163	A *	7/1949	Barnett	403/205
D226,421	S *	3/1973	Rich	D8/380
D250,391	S *	11/1978	France	D8/380
D267,308	S *	12/1982	France	D8/380
D288,281	S *	2/1987	Spicer	D8/373
D326,604	S *	6/1992	Stubbersfield et al.	D8/373
5,170,977	A *	12/1992	McMillan	248/300
D378,986	S *	4/1997	Darula	D8/354
D484,029	S *	12/2003	Bainbridge	D8/380
D489,601	S *	5/2004	Meeker	D8/380
D531,490	S *	11/2006	Walker	D8/380
D551,537	S *	9/2007	Richardson	D8/354
D555,468	S *	11/2007	Caswell et al.	D8/380
D579,321	S *	10/2008	Townley	D8/354

D590,697	S *	4/2009	Townley	D8/354
D612,224	S *	3/2010	Wendt	D8/354
D688,547	S *	8/2013	Waugh et al.	D8/349
8,720,839	B2 *	5/2014	Lijesnic	248/300
2004/0041141	A1 *	3/2004	Cannon	256/65.05
2014/0054428	A1 *	2/2014	Walker et al.	248/218.4
2014/0082921	A1 *	3/2014	Adams, Jr.	29/525.02

OTHER PUBLICATIONS

ALCO, ProBuilt (Do-It-Yourself Aluminum Railings) 2011, Catalogue & Price List, pp. 1 to 8.

ALCO, ProBuilt (Do-It-Yourself Fencing) 2011, Product Fencing, pp. 1 to 3.

BW Creative Wood Industries Ltd., ProBuilt (Do-It-Yourself Aluminum Railings) 2012, Canadian Market Catalogue, pp. 1 to 5.

* cited by examiner

Primary Examiner — Mark Goodwin

(74) *Attorney, Agent, or Firm* — Smiths IP

(57) **CLAIM**

The ornamental design for a fascia mount bracket, as shown and described.

DESCRIPTION

FIG. 1 is a perspective view of the fascia mount bracket in accordance with the design;

FIG. 2 is a front view of the fascia mount bracket shown in FIG. 1;

FIG. 3 is a rear view of the fascia mount bracket shown in FIG. 1;

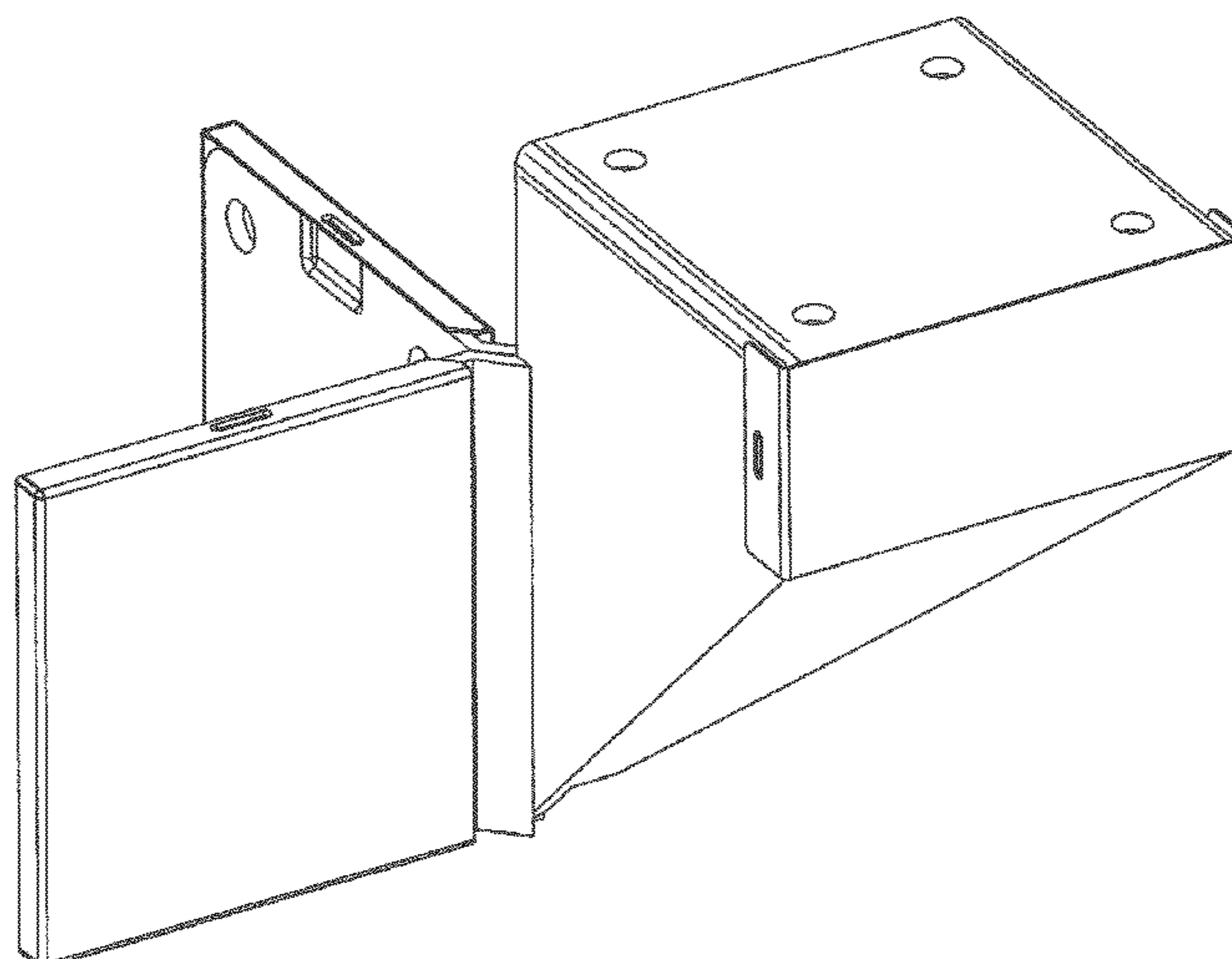
FIG. 4 is a left side view of the fascia mount bracket shown in FIG. 1;

FIG. 5 is a right side view of the fascia mount bracket shown in FIG. 1;

FIG. 6 is a top view of the fascia mount bracket shown in FIG. 1; and,

FIG. 7 is a bottom view of the fascia mount bracket shown in FIG. 1.

1 Claim, 7 Drawing Sheets



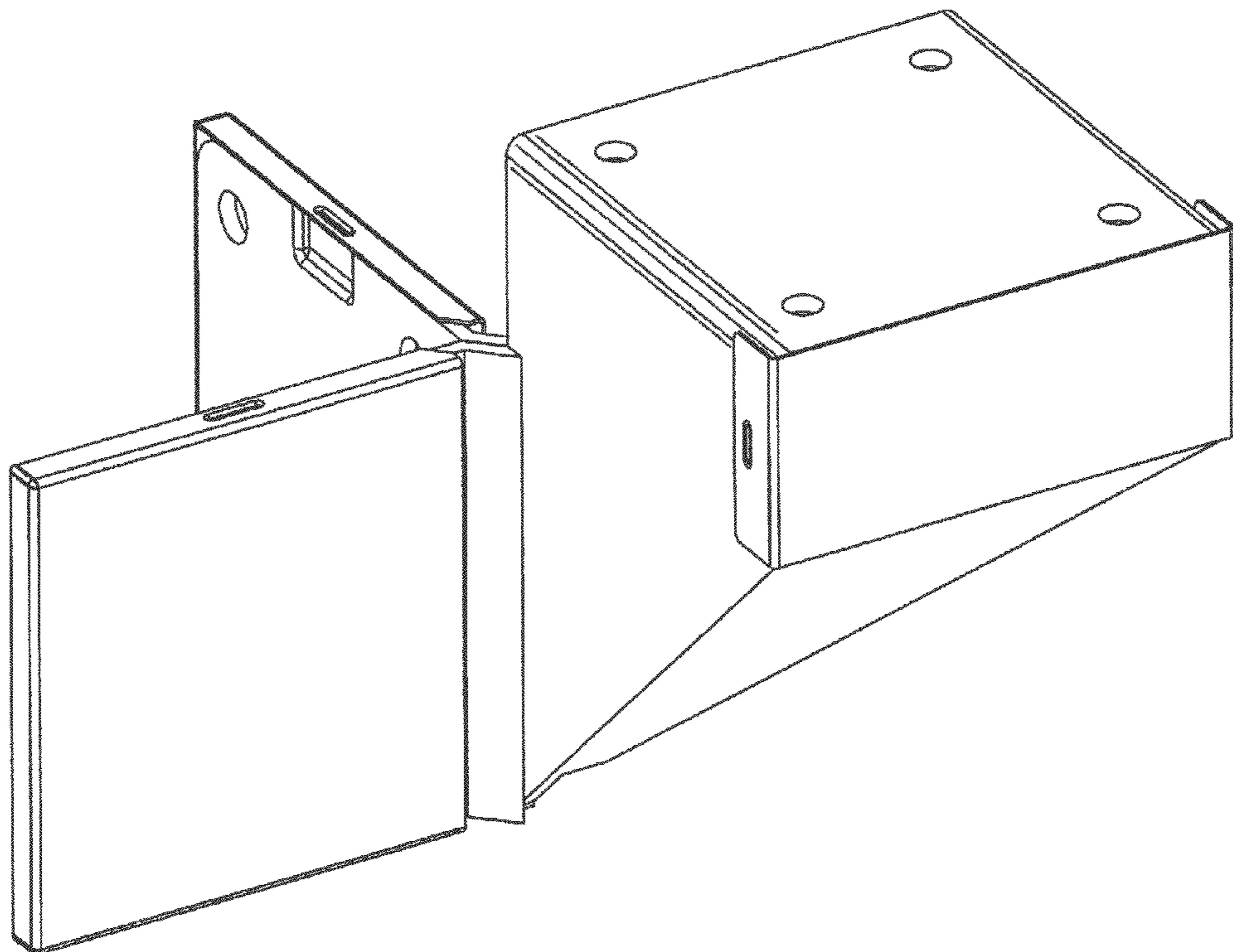


FIG. 1

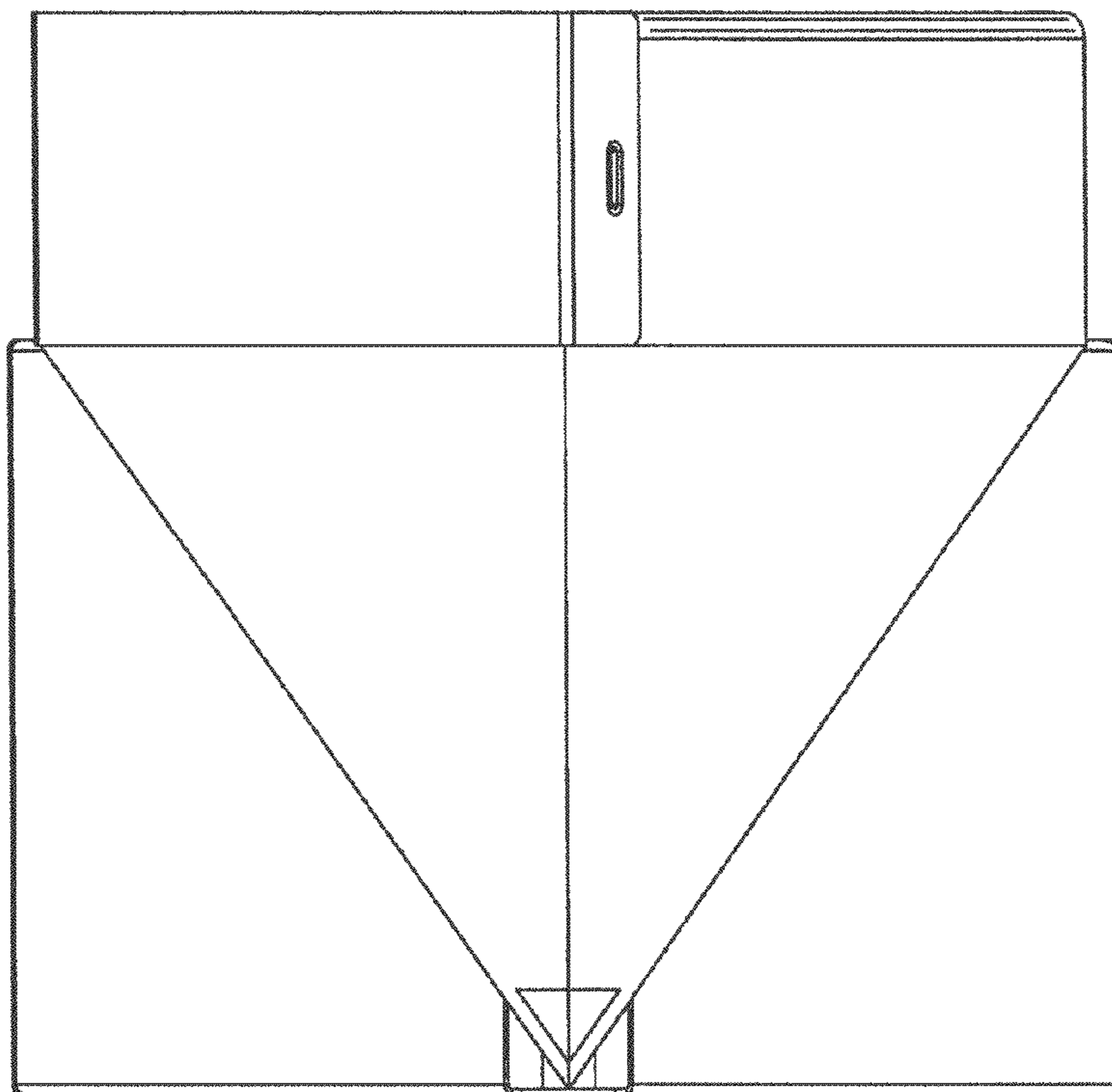


FIG. 2

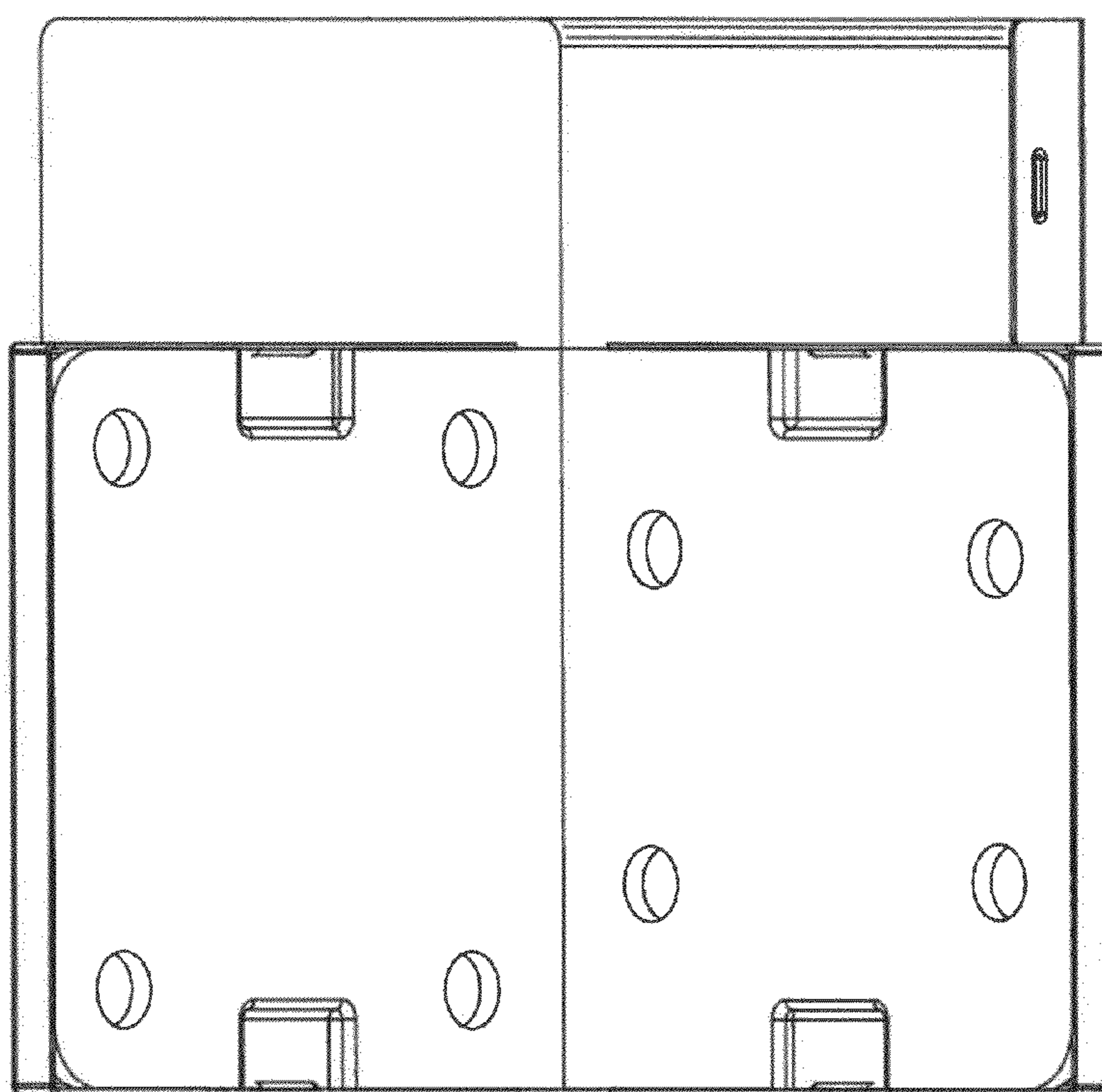


FIG. 3

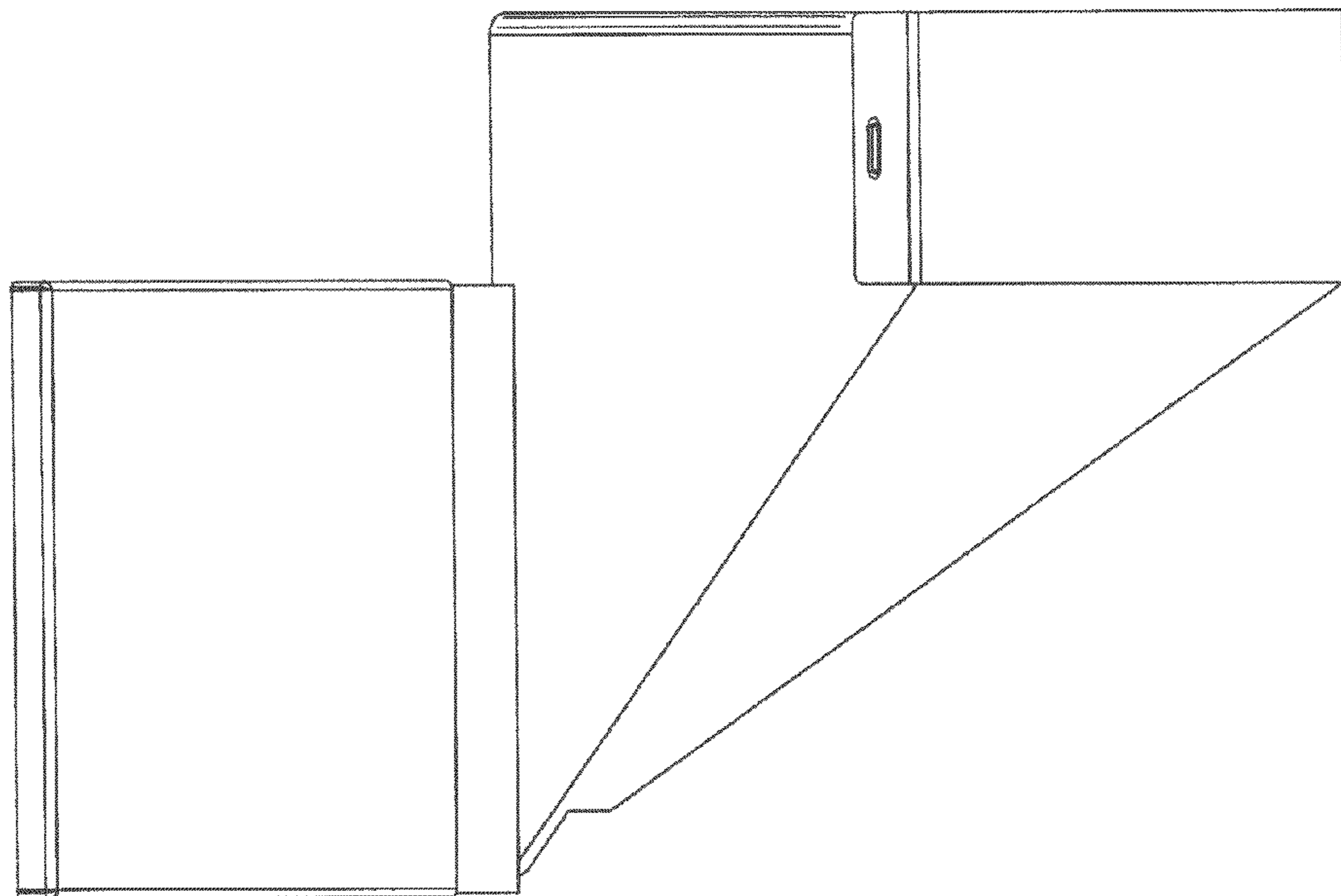


FIG. 4

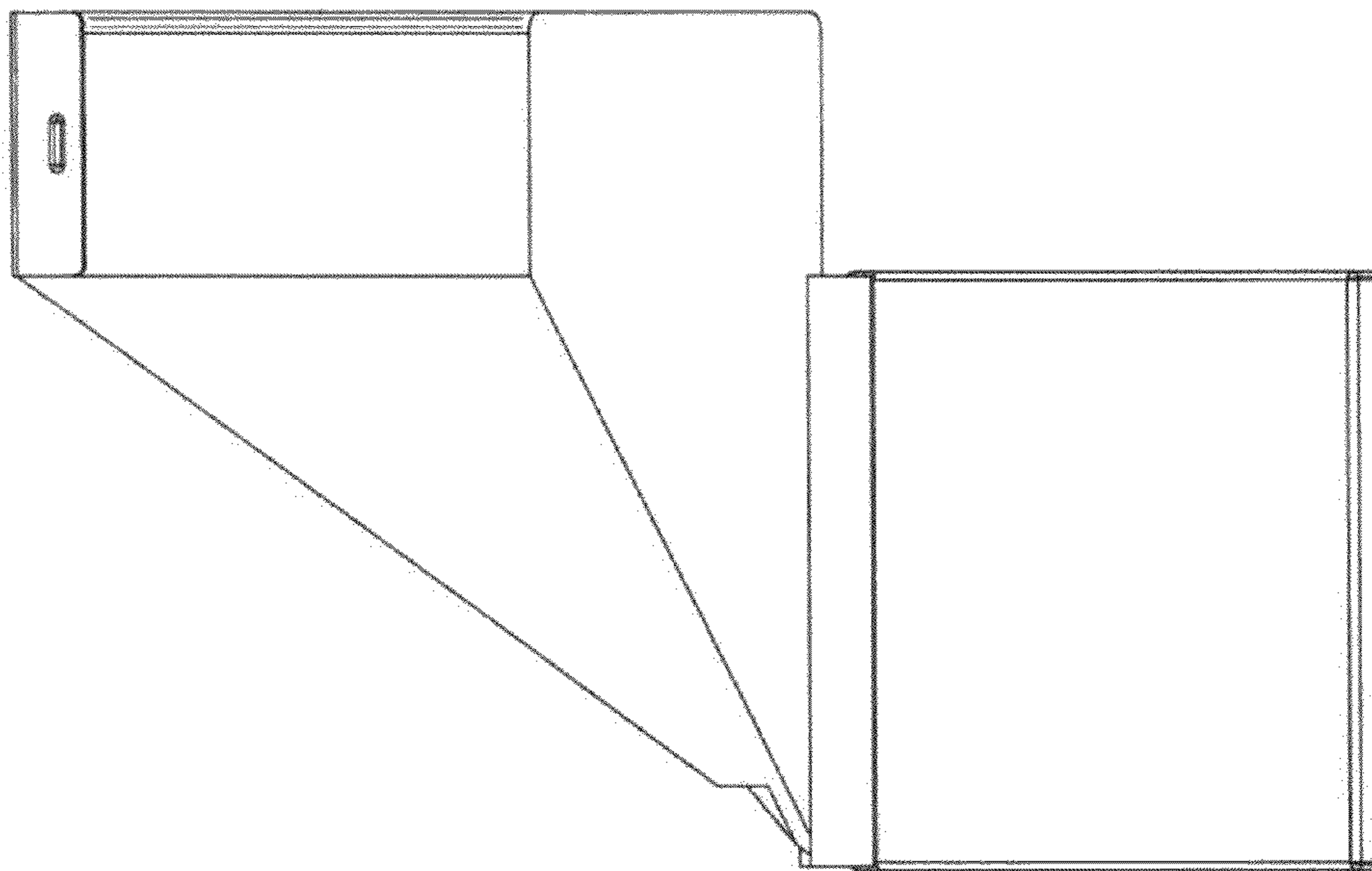


FIG. 5

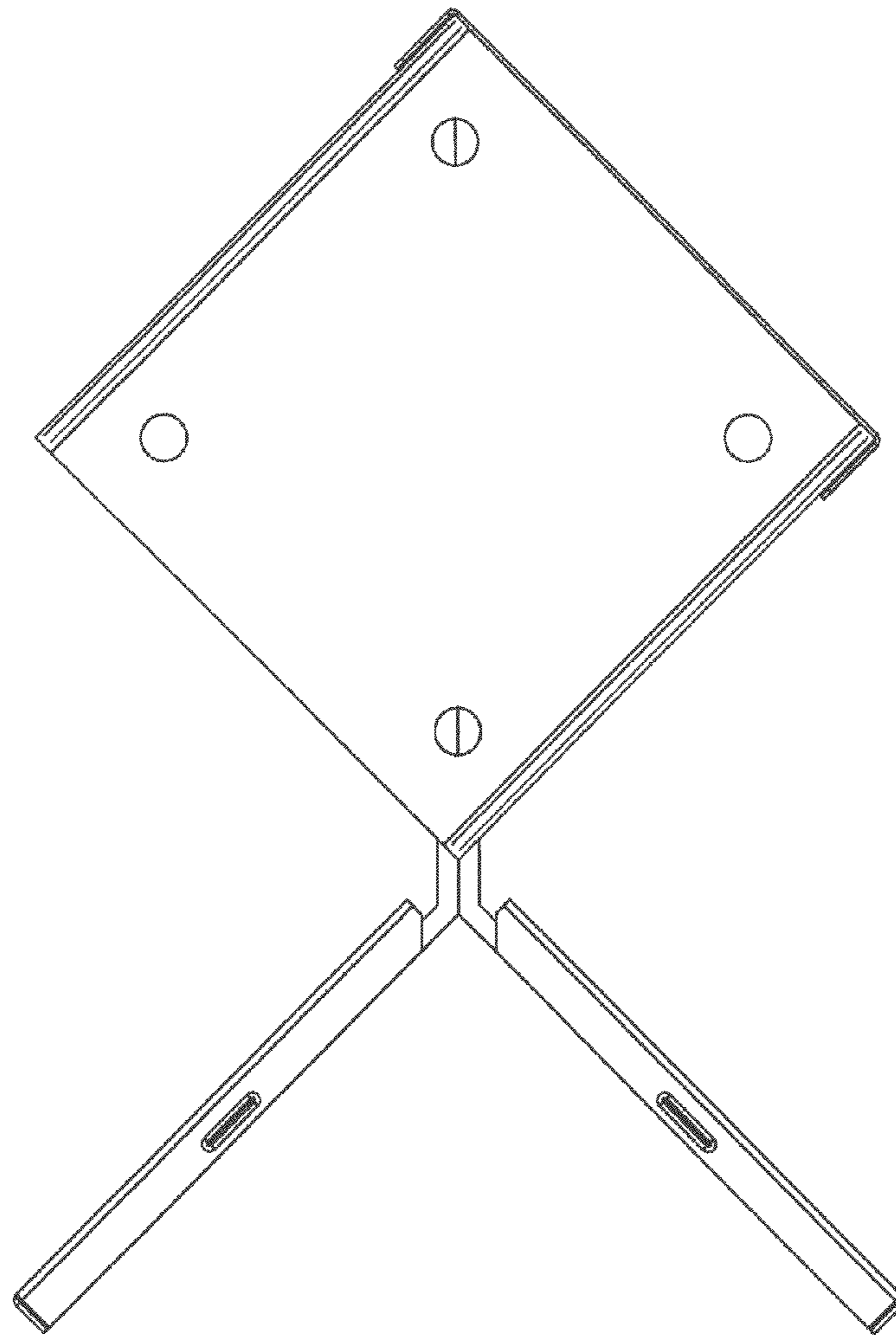


FIG. 6

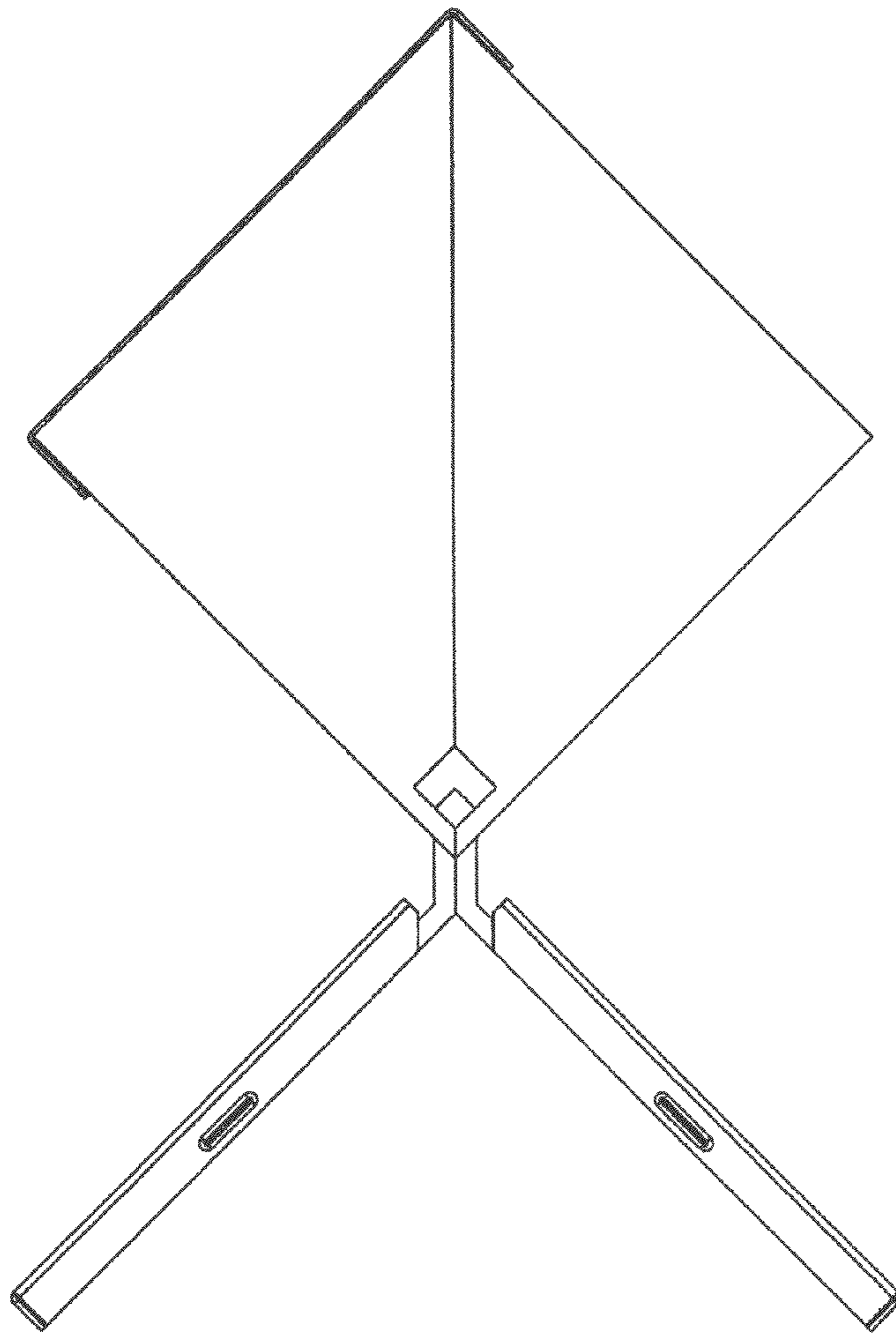


FIG. 7