



US00D711208S

(12) **United States Design Patent**  
**Hardinge et al.**

(10) **Patent No.:** **US D711,208 S**  
(45) **Date of Patent:** **\*\* Aug. 19, 2014**

(54) **MULTI-FUNCTION TOOL**

(71) Applicant: **Fiskars Brands, Inc.**, Madison, WI (US)

(72) Inventors: **Hal Hardinge**, Tigard, OR (US); **Darrin Seeds**, Vancouver, WA (US)

(73) Assignee: **Fiskars Brands, Inc.**, Madison, WI (US)

(\*\*) Term: **14 Years**

(21) Appl. No.: **29/445,605**

(22) Filed: **Feb. 13, 2013**

(51) **LOC (10) Cl.** ..... **08-05**

(52) **U.S. Cl.**  
USPC ..... **D8/105; D8/107**

(58) **Field of Classification Search**  
USPC ..... D8/4, 5, 14, 16, 18, 19, 20, 22-29, 33, D8/34, 38-43, 51, 52, 55, 57, 75, 81-87, D8/98, 104-107, 354, 356, 358, 360.1; 7/107, 128, 151-166; 30/151, 359, 30/366; D3/24, 25, 207-208, 210, 228; D10/46.2, 62; 362/119; 206/38, 232, 206/234; 81/3.09, 437, 440; D7/368, 665, D7/669

See application file for complete search history.

(56) **References Cited**

**U.S. PATENT DOCUMENTS**

4,967,435	A	11/1990	Seals
5,303,439	A	4/1994	Seals
5,357,643	A	10/1994	Seals
D354,215	S	1/1995	Seals
RE35,424	E	1/1997	Seals
5,916,277	A	6/1999	Dallas
6,523,203	B2	2/2003	Harrison
6,625,832	B2	9/2003	Montague et al.
D480,940	S	10/2003	Dallas
D480,941	S	10/2003	Dallas

D481,289	S	10/2003	Dallas	
6,721,983	B2	4/2004	Dallas et al.	
6,721,984	B1	4/2004	Harrison	
D494,438	S *	8/2004	Falkenstein et al.	D8/105
7,028,591	B2	4/2006	Dallas et al.	
D623,038	S	9/2010	Seeds et al.	
D623,039	S	9/2010	Seeds et al.	
D630,079	S	1/2011	Seeds et al.	
D631,321	S *	1/2011	Robinson	D8/107
D632,155	S *	2/2011	Lai	D8/107
7,908,944	B2	3/2011	Nason et al.	
7,909,478	B2	3/2011	Dallas	
D650,257	S *	12/2011	Royes et al.	D8/105
8,087,115	B2 *	1/2012	Barber et al.	7/167

(Continued)

**OTHER PUBLICATIONS**

U.S. Appl. No. 13/659,717, filed Oct. 24, 2012, Hardinge et al.

(Continued)

*Primary Examiner* — Susan Bennett Hattan  
*Assistant Examiner* — Janice Hallmark  
(74) *Attorney, Agent, or Firm* — Foley & Lardner LLP

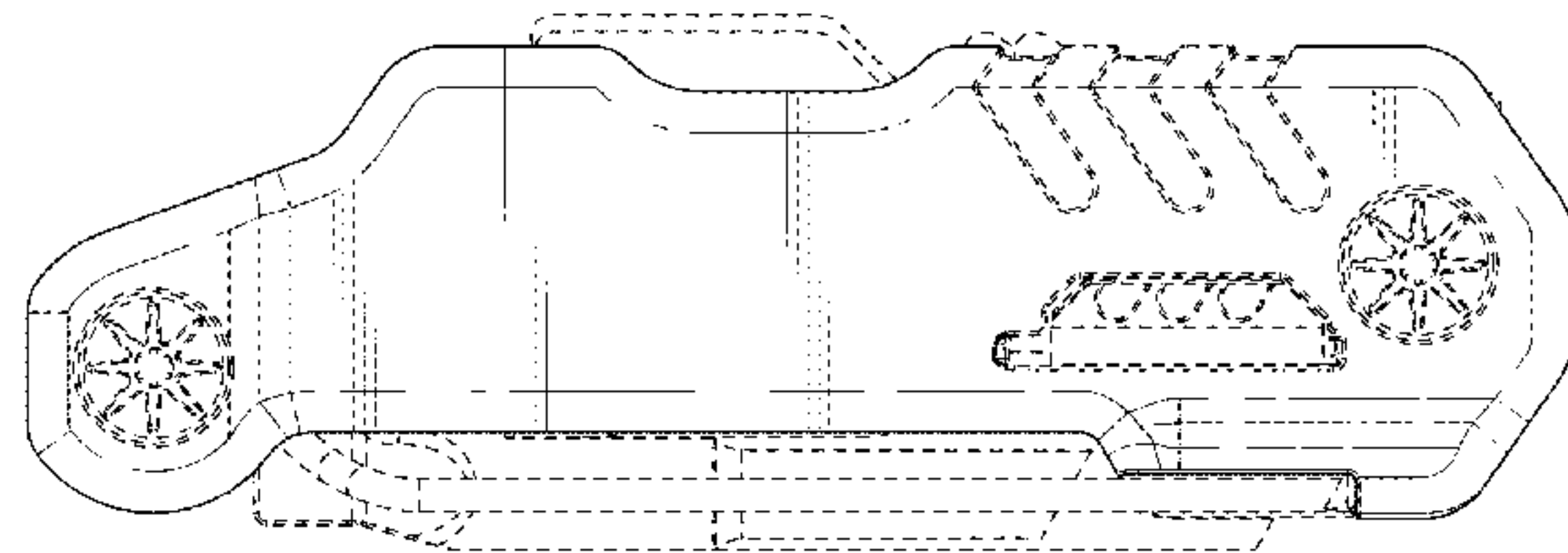
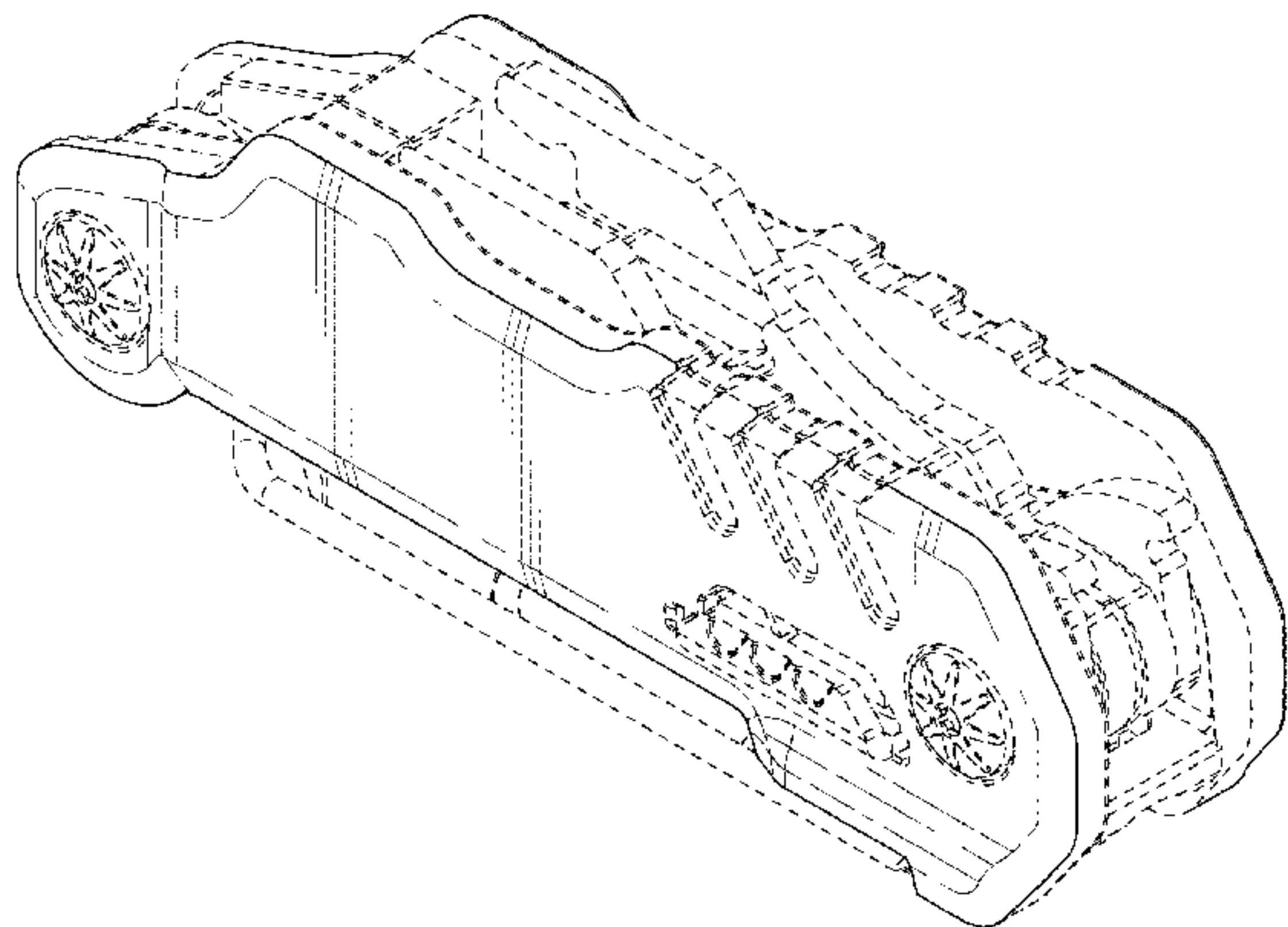
(57) **CLAIM**

We claim the ornamental design for a multi-function tool, as shown and described.

**DESCRIPTION**

FIG. 1 is a front top perspective view of a multi-function tool. FIG. 2 is a front view thereof. FIG. 3 is a rear view thereof. FIG. 4 is a right side view thereof. FIG. 5 is a left side view thereof. FIG. 6 is a top view thereof; and, FIG. 7 is a bottom view thereof. The broken lines in the drawings depict environmental subject matter and are for illustrative purposes only and form no part of the claimed design.

**1 Claim, 5 Drawing Sheets**



(56)

**References Cited**

U.S. PATENT DOCUMENTS

D660,125	S	5/2012	Seeds et al.
D660,126	S	5/2012	Cagampang et al.
D660,678	S	5/2012	Thomas et al.
2002/0124322	A1	9/2002	Montague
2006/0107800	A1	5/2006	Dallas et al.

OTHER PUBLICATIONS

U.S. Appl. No. 29/433,135, filed Sep. 26, 2012, Seeds et al.  
U.S. Appl. No. 29/435,902, filed Oct. 30, 2012, Cagampang et al.  
U.S. App. No. 29/443,359, filed Jan. 16, 2013, Seeds et al.

\* cited by examiner

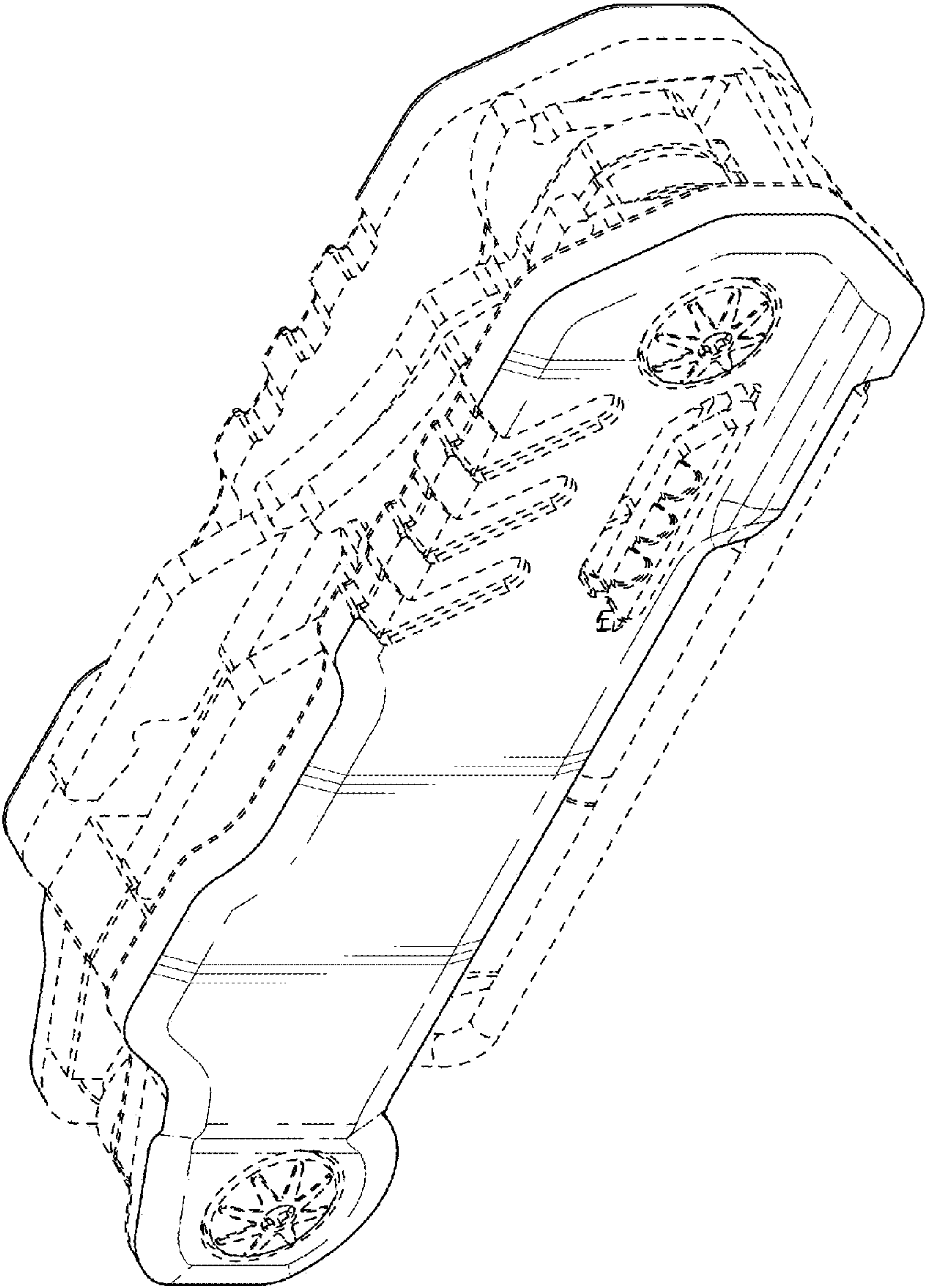


FIG. 1

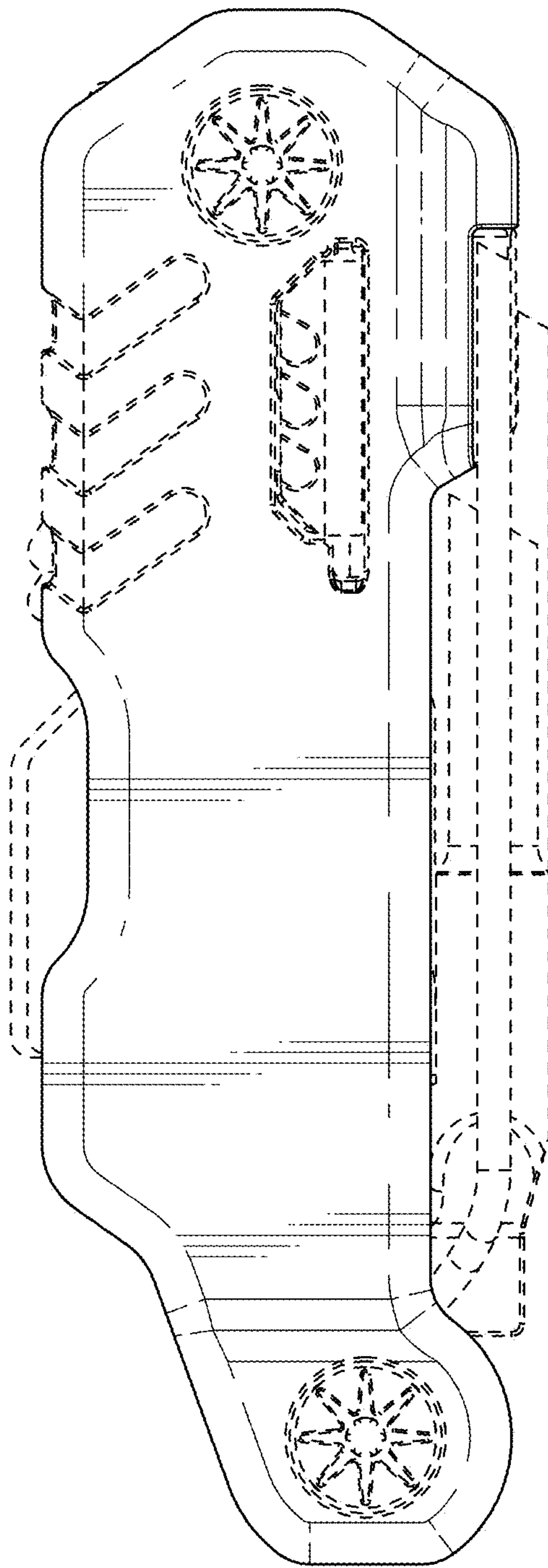


FIG. 2

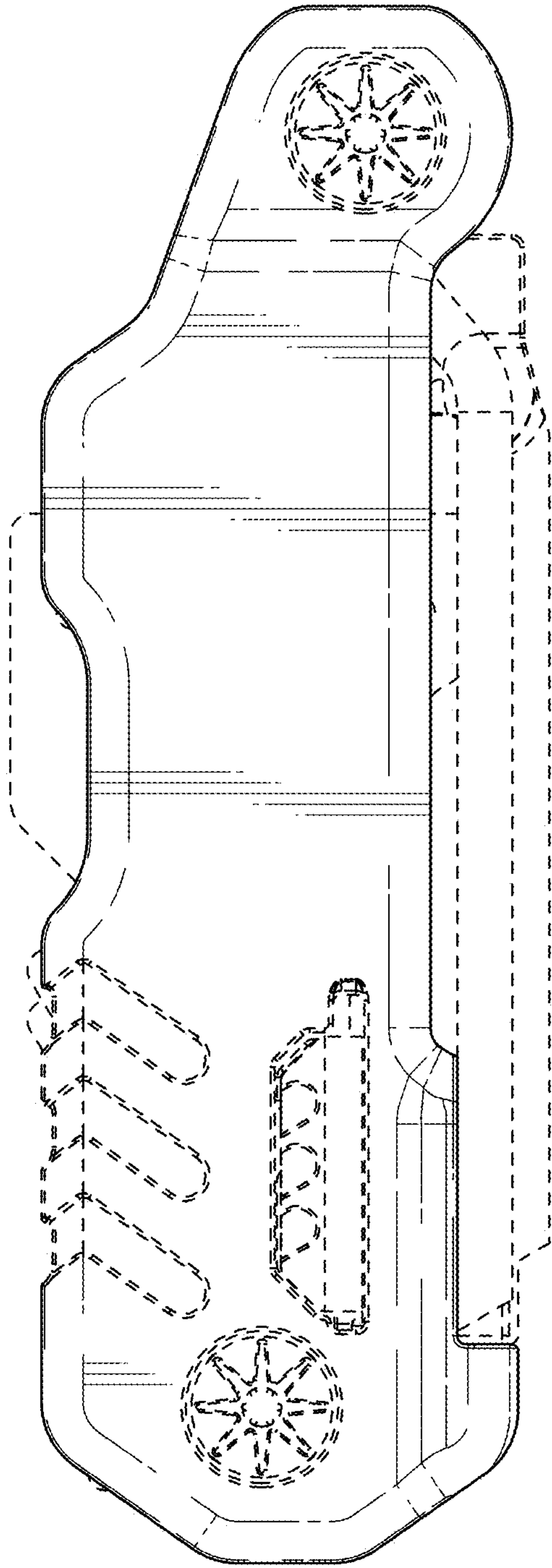


FIG. 3



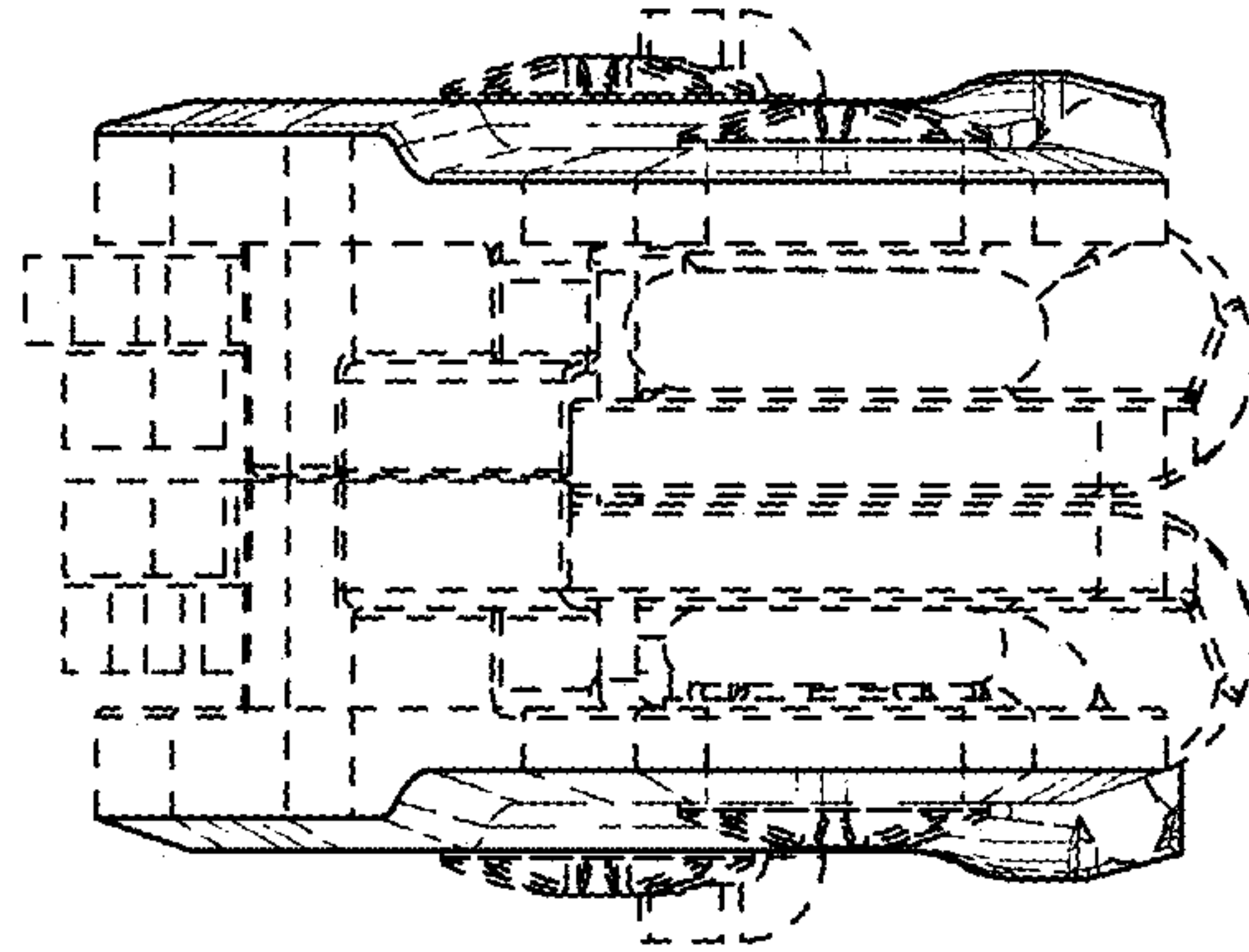


FIG. 5

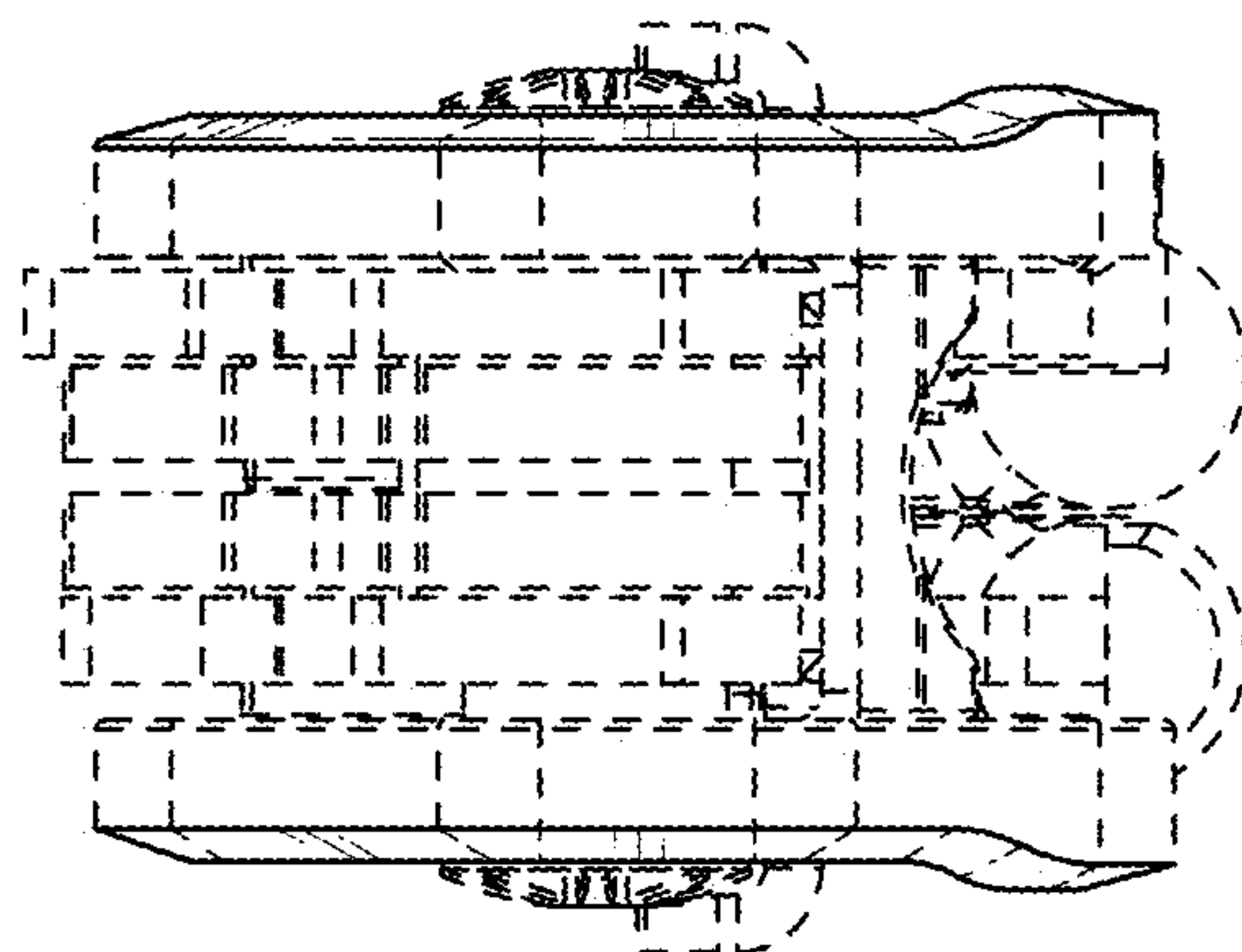


FIG. 4

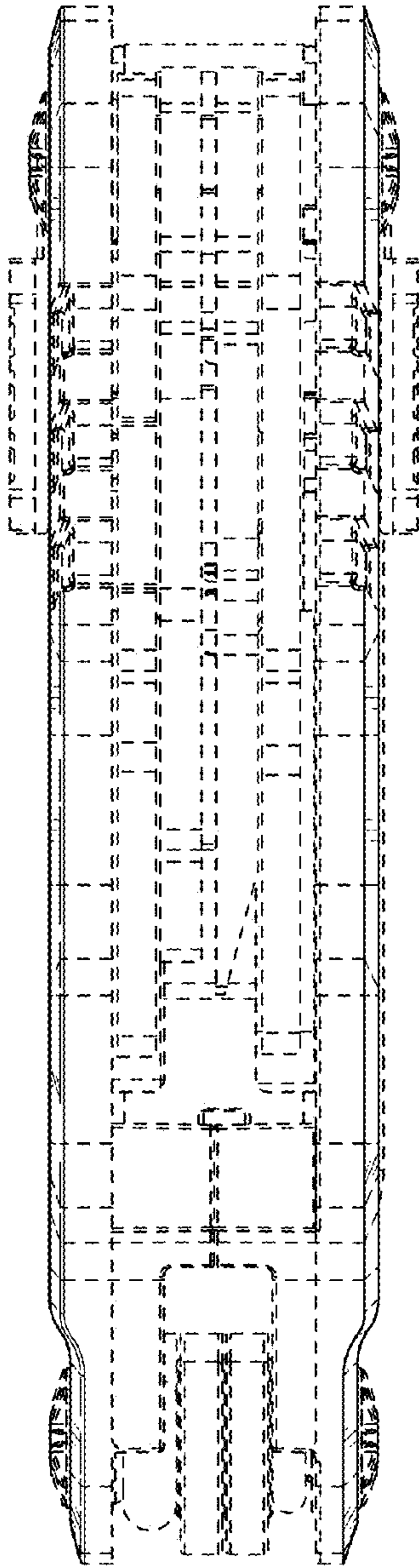


FIG. 6

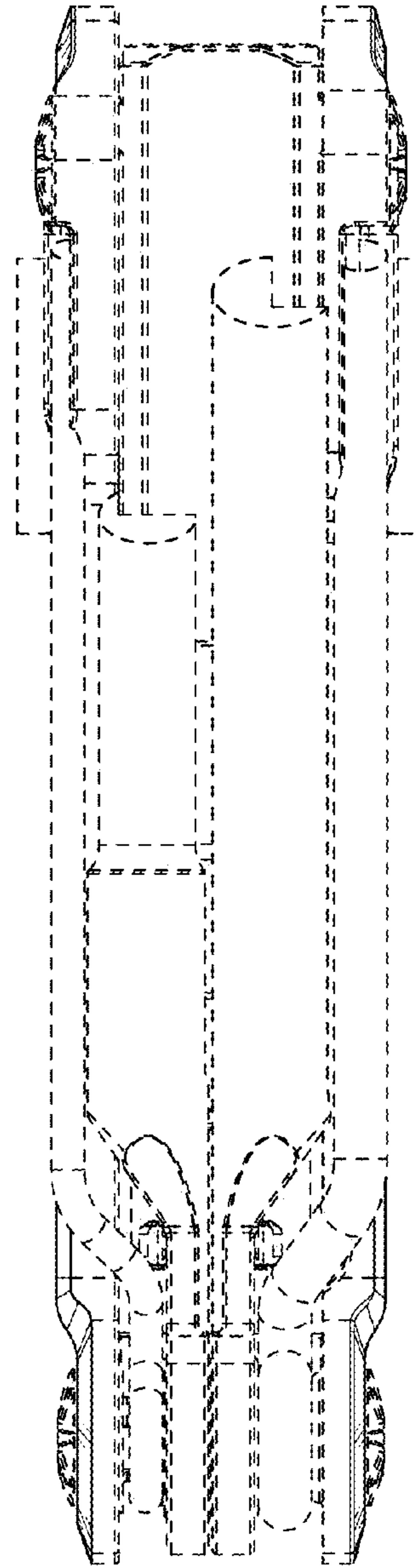


FIG. 7