



US00D711206S

(12) **United States Design Patent**
Larson

(10) **Patent No.:** **US D711,206 S**

(45) **Date of Patent:** **** Aug. 19, 2014**

(54) **TRIM TOOL**

(75) Inventor: **David Aaron Larson**, St. Charles, IL (US)

(73) Assignee: **Nomis LLC**, Palatine, IL (US)

(**) Term: **14 Years**

(21) Appl. No.: **29/431,521**

(22) Filed: **Sep. 7, 2012**

(51) **LOC (10) Cl.** **08-03**

(52) **U.S. Cl.**
USPC **D8/98**

(58) **Field of Classification Search**
USPC D8/14, 33, 98-100; D32/46, 48, 52;
30/169, 286, 294, 314, 329, 333, 337
See application file for complete search history.

(56) **References Cited**

U.S. PATENT DOCUMENTS

D52,765 S *	12/1918	Cheiver et al.	D32/48
2,164,050 A *	6/1939	Brown	30/151
2,336,284 A *	12/1943	Nelson	30/333
D196,709 S *	10/1963	Johnson	D32/48
3,492,724 A *	2/1970	Goss	30/258
D234,490 S *	3/1975	Barlow	D8/98
D267,826 S *	2/1983	Gringer	D32/48
D544,770 S *	6/2007	Yang	D8/52
D581,231 S *	11/2008	Williams	D8/52
D592,470 S *	5/2009	Burton	D8/14
D615,377 S *	5/2010	Williams	D8/52
2009/0265940 A1 *	10/2009	Wahl	30/169

OTHER PUBLICATIONS

1 Laminate Trimmer; Wolfcraft; known prior to Jul. 3, 2012; 1 page printed from internet; www.wolfcraft.com/products/p/miscellaneous-1/1_laminate_trimmer/s/p/index.html.
Laminate Trimmer; Wolfcraft; date last visited Sep. 25, 2012; 1 page printed from internet; http://web.archive.org/web/20091025081845/http://www.wolfcraft.de/jcatalog_generated/e...

* cited by examiner

Primary Examiner — Philip S Hyder

Assistant Examiner — Roselynn Cody

(74) *Attorney, Agent, or Firm* — Reinhart Boerner Van Deuren P.C.

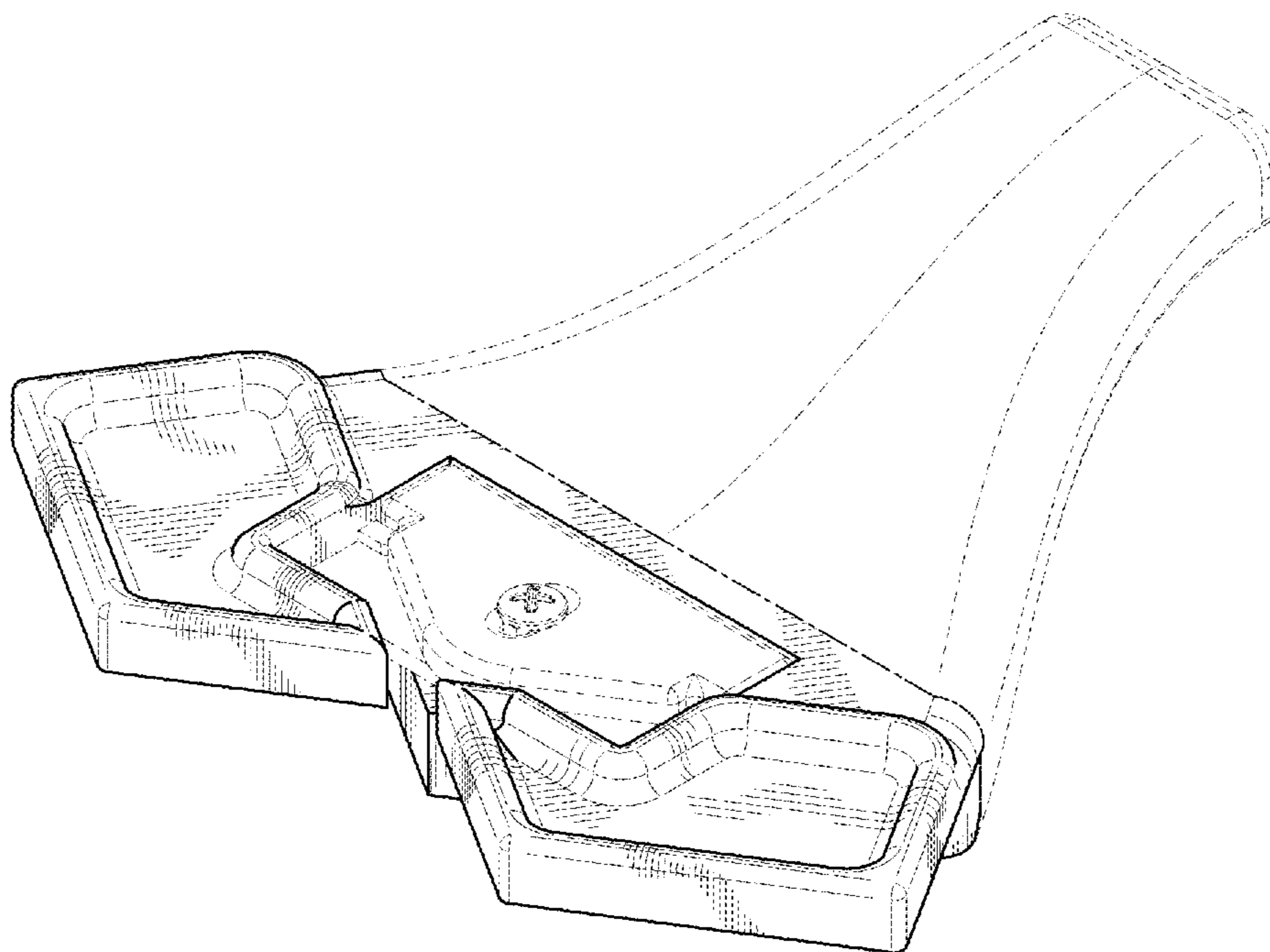
(57) **CLAIM**

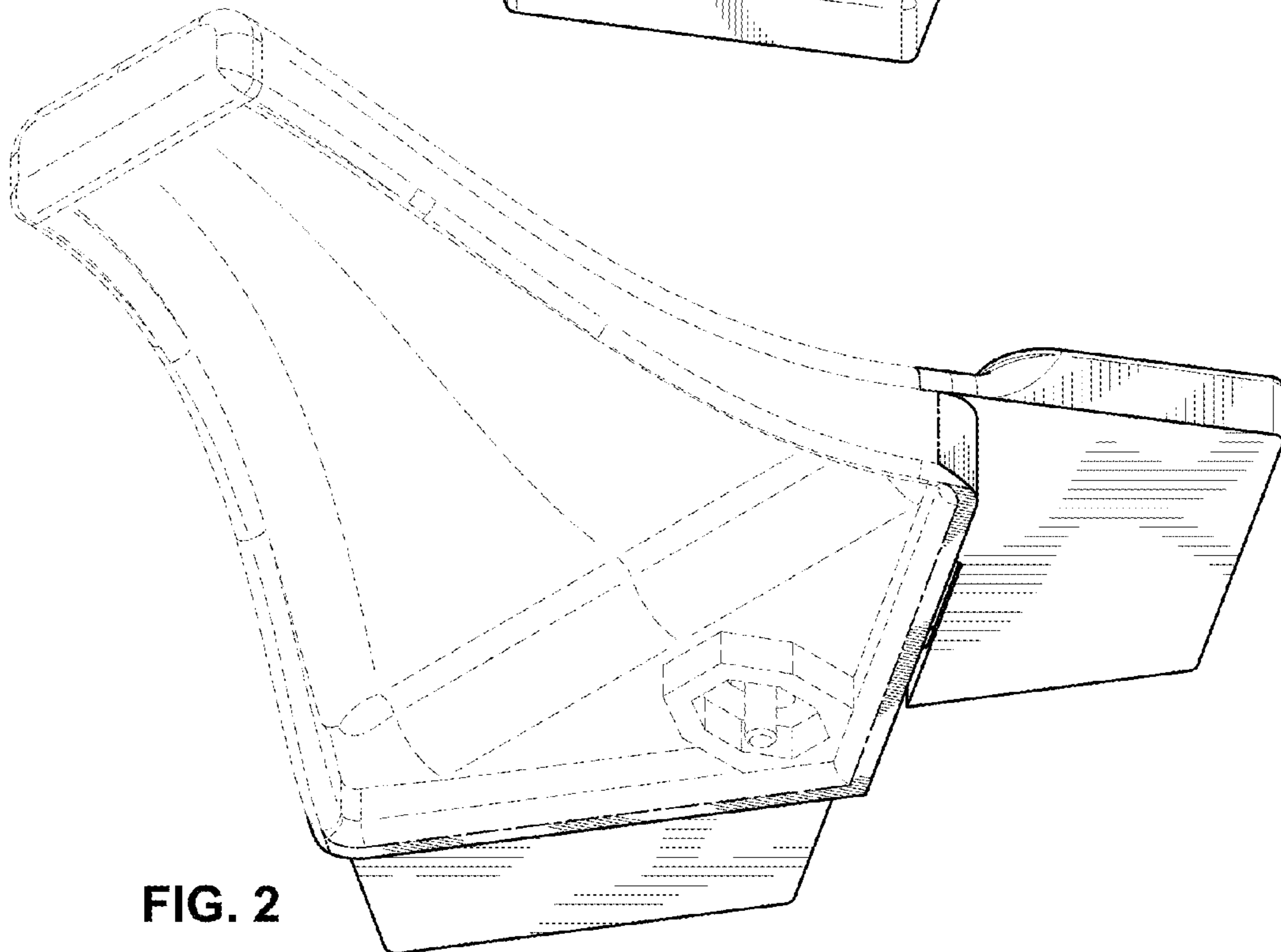
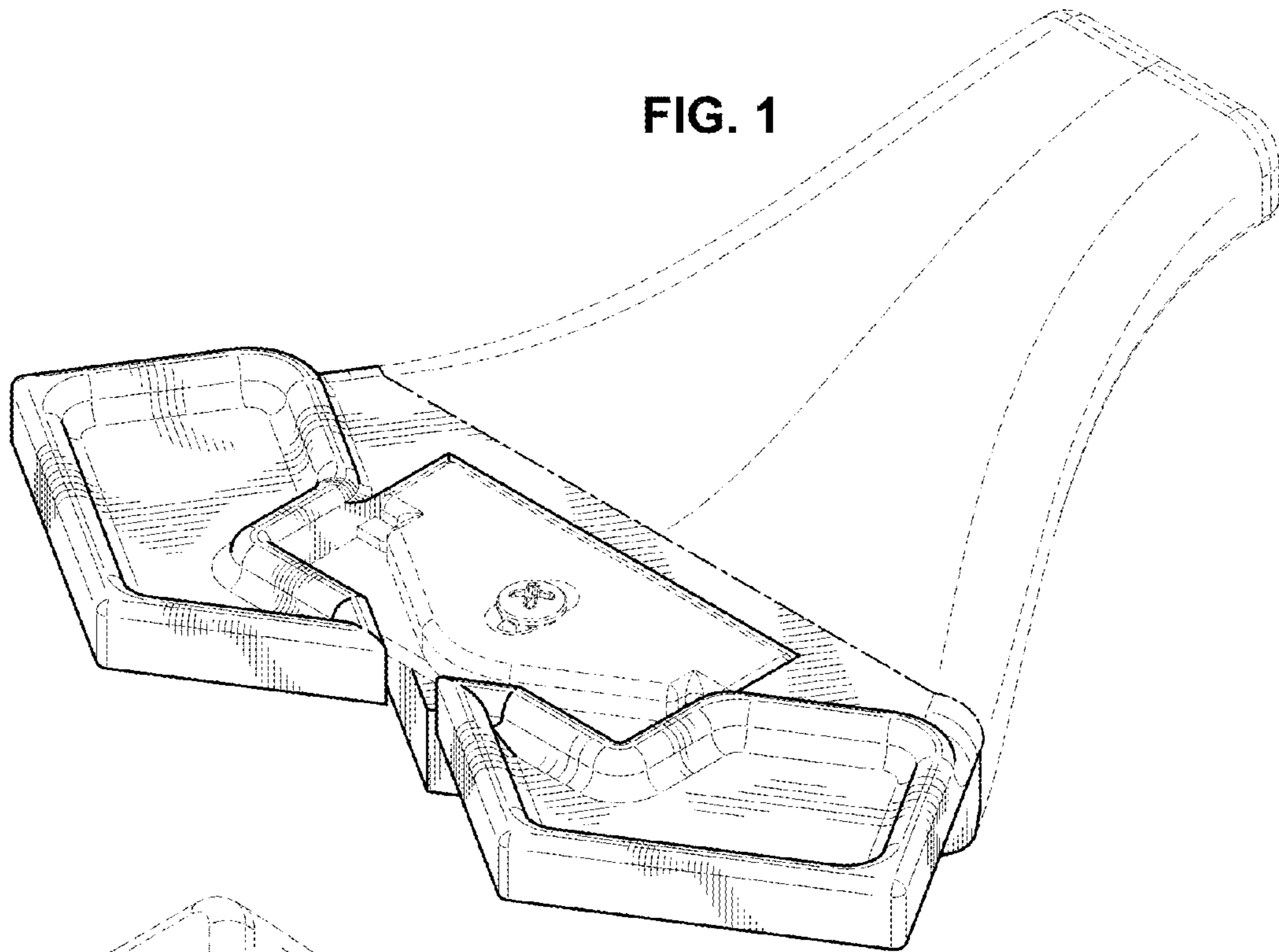
I claim the ornamental design for the trim tool, as shown and described.

DESCRIPTION

FIG. 1 is a top perspective view of the trim tool;
FIG. 2 is a bottom perspective view thereof;
FIG. 3 is a side view thereof;
FIG. 4 is a top view thereof;
FIG. 5 is a side view thereof showing the side opposite that shown in FIG. 3;
FIG. 6 is a rear view thereof;
FIG. 7 is a bottom view thereof; and,
FIG. 8 is a front view thereof.
In the figures, dashed lines are used to illustrate features of the trim tool which form no part of the claimed design. In the figures, dash-dot-dash lines are used to illustrate boundary lines between the claimed and unclaimed portions of the design.

1 Claim, 4 Drawing Sheets





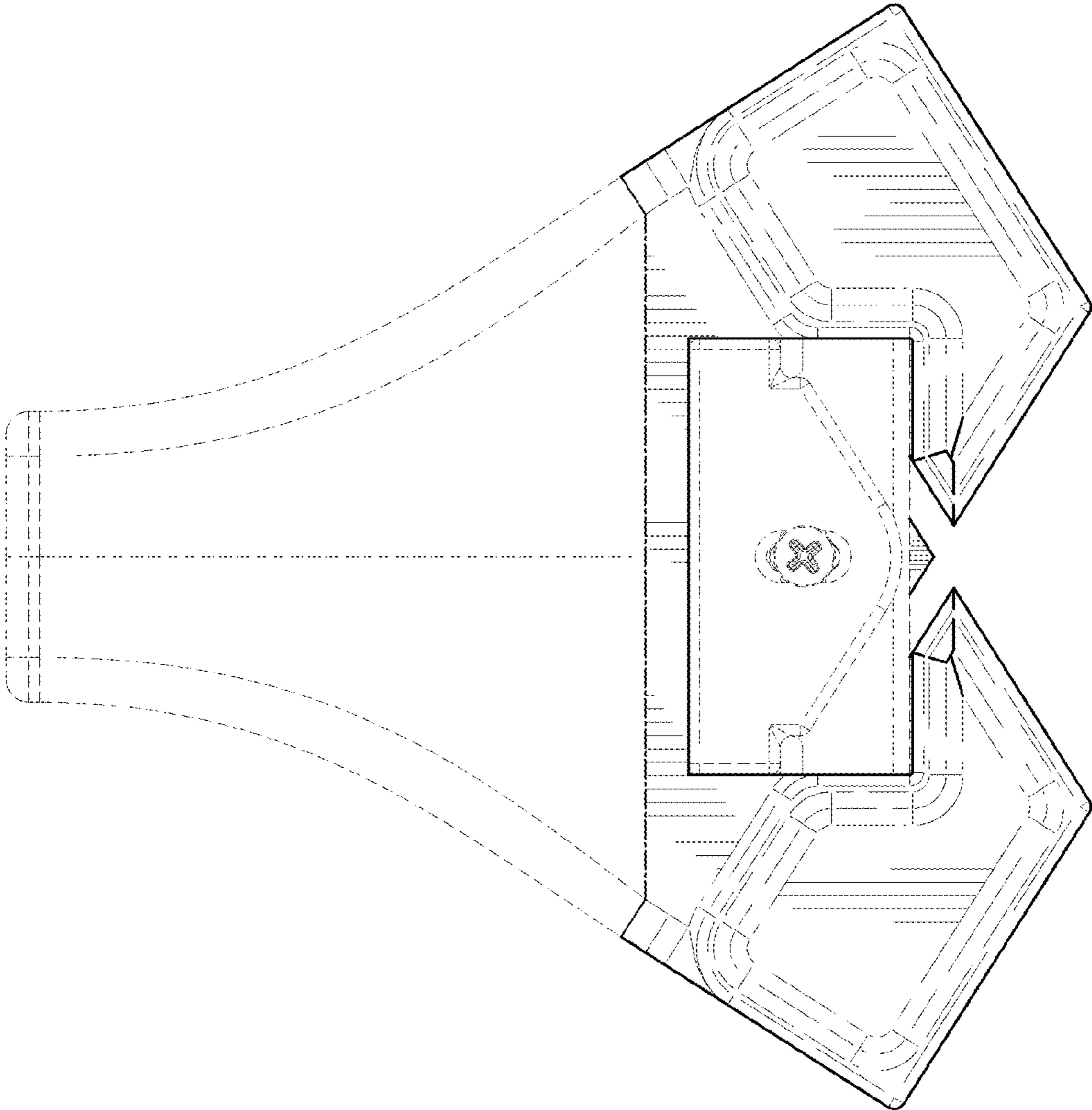


FIG. 4

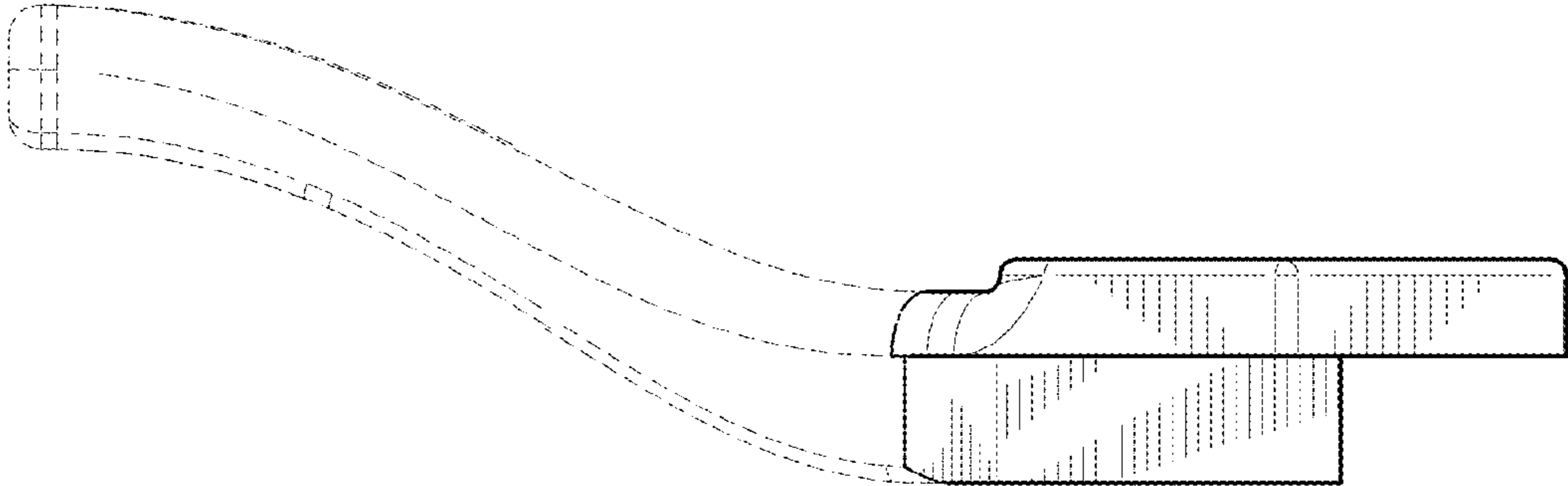


FIG. 3

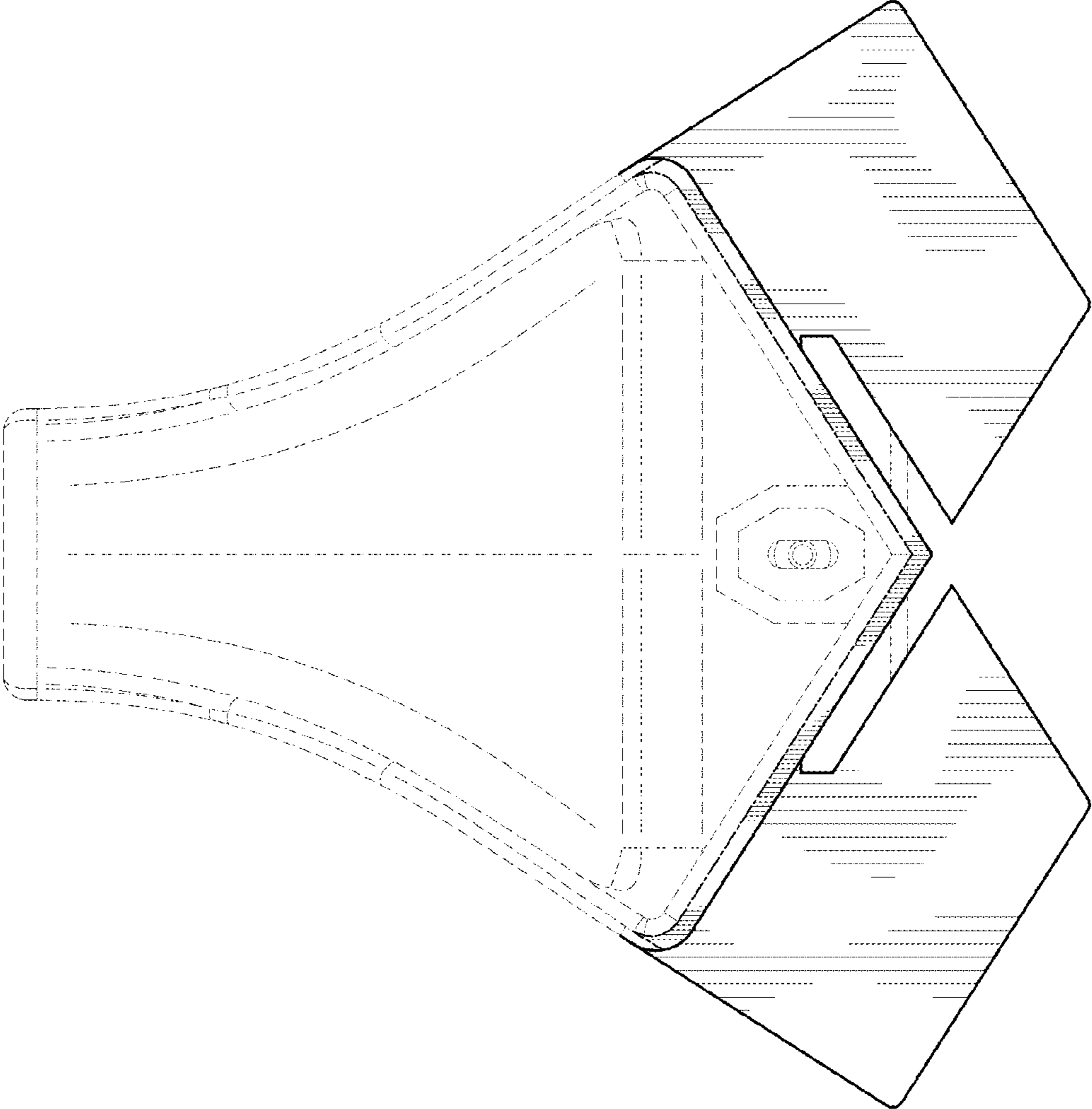


FIG. 7

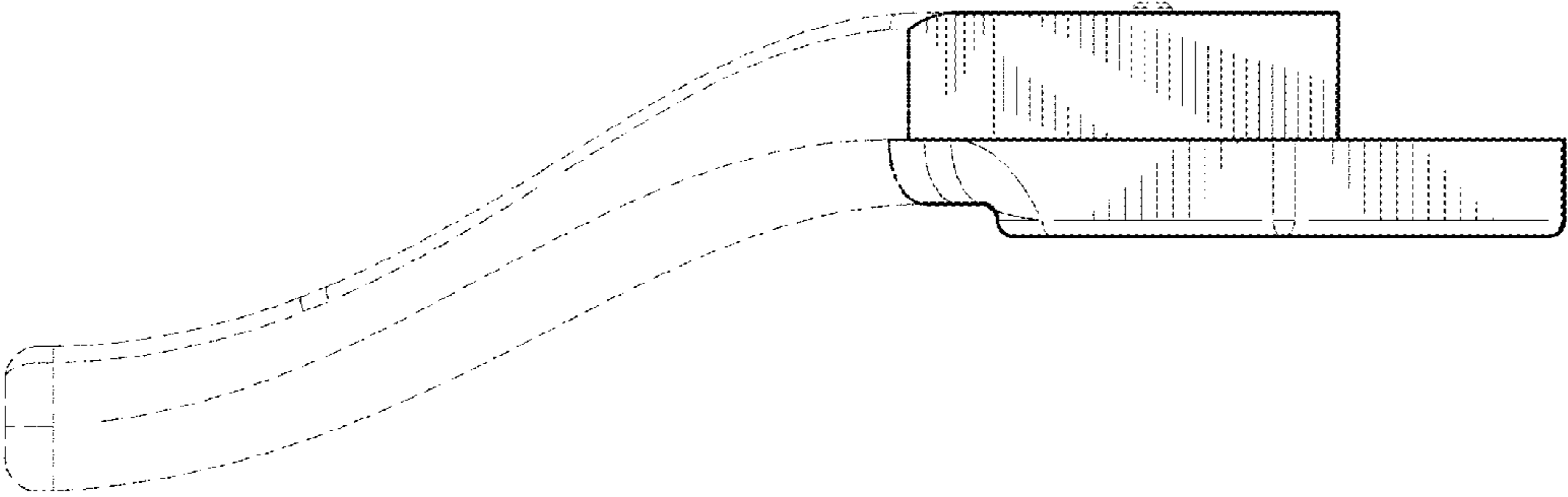


FIG. 5

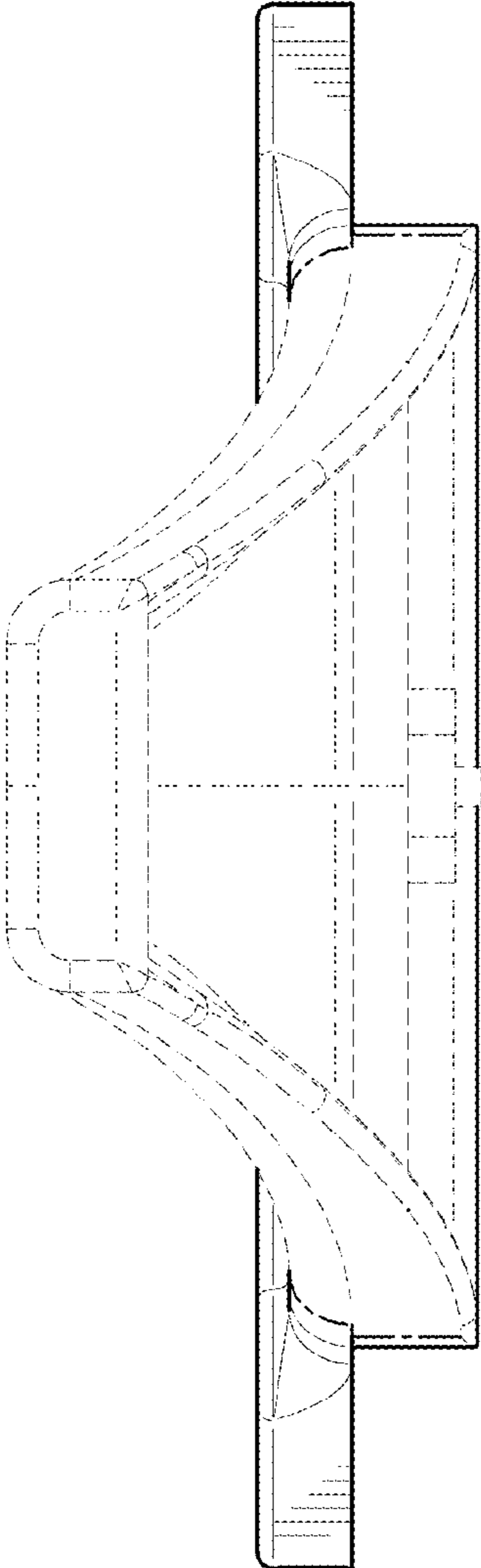


FIG. 6

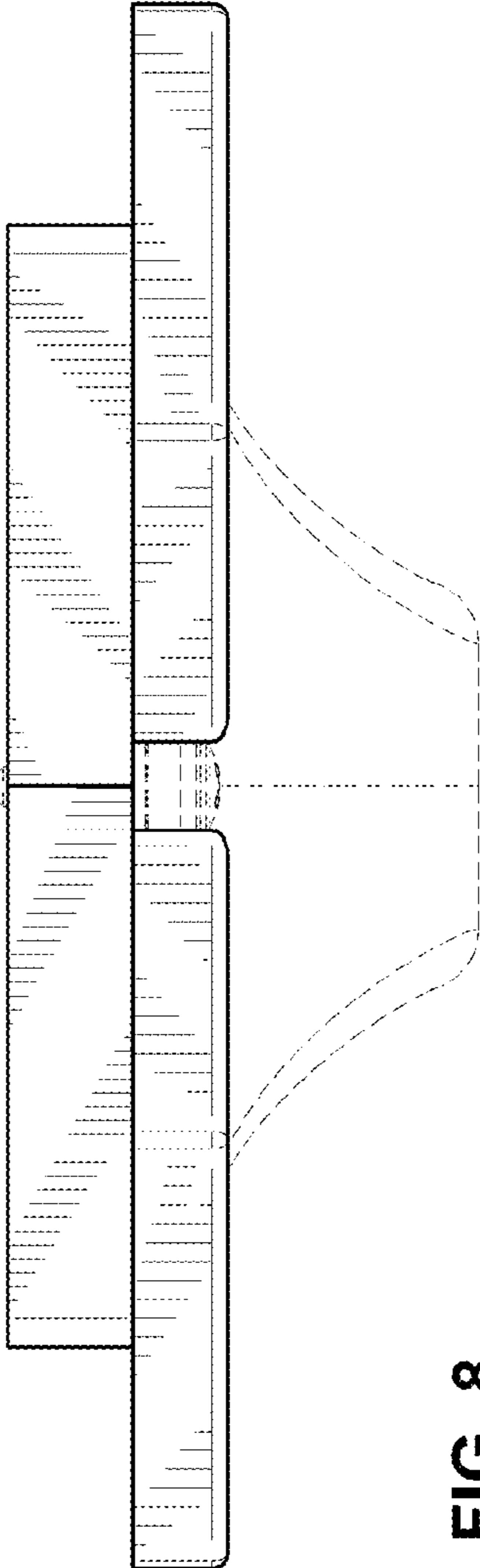


FIG. 8