



US00D711205S

(12) **United States Design Patent**
Groten et al.

(10) **Patent No.:** **US D711,205 S**

(45) **Date of Patent:** **** Aug. 19, 2014**

(54) **TUBE CUTTERS**

(71) Applicant: **Zenten Bernhard Groten, S.L.**, Irun (ES)

(72) Inventors: **Alberto Groten**, Irun (ES); **Manuel Aizpurua**, Irun (ES)

(73) Assignee: **Zenten Bernhard Groten, S.L.**, Irun (ES)

(**) Term: **14 Years**

(21) Appl. No.: **29/444,034**

(22) Filed: **Jan. 25, 2013**

(30) **Foreign Application Priority Data**

Jul. 30, 2012 (EM) 002080986-0002

(51) **LOC (10) CI.** **08-03**

(52) **U.S. CI.**
USPC **D8/60**

(58) **Field of Classification Search**
USPC D8/1, 4, 5, 14, 51-60, 107; 30/92-108,
30/249-251

See application file for complete search history.

(56) **References Cited**

U.S. PATENT DOCUMENTS

D178,363	S	*	7/1956	Halligan	D8/60
2,875,518	A	*	3/1959	Dyczynski	30/102
D191,011	S	*	8/1961	Noveske	D8/60
3,013,335	A	*	12/1961	Kowal	30/94
D219,572	S	*	12/1970	Shames	D8/60
4,084,317	A		4/1978	Nakamura et al.		
D252,666	S		8/1979	Sakamoto		
RE30,613	E		5/1981	Nakamura et al.		
D270,514	S		9/1983	Muromoto		
D367,213	S	*	2/1996	Azkona	D8/60
D384,869	S		10/1997	Aubriot		

D423,895	S		5/2000	Azkona		
6,098,291	A		8/2000	Wang		
D449,208	S		10/2001	Ping		
6,305,087	B1		10/2001	Huang		
6,357,119	B1	*	3/2002	Acerra	30/102
6,513,245	B1		2/2003	Aubriot		
D497,784	S		11/2004	Picaza		
7,127,819	B1		10/2006	Huang		
D574,678	S		8/2008	Lin		
D581,233	S		11/2008	Sullivan		
D591,125	S	*	4/2009	Groten	D8/60
D591,126	S	*	4/2009	Groten	D8/60
D612,221	S		3/2010	Groten et al.		
2008/0141538	A1		6/2008	Nandkumar et al.		
2008/0307657	A1		12/2008	Macsay et al.		

OTHER PUBLICATIONS

Zenten Bernhard Groten S.L., Zenten Bernhard Groten S.L. Professional Tools, catalog, 2007, Spain.

* cited by examiner

Primary Examiner — Deanna L Pratt

(74) *Attorney, Agent, or Firm* — Cook Alex Ltd.

(57) **CLAIM**

The ornamental design for the tube cutters, as shown and described.

DESCRIPTION

FIG. 1 is a perspective view of a tube cutters showing our new design;

FIG. 2 is a second perspective view of a tube cutters showing our new design taken from the opposite side to FIG. 1;

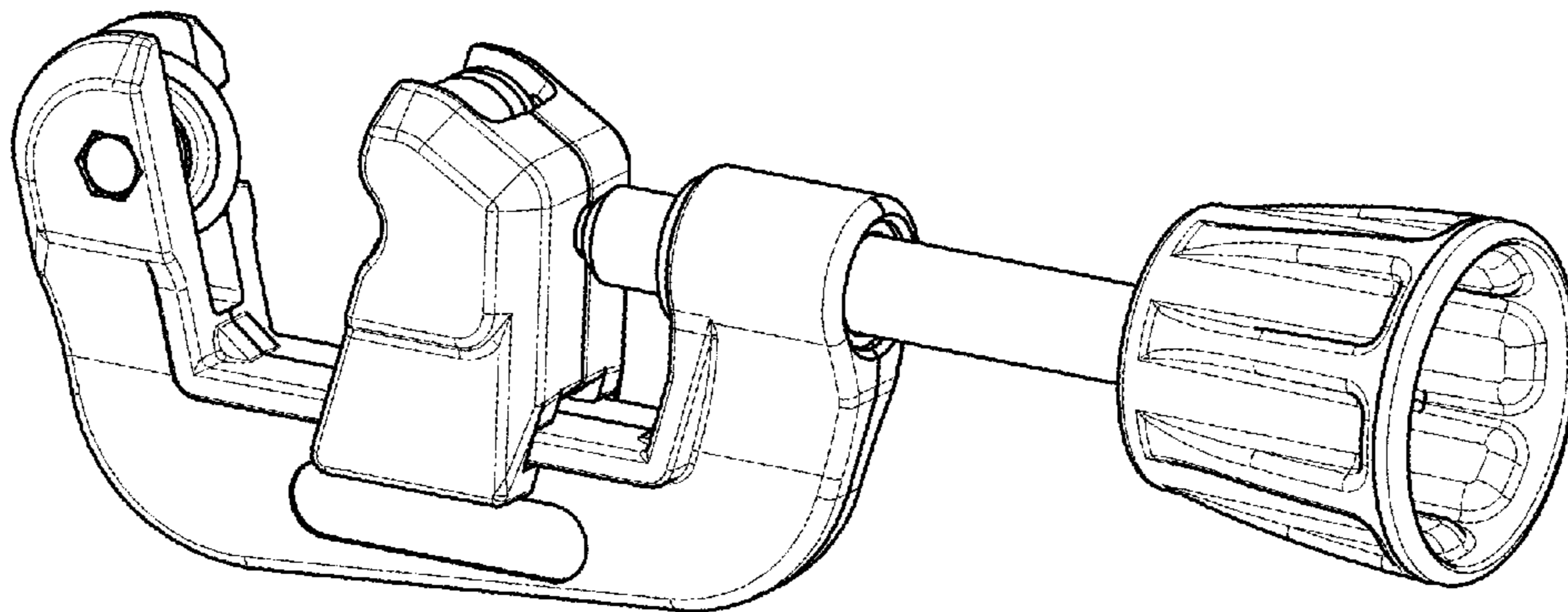
FIG. 3 is an elevational view taken from the right-hand side of FIG. 1;

FIG. 4 is an elevational view taken from the right-hand side of FIG. 2;

FIG. 5 is an elevational view taken from the bottom of FIG. 1; and,

FIG. 6 is an elevational view taken from the top of FIG. 1.

1 Claim, 4 Drawing Sheets



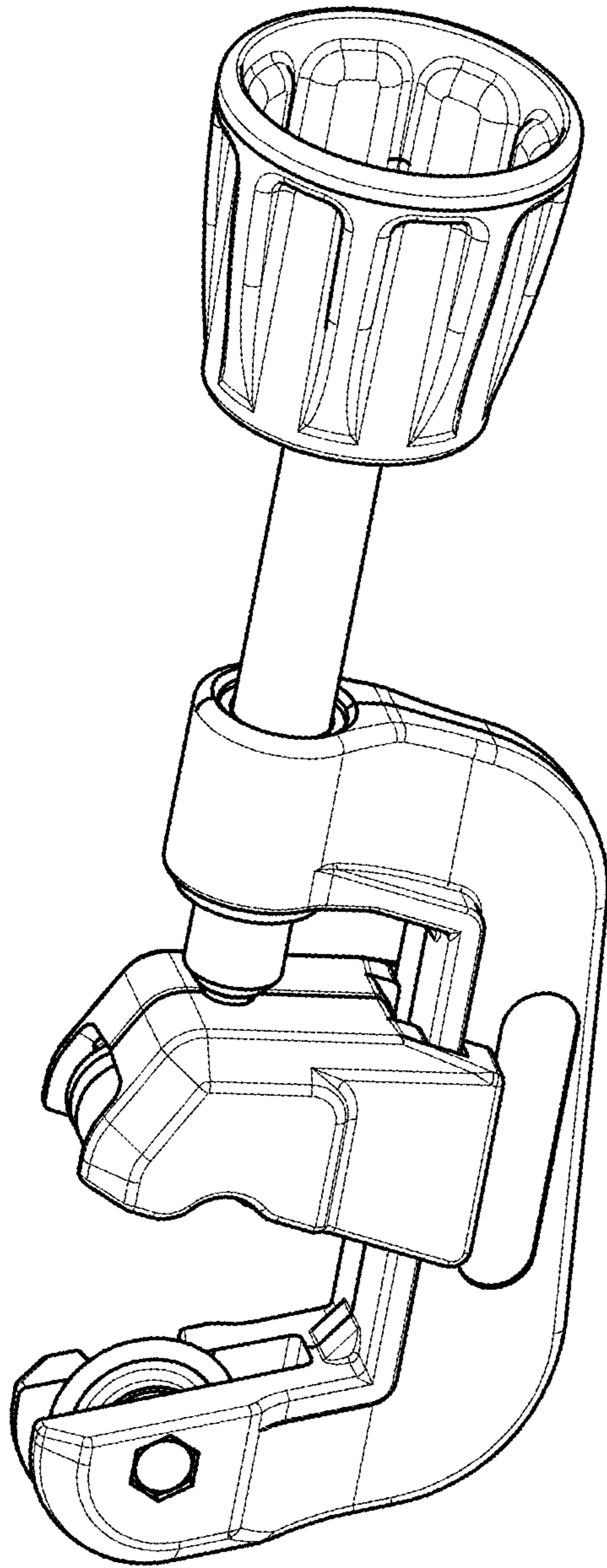


FIG. 1

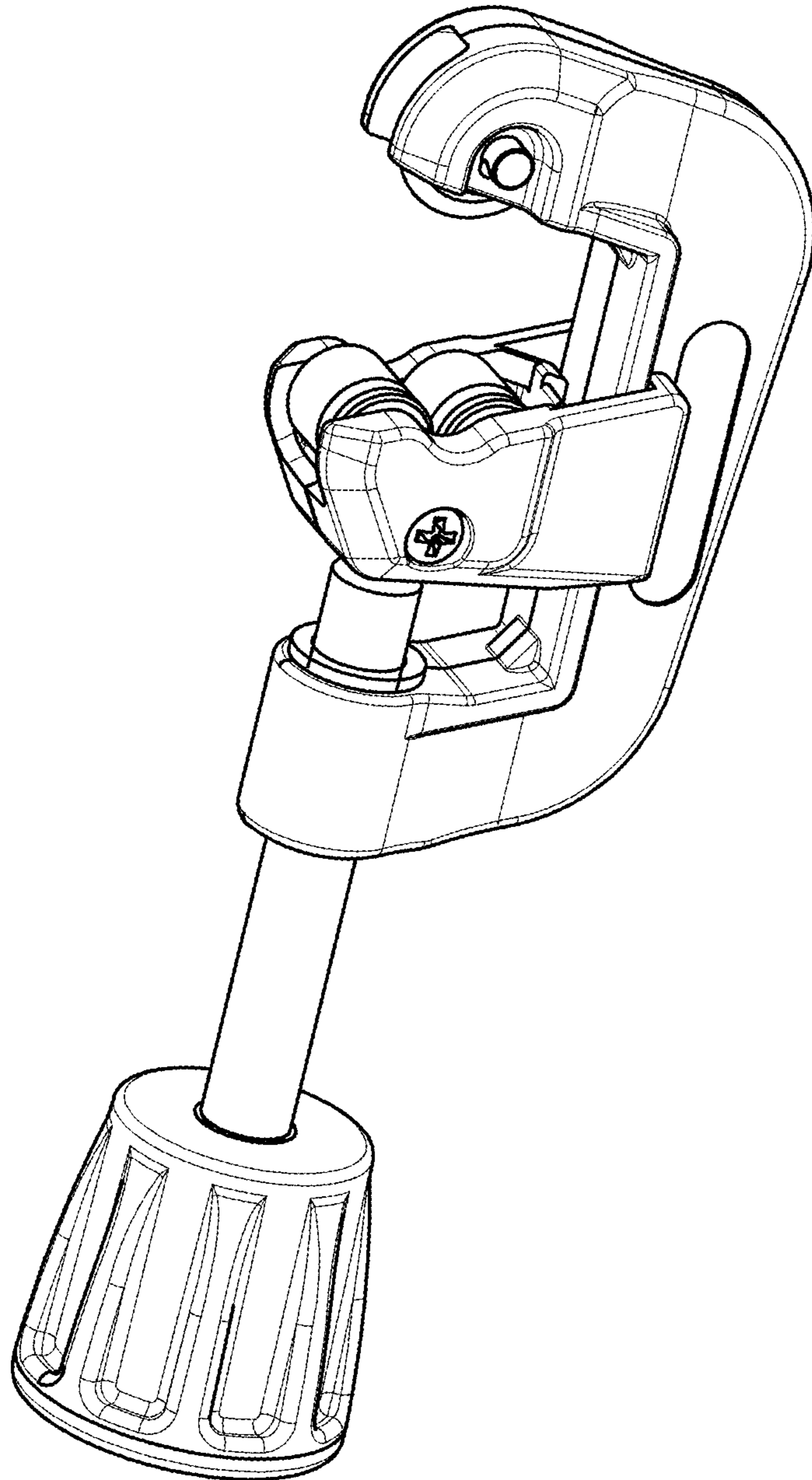


FIG. 2

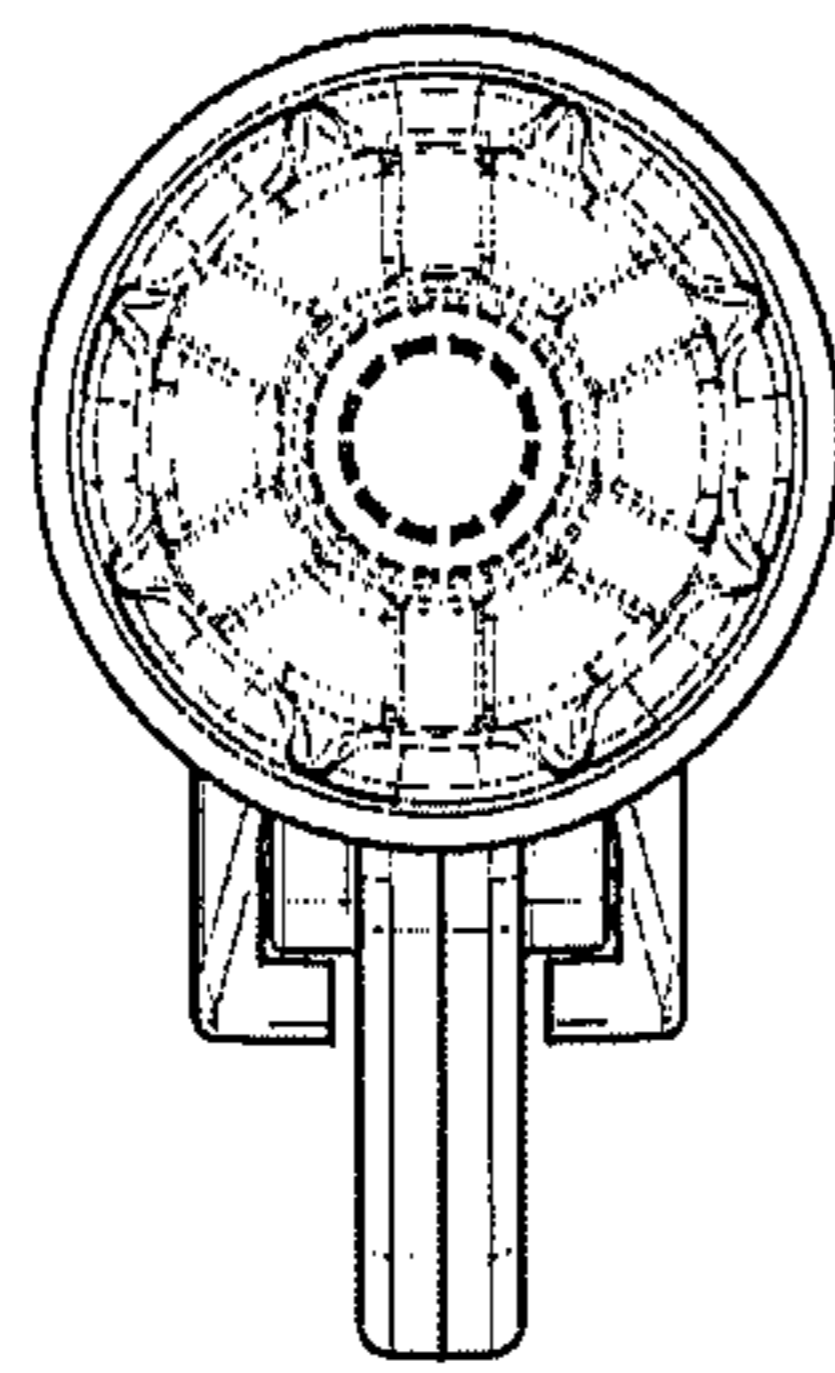


FIG. 3

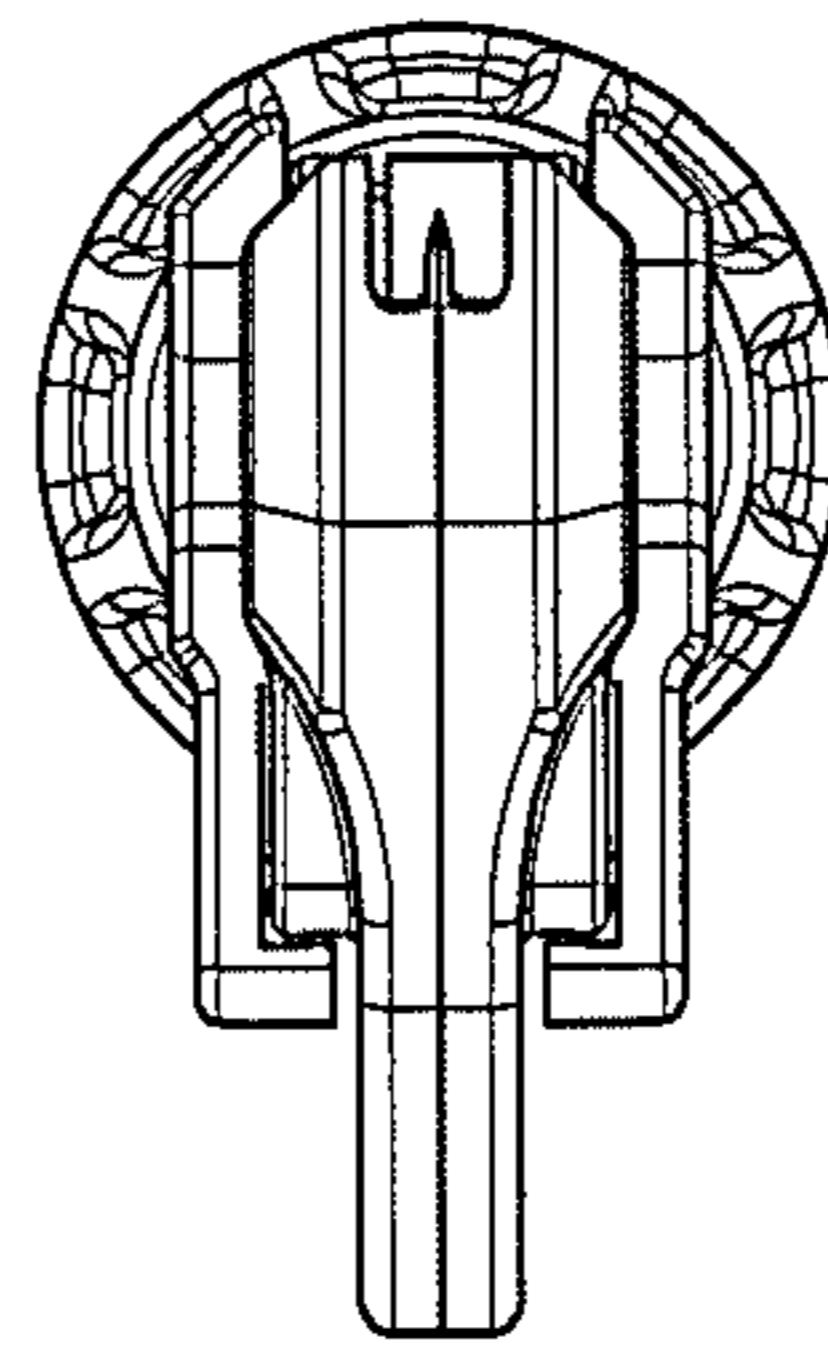


FIG. 4

FIG. 5

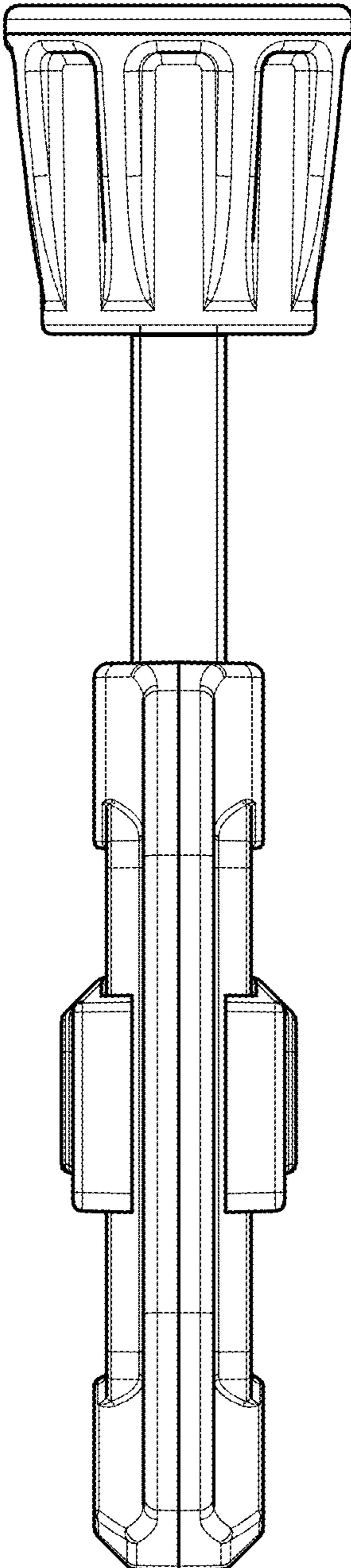


FIG. 6

