



US00D711203S

(12) **United States Design Patent**
Tinius

(10) **Patent No.:** **US D711,203 S**

(45) **Date of Patent:** **** Aug. 19, 2014**

(54) **BRUSH CUTTER WITH BIKE HANDLE**

(71) Applicant: **Andreas Stihl AG & Co. KG,**
Waiblingen (DE)

(72) Inventor: **Michael Tinius,** Ulm (DE)

(73) Assignee: **Andreas Stihl AG & Co. KG,**
Waiblingen (DE)

(**) Term: **14 Years**

(21) Appl. No.: **29/456,967**

(22) Filed: **Jun. 5, 2013**

(30) **Foreign Application Priority Data**

Dec. 21, 2012 (EM) 002158501-0008

(51) **LOC (10) Cl.** **08-01**

(52) **U.S. Cl.**
USPC **D8/8**

(58) **Field of Classification Search**
USPC D8/7-9; D15/17, 1; 30/276, 208-210,
30/228, 282-383; 56/12.7, 233-234
See application file for complete search history.

(56) **References Cited**

U.S. PATENT DOCUMENTS

D252,130 S	6/1979	Hoff	
5,027,591 A	7/1991	Nakamura et al.	
D324,051 S	2/1992	Tuggle et al.	
D342,875 S	1/1994	Franke et al.	
D355,198 S	2/1995	Kikuchi	
D355,817 S	2/1995	Nakadachi	
D355,818 S	2/1995	Nakadachi	
D356,014 S	3/1995	Griffin	
D358,308 S	5/1995	Griffin	
D360,341 S	7/1995	Hirooka et al.	
D361,336 S	8/1995	Tinius	
5,855,069 A	1/1999	Matsubayashi et al.	
5,979,064 A *	11/1999	Kitz et al.	30/347

6,065,214 A	5/2000	Nagashima	
D427,862 S	7/2000	Yamane et al.	
6,082,087 A *	7/2000	Tada et al.	56/255
6,125,547 A	10/2000	Nagashima	
D446,699 S	8/2001	Marshall et al.	
D457,925 S	5/2002	Grafton	
6,508,004 B2	1/2003	Tezuka et al.	

(Continued)

FOREIGN PATENT DOCUMENTS

EM	000859095-0004	1/2008
EM	000859095-0006	1/2008
EM	000859095-0008	1/2008

Primary Examiner — Sheryl Lane

(74) *Attorney, Agent, or Firm* — McGuireWoods LLP

(57) **CLAIM**

I claim the ornamental design for a brush cutter with bike handle, as shown and described.

DESCRIPTION

FIG. 1 is a right-rear perspective view of the brush cutter with bike handle;

FIG. 2 is a front view of the brush cutter with bike handle shown in FIG. 1;

FIG. 3 is a rear view of the brush cutter with bike handle shown in FIG. 1;

FIG. 4 is a left side view of the brush cutter with bike handle shown in FIG. 1;

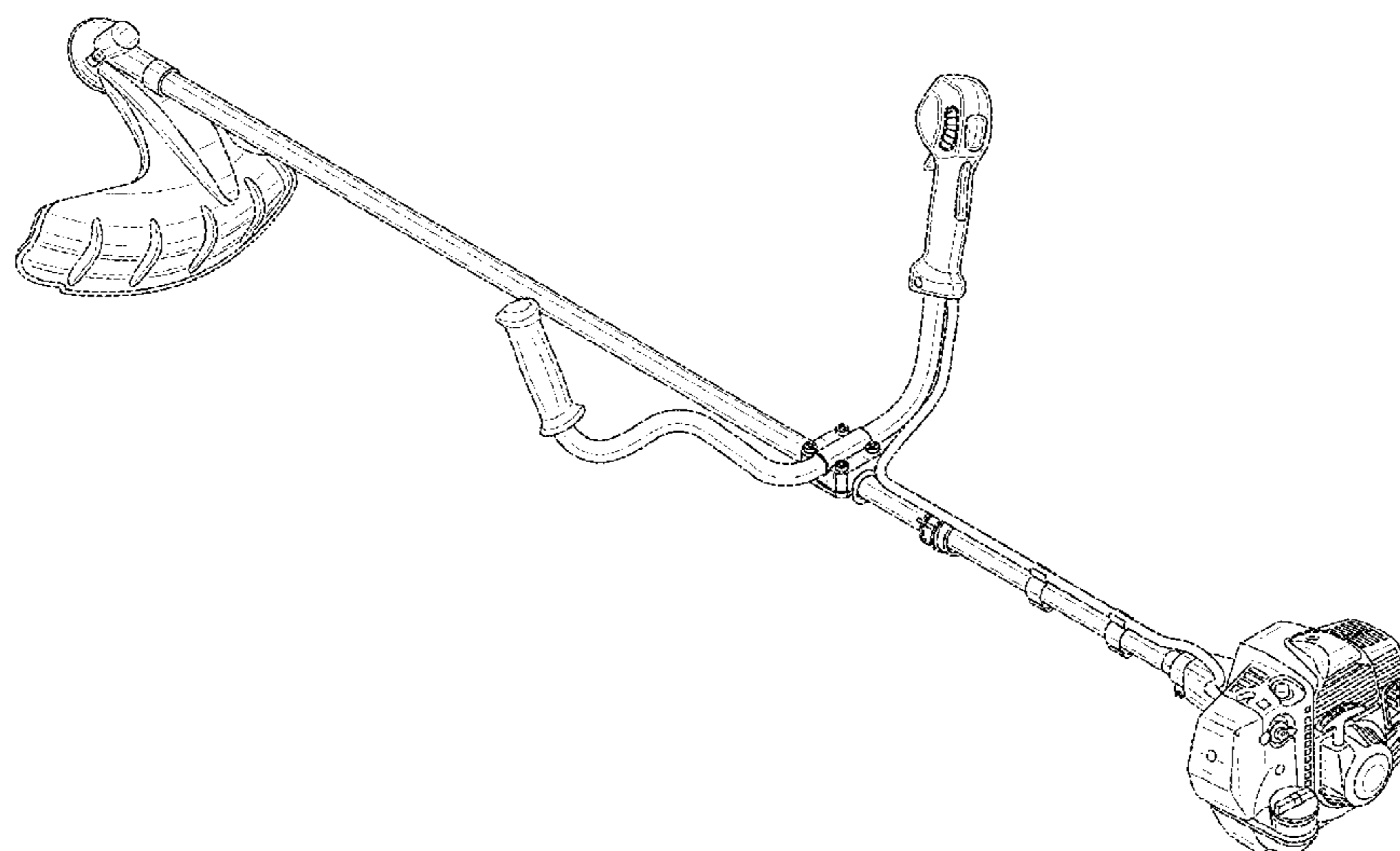
FIG. 5 is a right side view of the brush cutter with bike handle shown in FIG. 1;

FIG. 6 is a top view of the brush cutter with bike handle shown in FIG. 1; and,

FIG. 7 is a bottom view of the brush cutter with bike handle shown in FIG. 1.

The subject matter shown in dashed lines, and any surfaces of the design not shown, including interior surfaces, form no part of the claimed invention.

1 Claim, 7 Drawing Sheets



(56)

References Cited

U.S. PATENT DOCUMENTS

6,701,623 B2 3/2004 Sanders
6,918,451 B2 7/2005 Nagashima et al.
D519,336 S 4/2006 Ono et al.
D530,163 S 10/2006 Xue-Feng
D551,921 S 10/2007 Houghton
D563,740 S 3/2008 Andriolo
D566,491 S 4/2008 Martin et al.
D566,493 S 4/2008 Wang
7,395,601 B2 7/2008 Berfield
D578,842 S 10/2008 Houghton
D580,237 S 11/2008 Bradford

D580,719 S 11/2008 Baxter
D582,224 S 12/2008 Bochmann et al.
7,493,696 B2 2/2009 Suzuki et al.
7,520,061 B2 4/2009 Herzog et al.
D600,515 S 9/2009 Tinius
D600,516 S 9/2009 Tinius
D600,517 S 9/2009 Tinius
D605,910 S 12/2009 Tinius
D609,067 S 2/2010 Tinius
D625,159 S 10/2010 Tinius
D648,194 S 11/2011 Tinius
8,127,455 B2 * 3/2012 Wenckel et al. 30/276
D672,624 S * 12/2012 Naas D8/8

* cited by examiner

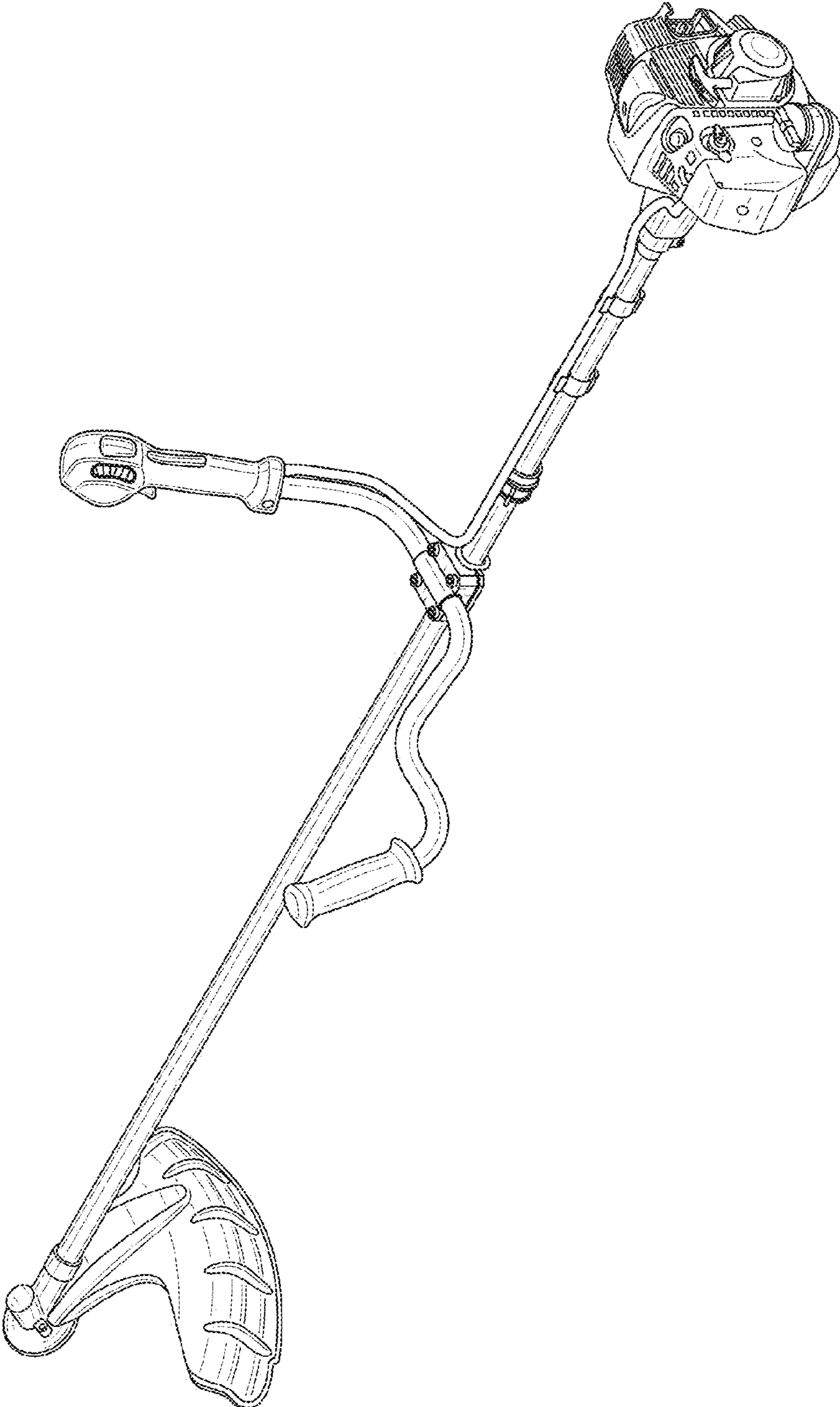


FIG. 1

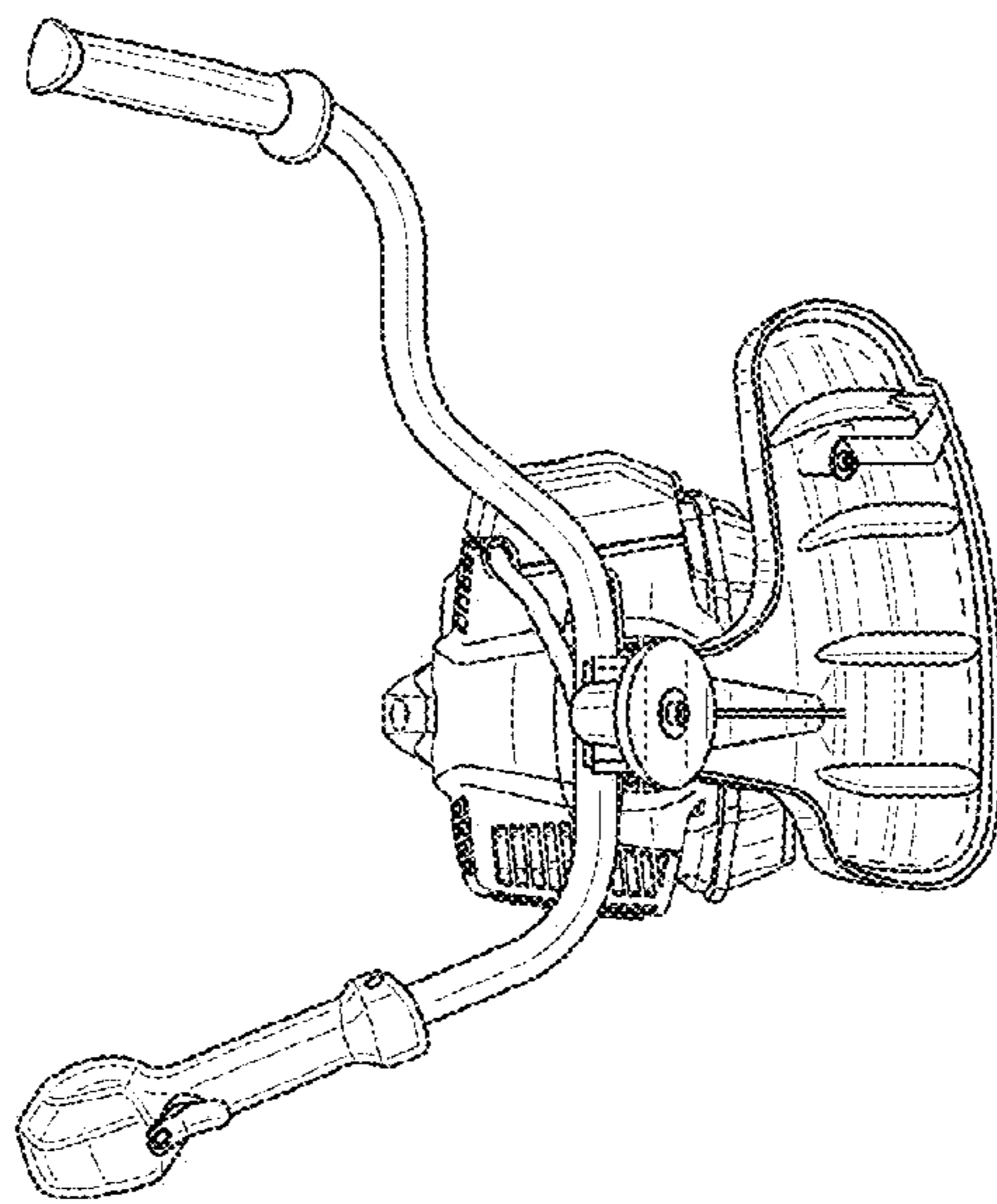


FIG. 2

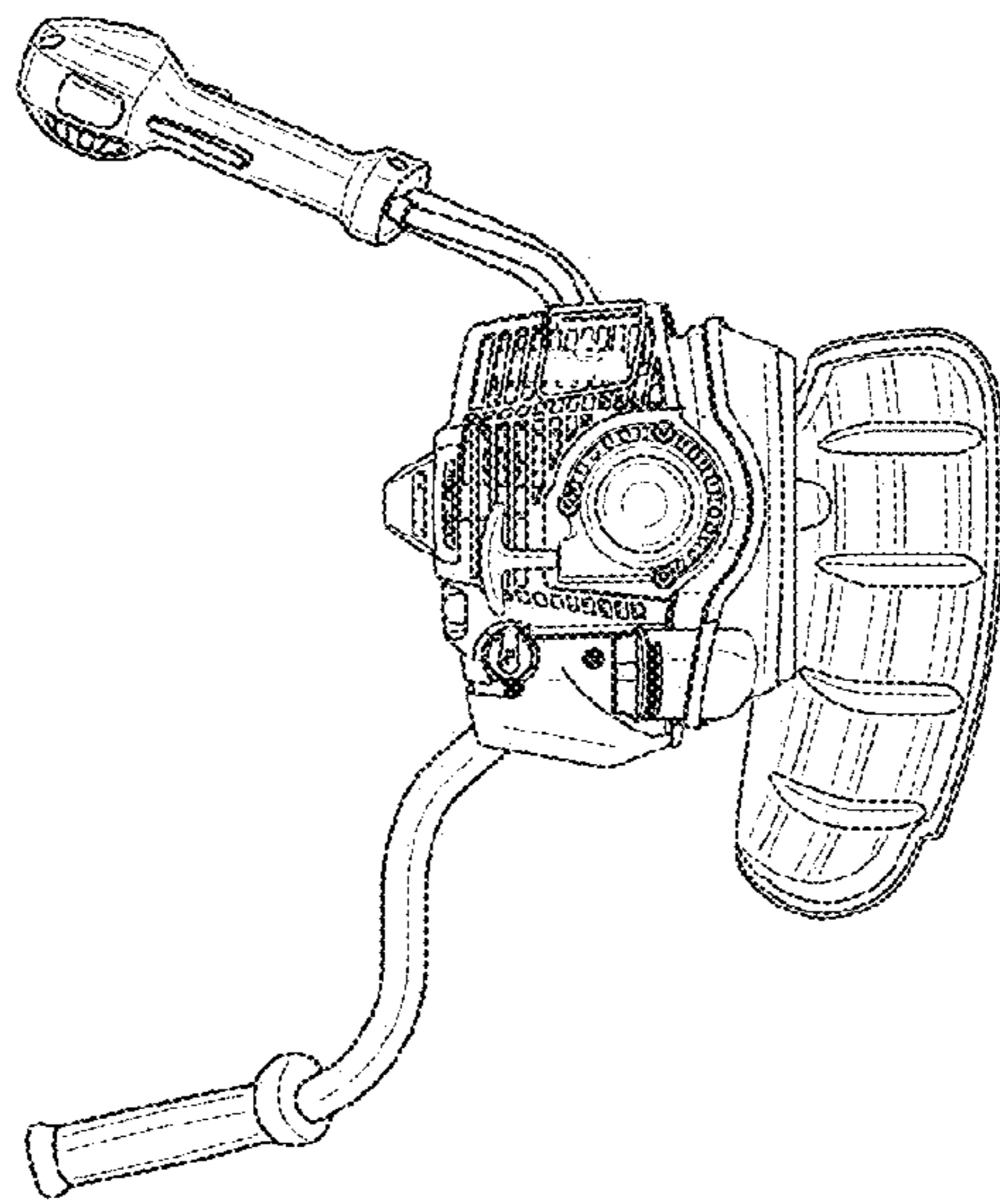


FIG. 3

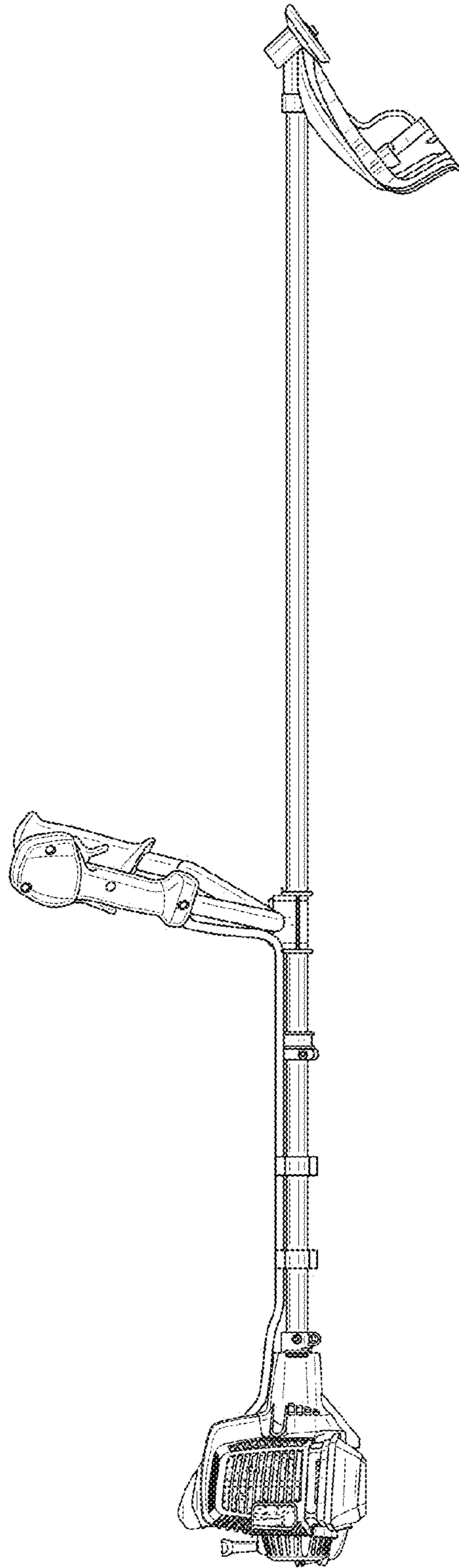


FIG. 4

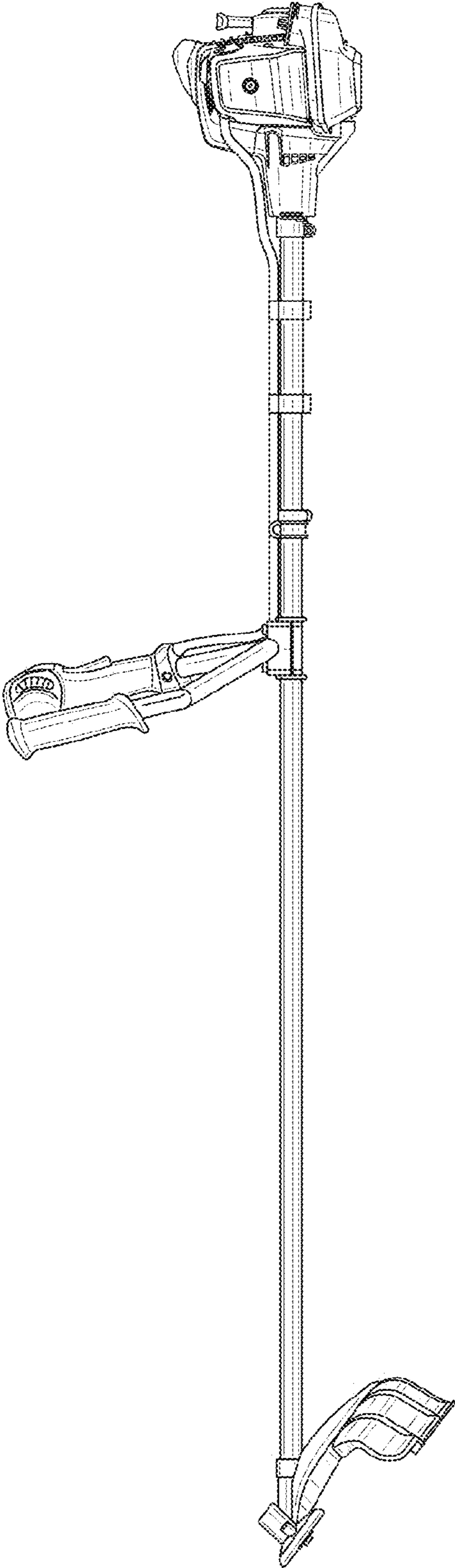


FIG. 5

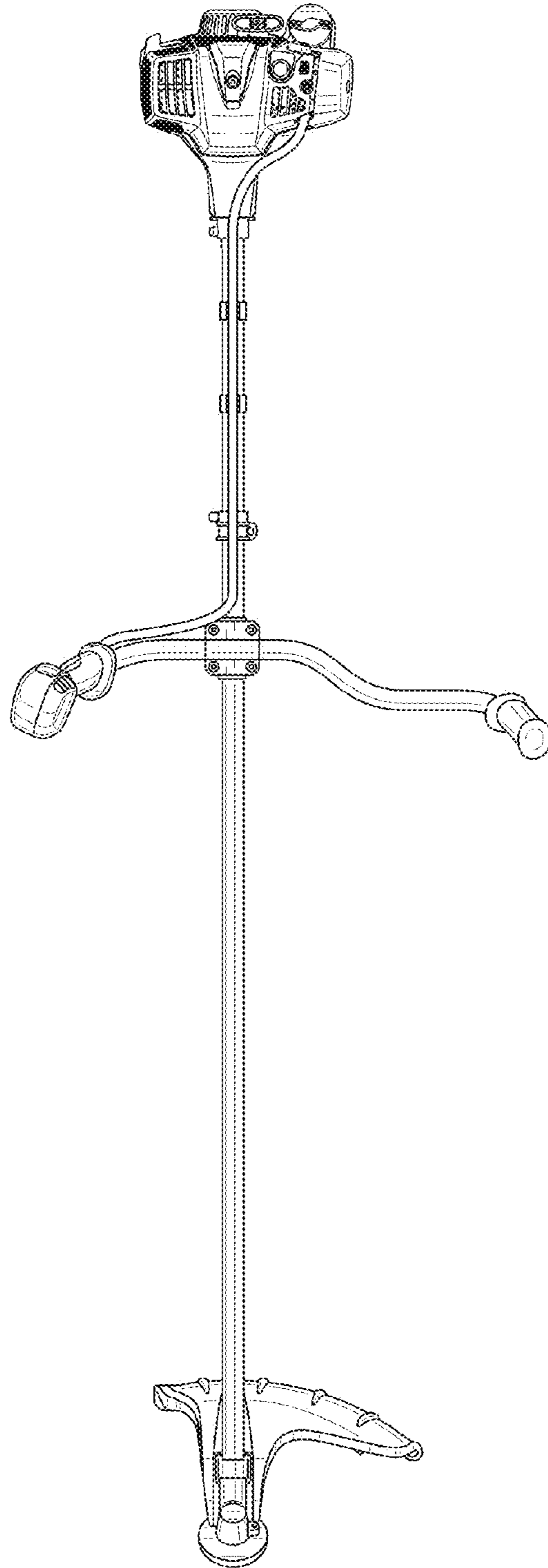


FIG. 6

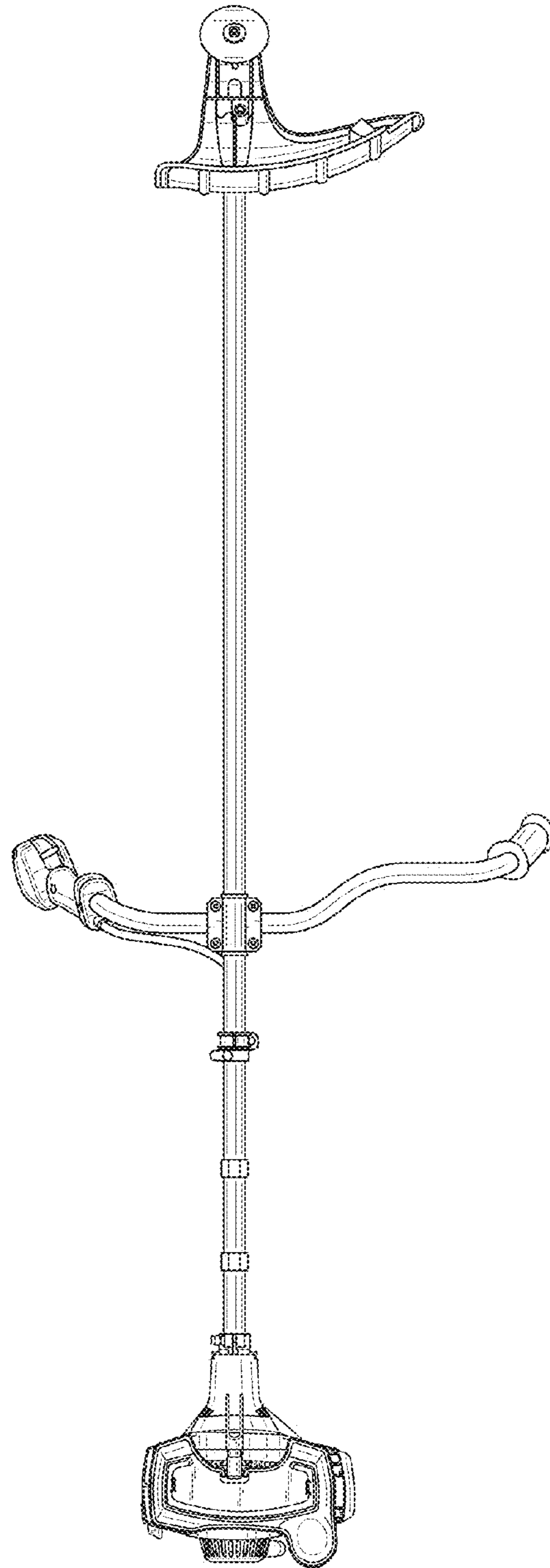


FIG. 7