



US00D711201S

(12) **United States Design Patent**
Mäkipelto et al.

(10) **Patent No.:** **US D711,201 S**

(45) **Date of Patent:** **** Aug. 19, 2014**

(54) **AUGER**

(75) Inventors: **Veikko Mäkipelto**, Billnas (FI); **Sami Lyytikäinen**, Lohja (FI); **Petteri Masalin**, Helsinki (FI)

(73) Assignee: **Fiskars Brands Finland Oy Ab**, Billnas (FI)

(**) Term: **14 Years**

(21) Appl. No.: **29/414,292**

(22) Filed: **Feb. 27, 2012**

(30) **Foreign Application Priority Data**

Sep. 1, 2011 (EM) 001910753-0005

(51) **LOC (10) Cl.** **08-01**

(52) **U.S. Cl.**
USPC **D8/7**

(58) **Field of Classification Search**
CPC A01B 39/18; A01B 39/19; A01B 1/16
USPC D8/1, 7, 9, 11, 12; 172/376, 371-375,
172/380-381; 7/114; 294/53.5; 52/127.5,
52/165; D15/12
See application file for complete search history.

(56) **References Cited**

U.S. PATENT DOCUMENTS

946,060 A * 1/1910 Looker 175/385
2,983,345 A * 5/1961 Langer 52/127.5
3,961,671 A * 6/1976 Adams et al. 173/1
D254,132 S * 2/1980 Sheldon D15/12

D254,134 S * 2/1980 Sheldon D15/12
4,702,047 A * 10/1987 Stokes 52/156
5,224,310 A * 7/1993 Edwards et al. 52/165
D368,211 S * 3/1996 Skold D8/1
6,321,861 B1 * 11/2001 Leichter 175/323
D488,046 S 4/2004 Marquardt et al.
D524,329 S * 7/2006 Sheperd D15/28
D546,167 S * 7/2007 Noethe D8/349
D624,370 S * 9/2010 Motosko D8/7
D682,640 S * 5/2013 Motosko D8/7

OTHER PUBLICATIONS

Office Action (including English Translation) for Russian Application No. 2012500588, filed Feb. 28, 2012, Dated Aug. 21, 2012, 12 pages.

* cited by examiner

Primary Examiner — Sheryl Lane

(74) *Attorney, Agent, or Firm* — Foley & Lardner LLP

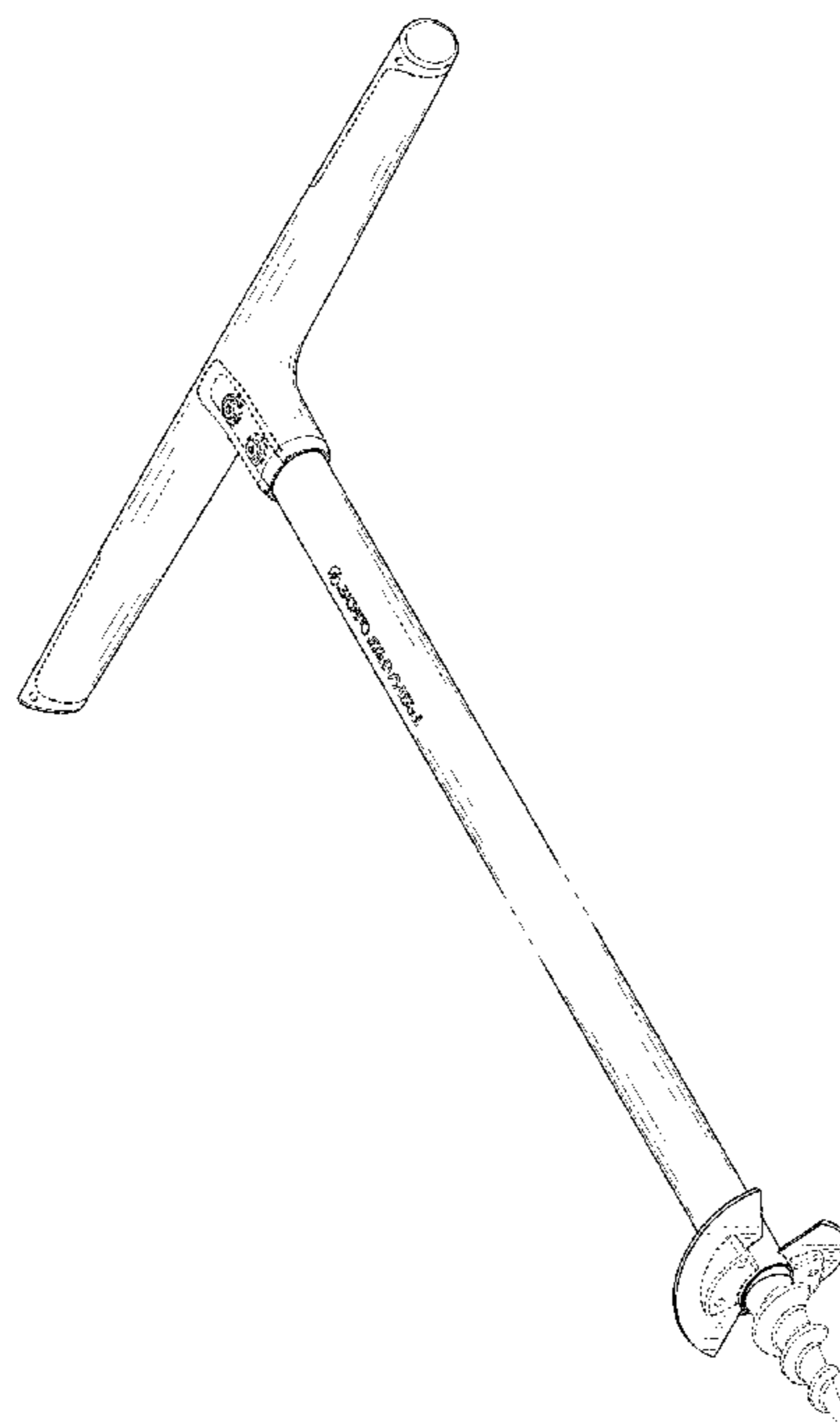
(57) **CLAIM**

We claim the ornamental design for an auger, as shown and described.

DESCRIPTION

FIG. 1 is a perspective view of the claimed design;
FIG. 2 is a front view of the claimed design of FIG. 1;
FIG. 3 is a rear view of the claimed design of FIG. 1;
FIG. 4 is a top view of the claimed design of FIG. 1;
FIG. 5 is a bottom side view of the claimed design of FIG. 1;
FIG. 6 is a left side view of the claimed design of FIG. 1; and,
FIG. 7 is a right side view of the claimed design of FIG. 1.
The broken lines represent portions of the auger, and form no part of the claimed design.

1 Claim, 5 Drawing Sheets



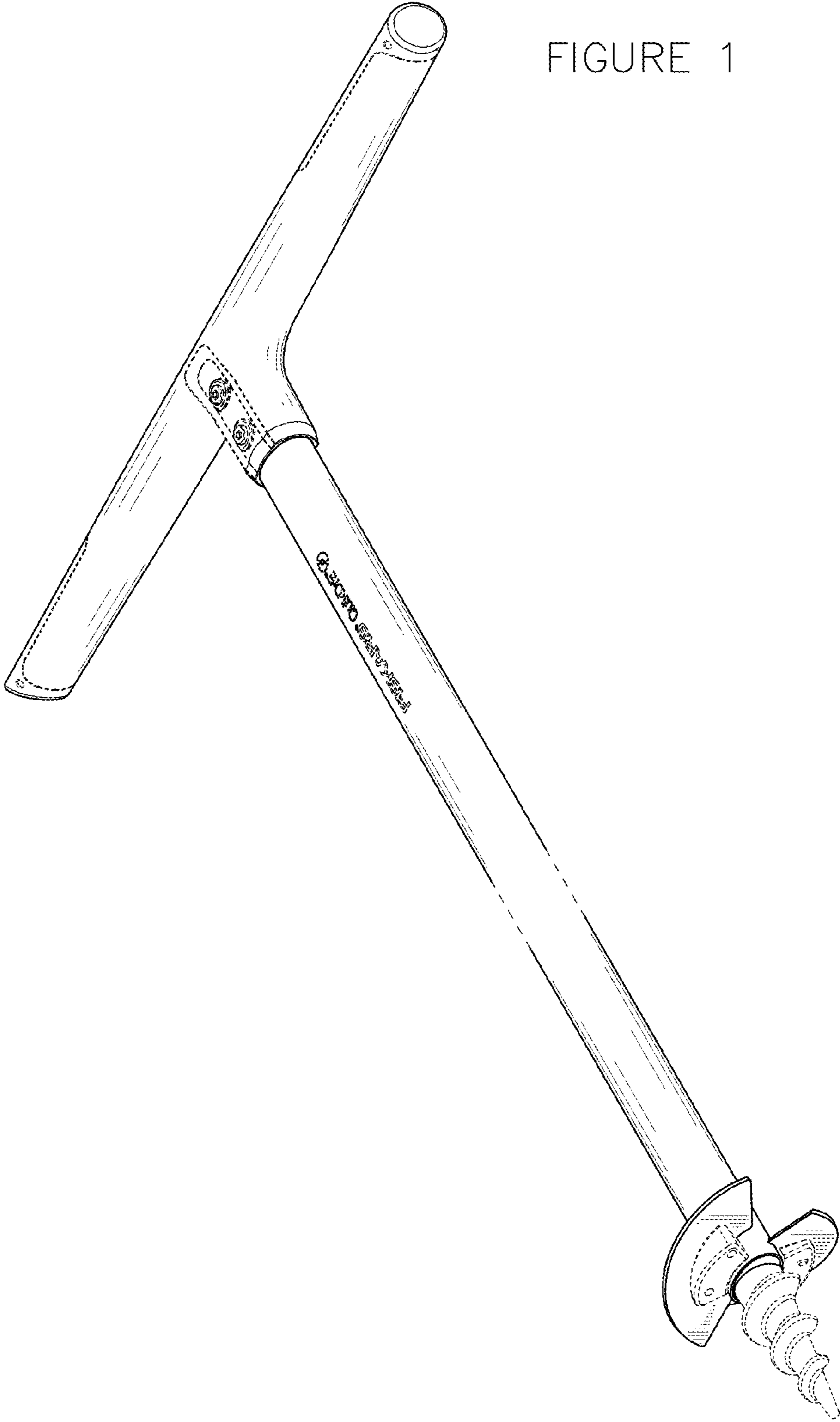


FIGURE 1

FIGURE 2

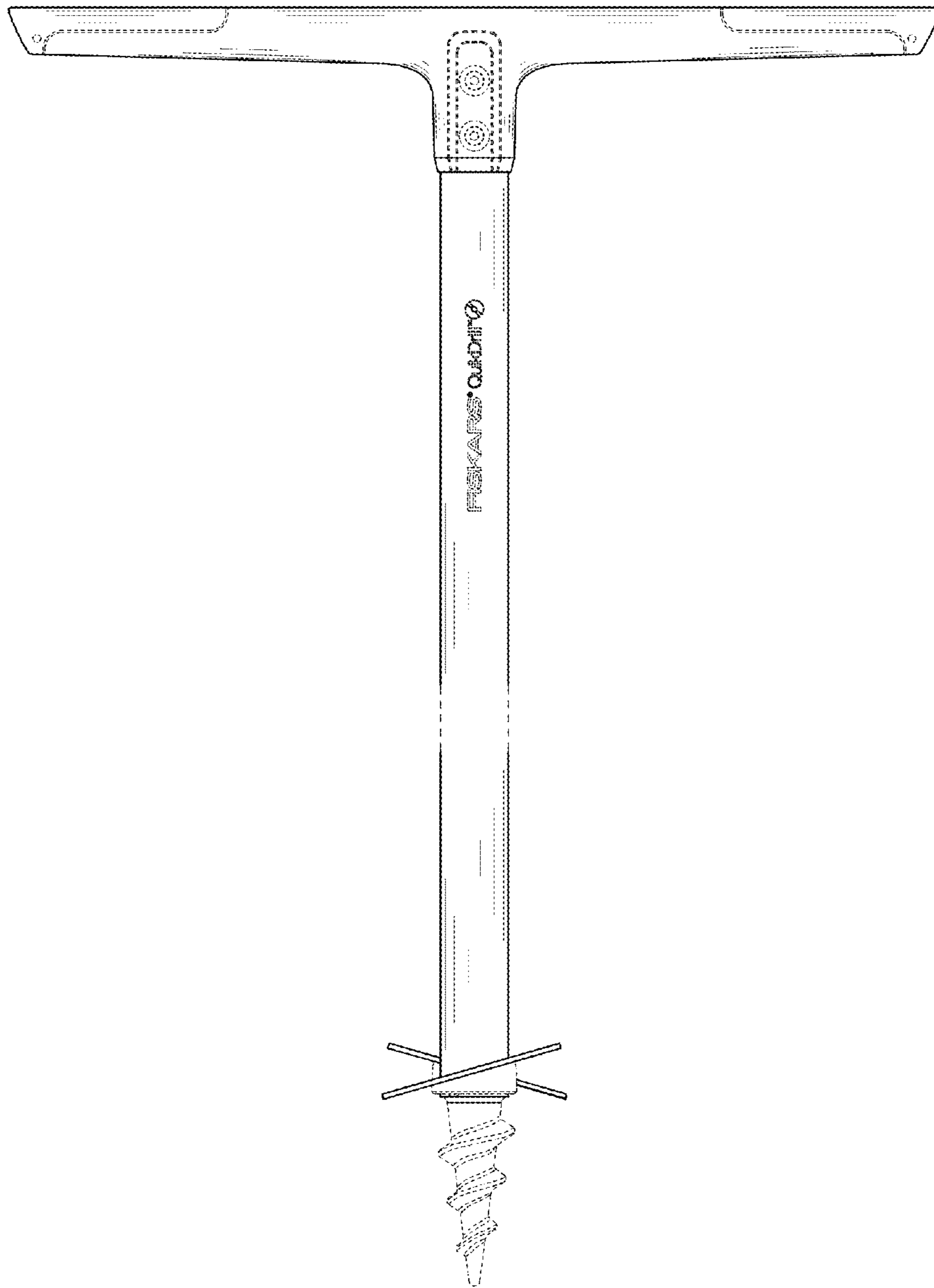


FIGURE 3

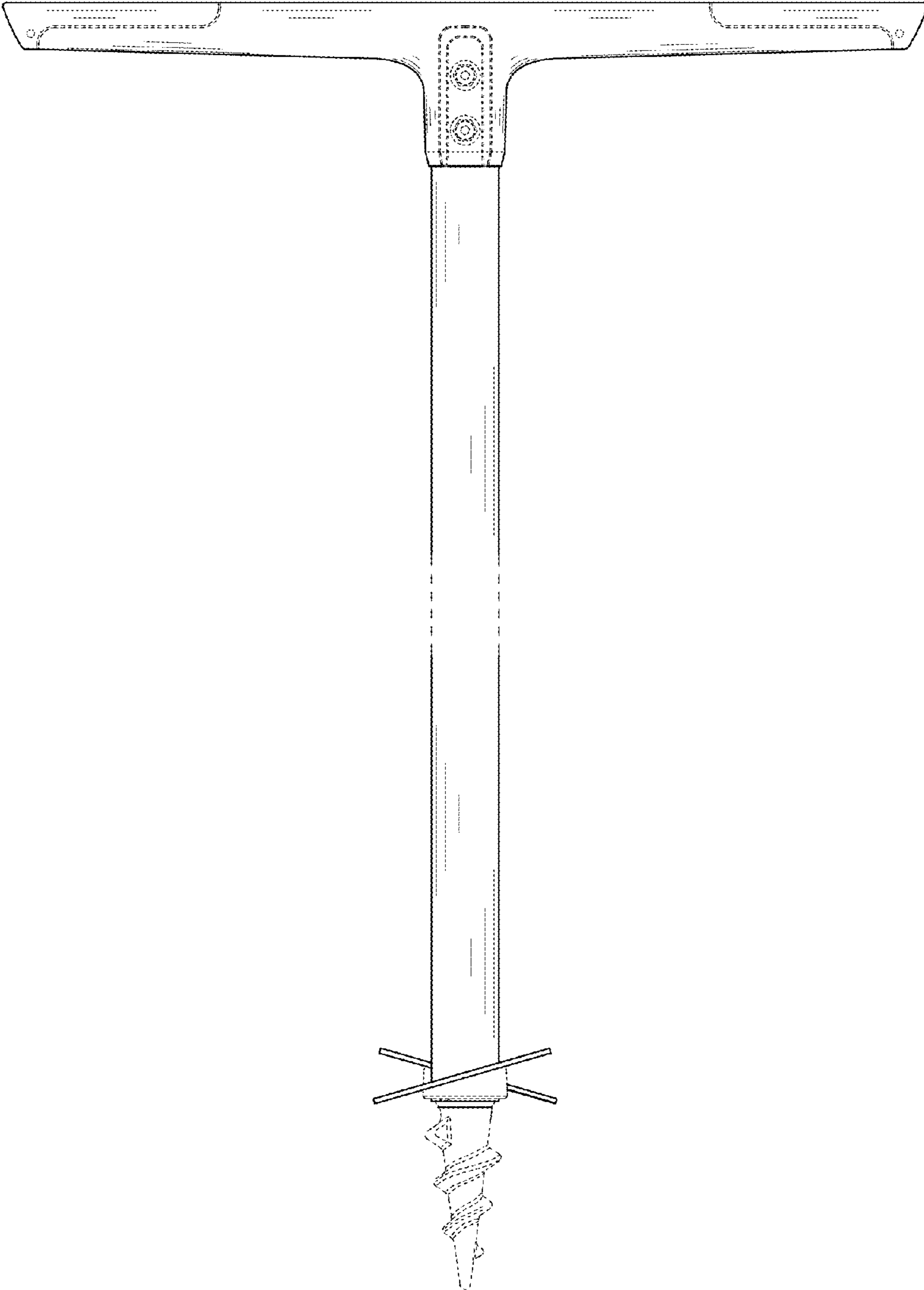


FIGURE 4

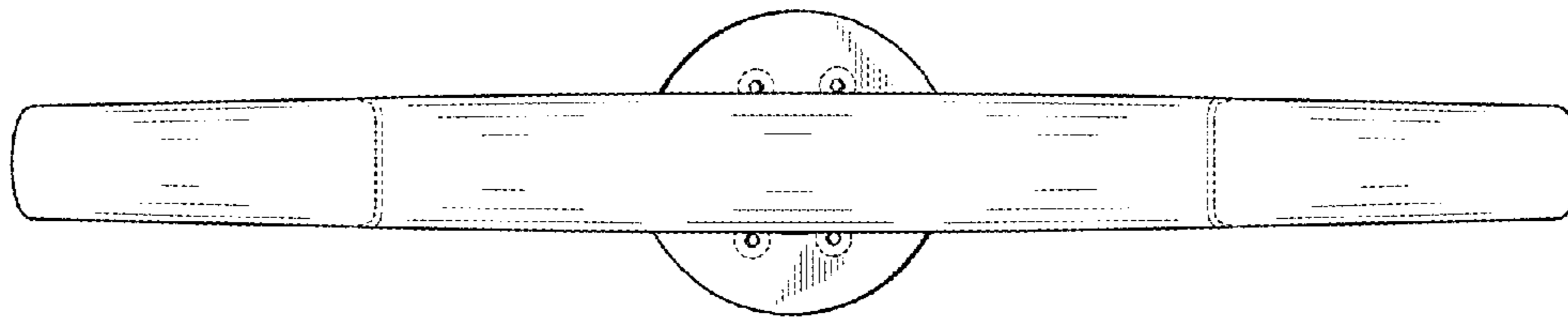


FIGURE 5

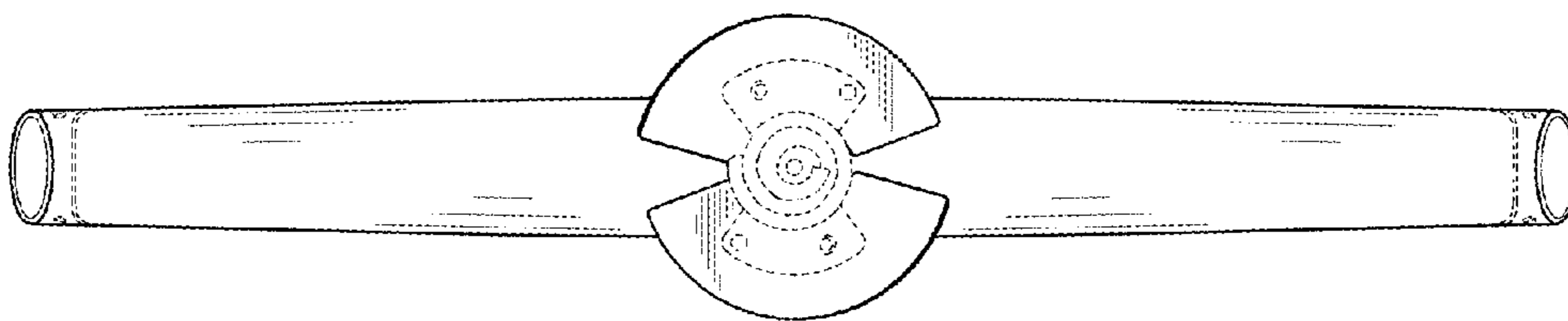


FIGURE 6

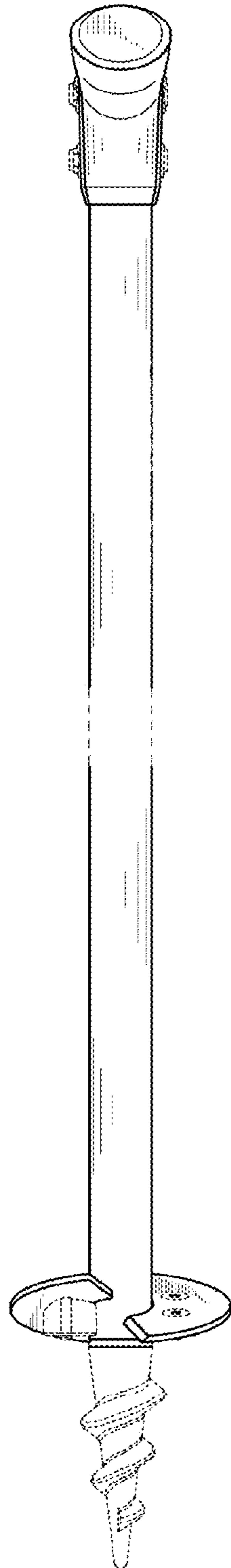


FIGURE 7

