



US00D711200S

(12) **United States Design Patent**
Hoyord et al.

(10) **Patent No.:** **US D711,200 S**

(45) **Date of Patent:** **** Aug. 19, 2014**

(54) **SPOON**

(71) Applicant: **Target Brands, Inc.**, Minneapolis, MN (US)

(72) Inventors: **Daniel J. Hoyord**, St. Paul, MN (US);
Emily T. Brown, Minneapolis, MN (US)

(73) Assignee: **Target Brands, Inc.**, Minneapolis, MN (US)

(**) Term: **14 Years**

(21) Appl. No.: **29/458,300**

(22) Filed: **Jun. 18, 2013**

(51) **LOC (10) Cl.** **07-02**

(52) **U.S. Cl.**
USPC **D7/691**

(58) **Field of Classification Search**
CPC A47G 21/04
USPC D7/680–696, 368, 669, 393, 395;
7/110, 113, 109; 30/324–328
See application file for complete search history.

(56) **References Cited**

U.S. PATENT DOCUMENTS

D466,377 S * 12/2002 Epstein et al. D7/692
D477,972 S * 8/2003 Schulein D7/667

(Continued)

OTHER PUBLICATIONS

Anolon, "Slotted Spoon—Nylon," <http://shop.anolon.com/store/p/460-Slotted-Spoon-Nylon.aspx>, at least as early as Jan. 2013, 1 page.
Recipetips, "Coconut Utensils," <http://www.recipetips.com/glossary-term/t--37544/coconut-utensils.asp>, at least as early as Jan. 2013, 1 page.
Everything Kitchens, "Joseph Joseph Elevated Slotted Spoon," <http://www.everythingkitchens.com/joseph-joseph-elevated-spoon-MELSLS0100SW.html>, at least as early as Jan. 2013, 1 page.

(Continued)

Primary Examiner — Terry Wallace

(74) *Attorney, Agent, or Firm* — Leanne Taveggia Farrell; Westman, Champlin & Koehler, P.A.

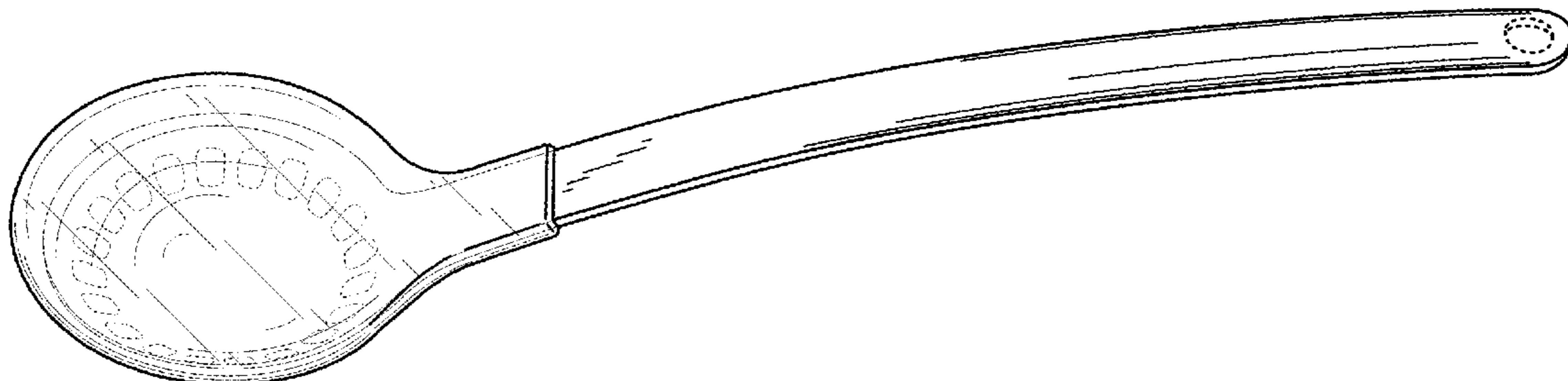
(57) **CLAIM**

The ornamental design for a spoon, as shown and described.

DESCRIPTION

FIG. 1 is a perspective view of a spoon showing our new design;
FIG. 2 is a side view thereof, the opposing side being a mirror image;
FIG. 3 is a front view thereof;
FIG. 4 is a rear view thereof;
FIG. 5 is a top view thereof;
FIG. 6 is a bottom view thereof;
FIG. 7 is a perspective view of a second embodiment thereof;
FIG. 8 is a side view of FIG. 7, the opposing side being a mirror image;
FIG. 9 is a front view of FIG. 7;
FIG. 10 is a rear view of FIG. 7;
FIG. 11 is a top view of FIG. 7;
FIG. 12 is a bottom view of FIG. 7;
FIG. 13 is a perspective view of a third embodiment thereof;
FIG. 14 is a side view of FIG. 13, the opposing side being a mirror image;
FIG. 15 is a front view of FIG. 13;
FIG. 16 is a rear view of FIG. 13;
FIG. 17 is a top view of FIG. 13;
FIG. 18 is a bottom view of FIG. 13;
FIG. 19 is a perspective view of a fourth embodiment thereof;
FIG. 20 is a side view of FIG. 19, the opposing side being a mirror image;
FIG. 21 is a front view of FIG. 19;
FIG. 22 is a rear view of FIG. 19;
FIG. 23 is a top view of FIG. 19; and,
FIG. 24 is a bottom view of FIG. 19.
The broken lines shown in the drawings are included for purposes of illustrating portions of the spoon and form no part of the claimed design.

1 Claim, 16 Drawing Sheets



(56)

References Cited

U.S. PATENT DOCUMENTS

D487,675 S * 3/2004 Overthun et al. D7/667
D503,874 S * 4/2005 Lu D7/692
D525,836 S * 8/2006 Moore D7/689

OTHER PUBLICATIONS

Crate&Barrel, "OXO® Nylon Slotted Spoon," <http://www.crateandbarrel.com/oxo-nylon-slotted-spoon/s177949>, at least as early as Jan. 2013, 1 page.

* cited by examiner

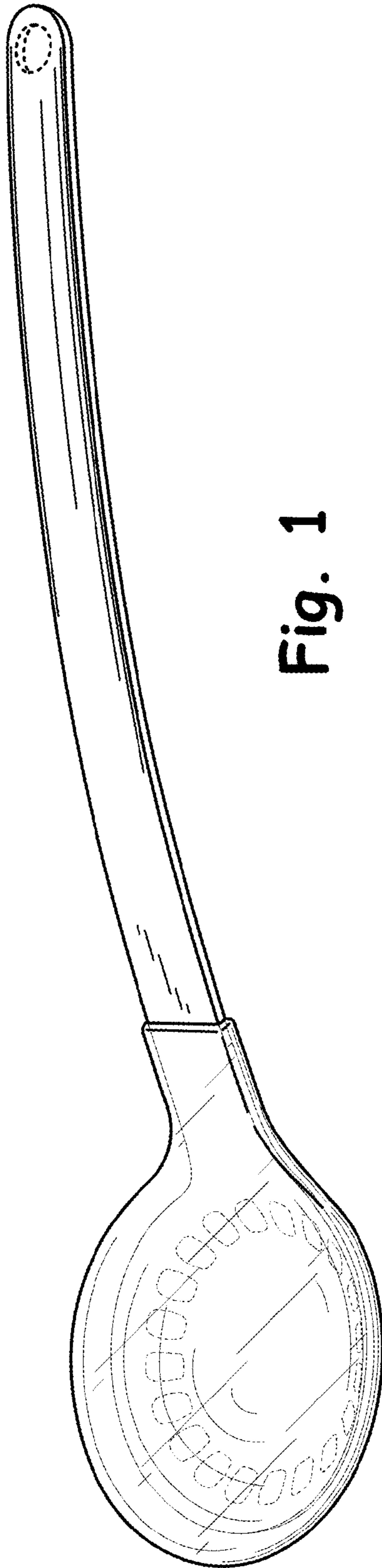


Fig. 1

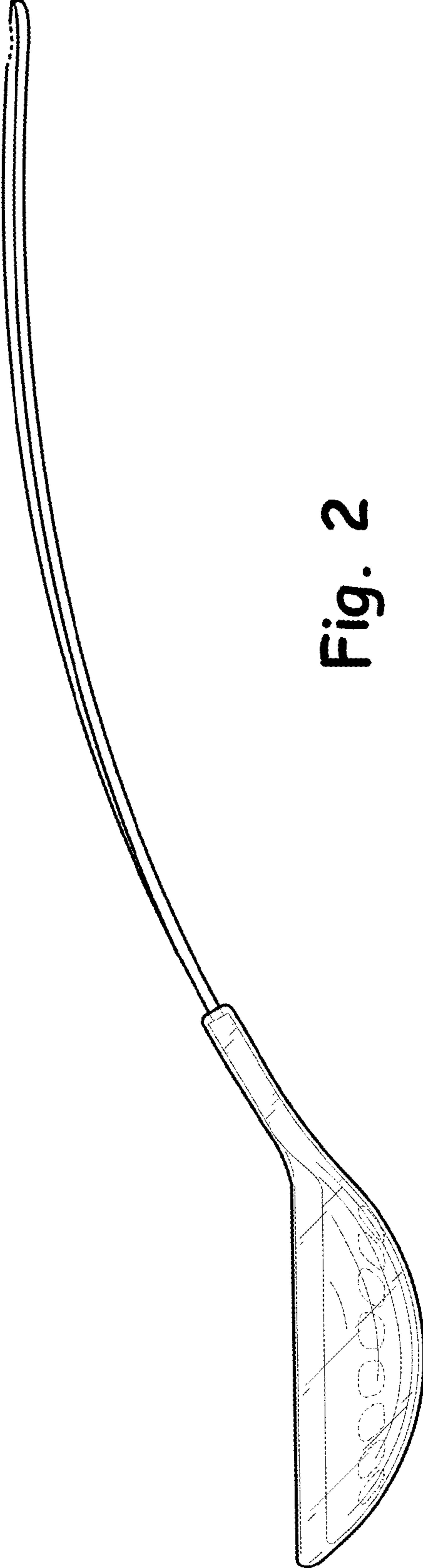


Fig. 2

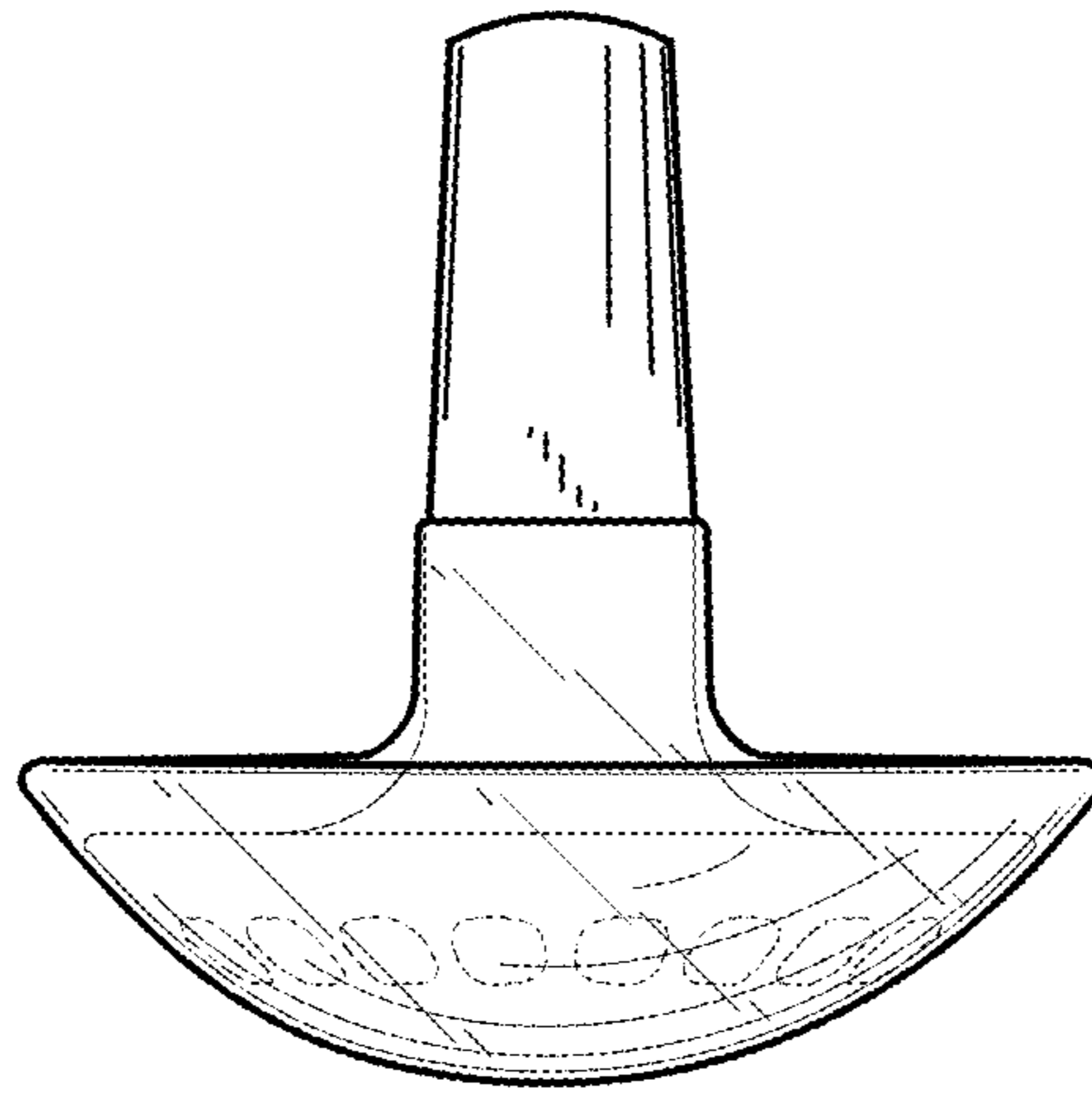


Fig. 3

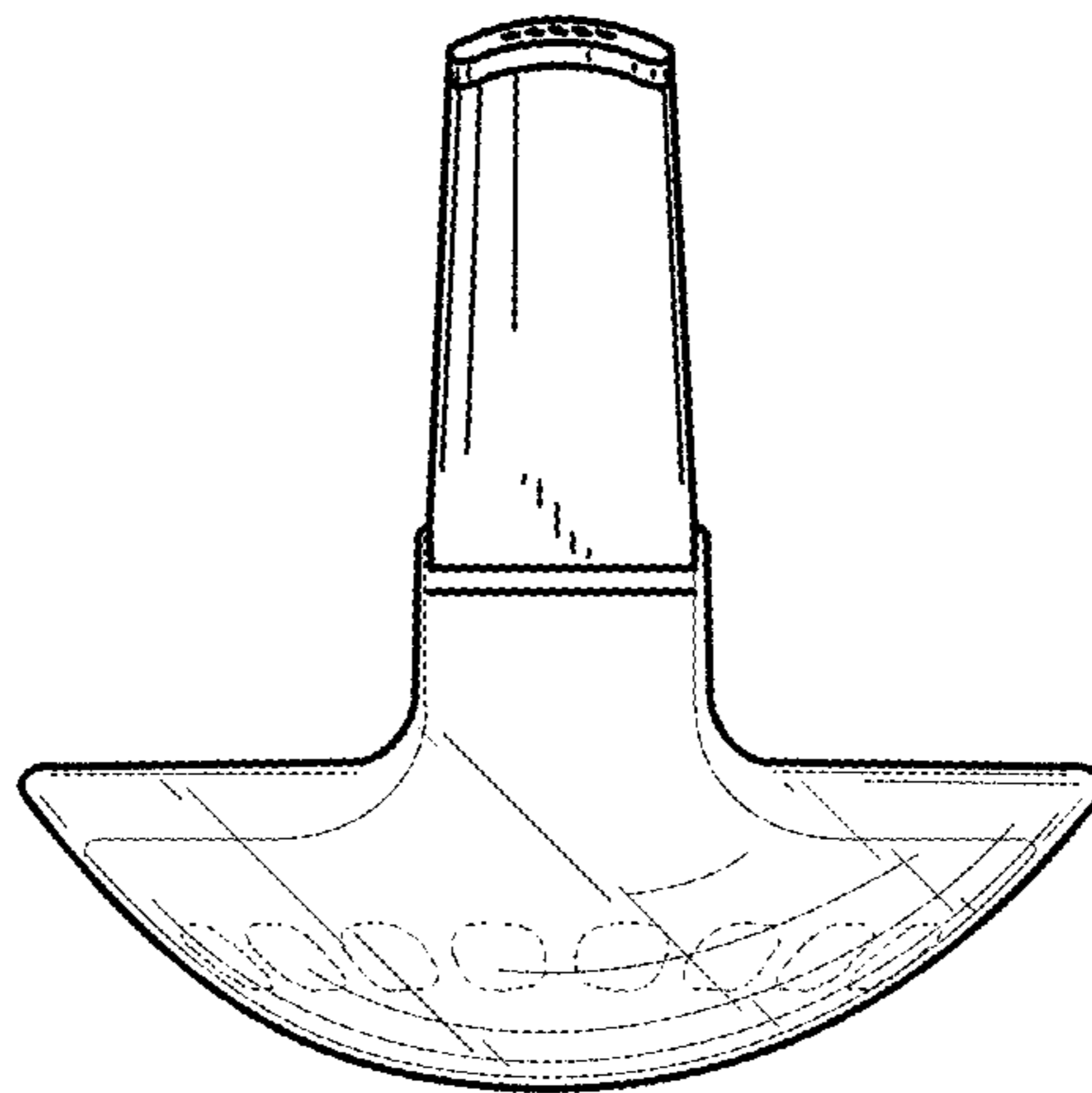


Fig. 4

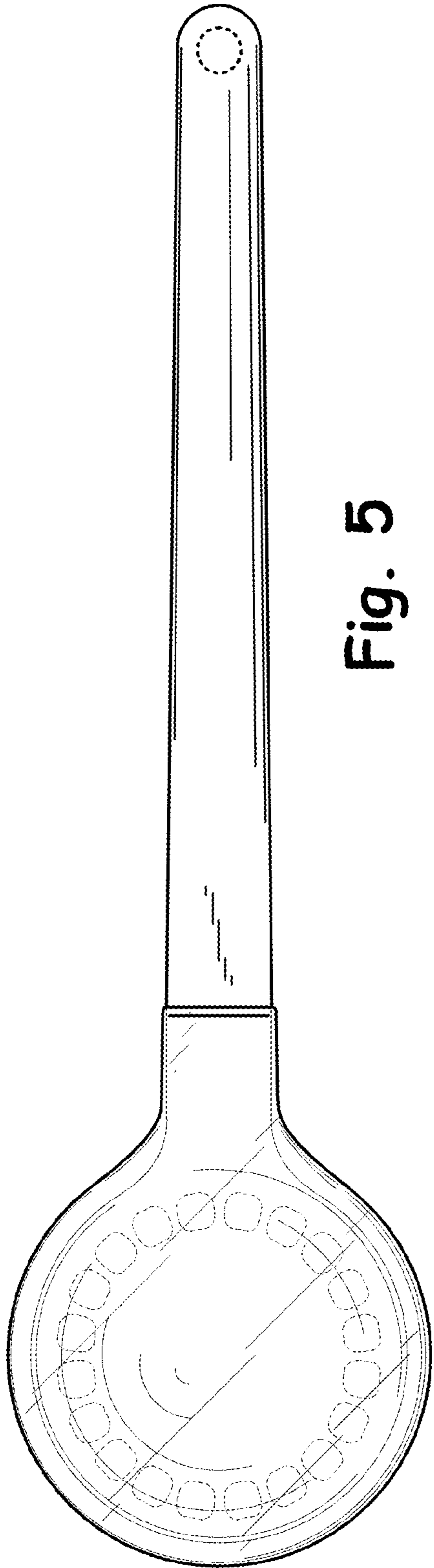


Fig. 5

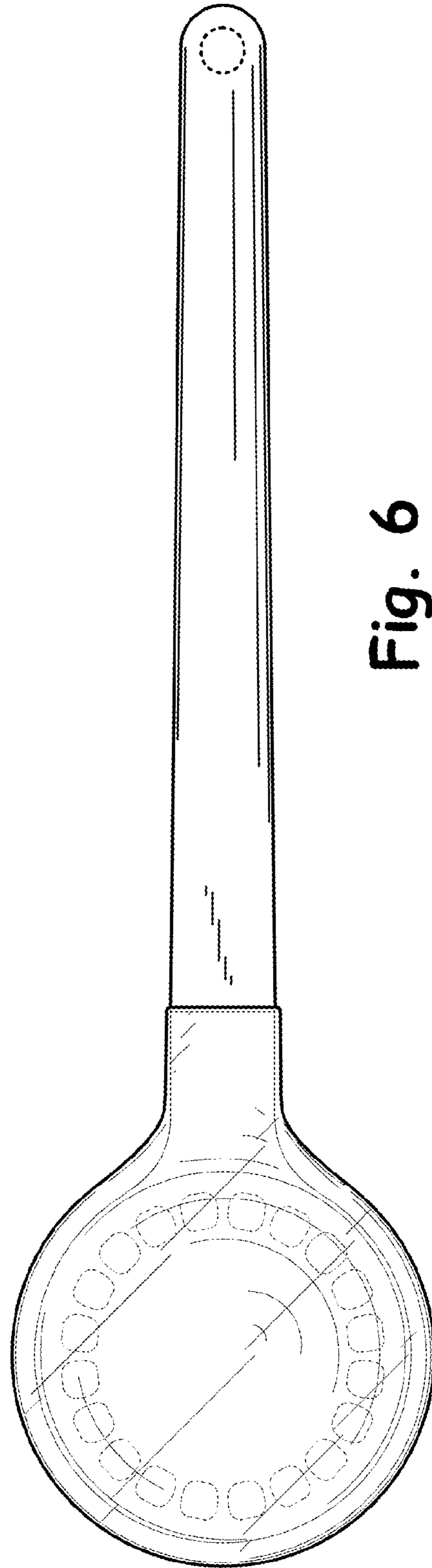


Fig. 6

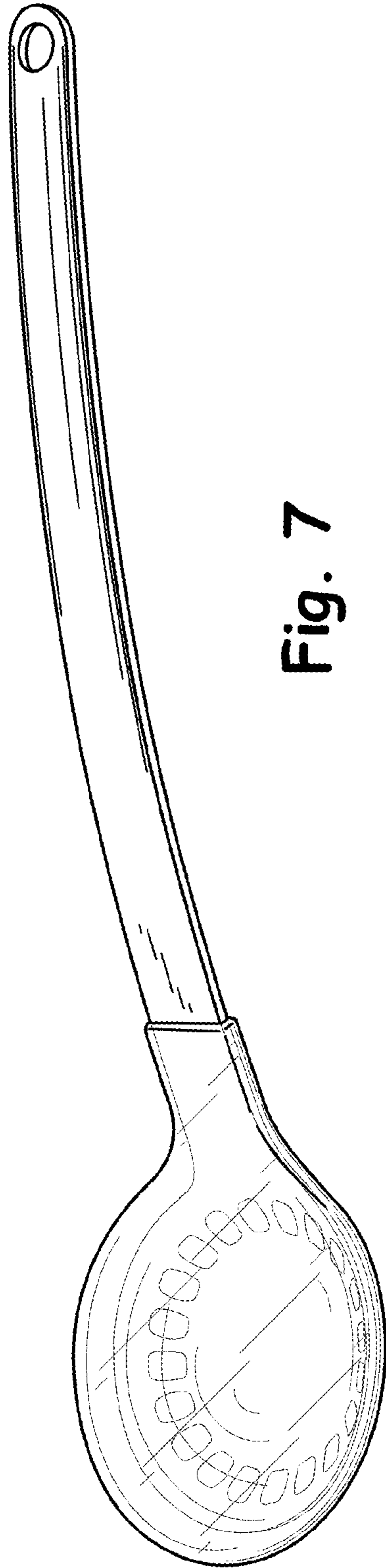


Fig. 7

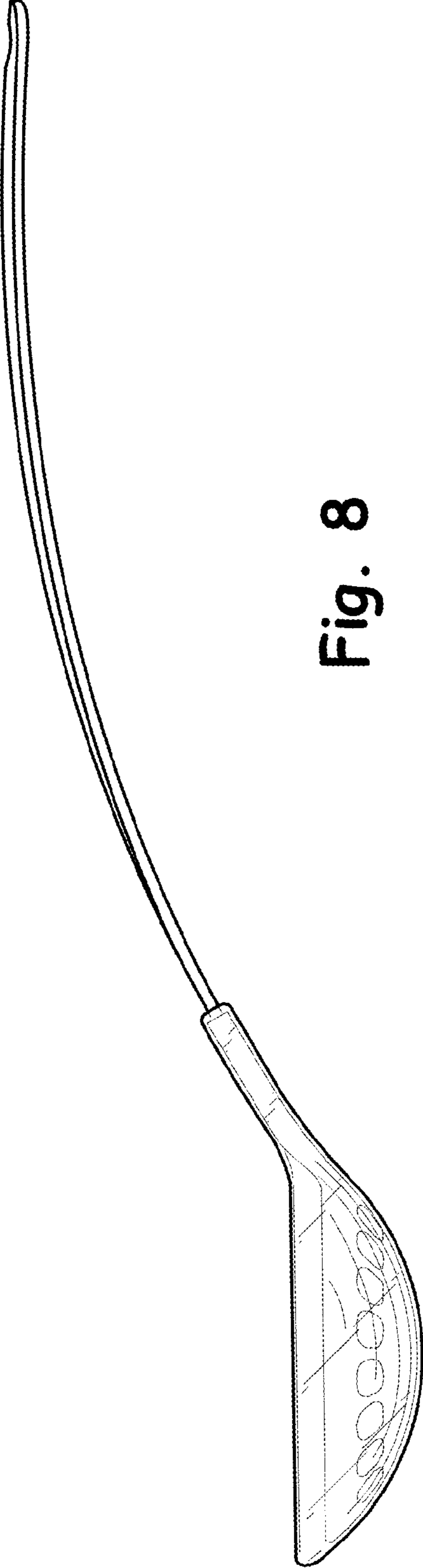


Fig. 8

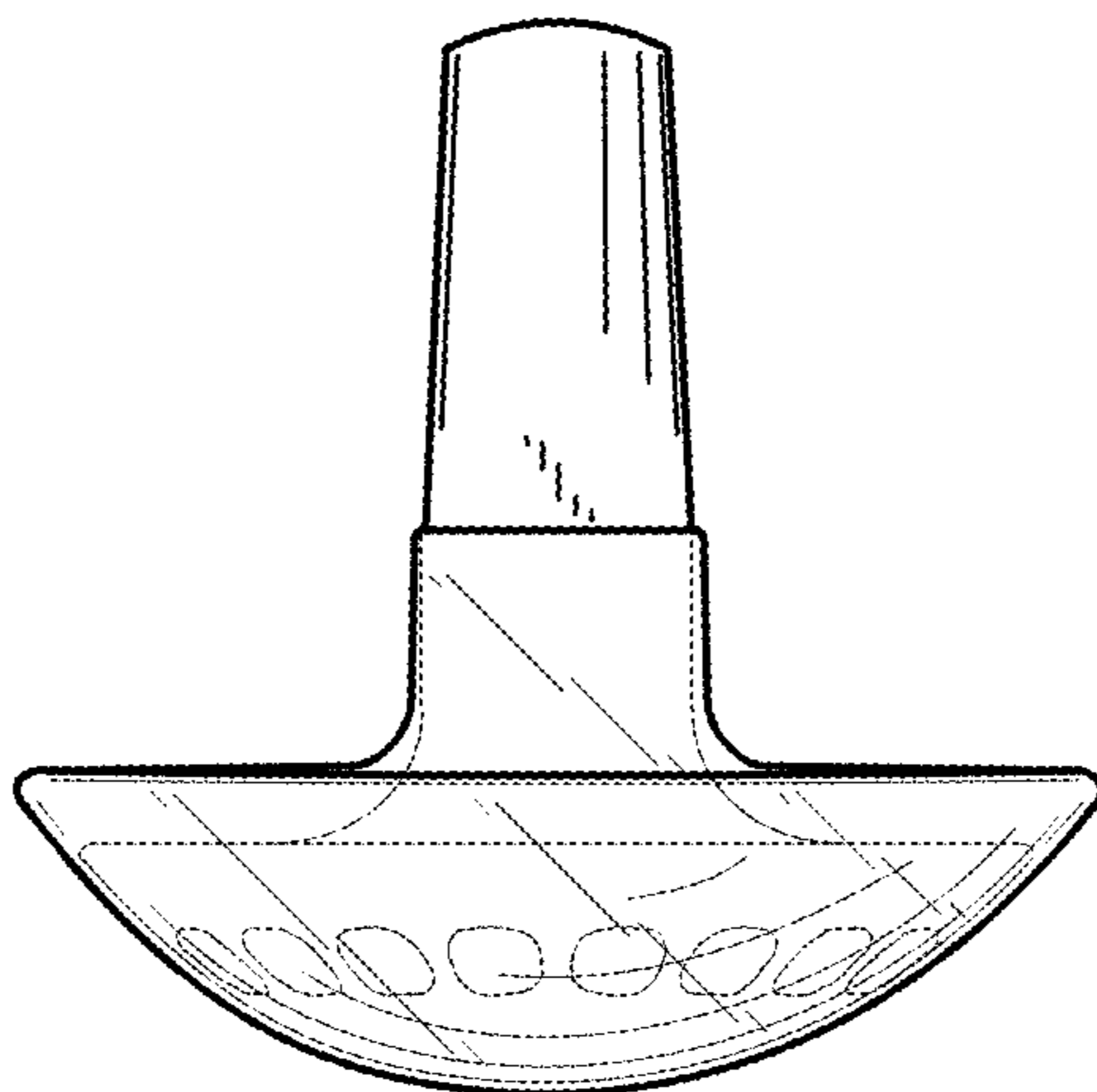


Fig. 9

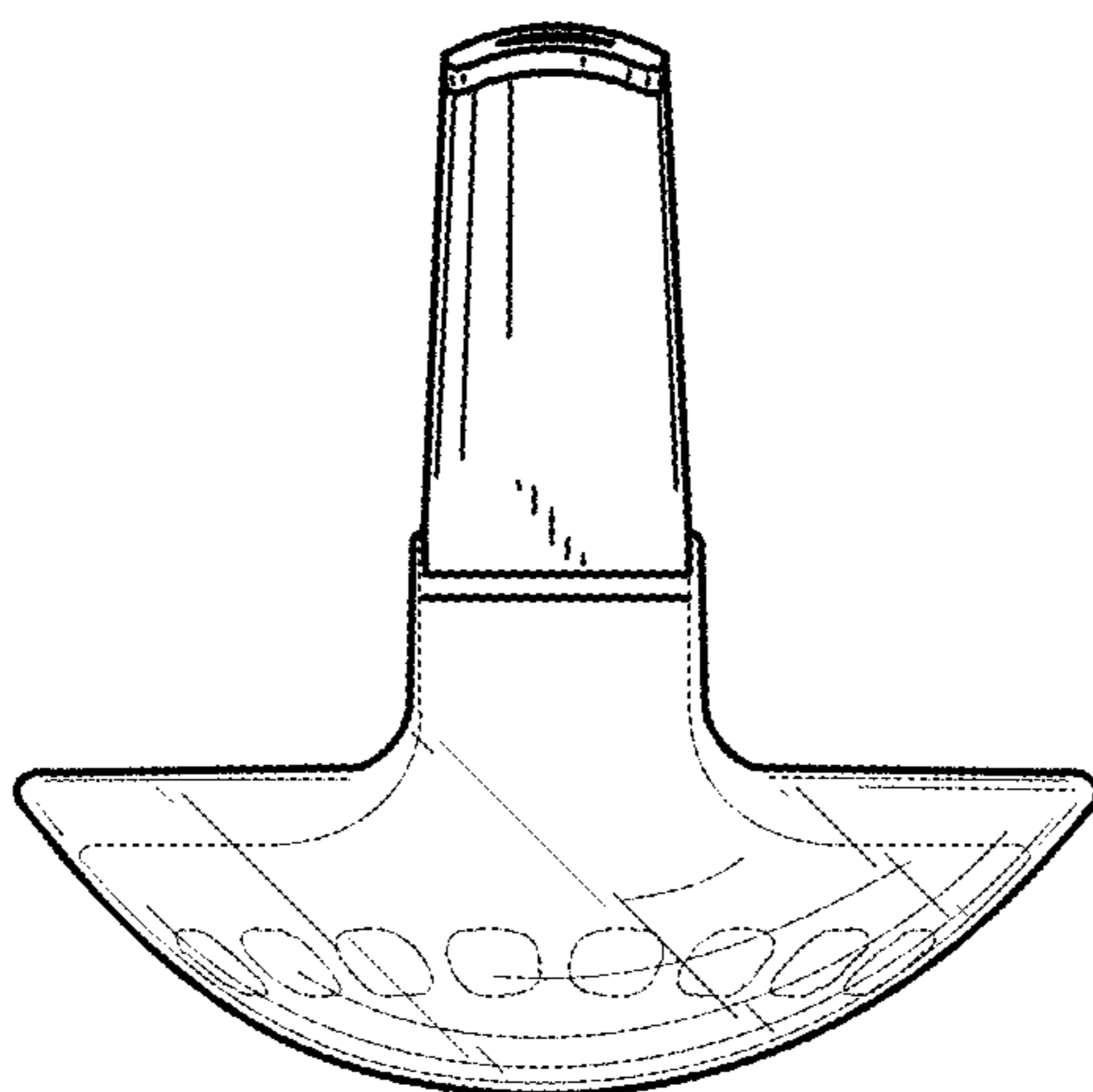


Fig. 10

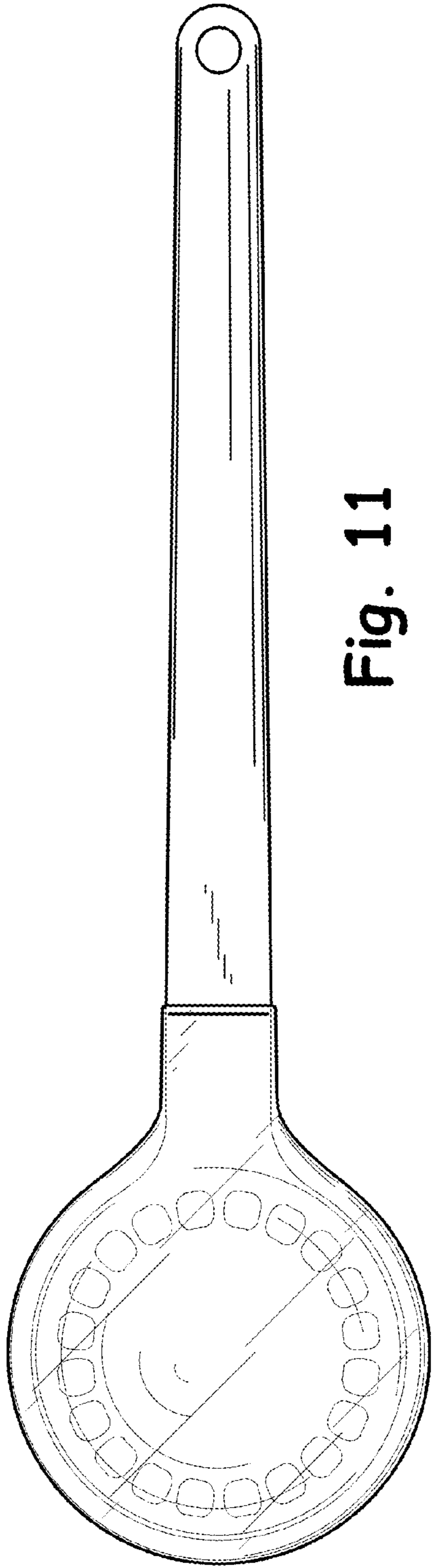


Fig. 11

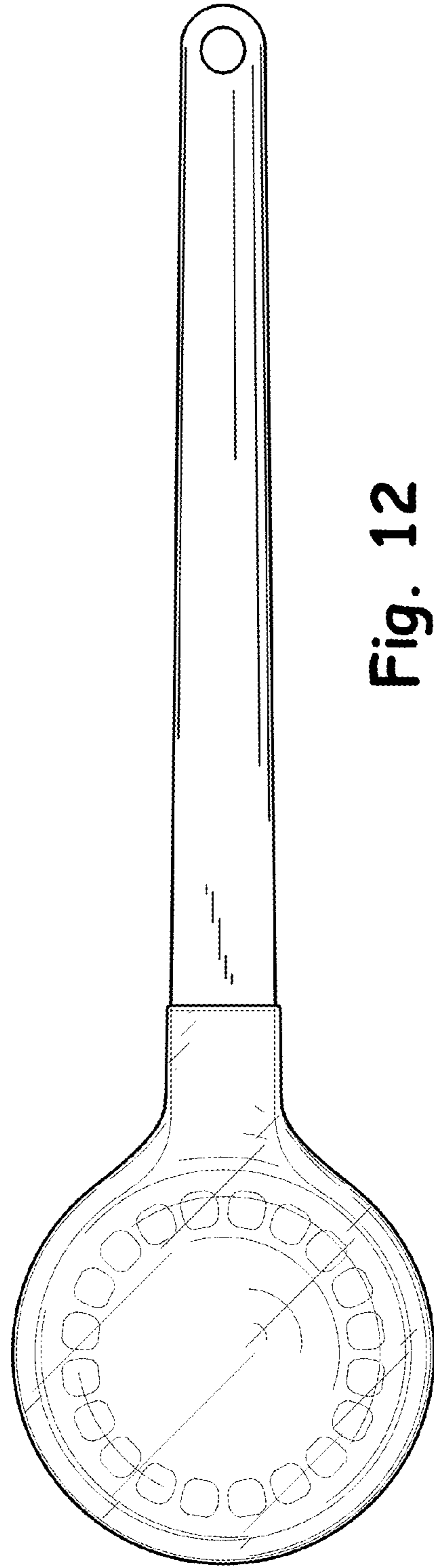


Fig. 12

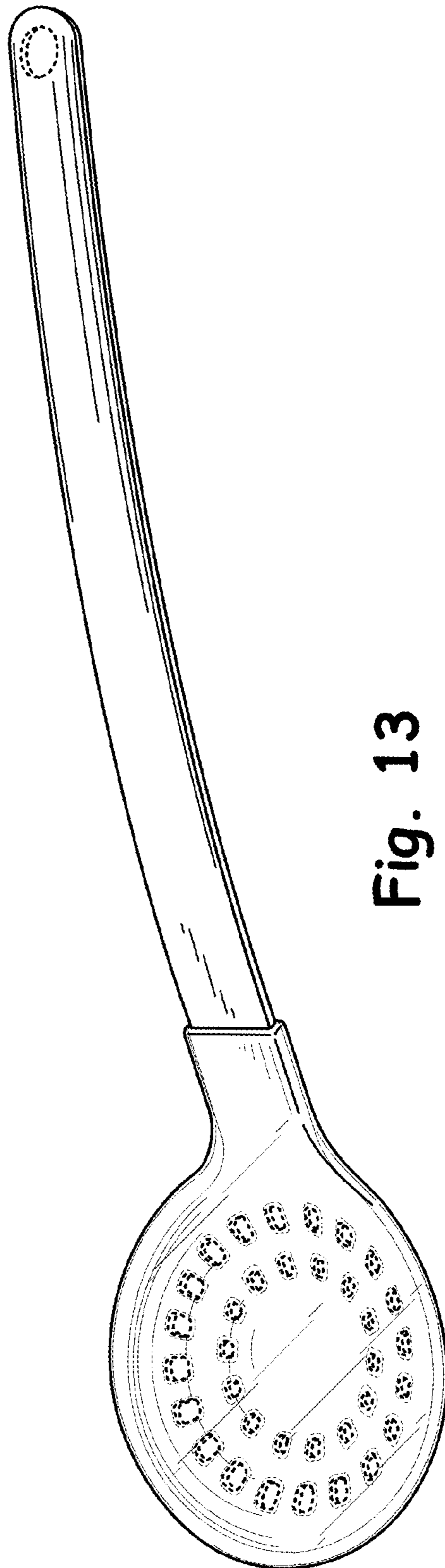


Fig. 13

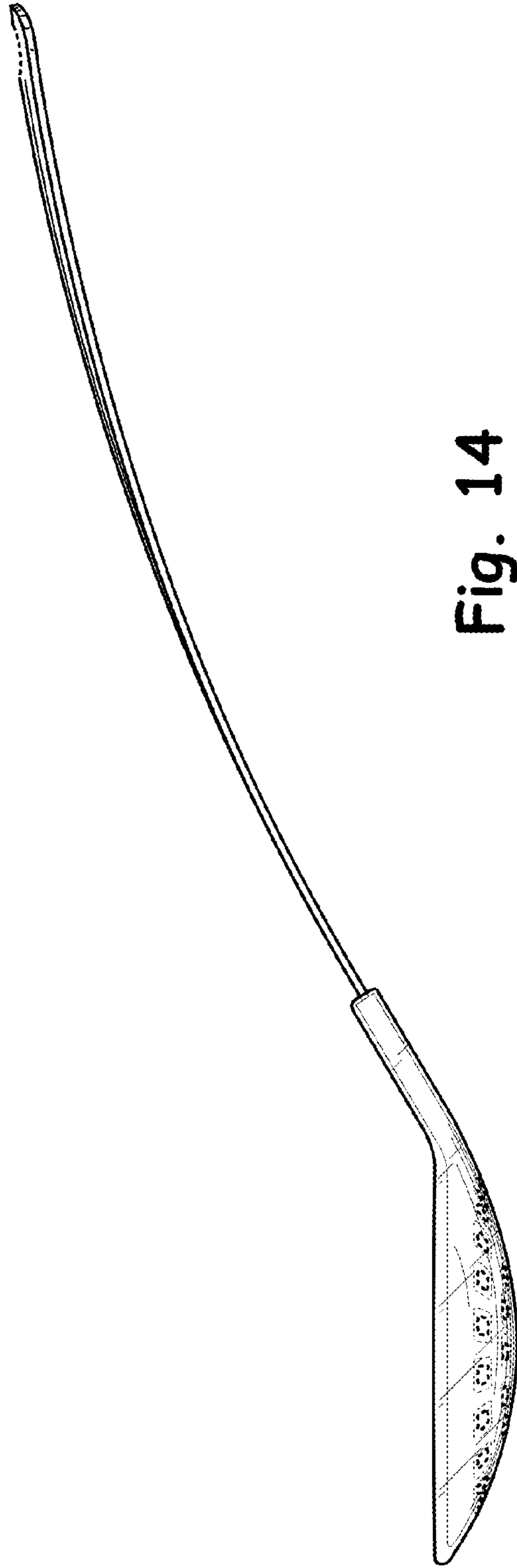


Fig. 14

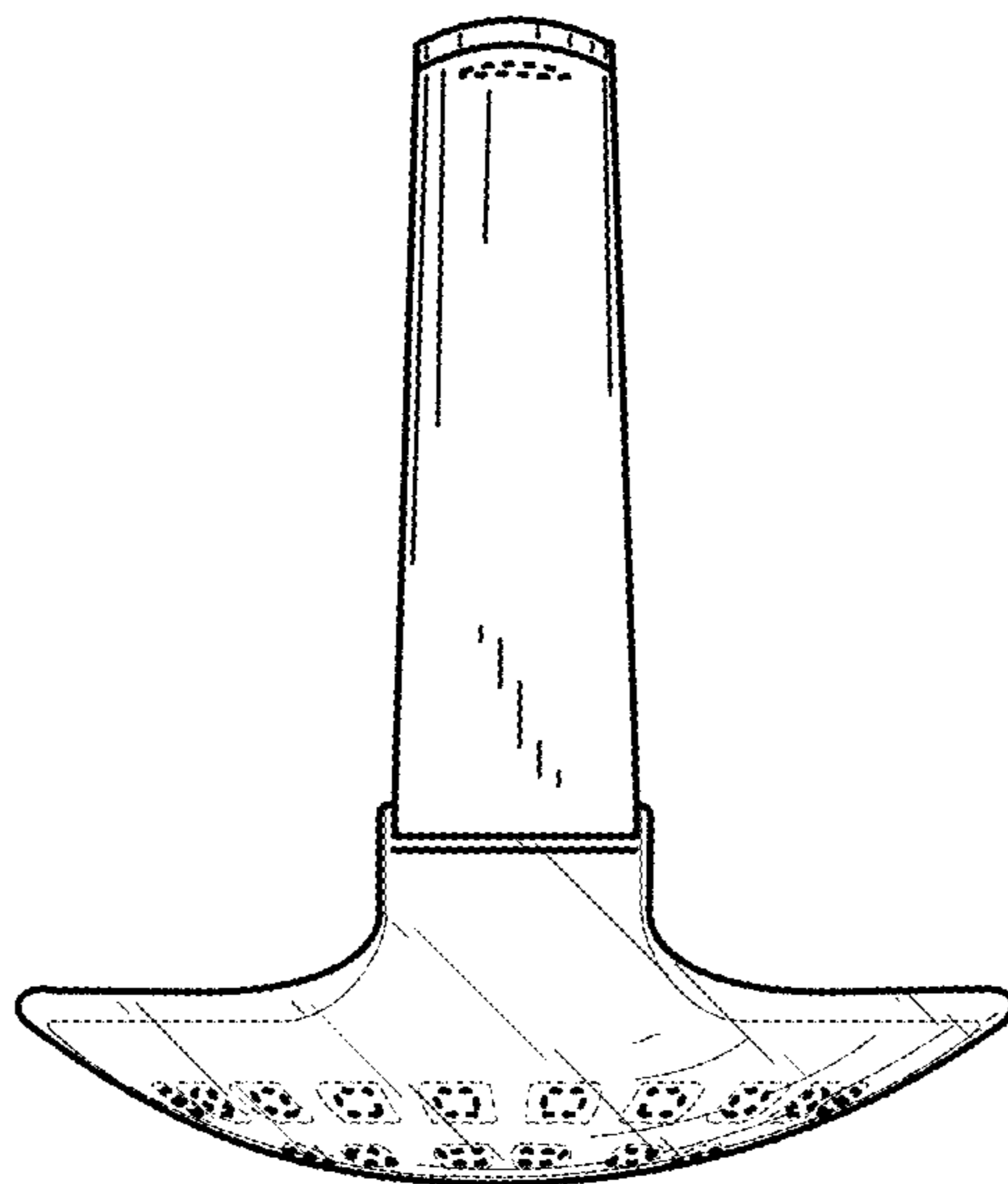


Fig. 15

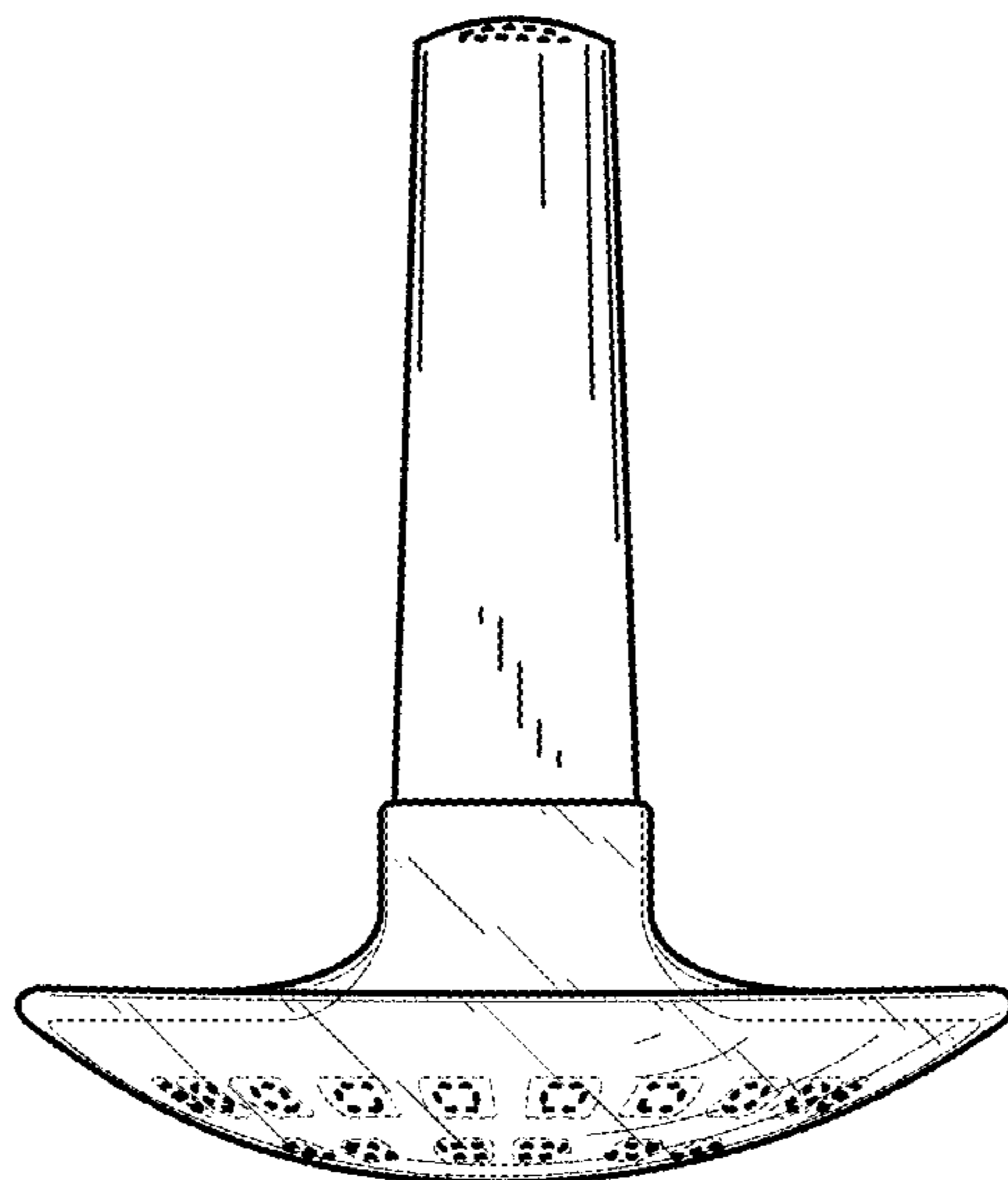


Fig. 16

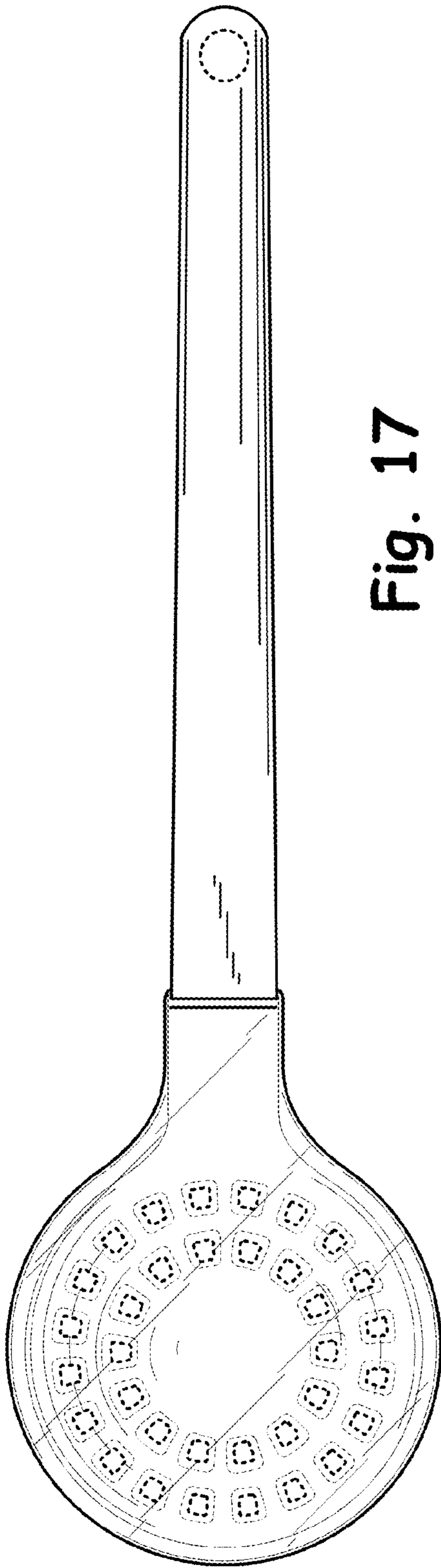


Fig. 17

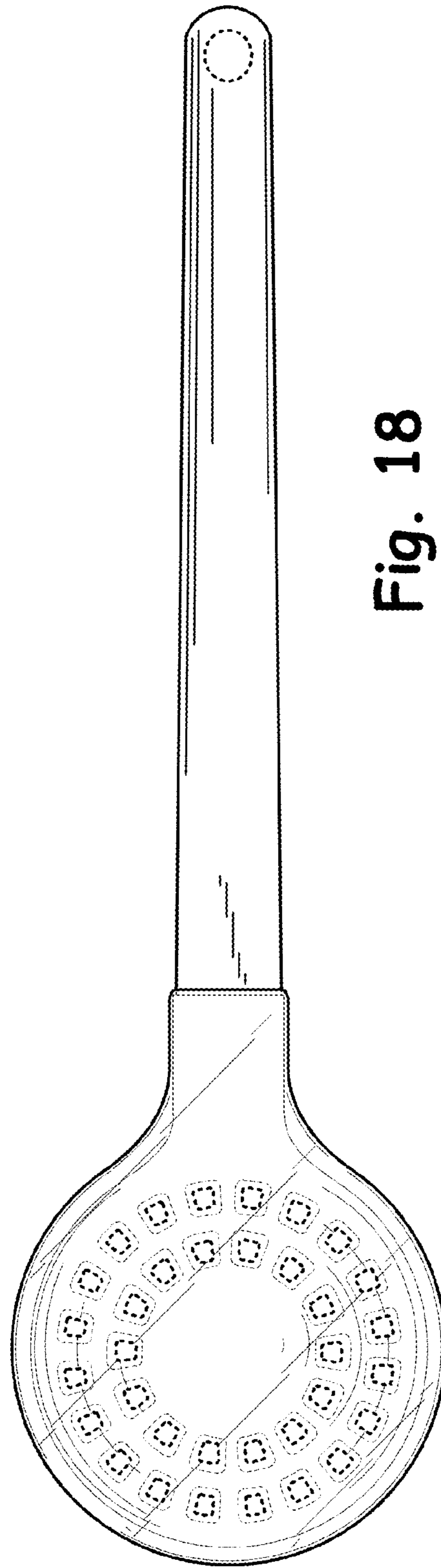


Fig. 18

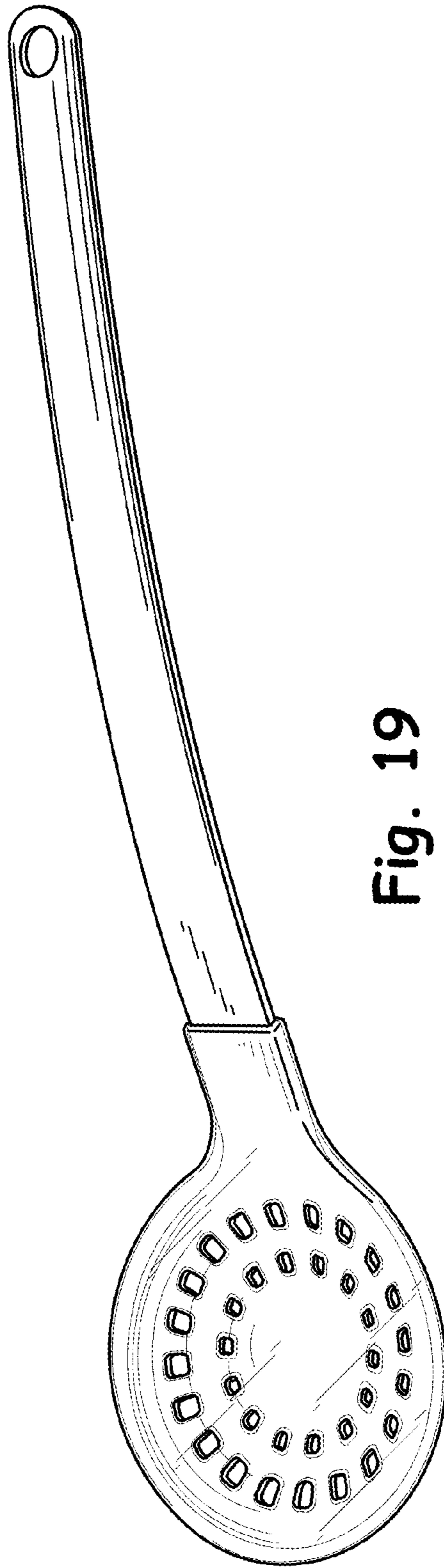


Fig. 19

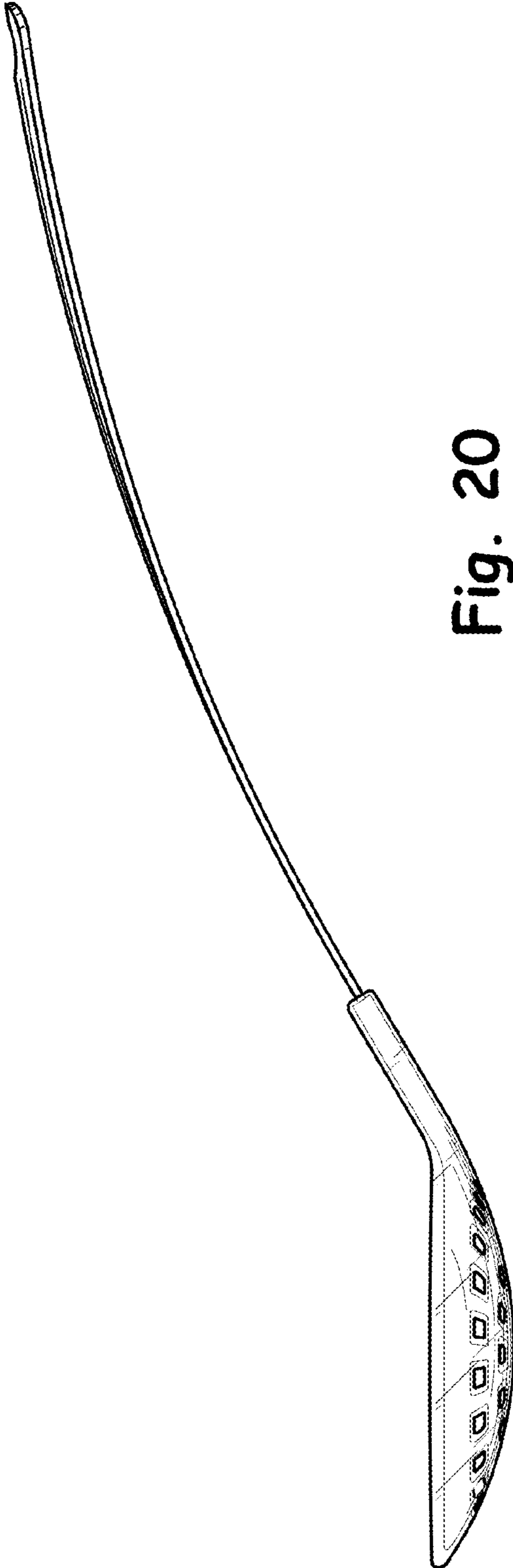


Fig. 20

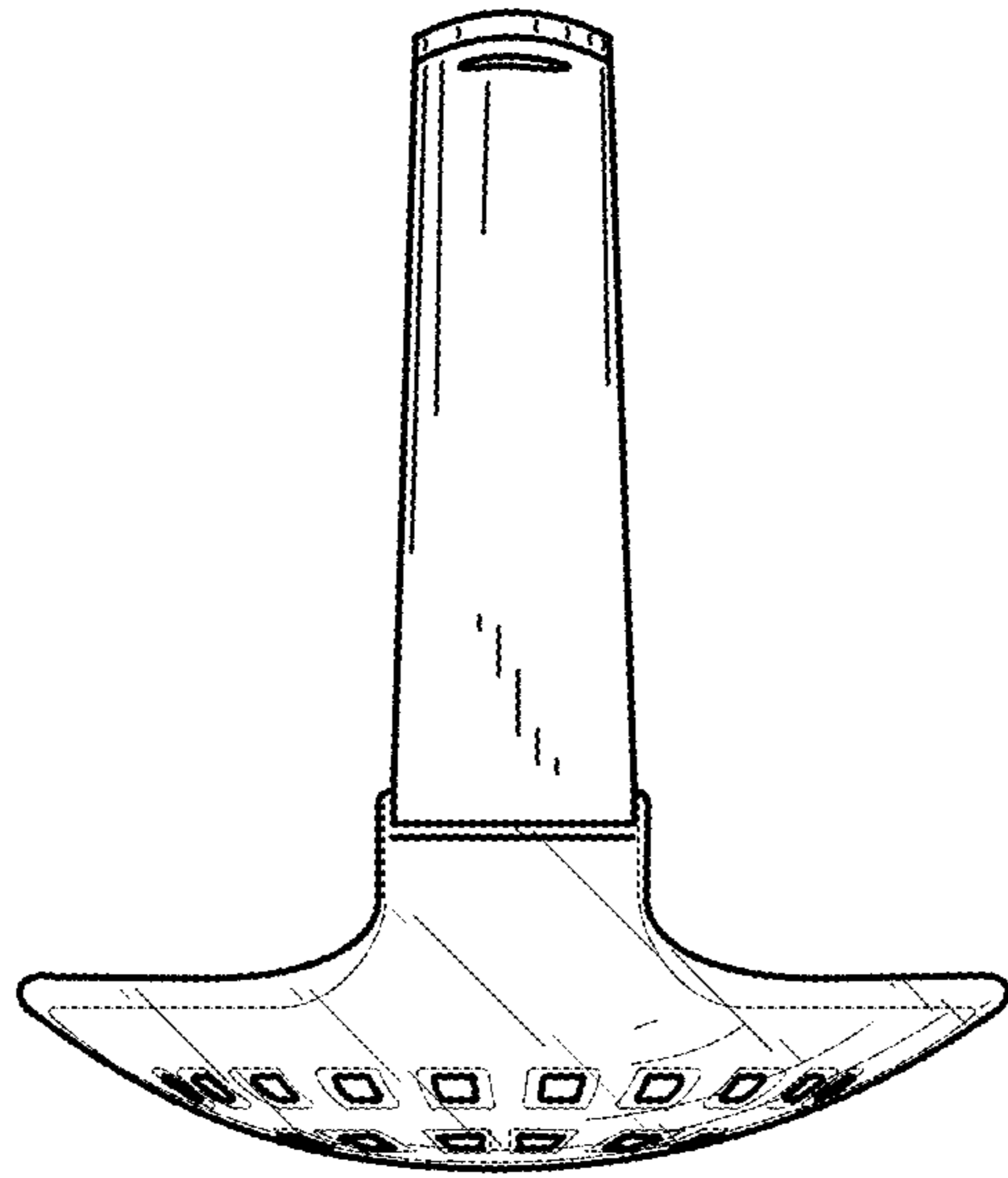


Fig. 21

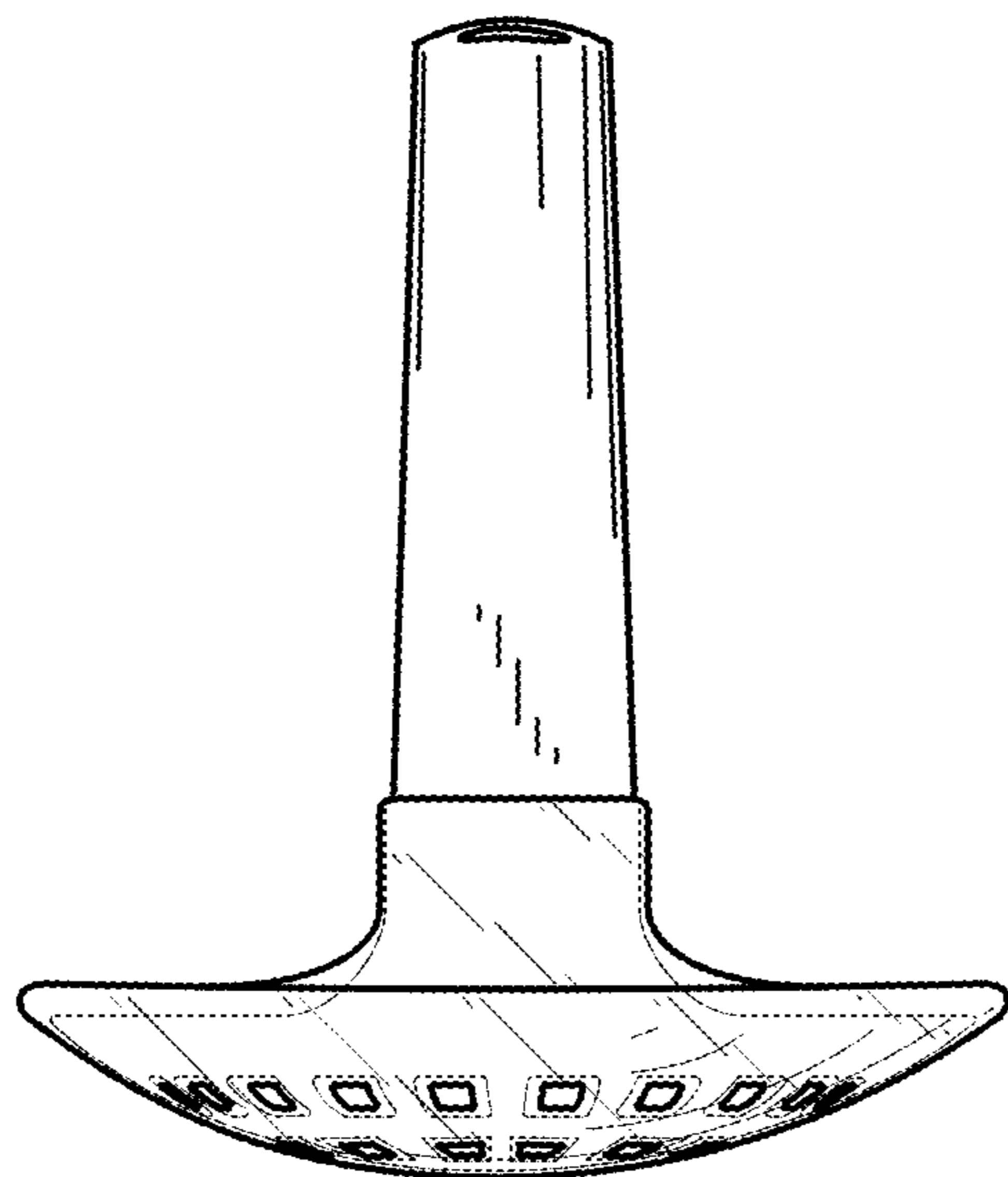


Fig. 22

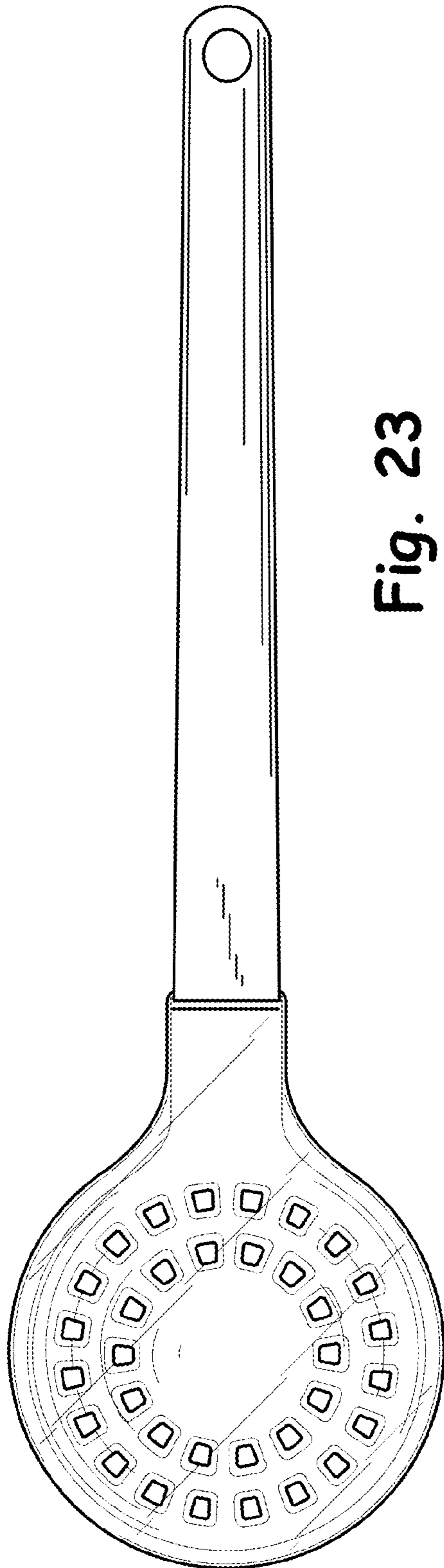


Fig. 23

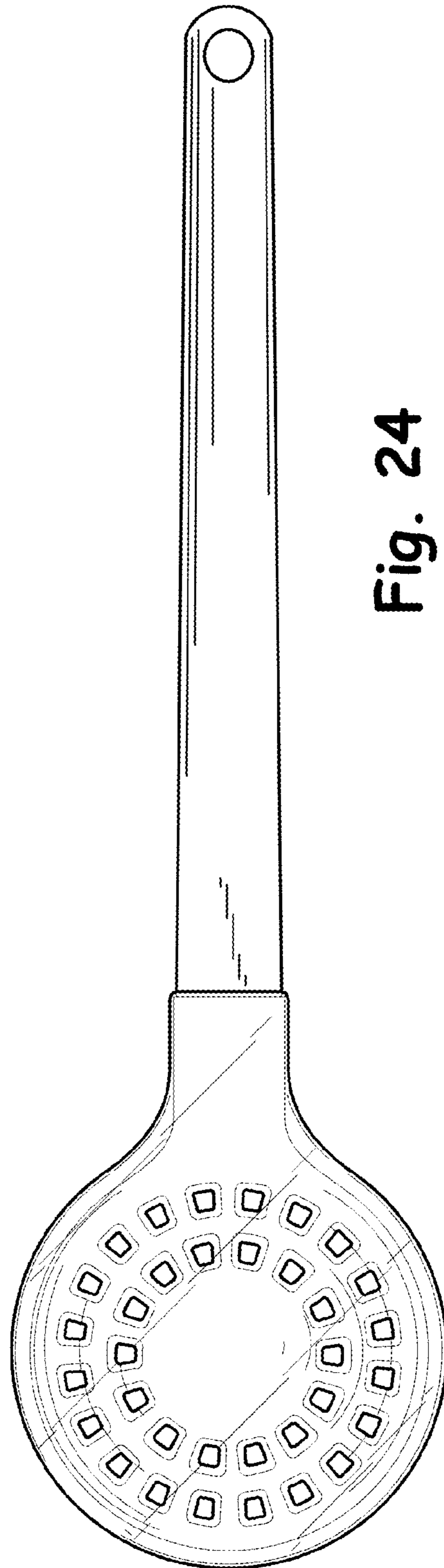


Fig. 24