



US00D711199S

(12) **United States Design Patent**
Regadanz et al.

(10) **Patent No.:** **US D711,199 S**

(45) **Date of Patent:** **** Aug. 19, 2014**

(54) **SPATULA WITH SCOOP EDGE**

(56) **References Cited**

(71) Applicants: **Bruce Regadanz**, Fresno, CA (US);
Beverly Regadanz, Fresno, CA (US)

U.S. PATENT DOCUMENTS

2,243,236	A *	5/1941	Walsh	254/133 R
2,567,091	A *	9/1951	Whitnah et al.	294/7
2,602,686	A *	7/1952	Raines	294/219
D175,304	S *	8/1955	Govin	D7/692
3,730,579	A	5/1973	Mock		
4,088,360	A	5/1978	Jenkins et al.		
4,159,839	A *	7/1979	Sigler	294/180

(72) Inventors: **Bruce Regadanz**, Fresno, CA (US);
Beverly Regadanz, Fresno, CA (US)

(**) Term: **14 Years**

* cited by examiner

(21) Appl. No.: **29/468,965**

Primary Examiner — Terry Wallace

(74) *Attorney, Agent, or Firm* — Crossley Patent Law;
Micah C. Gunn

(22) Filed: **Oct. 4, 2013**

(51) **LOC (10) Cl.** **07-02**

(57) **CLAIM**

The ornamental design for a spatula with scoop edge, as shown and described.

(52) **U.S. Cl.**

DESCRIPTION

USPC **D7/688**; D7/691

(58) **Field of Classification Search**

CPC A47J 43/2788

USPC D7/680–695, 393, 395; D32/40, 43, 46;

7/110, 113; 294/7, 8, 49, 176;

15/236.07, 236.08, 236.01, 245, 143.1;

30/142, 124, 123

FIG. 1 is a top plan view of a spatula with scoop edge showing our new design;

FIG. 2 is a bottom plan view thereof;

FIG. 3 is a right side elevation view thereof;

FIG. 4 is a left side elevation view thereof;

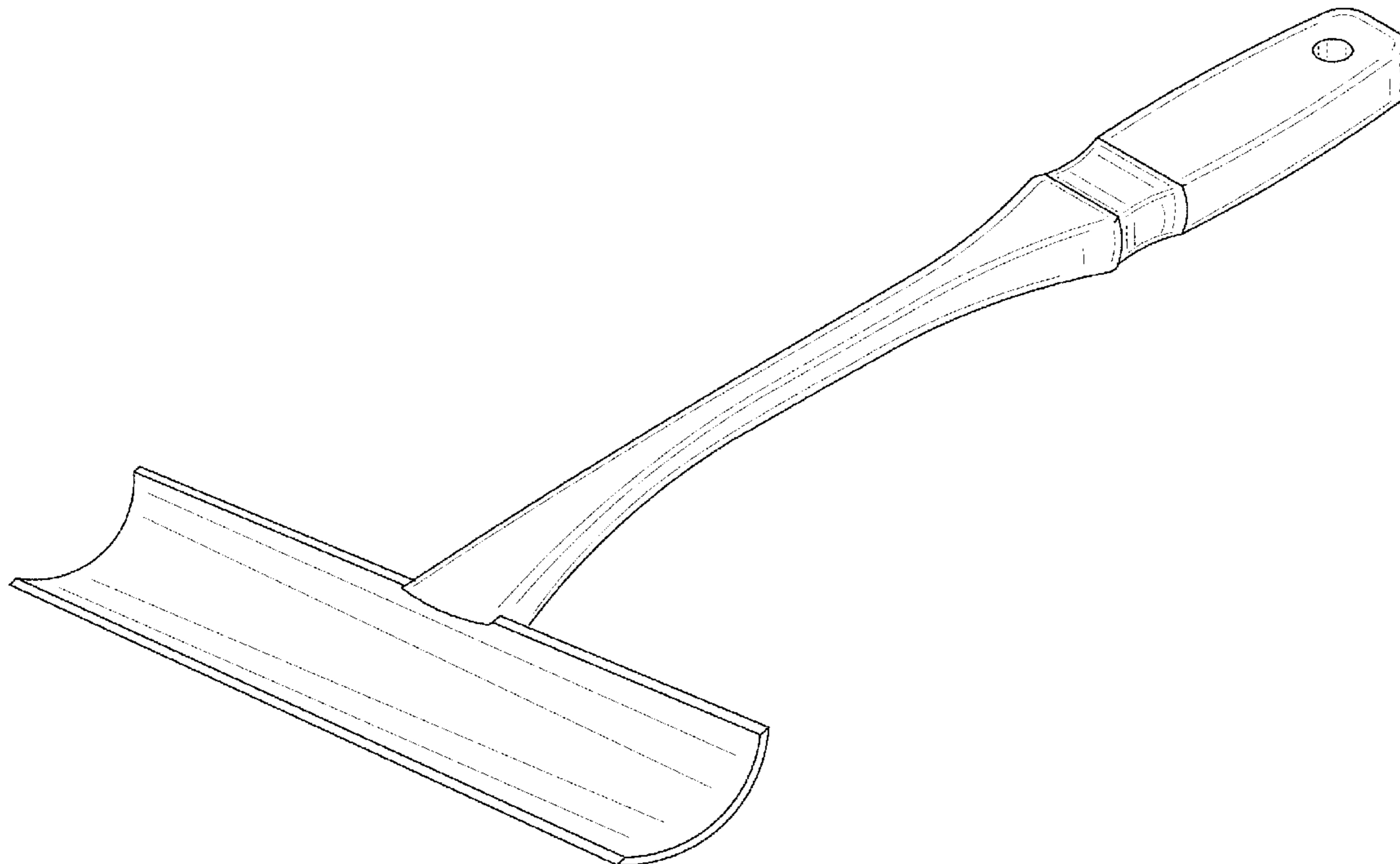
FIG. 5 is a front elevation view thereof;

FIG. 6 is a rear elevation view thereof; and,

FIG. 7 is an isometric view thereof.

See application file for complete search history.

1 Claim, 5 Drawing Sheets



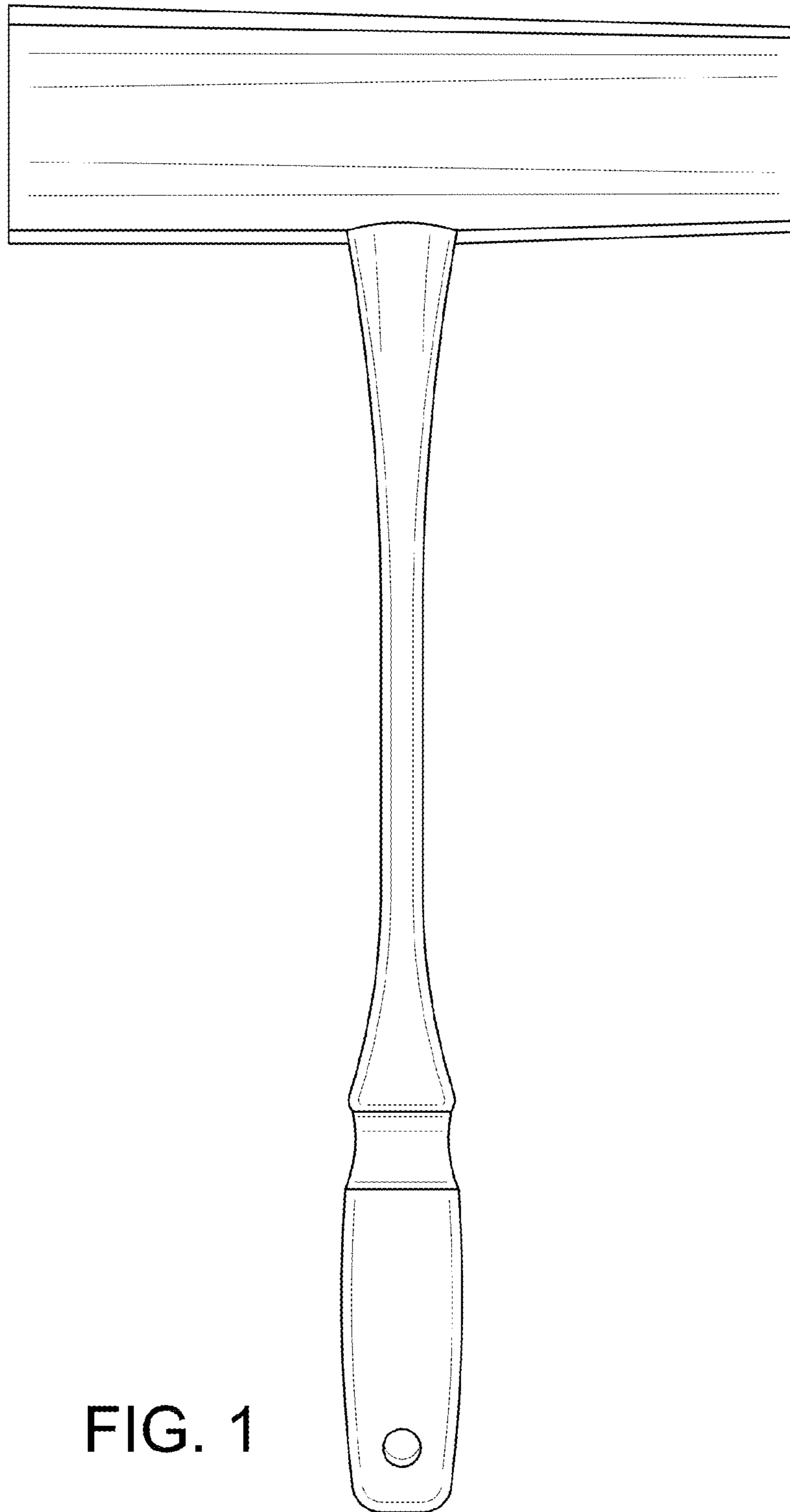


FIG. 1

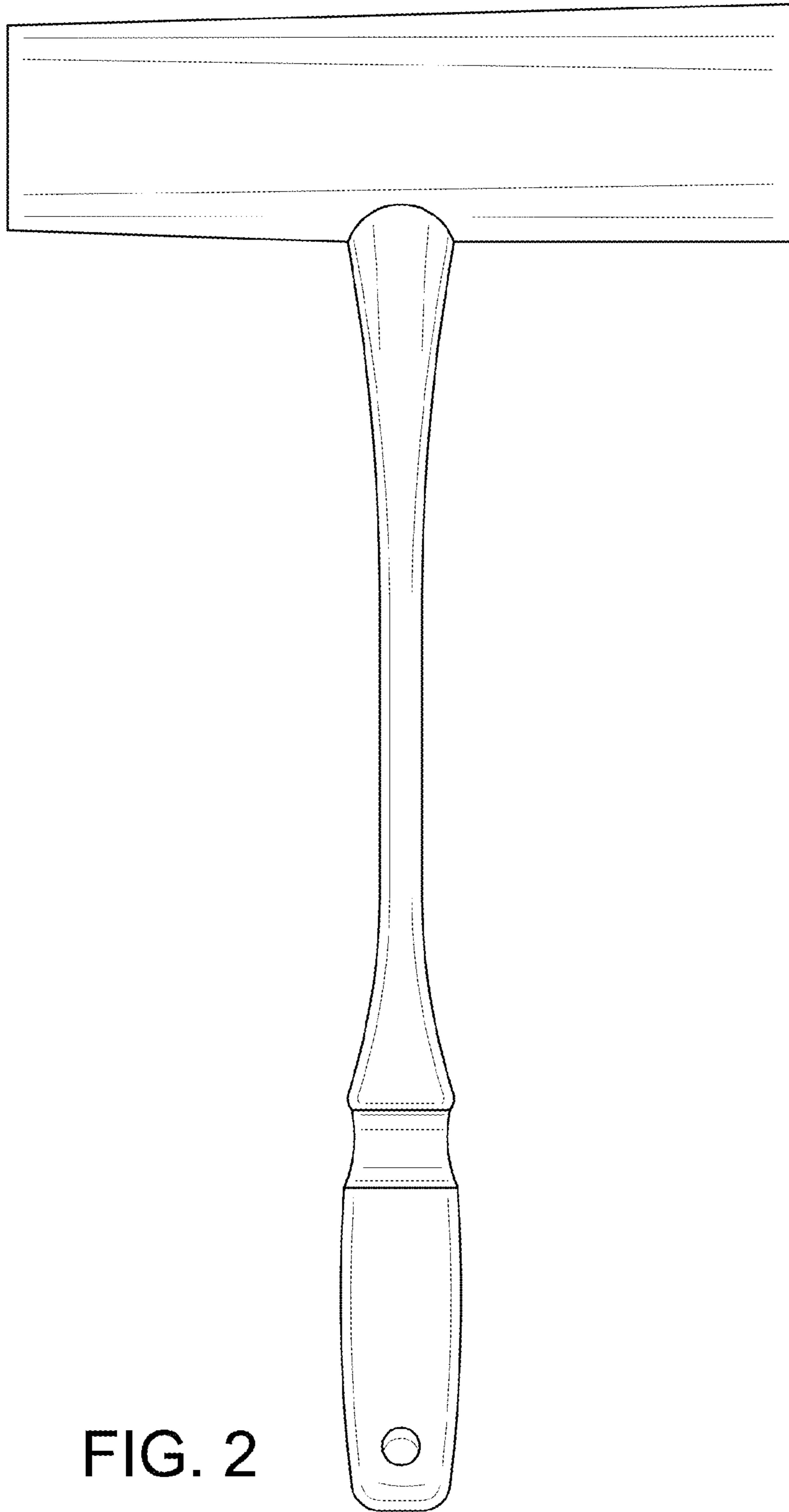


FIG. 2

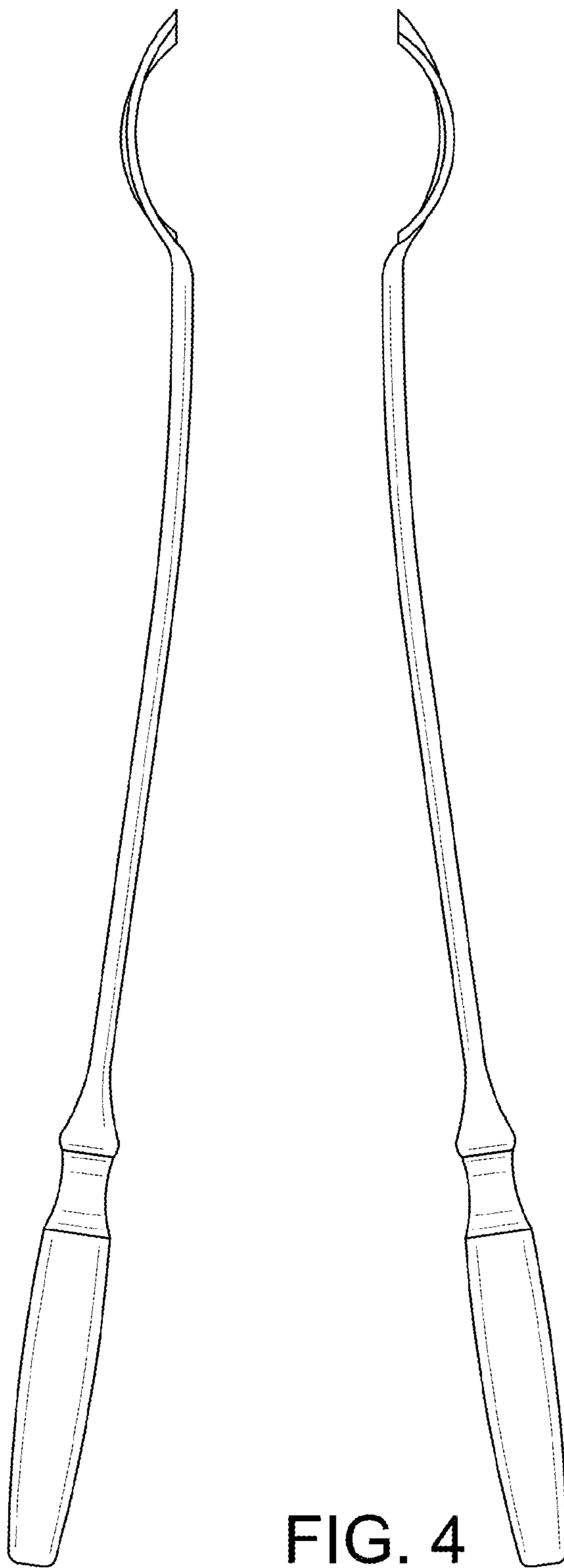


FIG. 3

FIG. 4

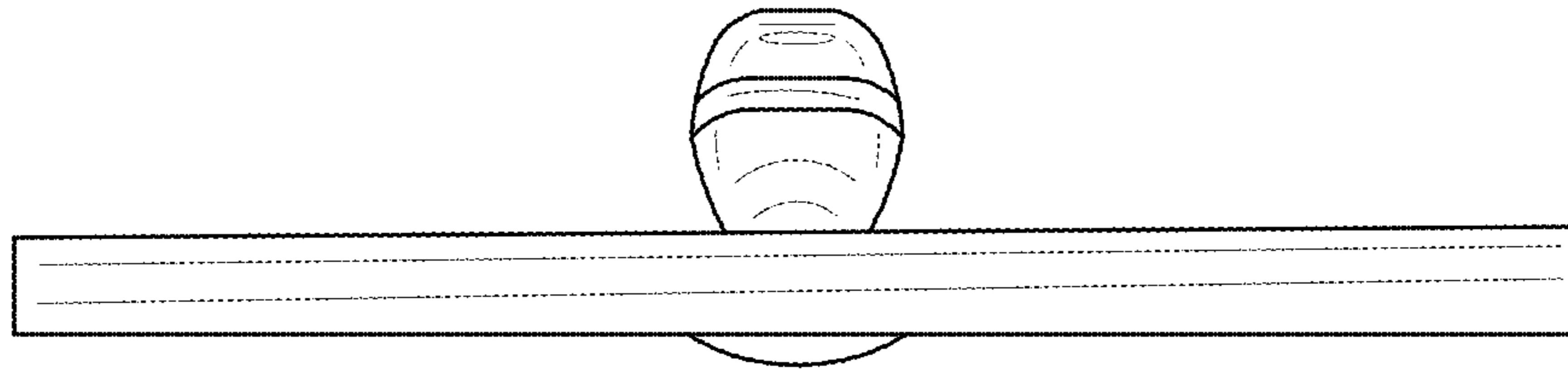


FIG. 5

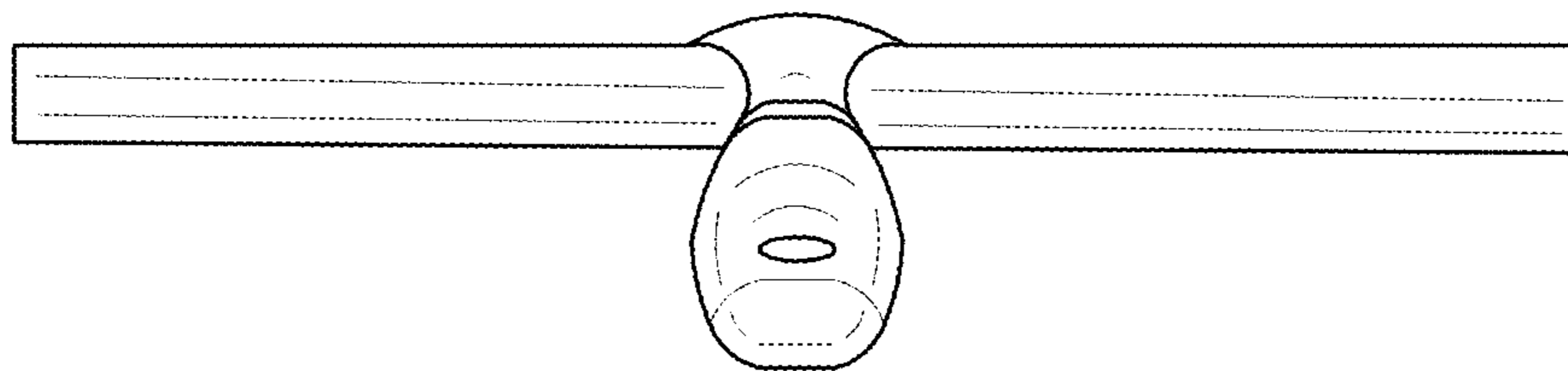


FIG. 6

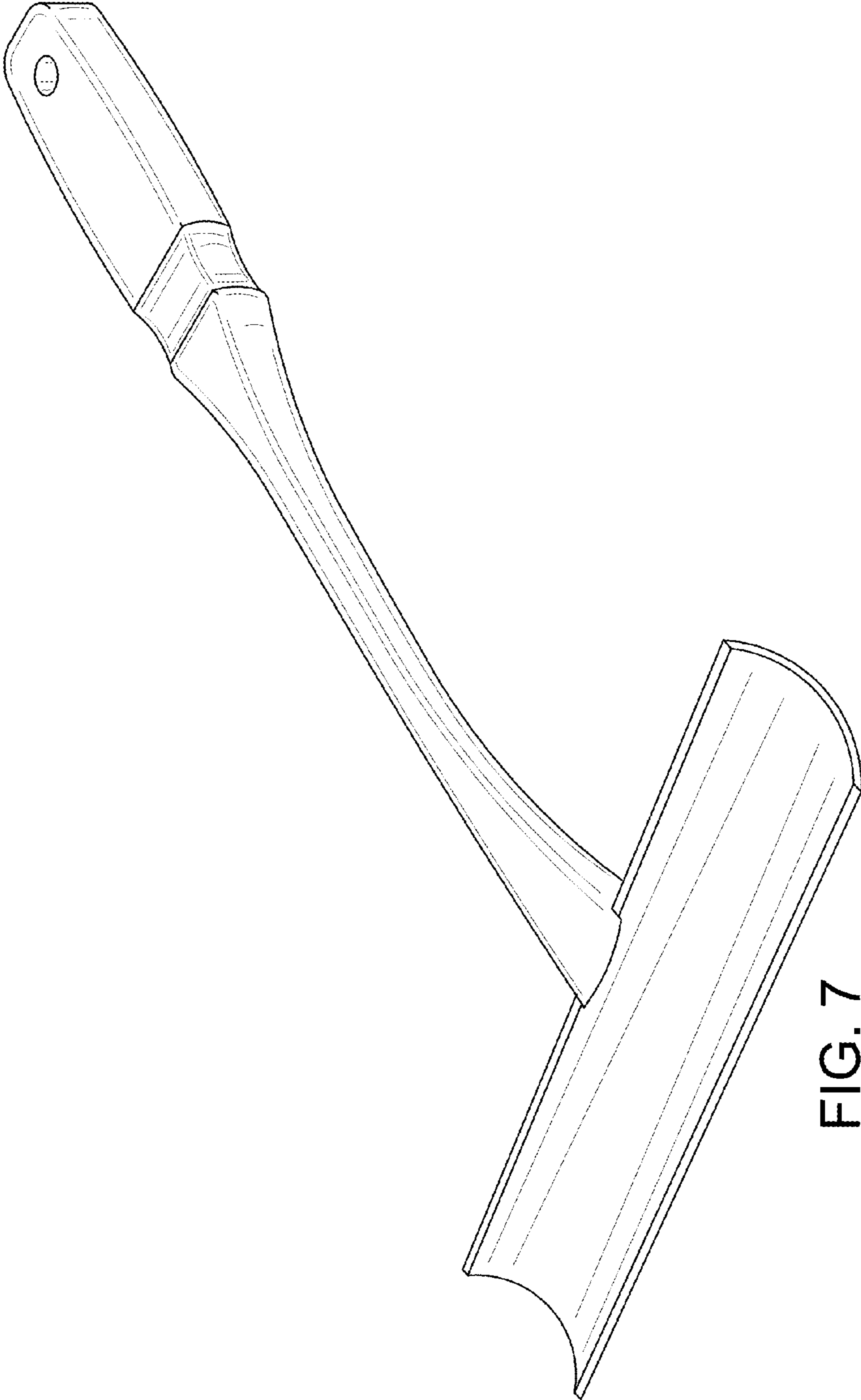


FIG. 7