



US00D711198S

(12) **United States Design Patent**
Cline et al.

(10) **Patent No.:** **US D711,198 S**
(45) **Date of Patent:** **** Aug. 19, 2014**

(54) **FRUIT CUTTER**

(76) Inventors: **Carrie Cline**, Milford, CT (US);
Cynthia Mockler, North Haven, CT
(US); **Ricardo Perez**, Broad Brook, CT
(US)

(**) Term: **14 Years**

(21) Appl. No.: **29/425,760**

(22) Filed: **Jun. 27, 2012**

(51) **LOC (10) CI.** **07-04**

(52) **U.S. Cl.**

USPC **D7/675**

(58) **Field of Classification Search**

USPC D7/323, 350.2, 354, 368, 381, 412,
D7/672-678, 693, 695, 371, 372, 376, 383,
D7/669, 683; 241/100, 95, 168, 169,
241/273.1-274, 285.2, 93, 101.1, 101.2;
30/92-95, 113.1, 114, 123.5, 124, 130,
30/165, 247, 279.6, 278, 279.2, 280, 283,
30/286, 287-291, 299, 301-306, 312,
30/314-316, 320, 321, 337, 340, 355,
30/389-391; 83/13, 87, 167, 404.3, 425.3,
83/431, 435.15, 436.2, 436.7, 437.7,
83/441.1, 451, 569, 581.1, 662, 669, 697,
83/698.11, 699.51, 699.61, 717, 837, 856,
83/857, 858, 874, 906, 932; 99/509, 537,
99/538, 547, 552, 556; 249/135, 66.1,
249/117, 119, 122-127, 155-156, 160,
249/169; D9/600, 414, 430, 434, 456, 745,
D9/756, 761; D21/363, 470, 472

See application file for complete search history.

(56) **References Cited**

U.S. PATENT DOCUMENTS

D32,756 S * 5/1900 Hubert D7/359

1,267,478 A * 5/1918 Thomas 30/306
1,957,319 A * 5/1934 Carlson 30/316
2,797,653 A * 7/1957 Rade 425/292
D274,592 S * 7/1984 Bever D7/675

(Continued)

OTHER PUBLICATIONS

The Cupcake Avenger, [online], published on Jan. 21, 2011, retrieved on Apr. 25, 2013. Retrieved from, <URL: <http://thecupcakeavenger.blogspot.com/2011/01/and-winner-is.html>>, 1 page.*

(Continued)

Primary Examiner — Ian Simmons
Assistant Examiner — Shannon Morgan

(57) **CLAIM**

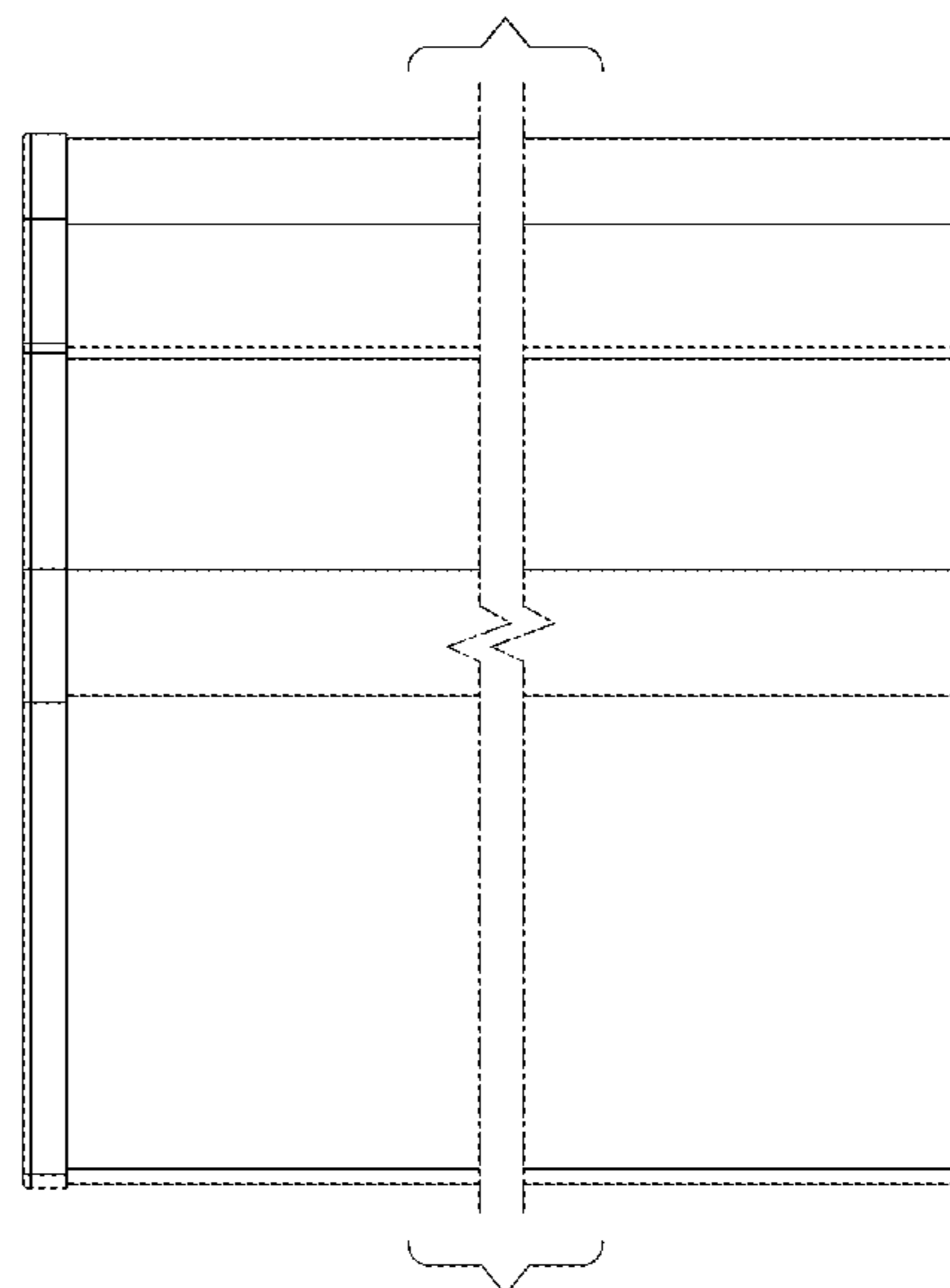
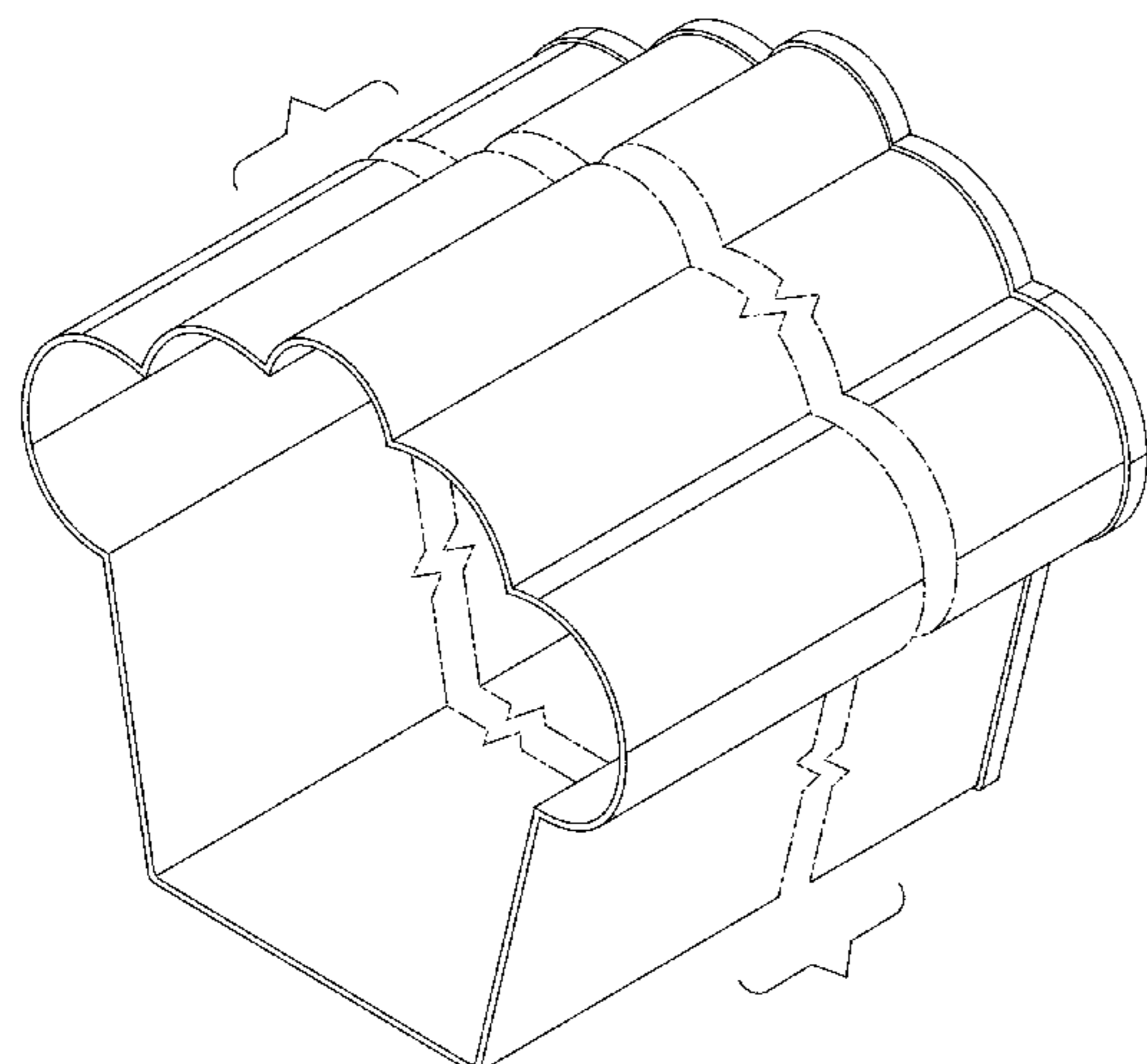
The ornamental design for a fruit cutter, as shown and described.

DESCRIPTION

FIG. 1 is a top, front perspective view of the fruit cutter showing our new design;
FIG. 2 is a top plan view thereof;
FIG. 3 is a right elevational view thereof, the left elevational view being an identical mirror image thereof;
FIG. 4 is a front elevational view thereof;
FIG. 5 is a rear elevational view thereof; and,
FIG. 6 is a bottom view thereof.

The fruit cutter is shown broken in the middle along the length to indicate indeterminate length, with the understanding that the “indeterminate” length portion of the fruit cutter not shown forms no part of the claimed design, patentability is based only on those portions of the article that are shown in solid lines.

1 Claim, 6 Drawing Sheets



(56)

References Cited

U.S. PATENT DOCUMENTS

D282,893	S	*	3/1986	Daenen	D7/676
D341,057	S	*	11/1993	Lundberg et al.	D7/359
5,983,503	A	*	11/1999	DiMaulo	30/114
6,013,300	A	*	1/2000	Reichkitzer et al.	426/552
6,058,610	A	*	5/2000	Leang	30/316
D428,574	S	*	7/2000	Harkness	D9/430
D481,914	S	*	11/2003	Short	D7/675
D487,000	S	*	2/2004	Sarihan	D7/673
D581,224	S	*	11/2008	Vendl	D7/675
D584,579	S	*	1/2009	Vendl	D7/675
D621,204	S	*	8/2010	Henry	D7/354
D662,370	S	*	6/2012	Jowett	D7/675
D671,376	S	*	11/2012	Reiser	D7/669
D672,213	S	*	12/2012	Abrams	D7/675
D675,888	S	*	2/2013	Cline et al.	D7/675
D675,889	S	*	2/2013	Cline et al.	D7/675
D676,290	S	*	2/2013	Cline et al.	D7/675

OTHER PUBLICATIONS

Google image result for cupcake cookie cutter, [online], image uploaded on Apr. 15, 2011, retrieved on Apr. 25, 2013, Retrieved from, <URL: [Google image search for cupcake shaped baking pan, \[online\], image uploaded Dec. 6, 2007, retrieved on Apr. 25, 2013. Retrieved from, <URL:\[* cited by examiner\]\(http://www.google.com/imgres?q=gently+remove+dough+from+cookie+cutter+and+place+it+on+a+baking+pan&um=1&safe=active&rls=com.microsoft:en-us:IE-SearchBox&hl=en&biw=1280&bih=742&tbm=. . . >, 1 page.*</p>
</div>
<div data-bbox=\)](http://www.google.com/imgres?q=muffin+shaped+fruit+cutter&start=483&um=1&safe=active&sa=N&rls=com.microsoft:en-us:IE-SearchBox&hl=en&biw=1280&bih=742&tbm=isch&tbnid=okIEV-V1RGBGCM:&i...>, 1 page.*</p>
</div>
<div data-bbox=)

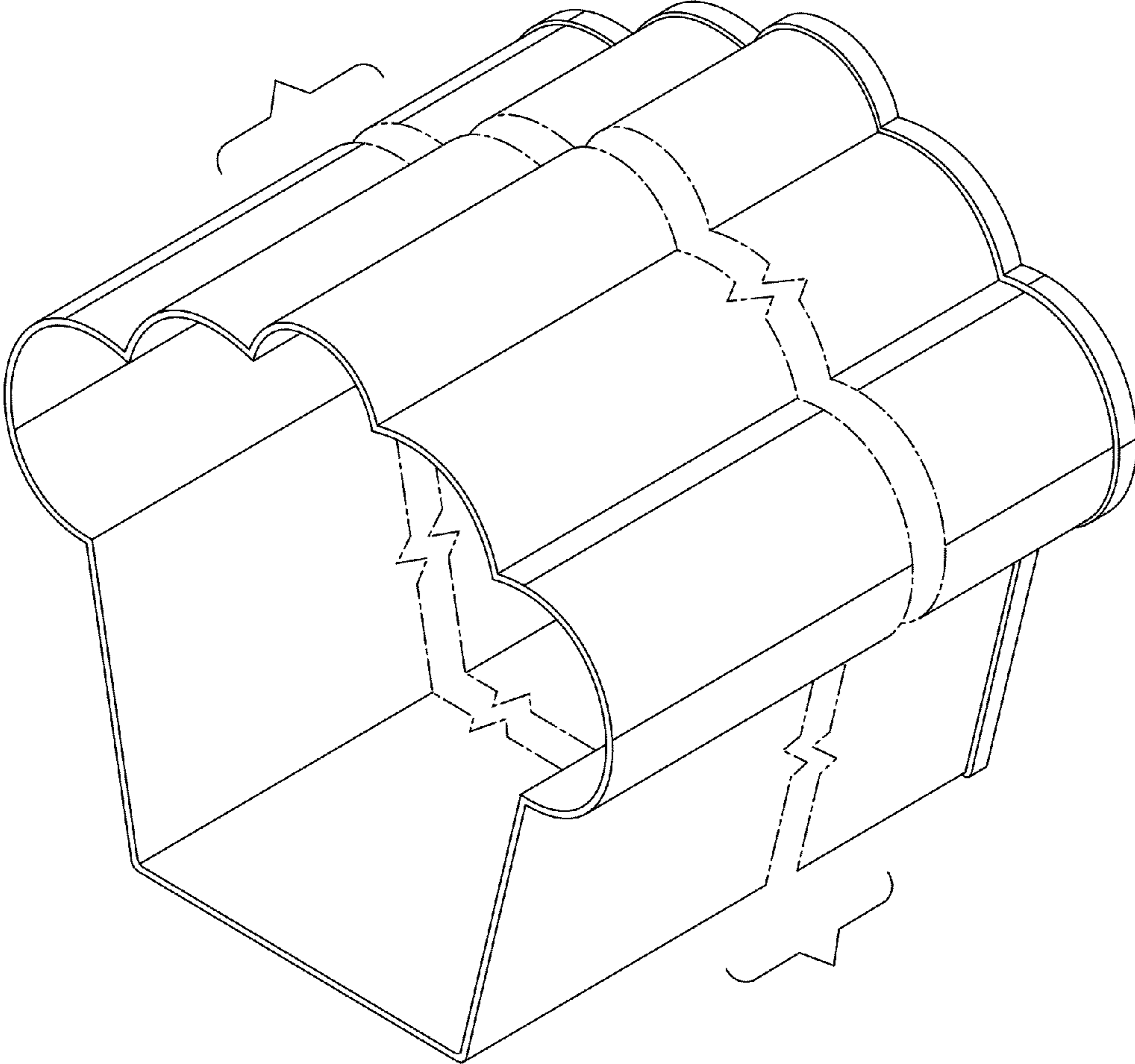


FIG. 1

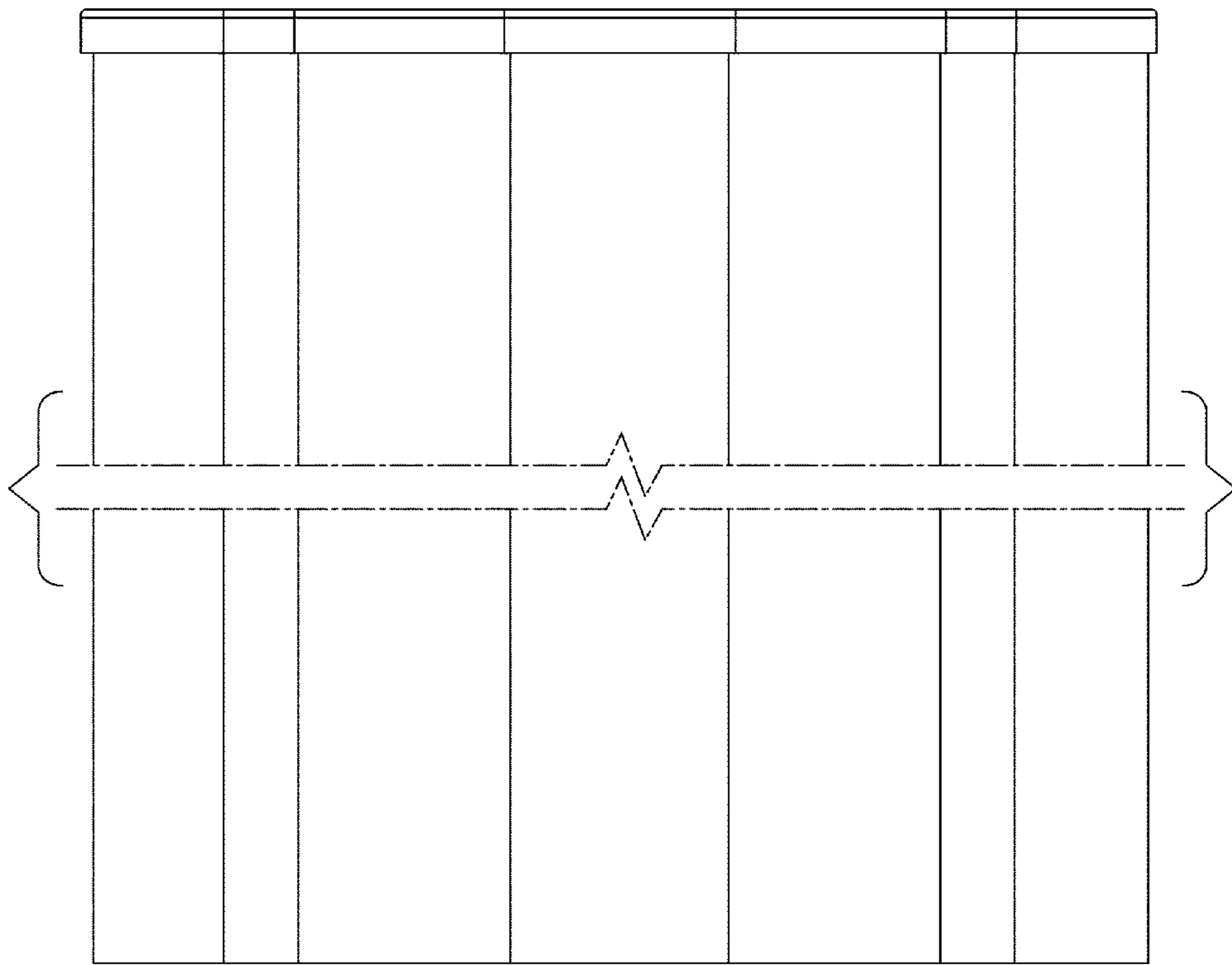


FIG. 2

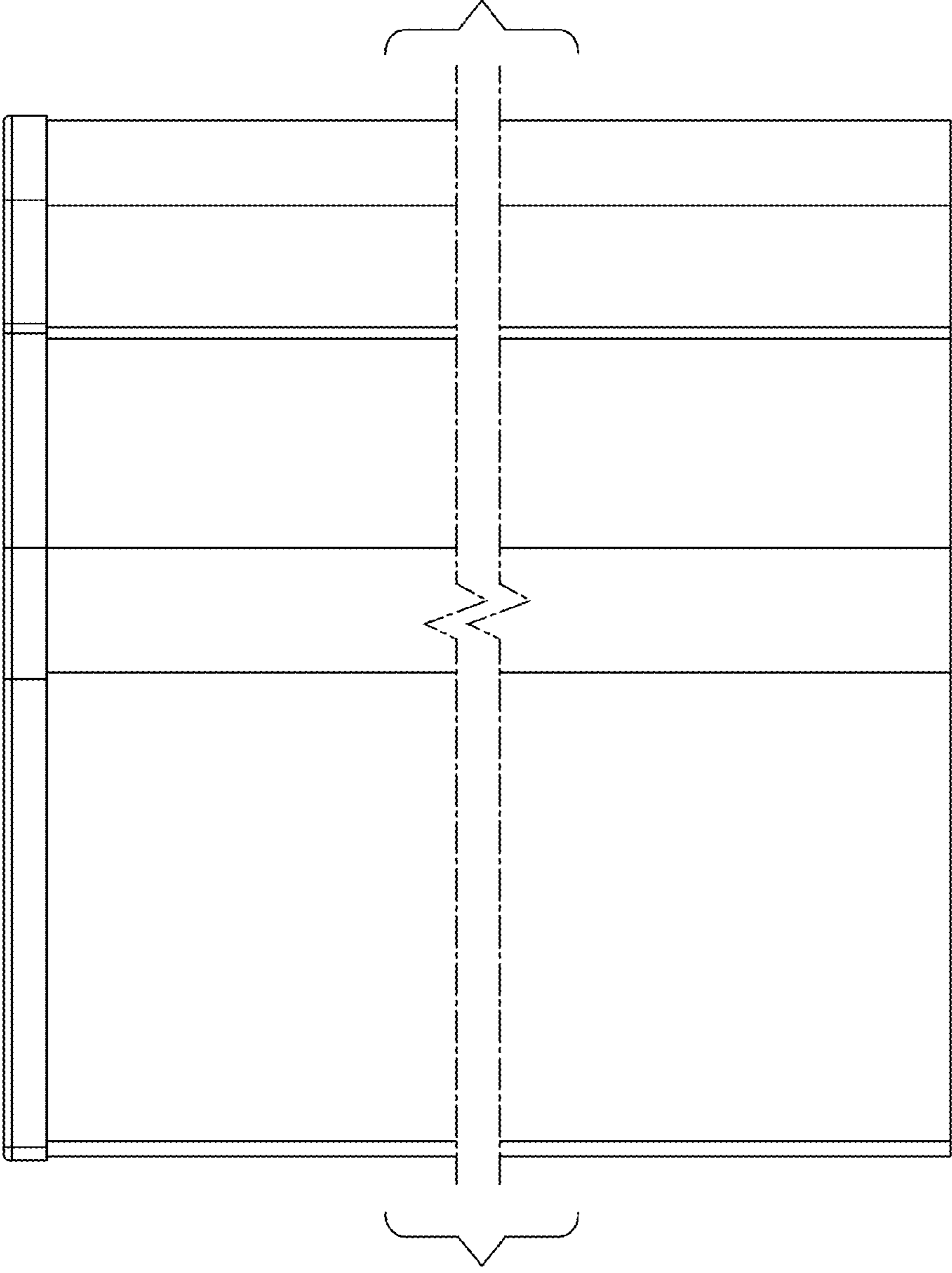


FIG. 3



FIG. 4



FIG. 5

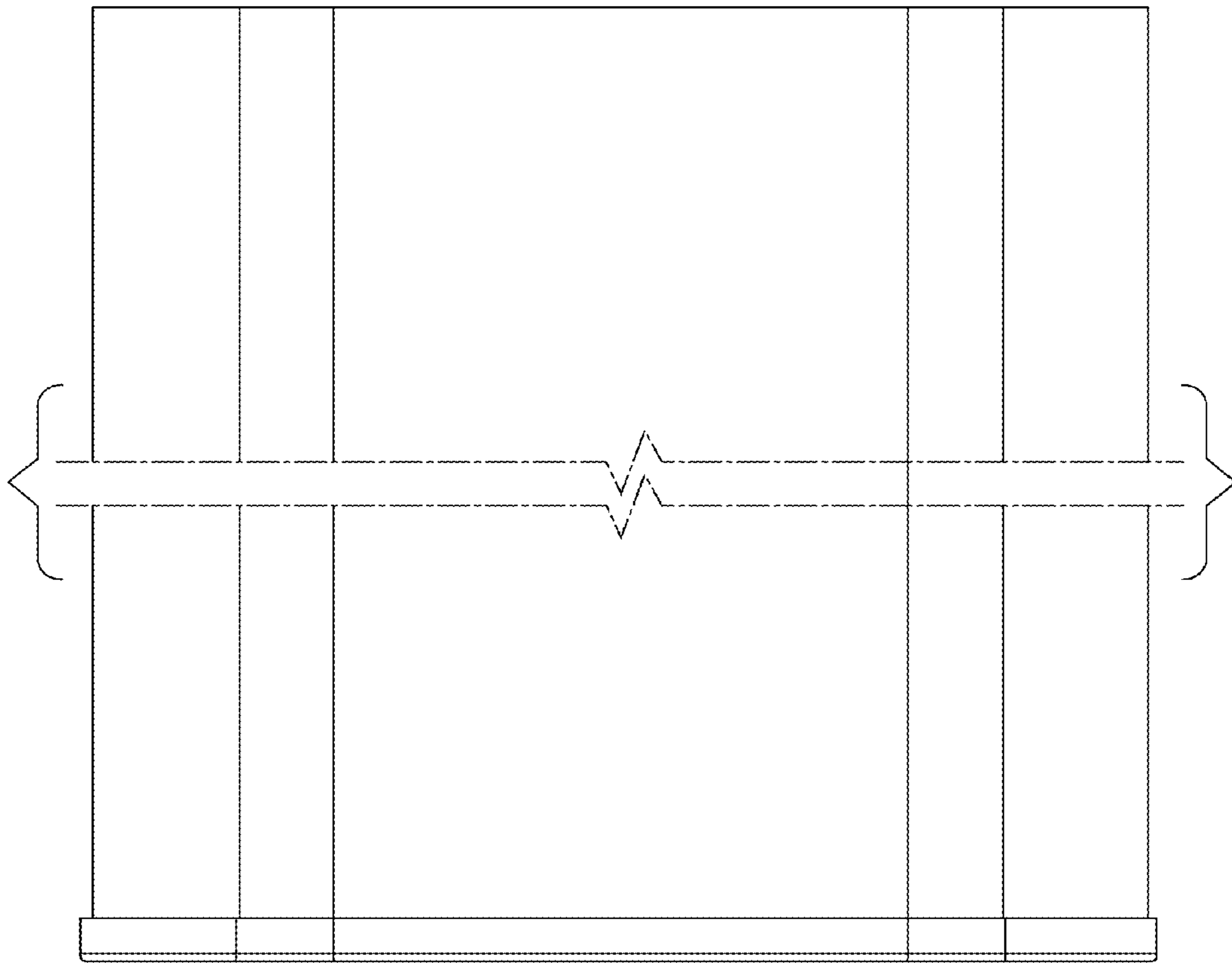


FIG. 6