



US00D711197S

(12) **United States Design Patent**
Catania

(10) **Patent No.:** **US D711,197 S**

(45) **Date of Patent:** **** Aug. 19, 2014**

(54) **DEVICE TO BREAK DRIED PASTA**

(74) *Attorney, Agent, or Firm* — Hoffmann & Baron, LLP

(71) Applicant: **George J. Catania**, Babylon, NY (US)

(57) **CLAIM**

The ornamental design for the device to break dried pasta, as shown and described.

(72) Inventor: **George J. Catania**, Babylon, NY (US)

(**) Term: **14 Years**

DESCRIPTION

(21) Appl. No.: **29/449,693**

FIG. 1 is a top perspective view of the device to break dried pasta according to a first embodiment;

(22) Filed: **Mar. 15, 2013**

FIG. 2 is a front elevational view of FIG. 1;

(51) **LOC (10) Cl.** **07-04**

FIG. 3 is a top elevational view of FIG. 1;

(52) **U.S. Cl.**

FIG. 4 is a bottom elevational view of FIG. 1;

USPC **D7/669**

FIG. 5 is a bottom perspective view of FIG. 4;

(58) **Field of Classification Search**

FIG. 6 is a top perspective view of the device to break dried pasta according to a second embodiment;

CPC **A47K 10/38**

FIG. 7 is a front elevational view of FIG. 6;

USPC **D7/368, 387, 669, 591-598; 225/103,**

FIG. 8 is a top elevational view of FIG. 6;

225/71; D9/549-563, 574, 575

FIG. 9 is a bottom elevational view of FIG. 6; and,

See application file for complete search history.

FIG. 10 is a bottom perspective view of FIG. 9.

(56) **References Cited**

The ornamental design that is claimed is shown in solid lines in the drawings. The portions of the device to break dried pasta in broken lines are shown for illustrative purposes only and form no part of the ornamental design that is claimed. The separation of the device to break dried pasta by a curly bracket indicates indeterminate height.

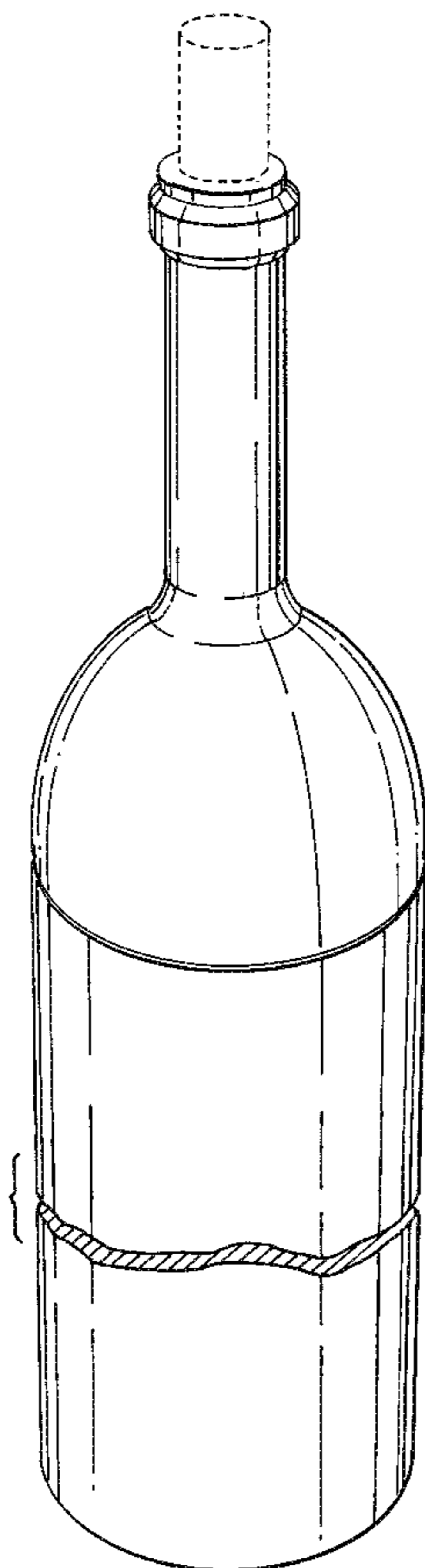
U.S. PATENT DOCUMENTS

6,244,487 B1 * 6/2001 Murray 225/93

* cited by examiner

Primary Examiner — Terry Wallace

1 Claim, 4 Drawing Sheets



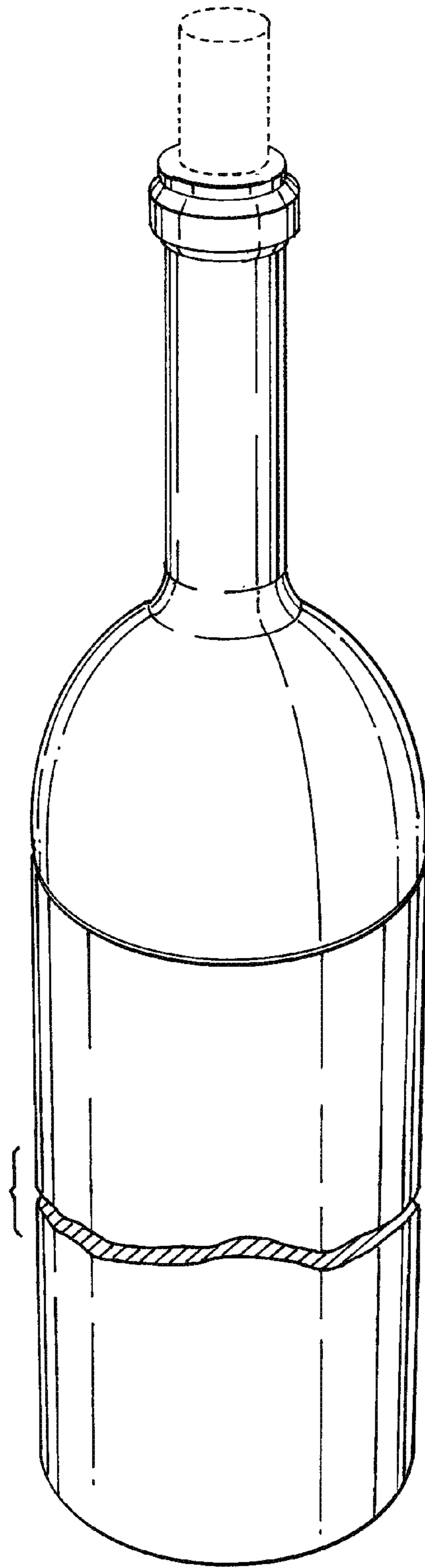


Fig. 1

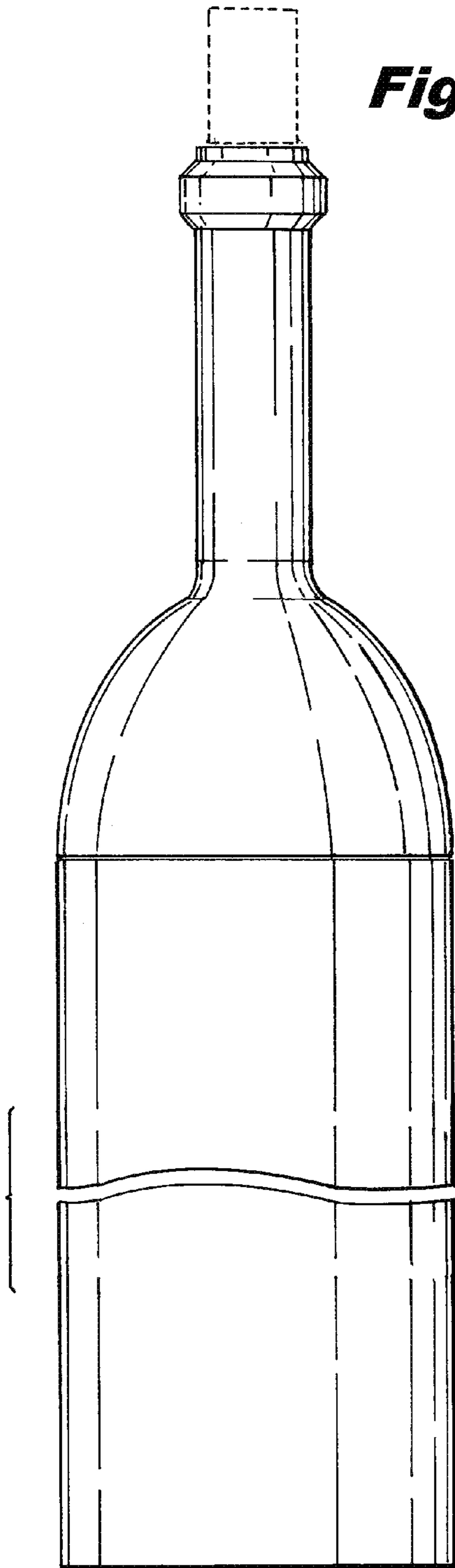


Fig. 2

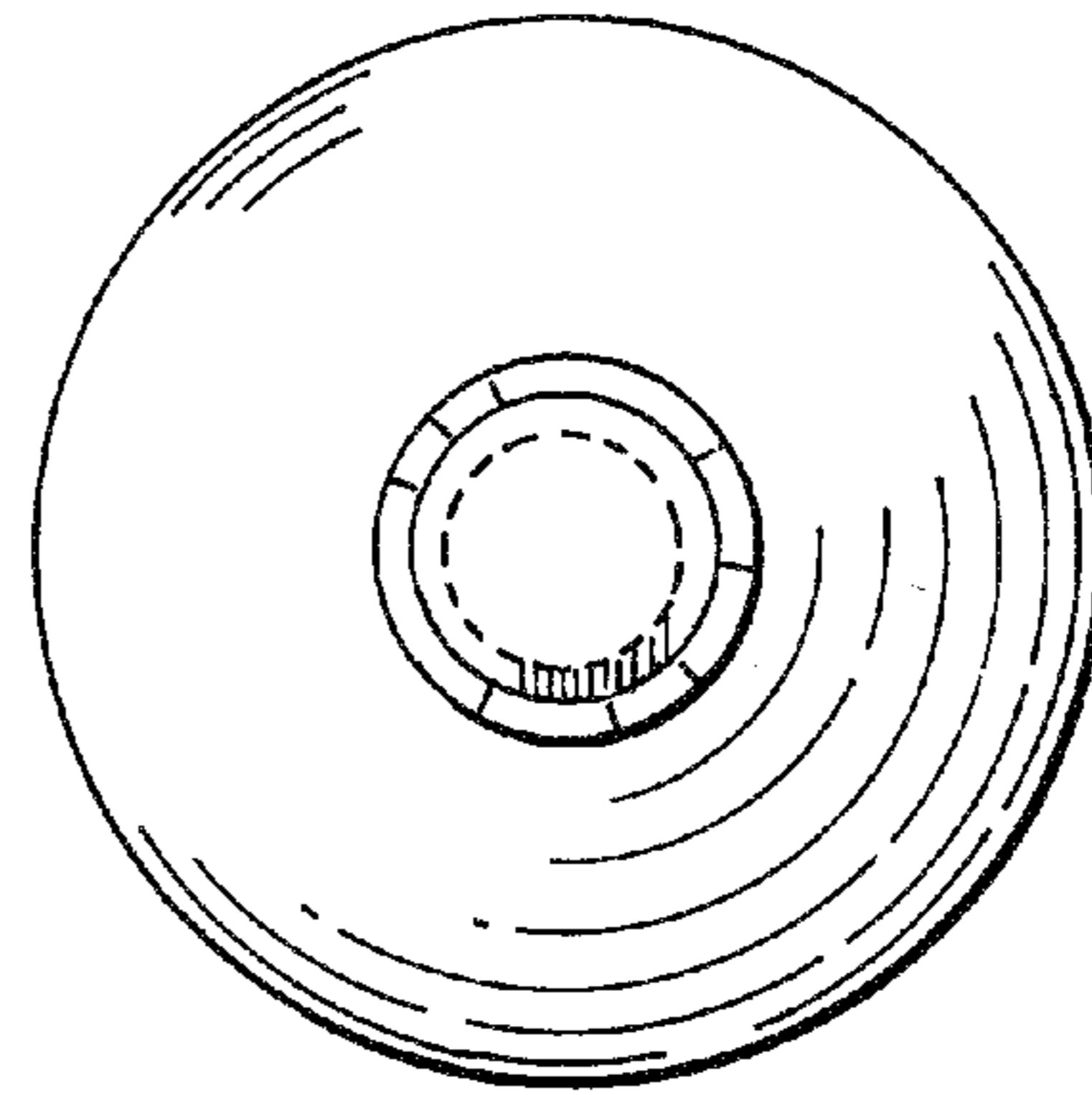


Fig. 3

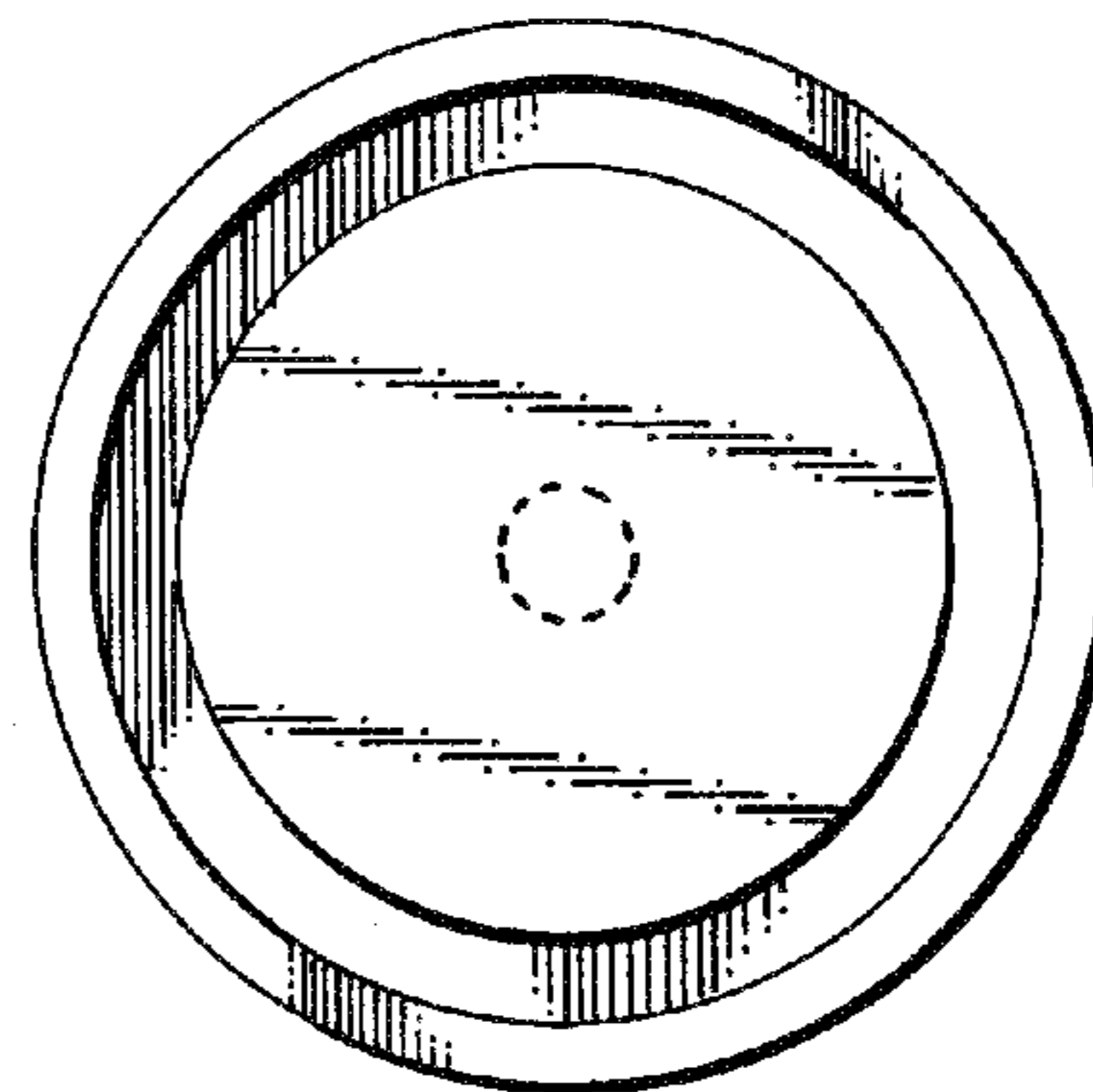


Fig. 4

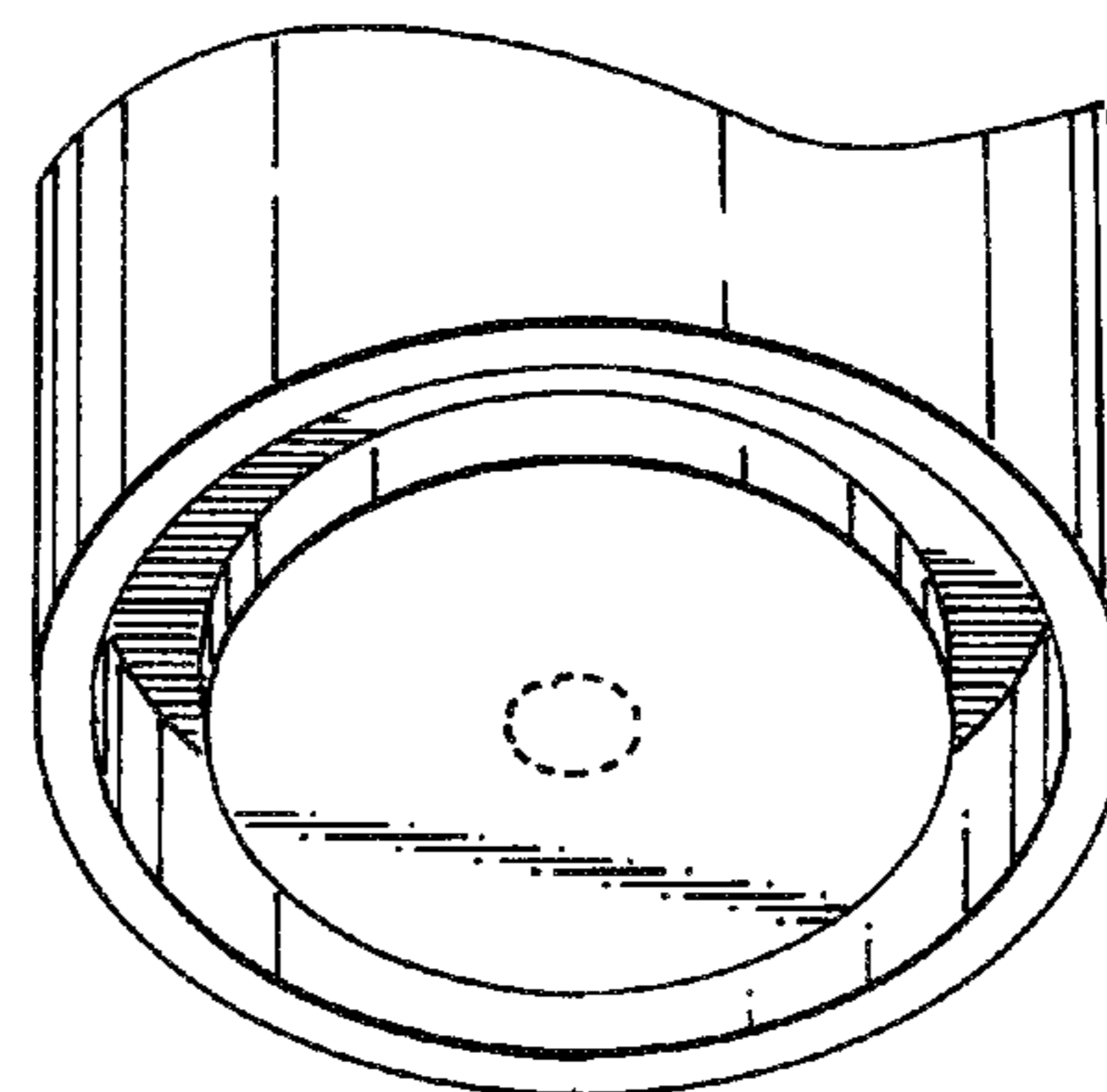
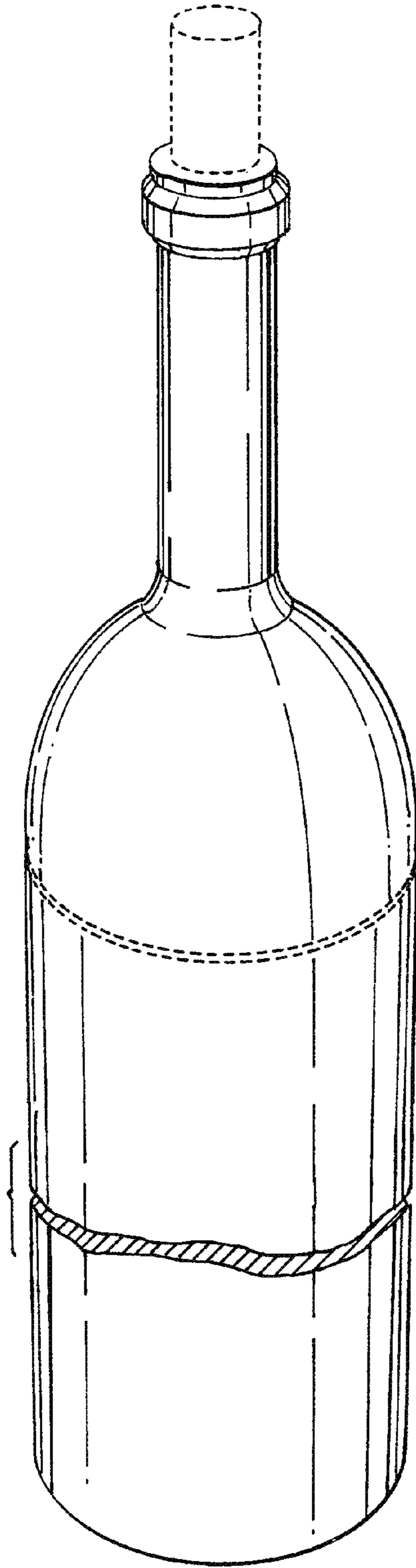


Fig. 5

Fig. 6



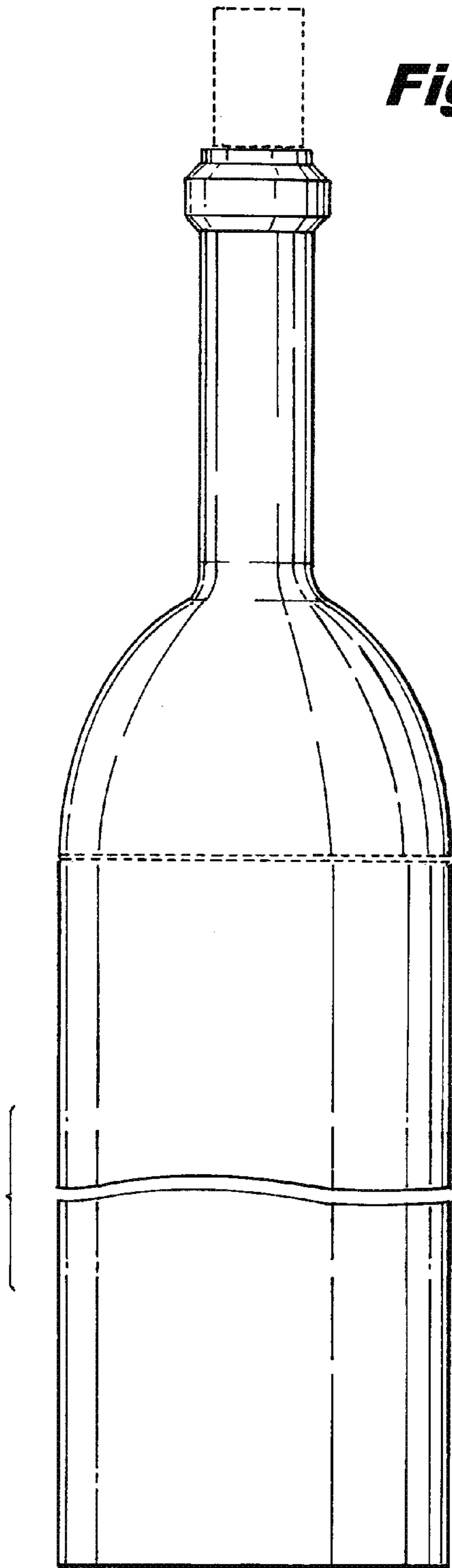


Fig. 7

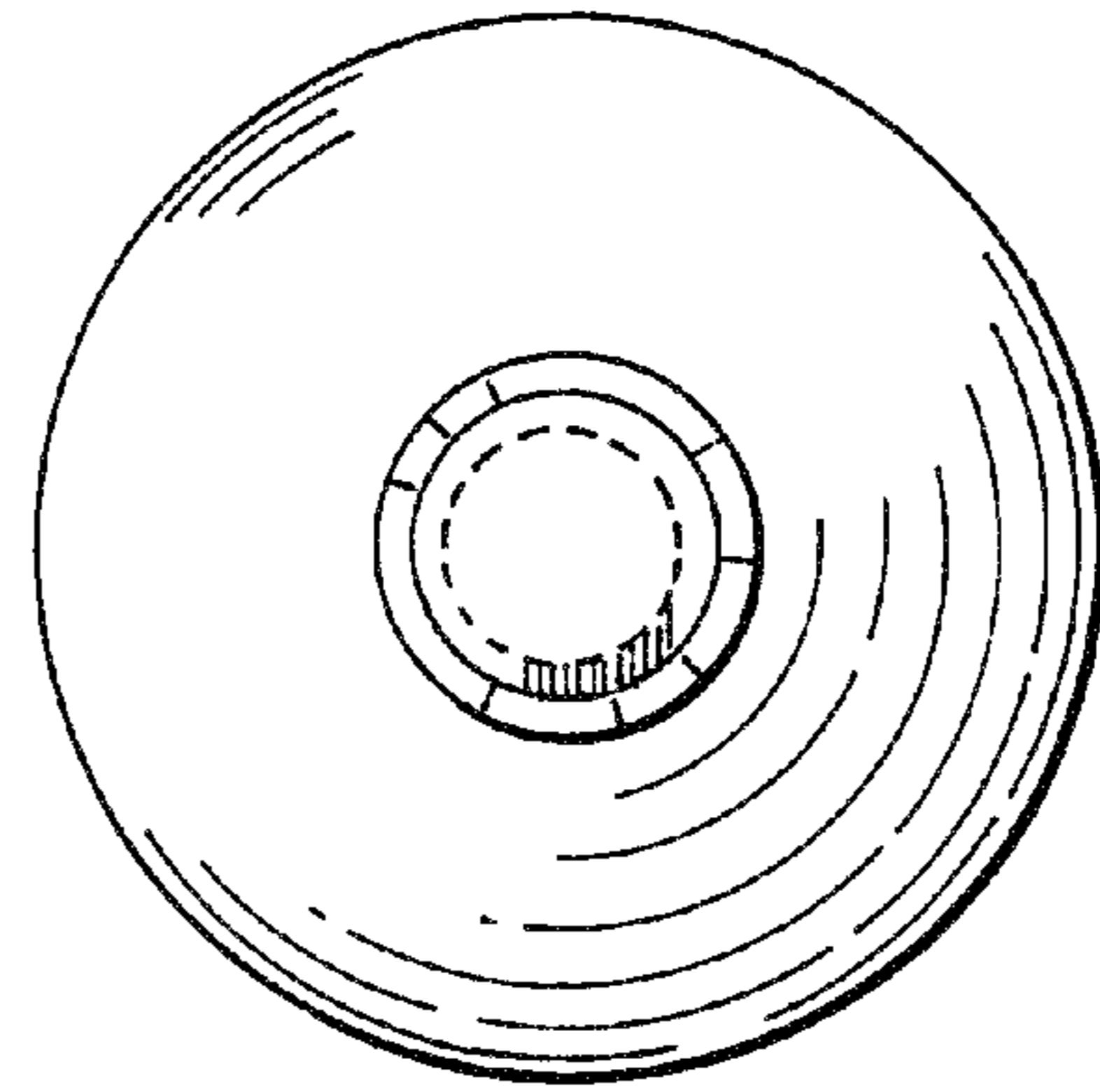


Fig. 8

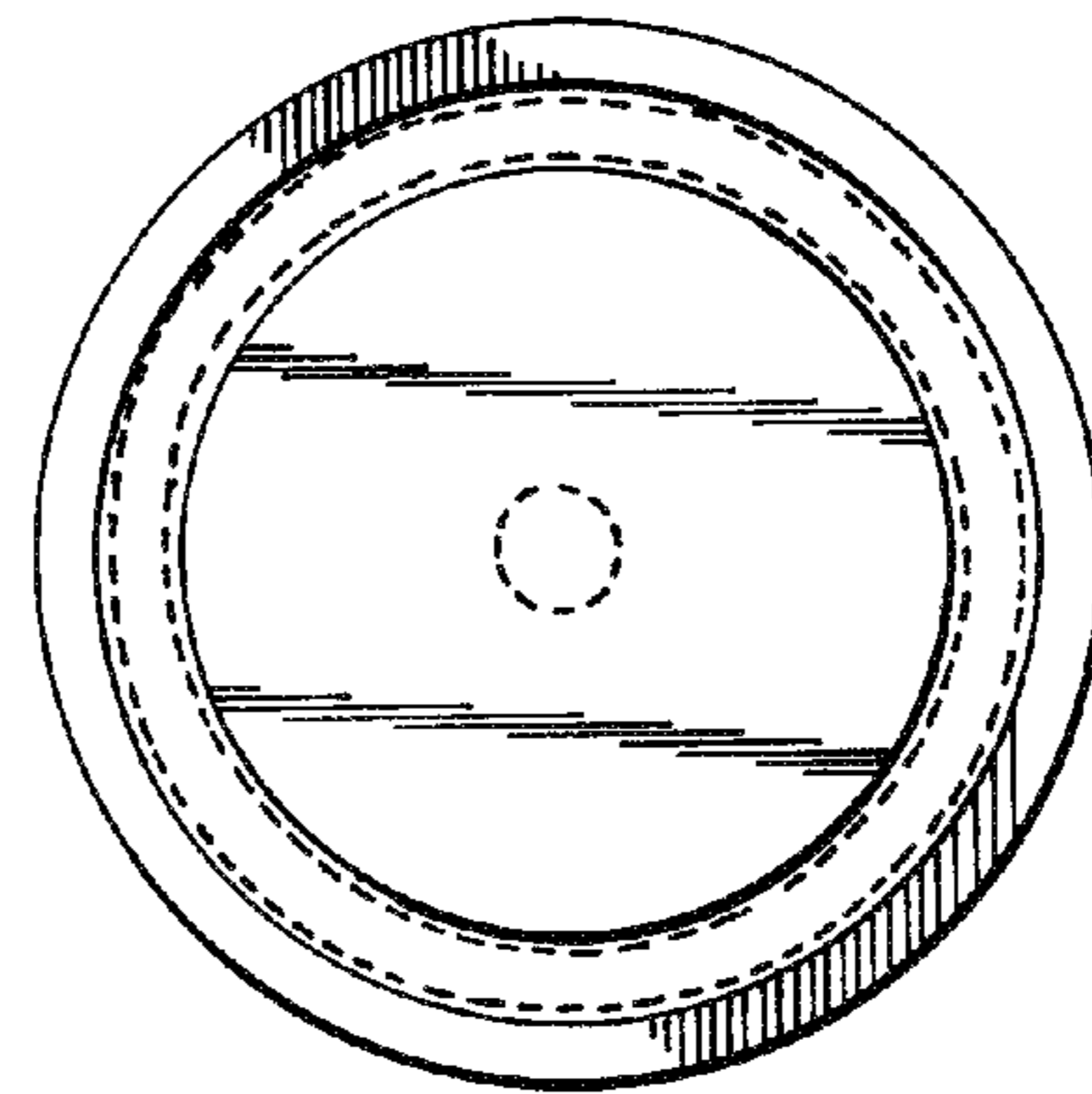


Fig. 9

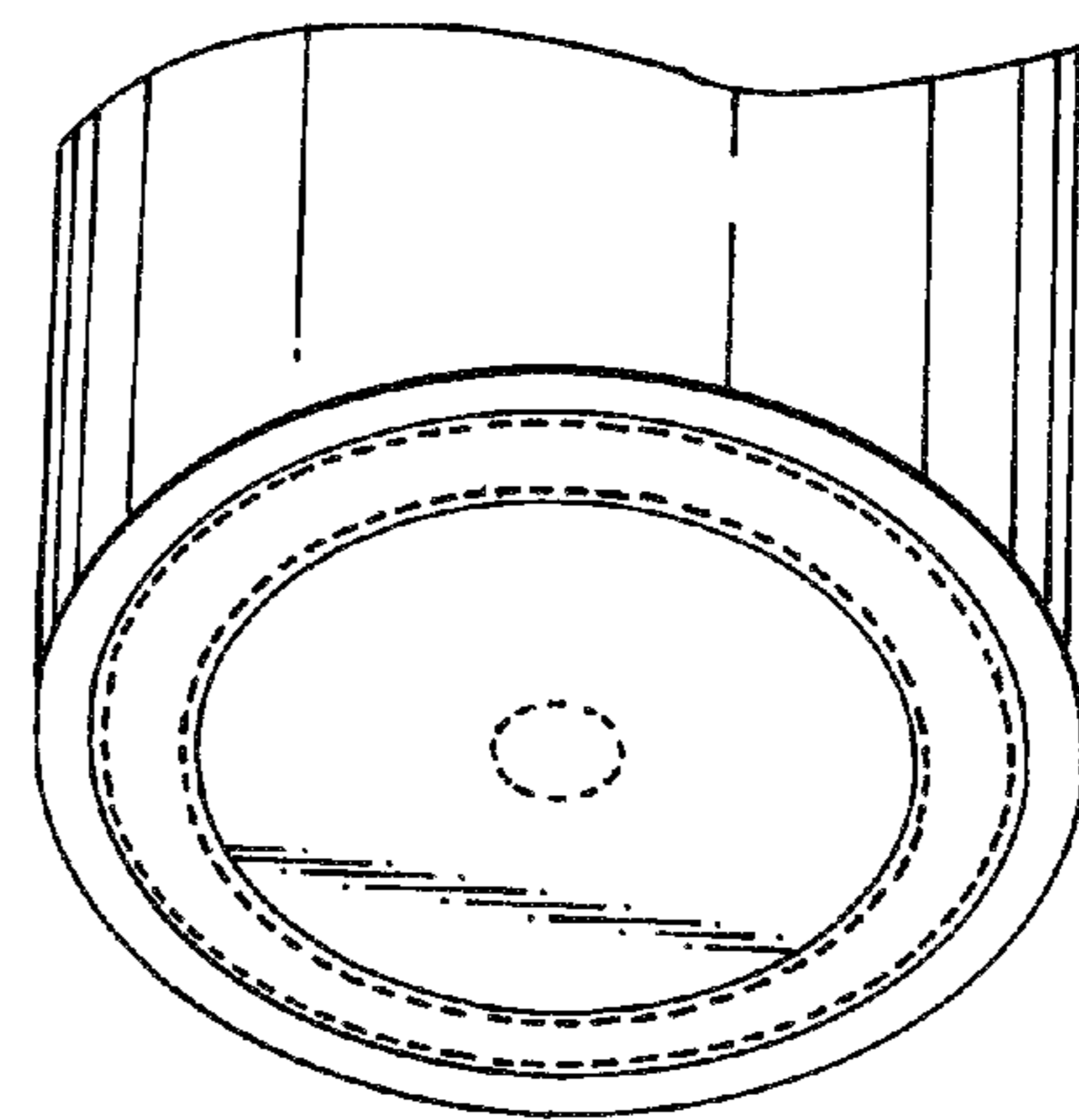


Fig. 10