



US00D711196S

(12) **United States Design Patent**
May et al.

(10) **Patent No.:** **US D711,196 S**

(45) **Date of Patent:** **** Aug. 19, 2014**

(54) **DRAWER STORE**

(75) Inventors: **Ashley May**, Great Abington (GB);
David Evans, Great Abington (GB)

(73) Assignee: **Joseph Joseph Ltd.**, London (GB)

(**) Term: **14 Years**

(21) Appl. No.: **29/431,902**

(22) Filed: **Sep. 12, 2012**

(30) **Foreign Application Priority Data**

Jun. 8, 2012 (EM) 002054924-0005

(51) **LOC (10) Cl.** **07-99**

(52) **U.S. Cl.**

USPC **D7/637**

(58) **Field of Classification Search**

USPC D7/550.1, 551.1, 551.2, 551.3, 552.1,
D7/553.1, 553.2, 553.3, 553.4, 553.5,
D7/553.6, 553.7, 553.8, 554.2, 554.4, 555,
D7/556, 557, 558, 559, 561, 601, 602, 541,
D7/637, 638, 639, 640, 641, 701, 708,
D7/628-632, 620-623; D19/75, 81, 84,
D19/85, 92, 83, 77, 95, 78, 86;
D3/304-315, 901; D6/512, 513, 573,
D6/574, 560, 503; 312/294, 330.1, 348.3,
312/348.5, 348.4, 301, 307, 323, 334.1,
312/334.27, 408, 410, 334.44; 206/6.1,
206/557, 561-564, 566; 211/70.6, 70.7,
211/70.1; 220/23.83; D24/227

See application file for complete search history.

(56) **References Cited**

U.S. PATENT DOCUMENTS

647,388 A * 4/1900 Evans 134/88
D60,340 S * 2/1922 Grier D24/230
D184,075 S * 12/1958 Tupper D7/553.2
D189,489 S * 12/1960 Jackson D6/476

D208,717 S * 9/1967 Parish D7/553.5
D219,240 S * 11/1970 Bridges et al. D7/553.5
D253,628 S * 12/1979 Adamson D7/553.2
D268,317 S * 3/1983 Wyatt, Jr. D7/553.5
D276,201 S * 11/1984 Wolff D7/553.3
5,007,535 A * 4/1991 Meseke et al. 206/366
D327,497 S * 6/1992 Szablak et al. D19/20
D332,553 S * 1/1993 Giugiaro D7/637
D357,034 S * 4/1995 King D19/77
5,468,062 A * 11/1995 Finnegan 312/301

(Continued)

OTHER PUBLICATIONS

Houzz—Drawer store, gray, [online], reviewed on Oct. 2, 2013, retrieved on Oct. 22, 2013. Retrieved from, <URL: <http://www.houzz.com/photos/4746619/Drawer-Store--Gray-modern-cabinet-and-drawer-organizers->>, 1 page.*

(Continued)

Primary Examiner — Ian Simmons

Assistant Examiner — Shannon Morgan

(74) *Attorney, Agent, or Firm* — Millen, White, Zelano & Branigan

(57)

CLAIM

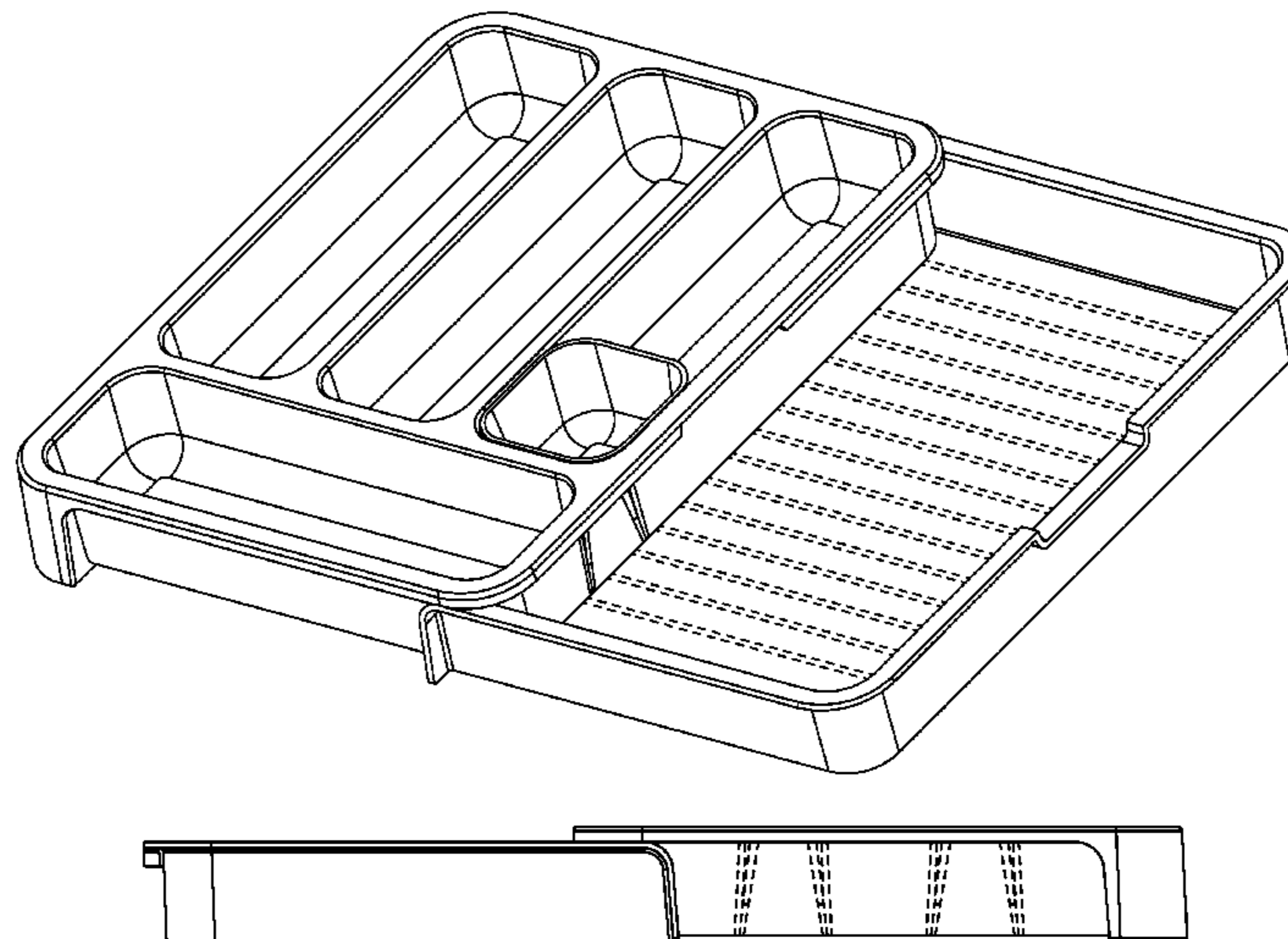
The ornamental design for a drawer store, as shown and described.

DESCRIPTION

FIG. 1 is a top, front perspective view of the drawer store showing our new design;
FIG. 2 is a top elevational view thereof;
FIG. 3 is a bottom plan view thereof;
FIG. 4 is a front elevational view thereof;
FIG. 5 is a rear elevational view thereof;
FIG. 6 is a right elevational view thereof; and,
FIG. 7 is a left elevational thereof.

The broken lines in FIGS. 1-3, and 5 of the drawer store are for the purpose of illustrating environment, and form no part of the claimed design.

1 Claim, 7 Drawing Sheets



(56)

References Cited

U.S. PATENT DOCUMENTS

D439,113 S * 3/2001 Claffy et al. D7/553.1
D440,118 S * 4/2001 Claffy et al. D7/553.1
D503,574 S * 4/2005 Yao D6/510
D527,229 S * 8/2006 Joy D7/637
D600,504 S * 9/2009 Clark D7/553.5
8,376,177 B2 * 2/2013 Castner et al. 220/526
2003/0006156 A1 * 1/2003 McCracken et al. 206/373
2010/0224531 A1 * 9/2010 Claffy 206/561

2010/0282635 A1* 11/2010 Murphy 206/561
2011/0084584 A1* 4/2011 Curtin 312/348.3
2011/0226661 A1* 9/2011 Boubeddi et al. 206/561

OTHER PUBLICATIONS

Drawer Store Organizer, [online], retrieved on Oct. 22, 2013.
Retrieved from, <URL: <http://www.amara.com/products/drawer-store-organiser-white-green>>, 1 page.*

* cited by examiner

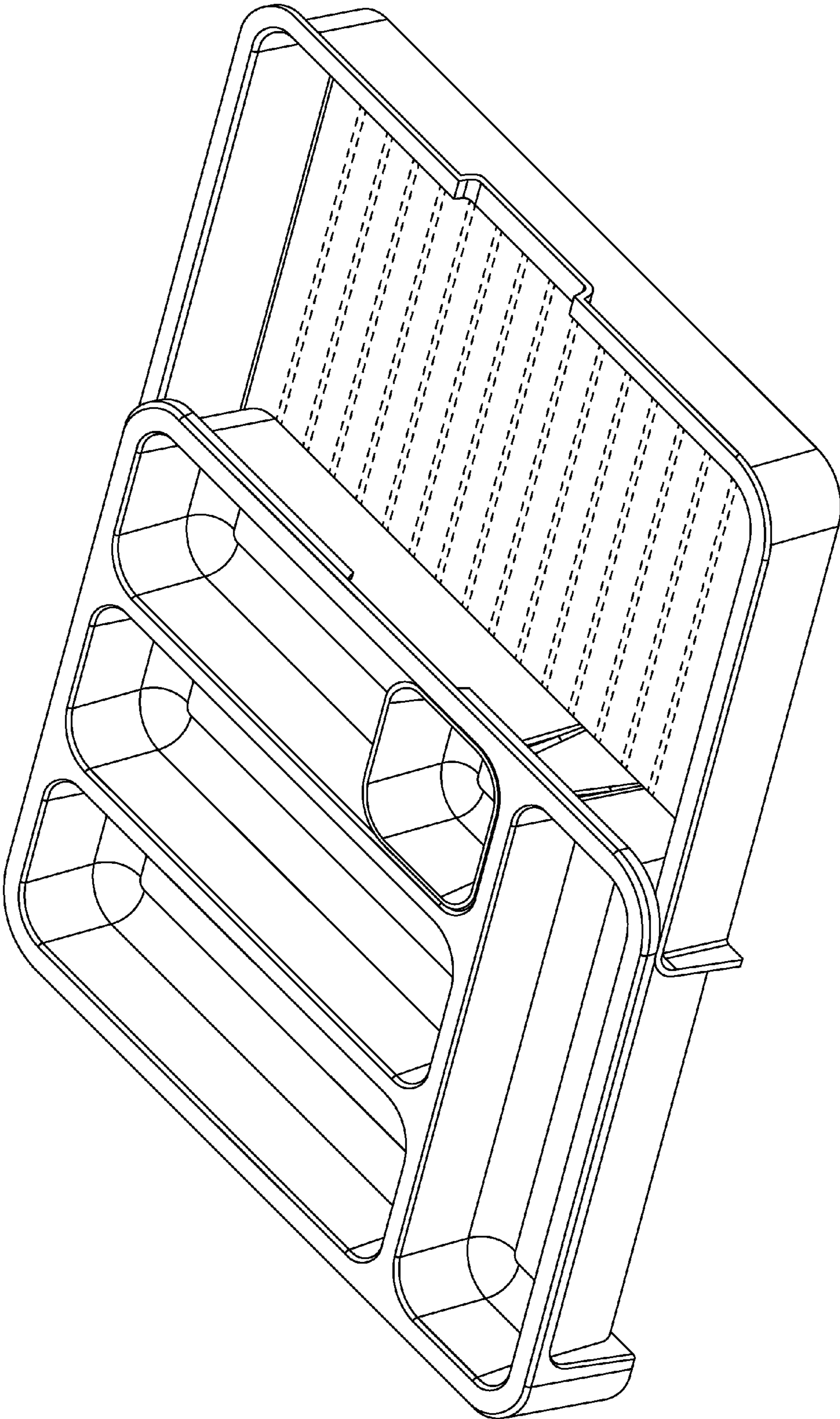


Fig.1

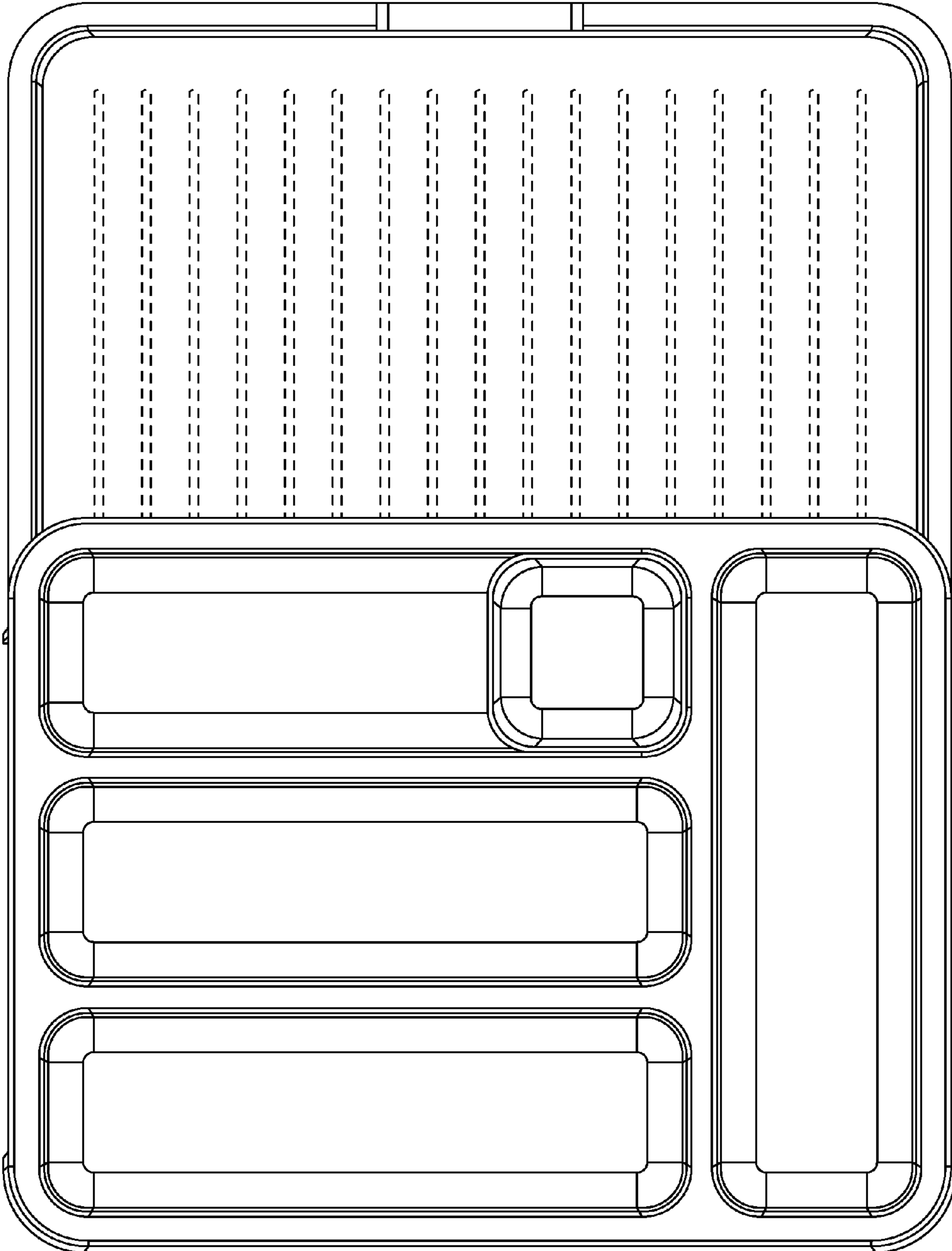


Fig.2

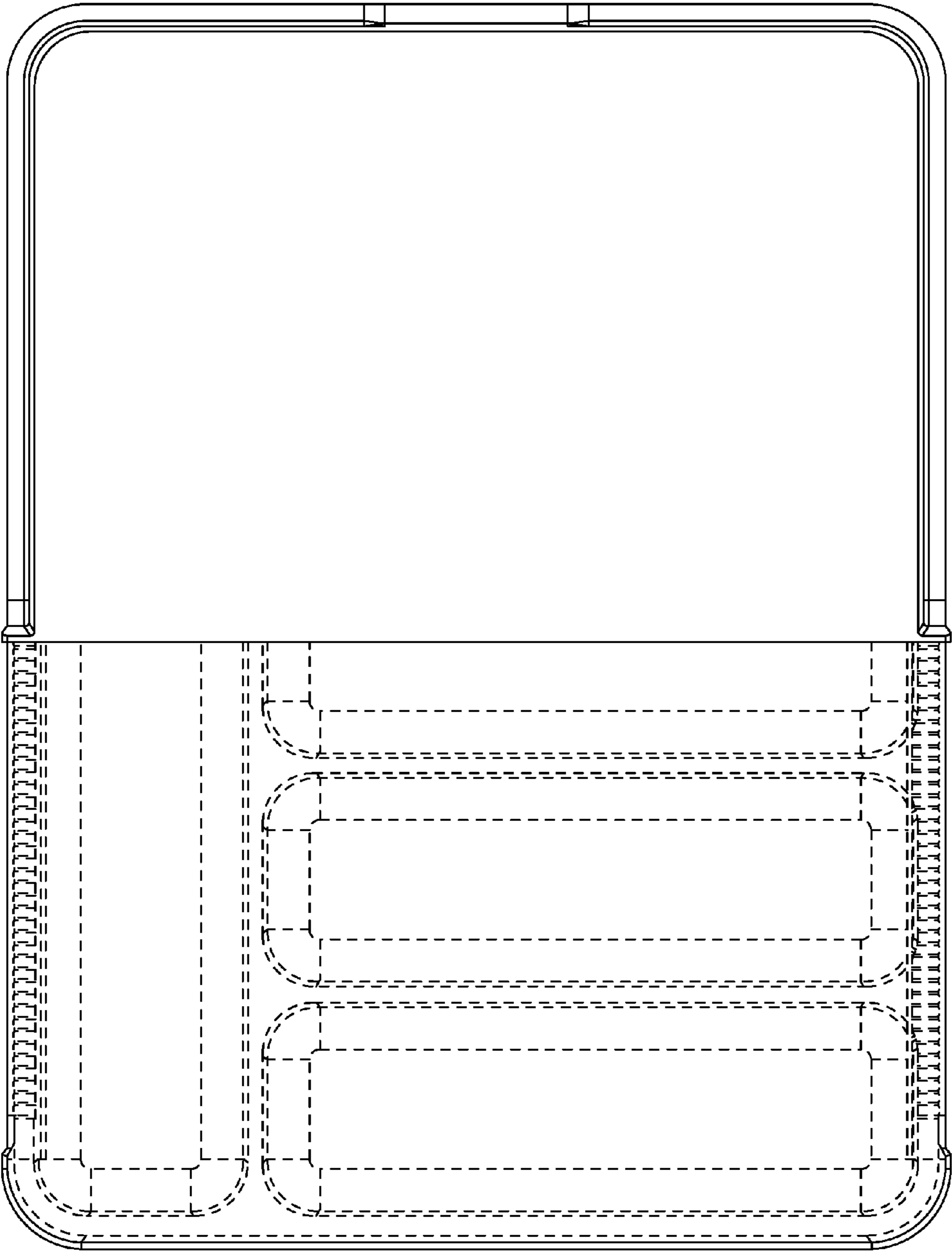


Fig.3

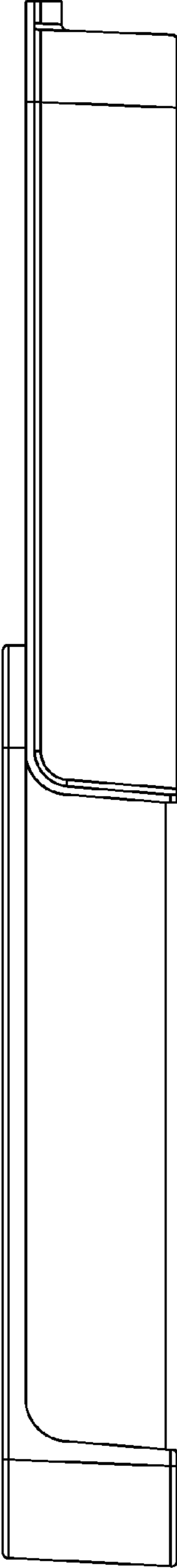


Fig.4

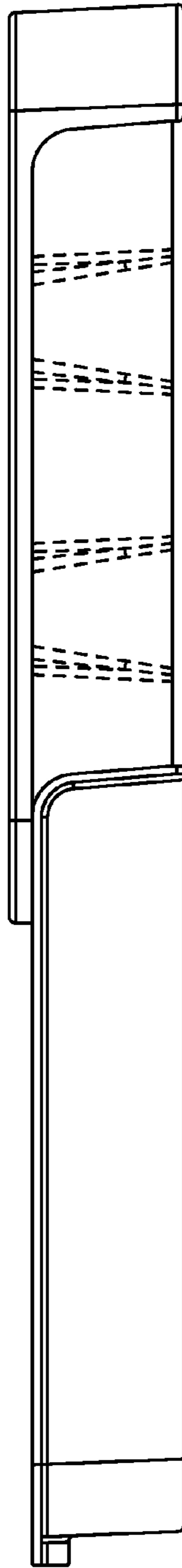


Fig.5

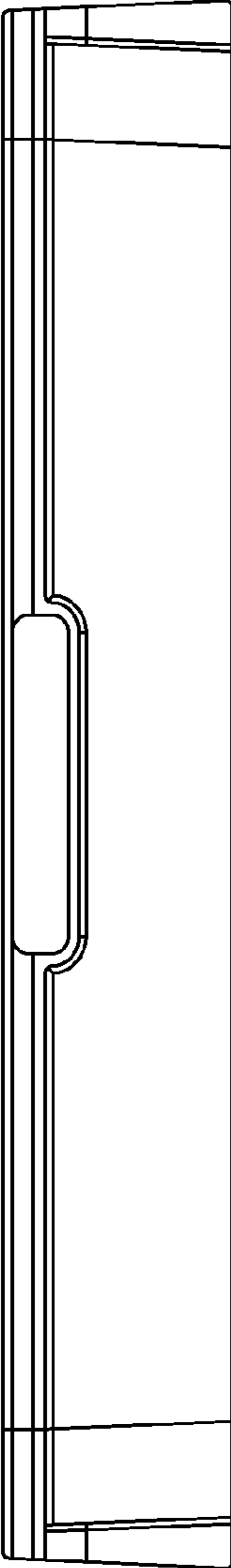


Fig.6

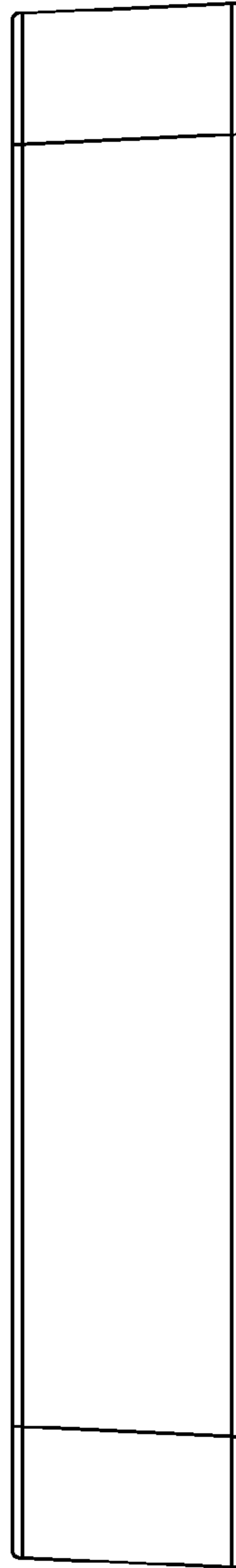


Fig. 7