



US00D711195S

(12) **United States Design Patent**
Cornu et al.

(10) **Patent No.:** **US D711,195 S**

(45) **Date of Patent:** **** Aug. 19, 2014**

(54) **COLLECTION CONTAINER WITH HANDLE**

(71) Applicant: **Dart Industries Inc.**, Orlando, FL (US)

(72) Inventors: **Judicaël Cornu**, Brussels (BE); **Simone Pallotto**, Etterbeek (BE)

(73) Assignee: **Dart Industries Inc.**, Orlando, FL (US)

(**) Term: **14 Years**

(21) Appl. No.: **29/464,655**

(22) Filed: **Aug. 20, 2013**

(51) **LOC (10) Cl.** **07-01**

(52) **U.S. Cl.**
USPC **D7/543**; D7/318; D7/691; D10/46.2;
D24/122

(58) **Field of Classification Search**

USPC D7/510, 511, 512, 523, 507, 531, 524,
D7/537, 528, 533, 536, 509, 515, 514, 543,
D7/545, 586, 318; 220/8, 92, 714, 666,
220/23.83, 719, 713, 630, 710.5, 212.5,
220/717; 215/11.5, 398, 378, 6; 206/218,
206/581; D24/197, 121, 122; D9/503, 504;
D10/46.2

See application file for complete search history.

(56) **References Cited**

U.S. PATENT DOCUMENTS

D211,047 S * 5/1968 Johnson D10/46.2
D285,515 S * 9/1986 Papciak D7/509
D287,324 S * 12/1986 Schmidt D10/46.2
D287,325 S 12/1986 Schmidt
4,934,547 A * 6/1990 Mayes et al. 215/306
5,419,454 A * 5/1995 Stowell et al. 220/574
D360,556 S 7/1995 DeCoster
D360,809 S * 8/1995 Longtin et al. D7/637
D442,429 S 5/2001 Liu
D455,614 S 4/2002 Miller
D473,754 S * 4/2003 Thun D7/545

D484,363 S * 12/2003 de Groote et al. D7/543
D501,363 S 2/2005 Laib
D506,346 S 6/2005 Matsumoto et al.
D538,599 S * 3/2007 Miller D7/586
D542,077 S 5/2007 Claypool et al.
D545,629 S * 7/2007 Mellen et al. D7/543
D552,916 S * 10/2007 Bodum D7/318
D559,029 S * 1/2008 Gonzalez et al. D7/318
D562,633 S * 2/2008 Luft D7/533
D580,799 S * 11/2008 Curtin D10/46.2
D586,622 S * 2/2009 Silvers D7/523
D592,011 S * 5/2009 Fujimoto et al. D7/509
7,753,206 B2 * 7/2010 Sawhney et al. 206/514
D639,115 S * 6/2011 Stewart et al. D7/543
D641,265 S * 7/2011 Tamura et al. D10/46.2
D641,266 S * 7/2011 Tamura et al. D10/46.2
D656,792 S * 4/2012 Sink et al. D7/586
D673,426 S * 1/2013 Heiberg et al. D7/545
D676,270 S * 2/2013 Heiberg et al. D7/317
2012/0002501 A1 * 1/2012 Ulstad et al. 366/205

* cited by examiner

Primary Examiner — Marianne Pandozzi

(74) *Attorney, Agent, or Firm* — Taylor J. Ross

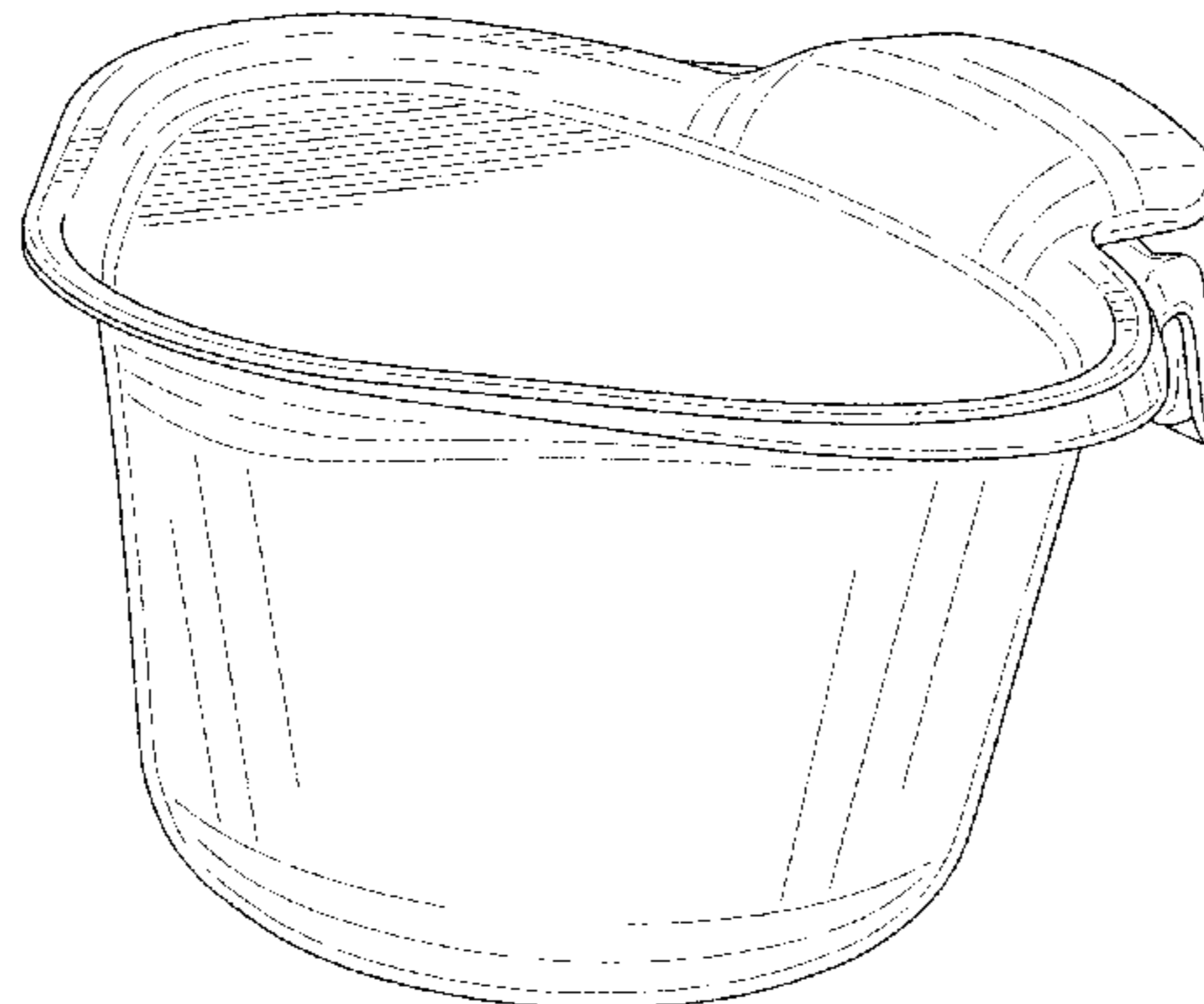
(57) **CLAIM**

The ornamental design for a collection container with handle, as shown and described.

DESCRIPTION

FIG. 1 is a top, front and right side perspective view of a collection container with handle showing our new design; FIG. 2 is a top, rear and right side perspective view thereof; FIG. 3 is a top plan view thereof; FIG. 4 is a bottom plan view thereof; FIG. 5 is a right side elevation view, the left side elevation being a mirror image thereof; FIG. 6 is a front elevation view thereof; FIG. 7 is a rear elevation view thereof; FIG. 8 is a cross-sectional view along line 8-8 of FIG. 4; and, FIG. 9 is a cross-sectional view along line 9-9 of FIG. 4.

1 Claim, 5 Drawing Sheets



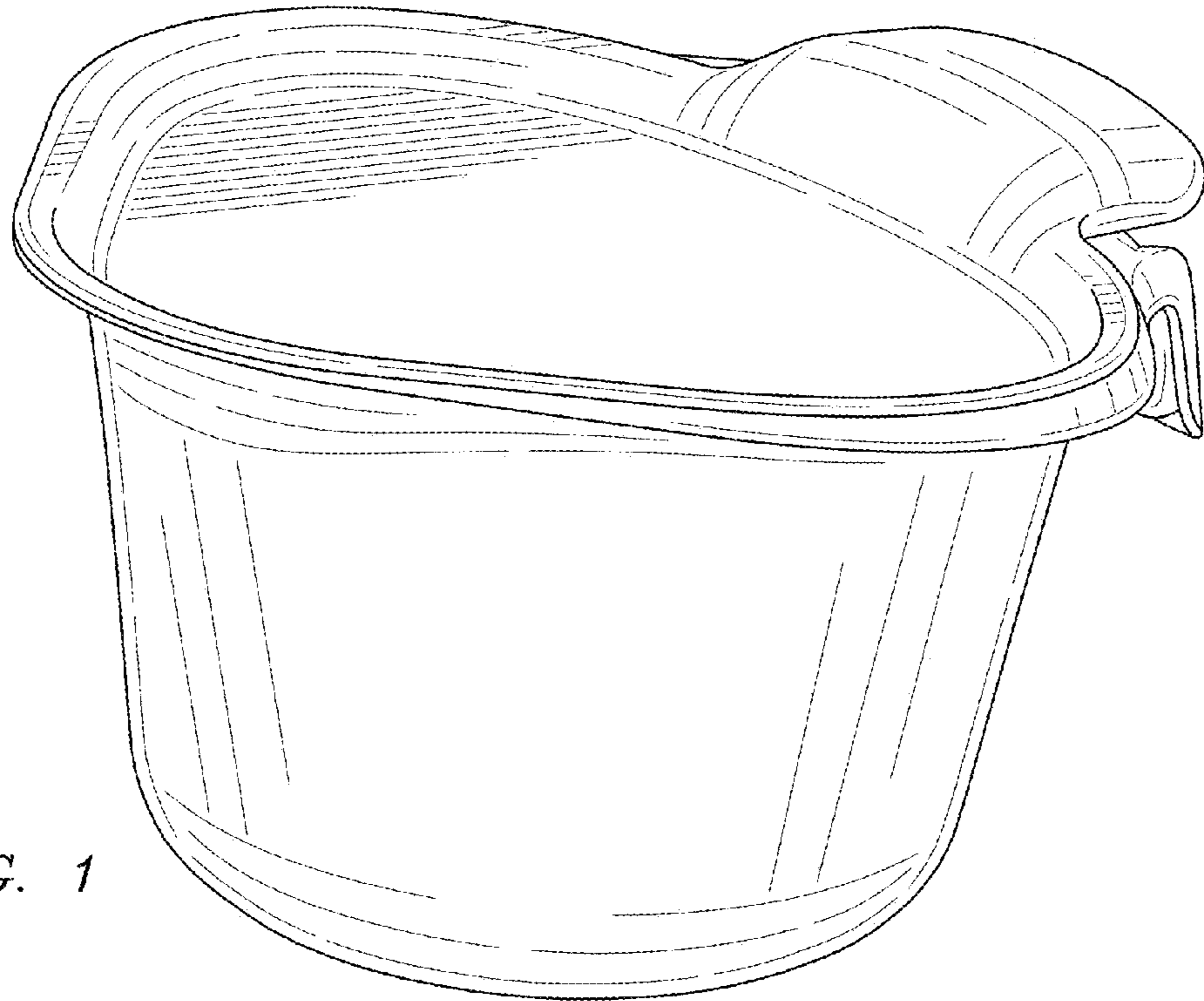


FIG. 1

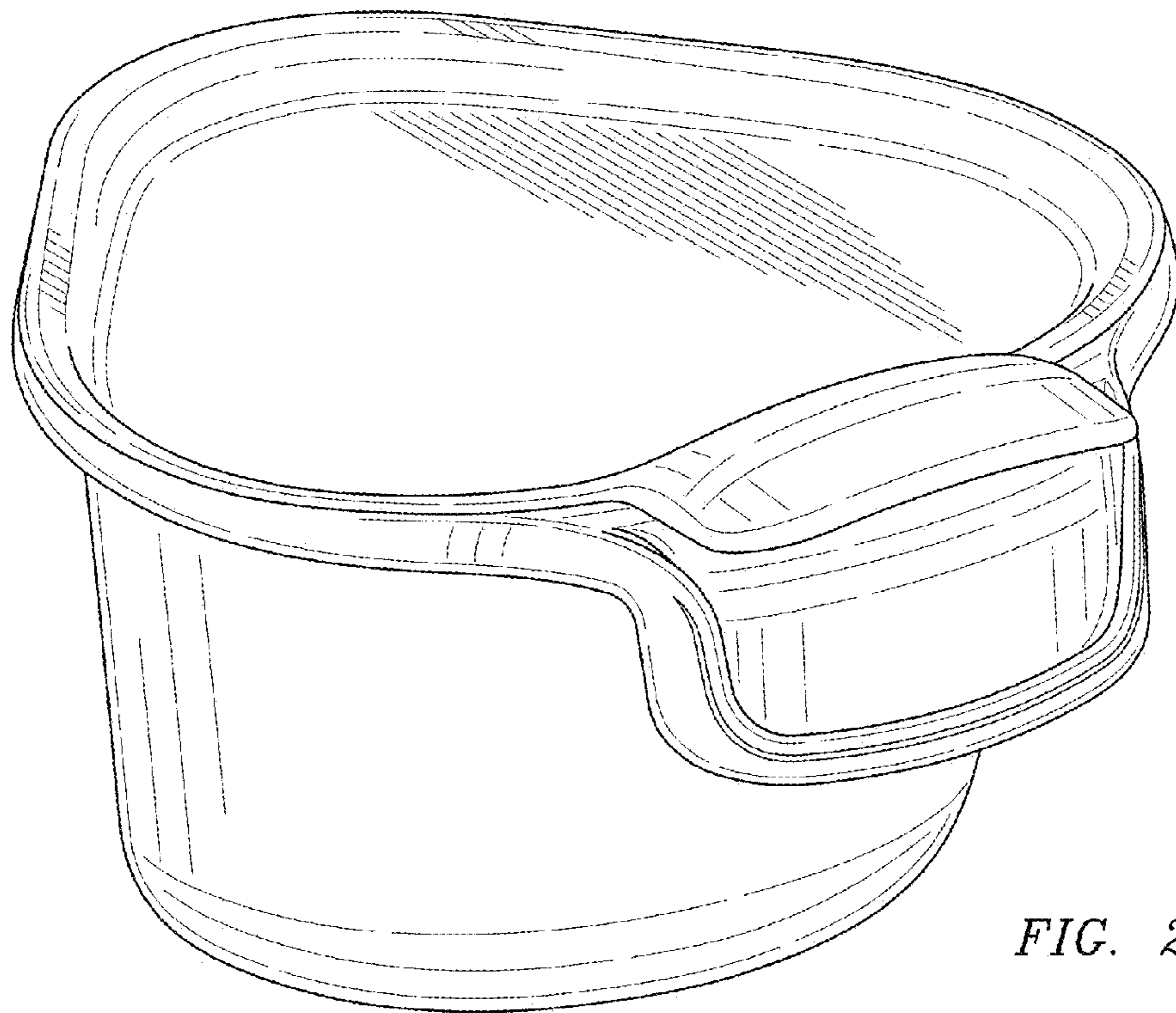


FIG. 2

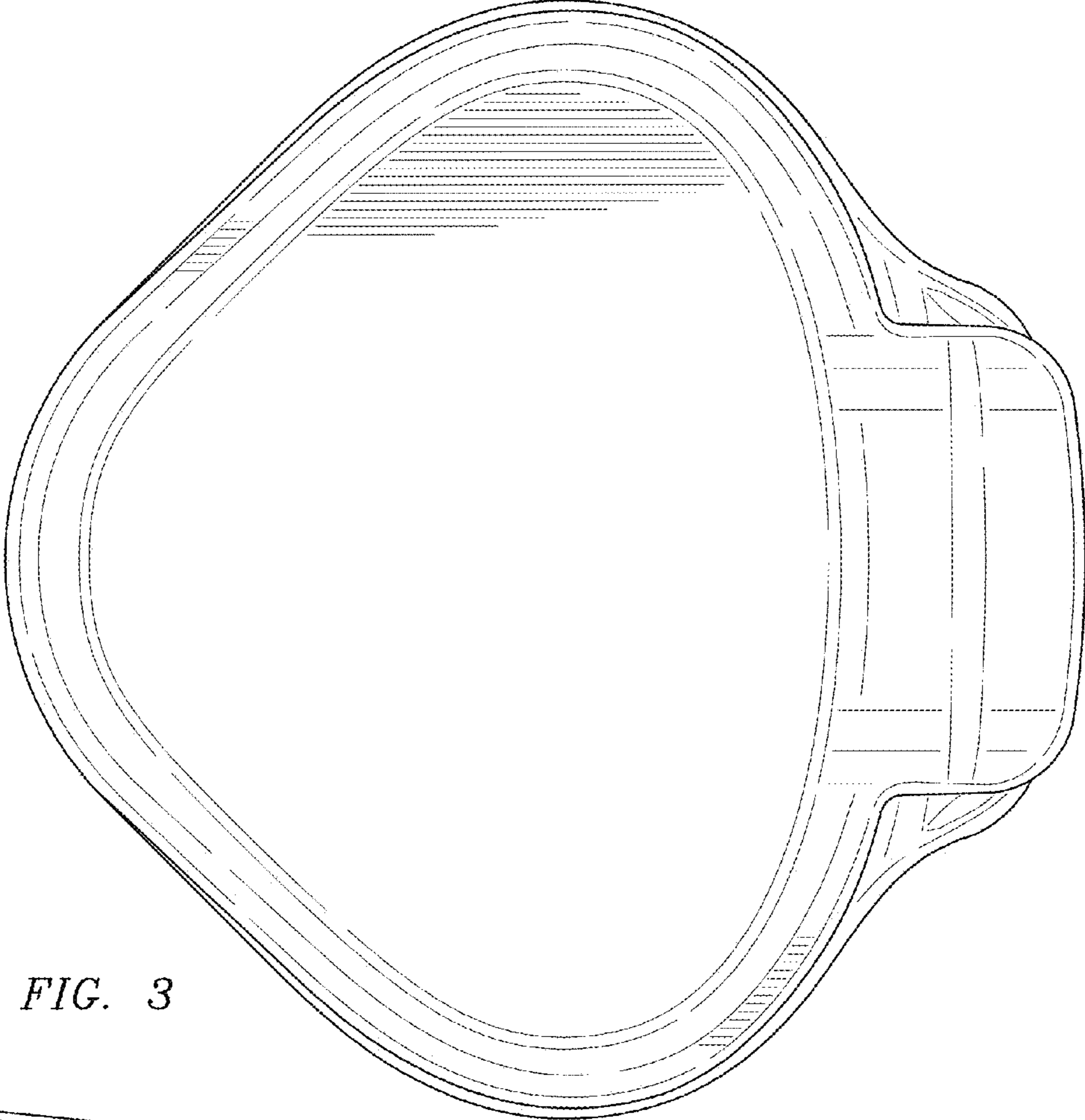


FIG. 3

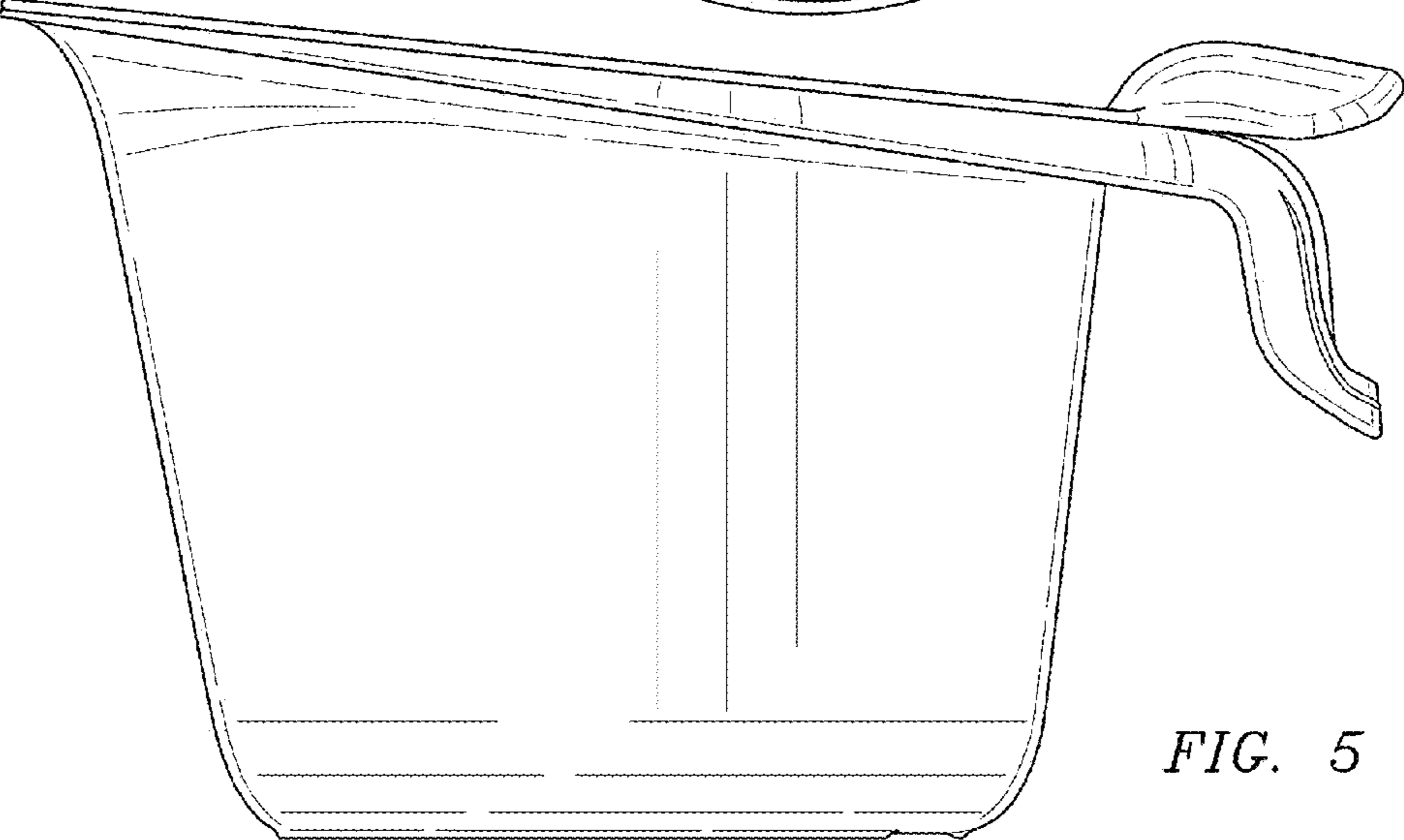


FIG. 5

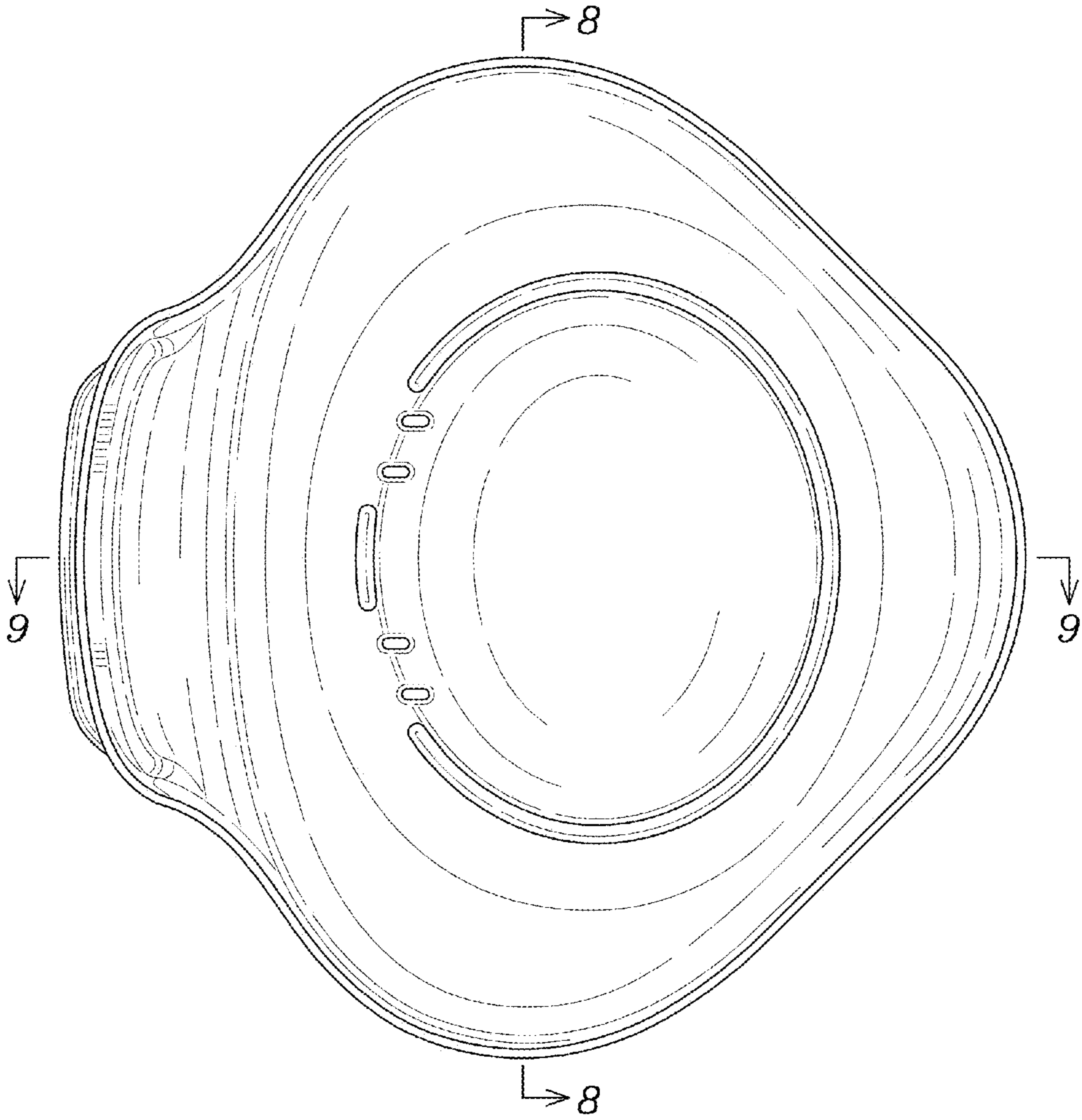


FIG. 4

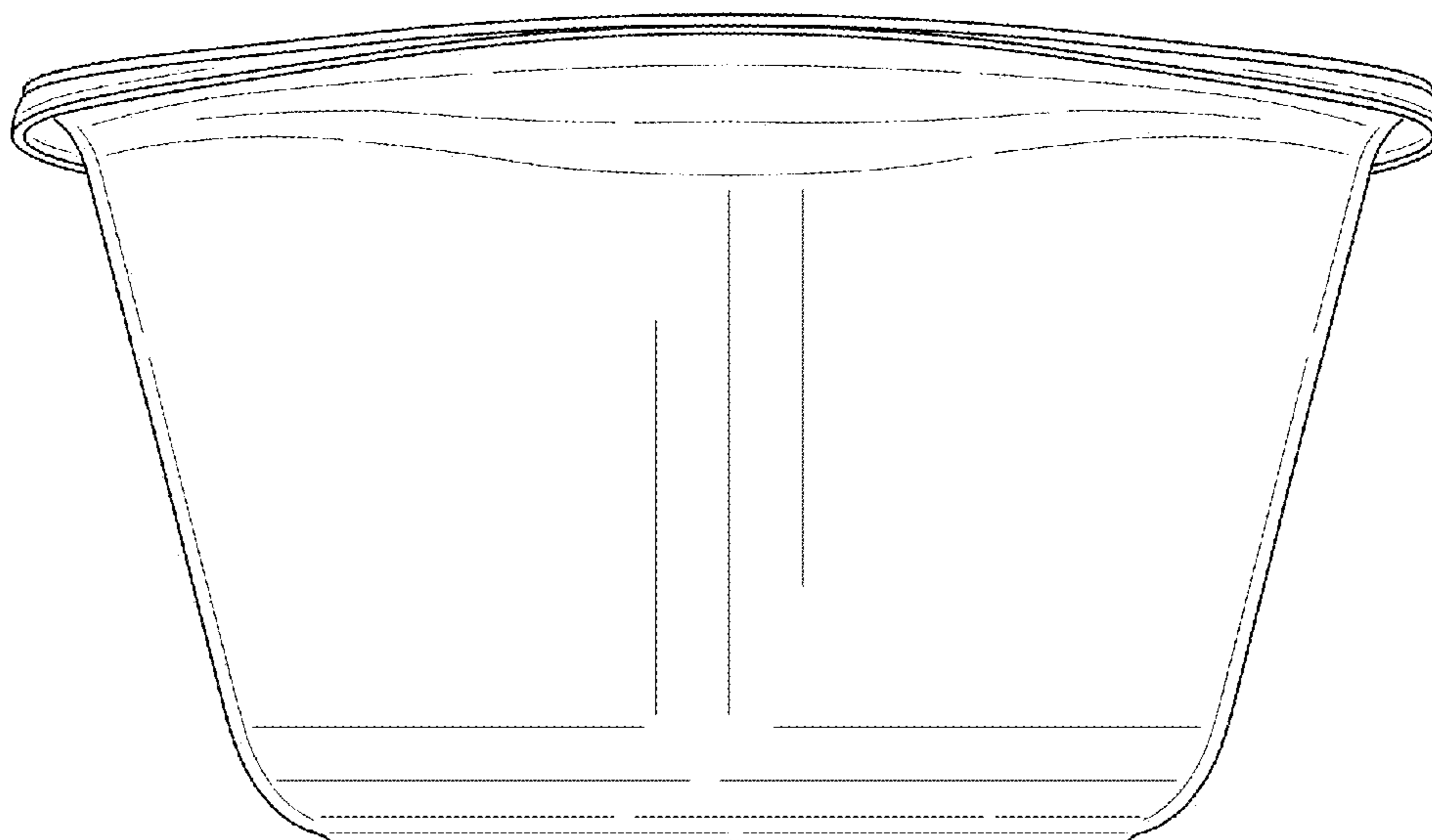


FIG. 6

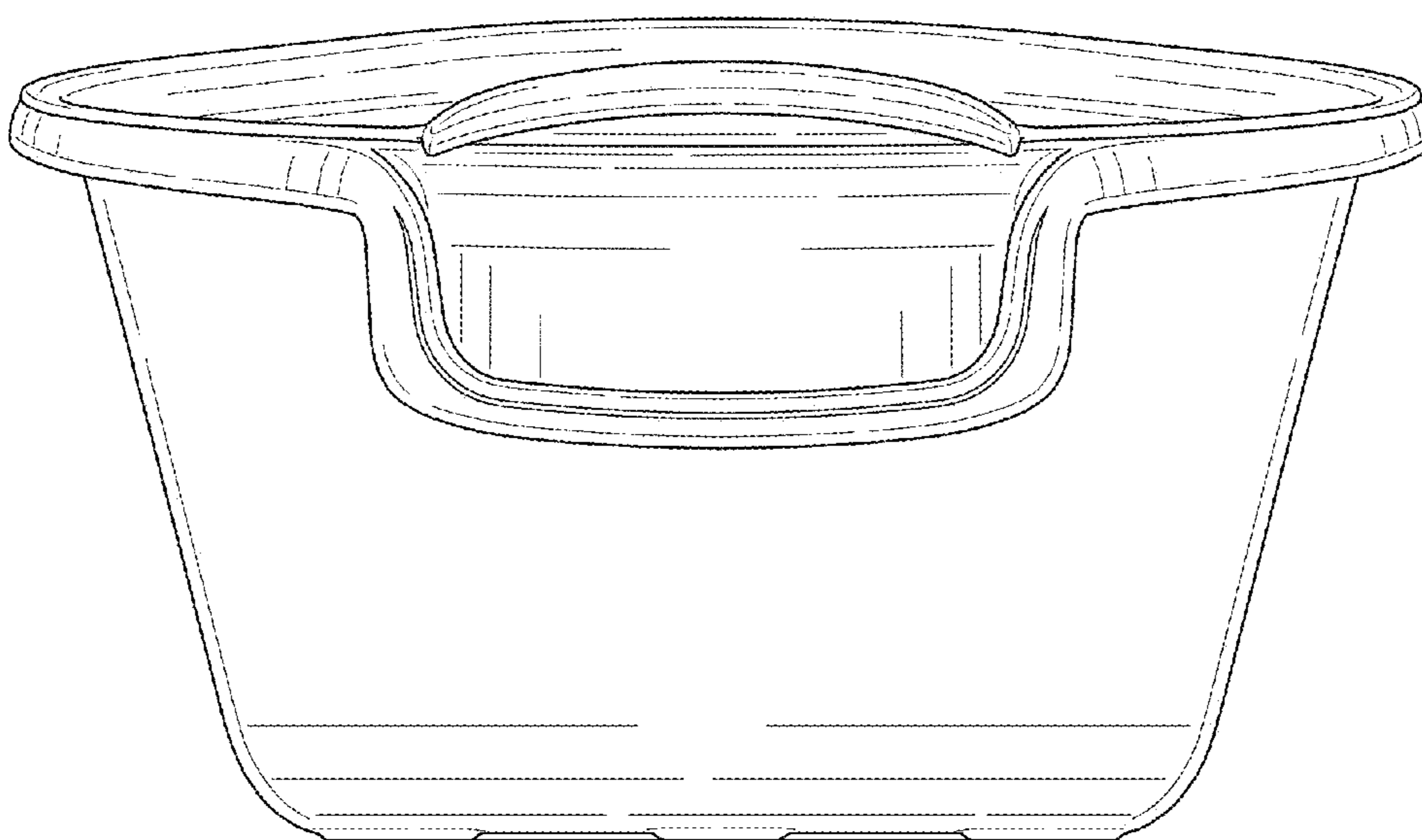


FIG. 7

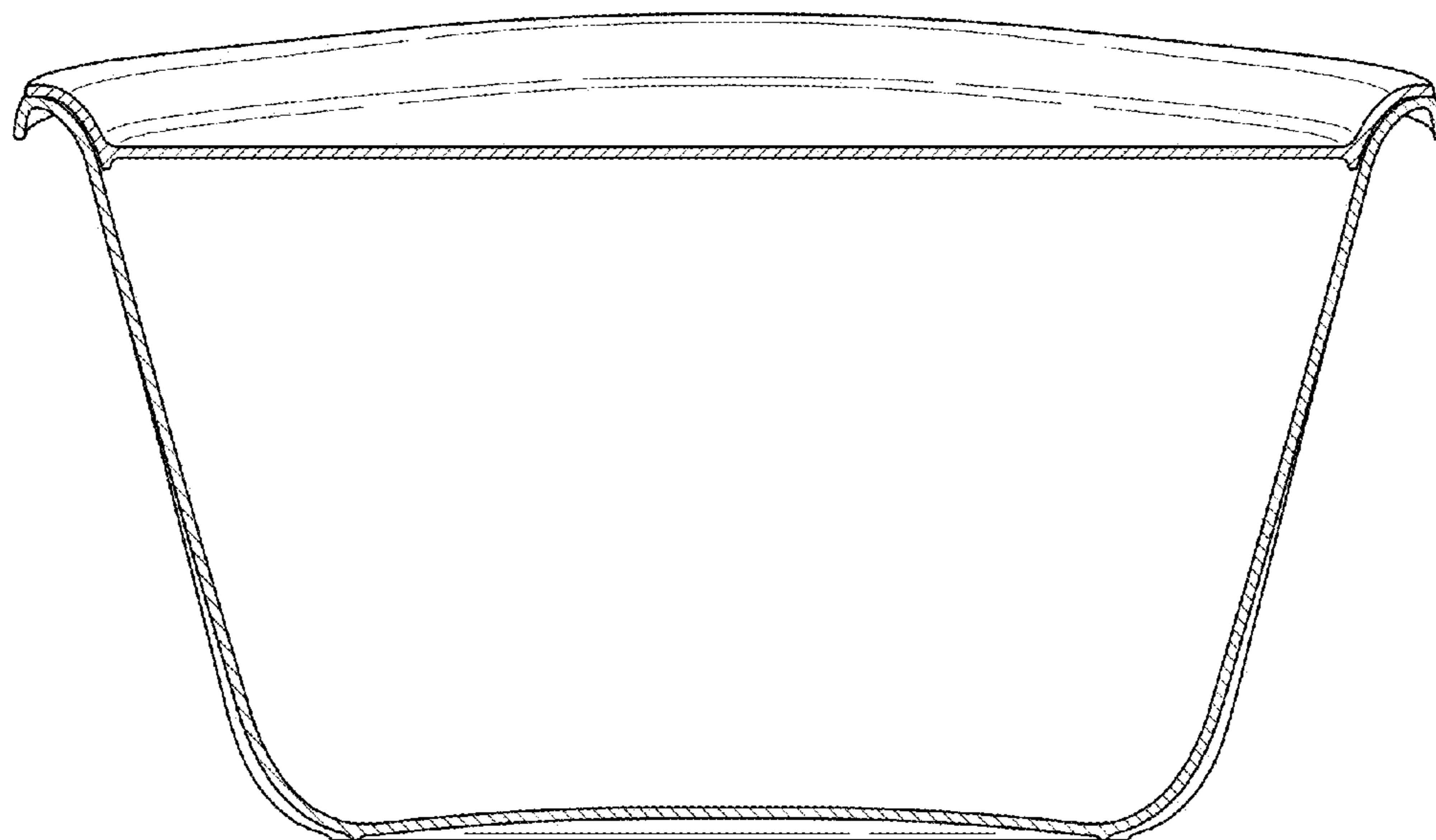


FIG. 8

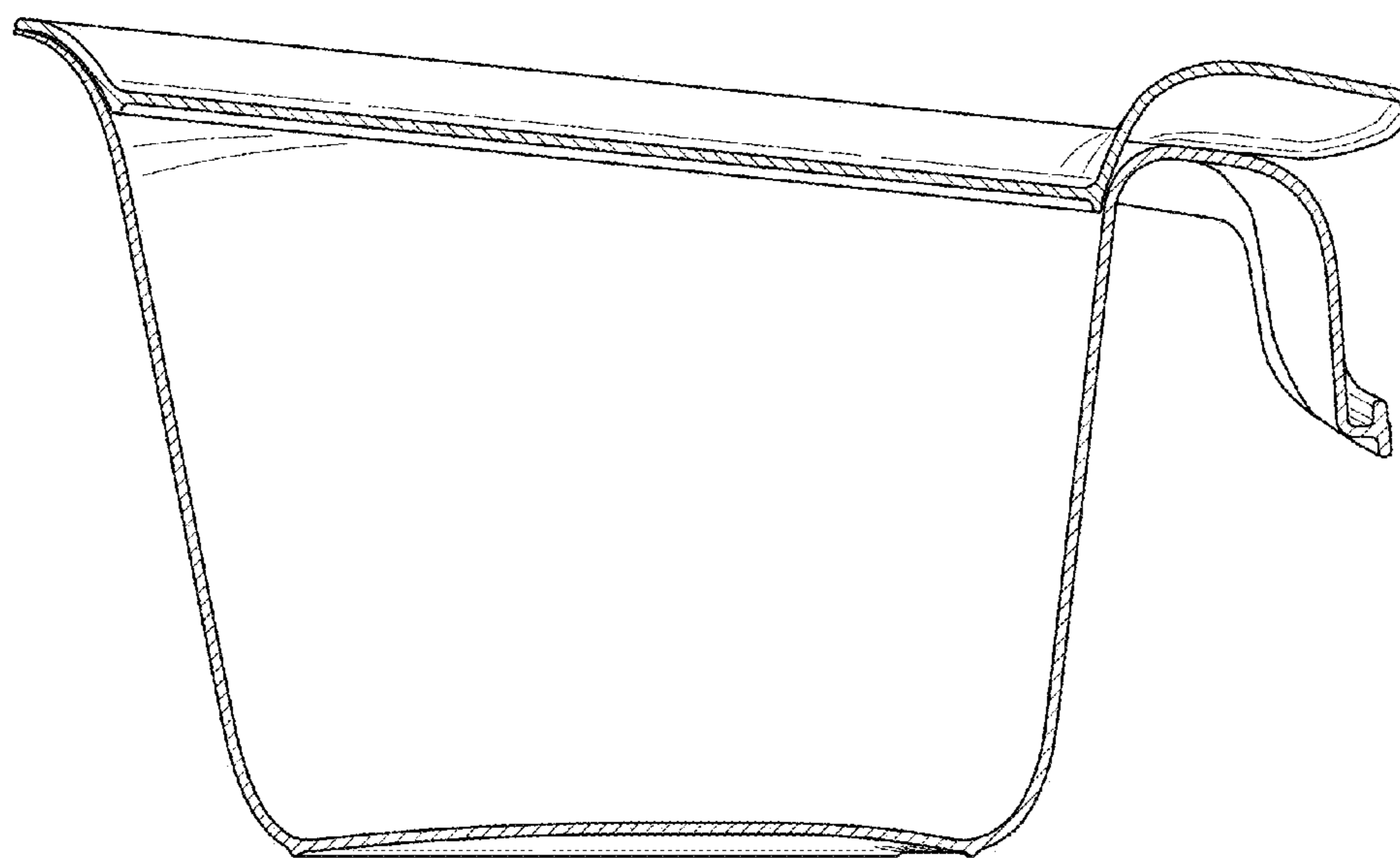


FIG. 9