



US00D711192S

(12) **United States Design Patent**
Picozza et al.

(10) **Patent No.:** **US D711,192 S**
(45) **Date of Patent:** **** Aug. 19, 2014**

(54) **BEVERAGE MIXING DEVICE**

(71) Applicant: **Sunbeam Products, Inc.**, Boca Raton,
FL (US)

(72) Inventors: **Augusto Picozza**, Boca Raton, FL (US);
Omar Bermudez, Boca Raton, FL (US)

(73) Assignee: **Sunbeam Products, Inc.**, Boca Raton,
FL (US)

(**) Term: **14 Years**

(21) Appl. No.: **29/448,360**

(22) Filed: **Mar. 12, 2013**

(51) **LOC (10) Cl.** **31-00**

(52) **U.S. Cl.**
USPC **D7/413; D7/376; D7/378; D7/412;**
D7/300.1

(58) **Field of Classification Search**
USPC **D7/400, 397, 387, 413, 376, 378, 412,**
D7/300.1; D9/416; 99/295, 323, 287;
426/112; 220/568; 366/130, 205
See application file for complete search history.

(56) **References Cited**

U.S. PATENT DOCUMENTS

D178,593 S * 8/1956 Cervený et al. D7/413
3,677,524 A * 7/1972 Douglas 366/130

D232,997 S * 10/1974 Koblíck D7/368
D242,302 S * 11/1976 Madl D7/413
4,003,555 A * 1/1977 Swartz 366/130
5,108,768 A * 4/1992 So 426/77
7,441,944 B2 * 10/2008 Sands 366/205
D603,218 S * 11/2009 Hollinger D7/412
7,717,610 B2 * 5/2010 Schleich 366/130
D640,093 S * 6/2011 Picozza et al. D7/413
7,958,819 B2 * 6/2011 Sands 99/513
D699,996 S * 2/2014 De Leo D7/300.1
8,753,004 B2 * 6/2014 Miller et al. 366/205
2004/0159624 A1 * 8/2004 Miller et al. 215/222

* cited by examiner

Primary Examiner — Marianne Pandozzi

(74) *Attorney, Agent, or Firm* — Michael J. Corrigan

(57) **CLAIM**

The ornamental design for the beverage mixing device, as shown and described.

DESCRIPTION

FIG. 1 is a perspective view of the beverage mixing device;
FIG. 2 is a front view thereof;
FIG. 3 is a top view thereof;
FIG. 4 is a bottom view thereof; and,
FIG. 5 is a bottom perspective view thereof.
The portion shown in dashed lines is shown for illustrative purposes only and forms no part of the claimed design.

1 Claim, 2 Drawing Sheets

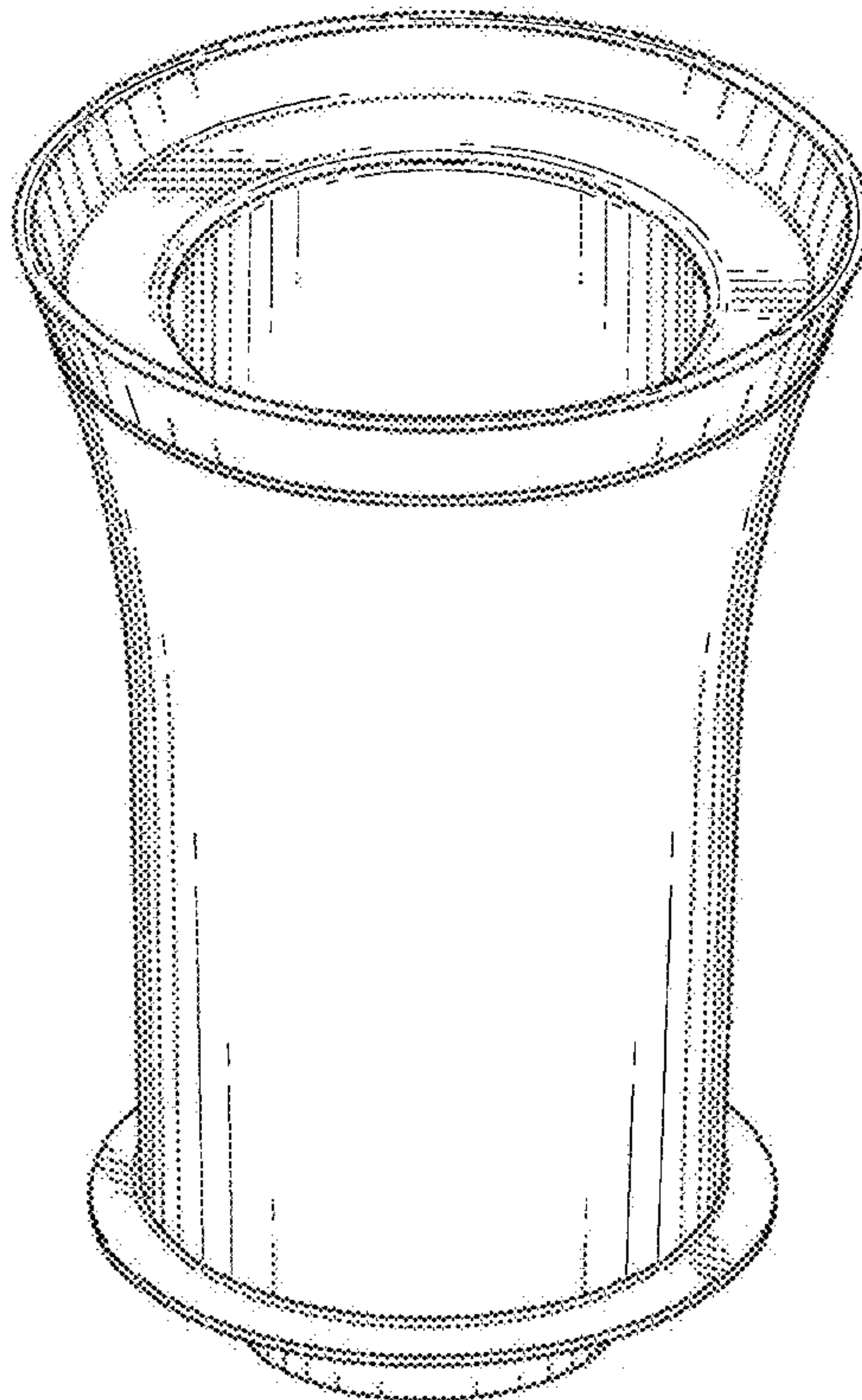


FIG. 1

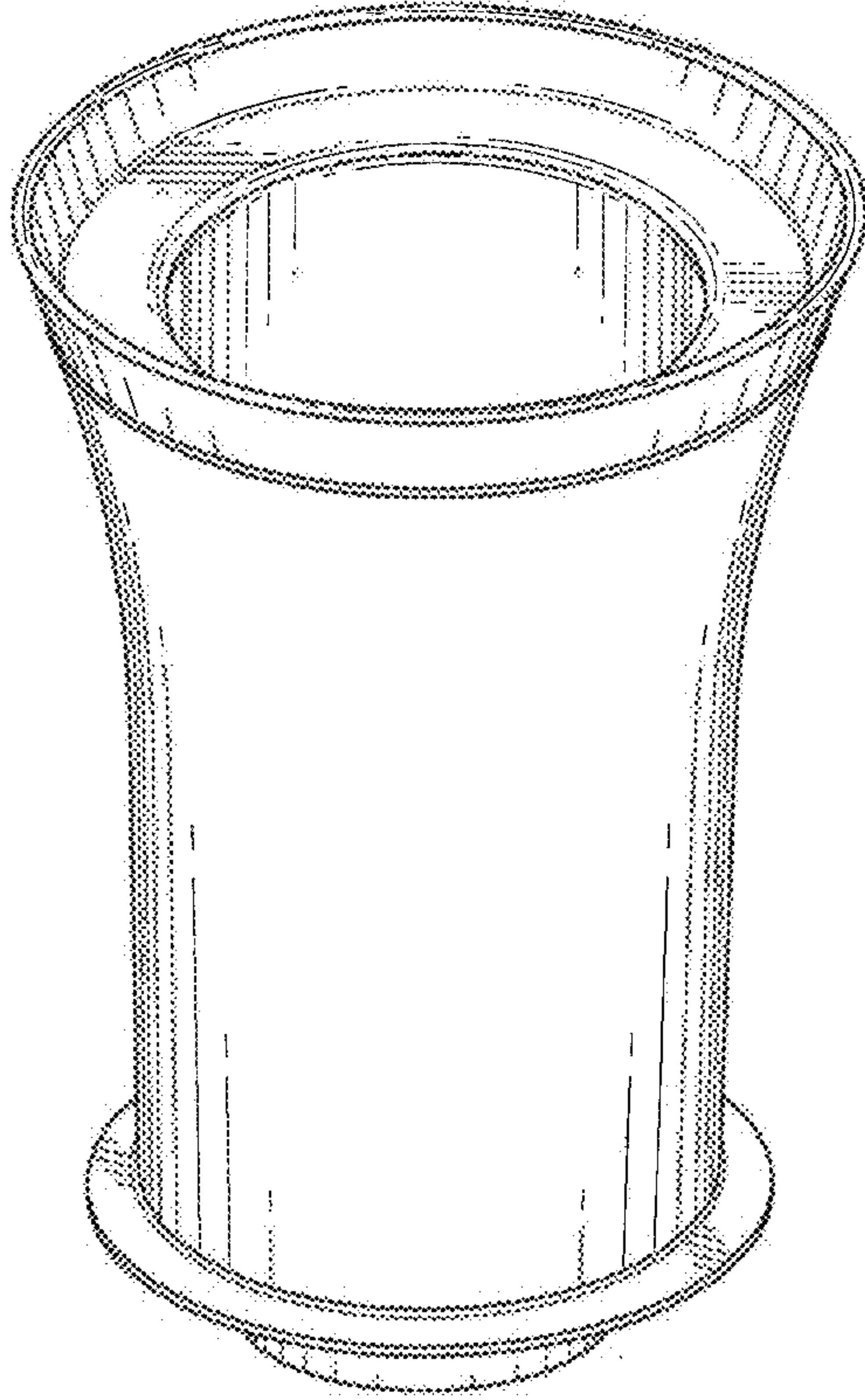


FIG. 2

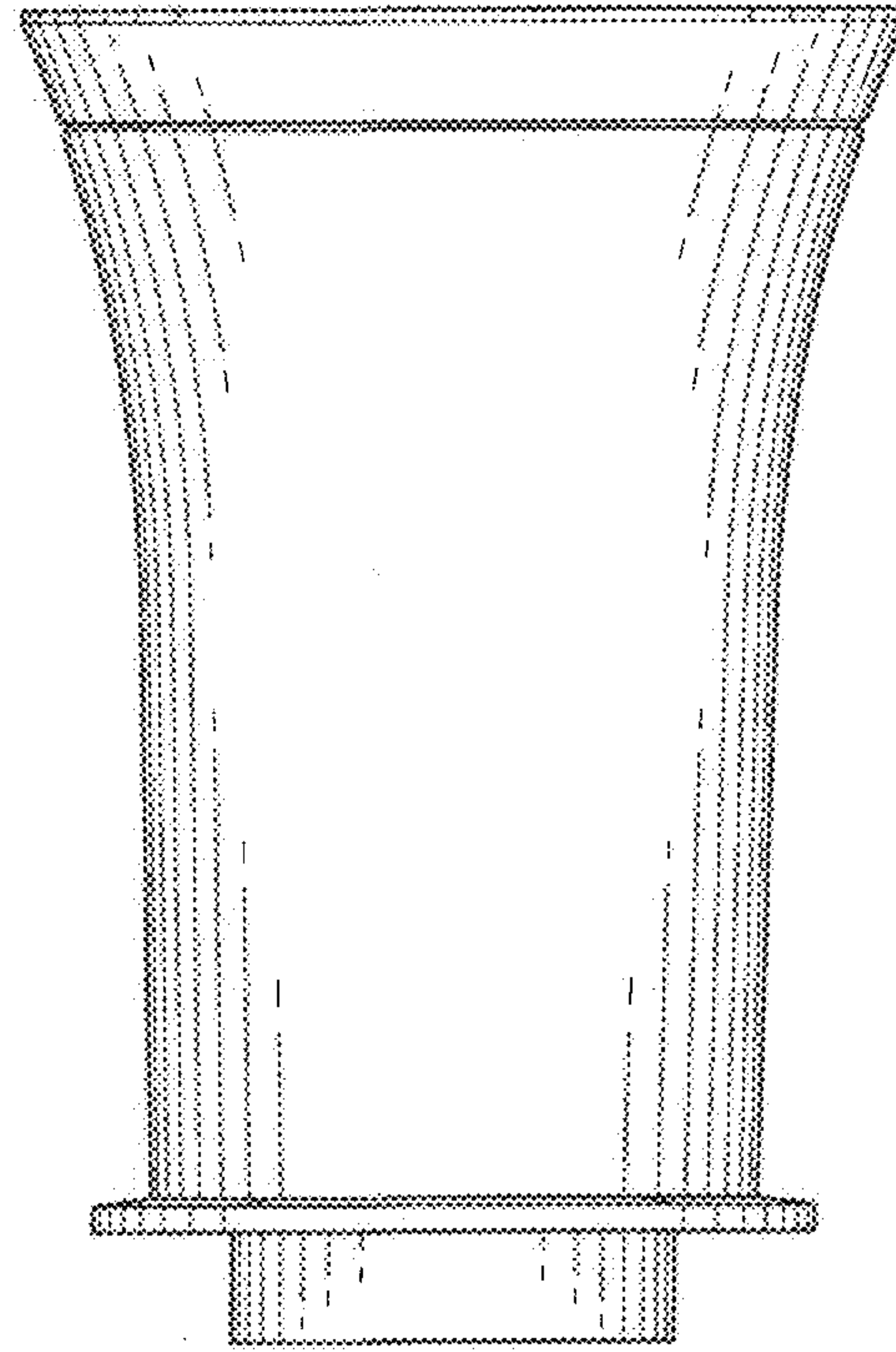


FIG. 3

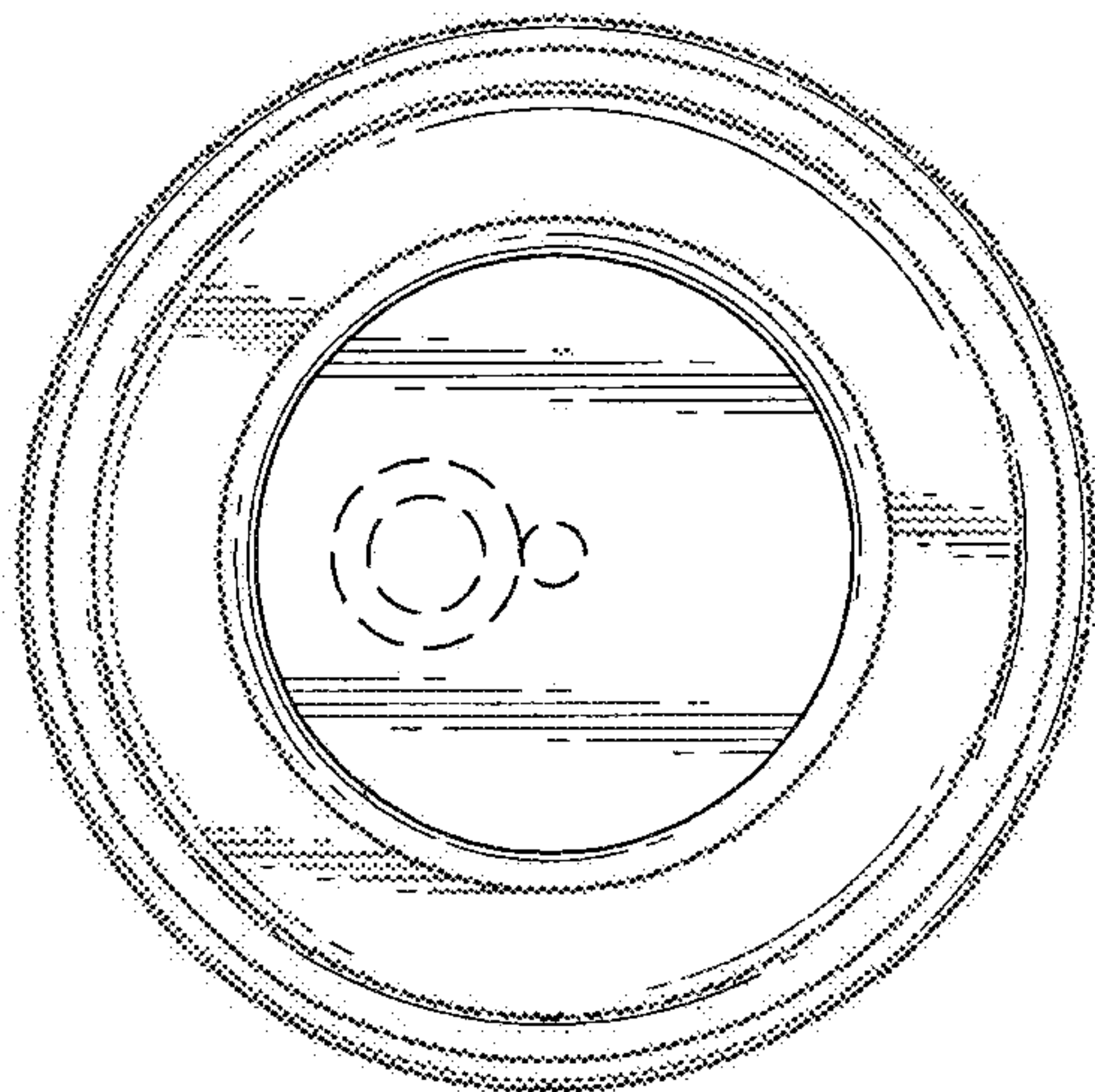


FIG. 4

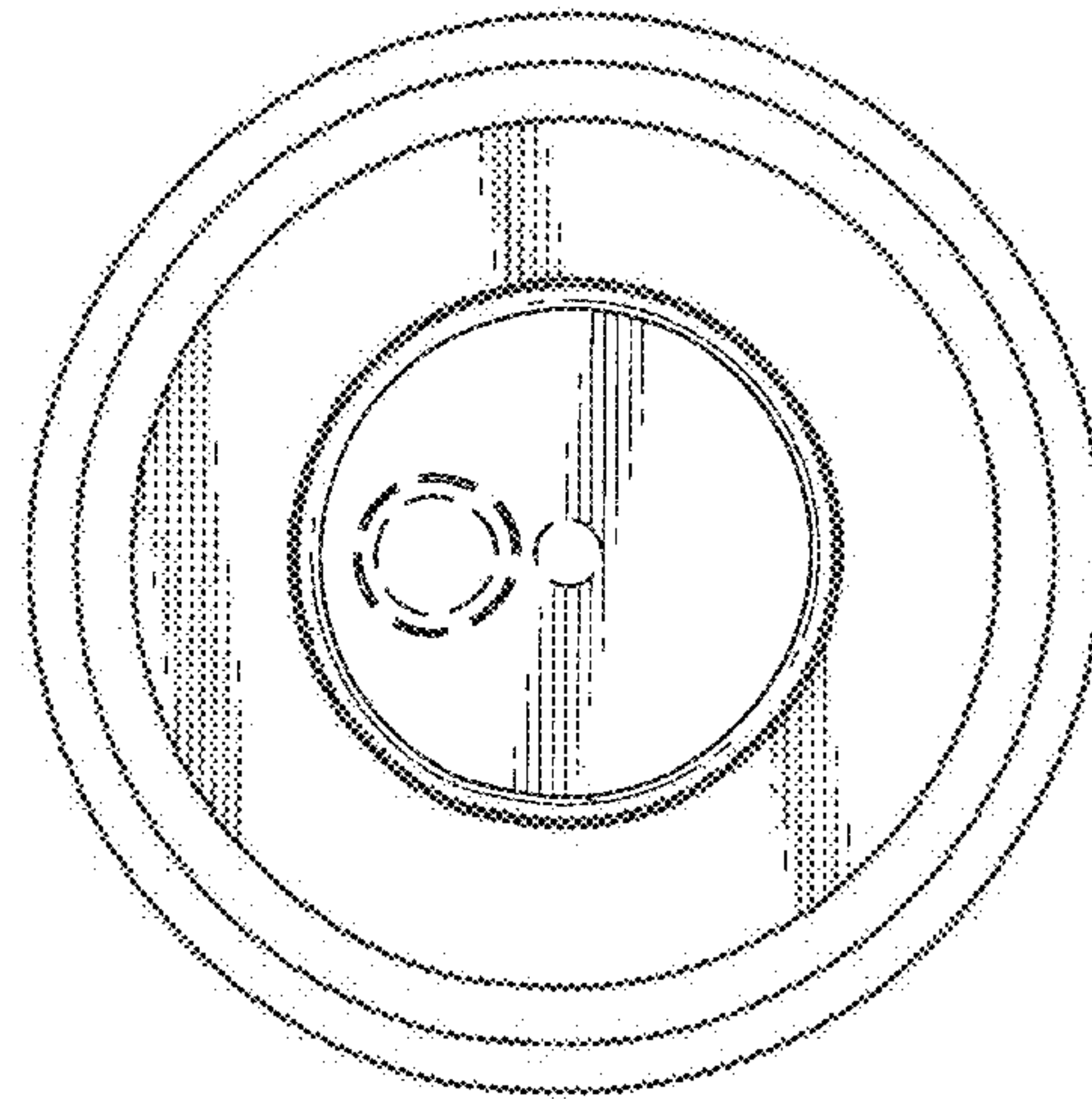


FIG. 5

