



US00D711190S

(12) **United States Design Patent**
Otto

(10) **Patent No.:** **US D711,190 S**

(45) **Date of Patent:** **** Aug. 19, 2014**

- (54) **COFFEE FILTER BASKET TRAY**
- (71) Applicant: **Jay D. Otto**, Dayton, OH (US)
- (72) Inventor: **Jay D. Otto**, Dayton, OH (US)
- (73) Assignee: **Iyoo, LLC**, Dayton, OH (US)
- (**) Term: **14 Years**

Primary Examiner — Marianne Pandozzi
(74) *Attorney, Agent, or Firm* — R. William Graham

- (21) Appl. No.: **29/435,801**
- (22) Filed: **Oct. 29, 2012**
- (51) **LOC (10) Cl.** **07-99**
- (52) **U.S. Cl.**
USPC **D7/400; D7/399**
- (58) **Field of Classification Search**
USPC D7/397, 398, 399, 400, 401, 555, 553.1,
D7/553.5, 300; 99/295, 279; 426/433
See application file for complete search history.

(57) **CLAIM**
The ornamental design for the coffee filter basket tray, as shown and described.

DESCRIPTION

FIG. 1 is a top view of a coffee filter basket tray showing my new design;
 FIG. 2 is a bottom view of a coffee filter basket tray showing my new design;
 FIG. 3 is a right side elevation end view of a coffee filter basket tray showing my new design of which the left side elevation is a mirror image;
 FIG. 4 is a back view of a coffee filter basket tray showing my new design;
 FIG. 5 is a front end view of a coffee filter basket tray my new design;
 FIG. 6 is a right front side perspective view of a coffee filter basket tray showing my new design; and,
 FIG. 7 is a right rear side perspective view of a coffee filter basket tray showing my new design.

- (56) **References Cited**
U.S. PATENT DOCUMENTS
D376,928 S * 12/1996 Lorenzana et al. D6/406.5
D496,828 S * 10/2004 Lackey D7/553.5
D614,444 S * 4/2010 Struzka et al. D7/400
D628,852 S * 12/2010 Struzka et al. D7/399
D666,456 S * 9/2012 Struzka D7/399

* cited by examiner

1 Claim, 7 Drawing Sheets

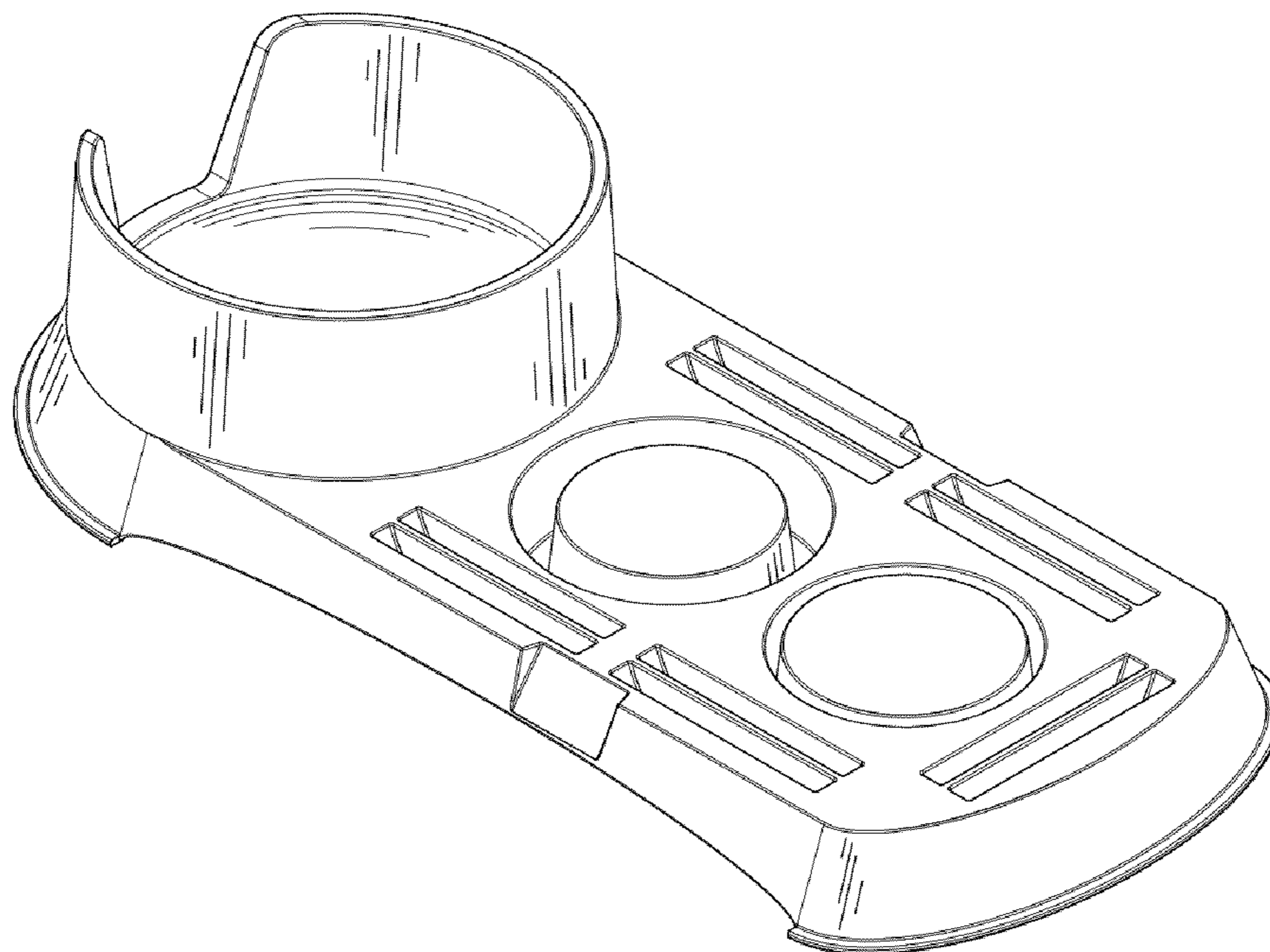


Fig. 1

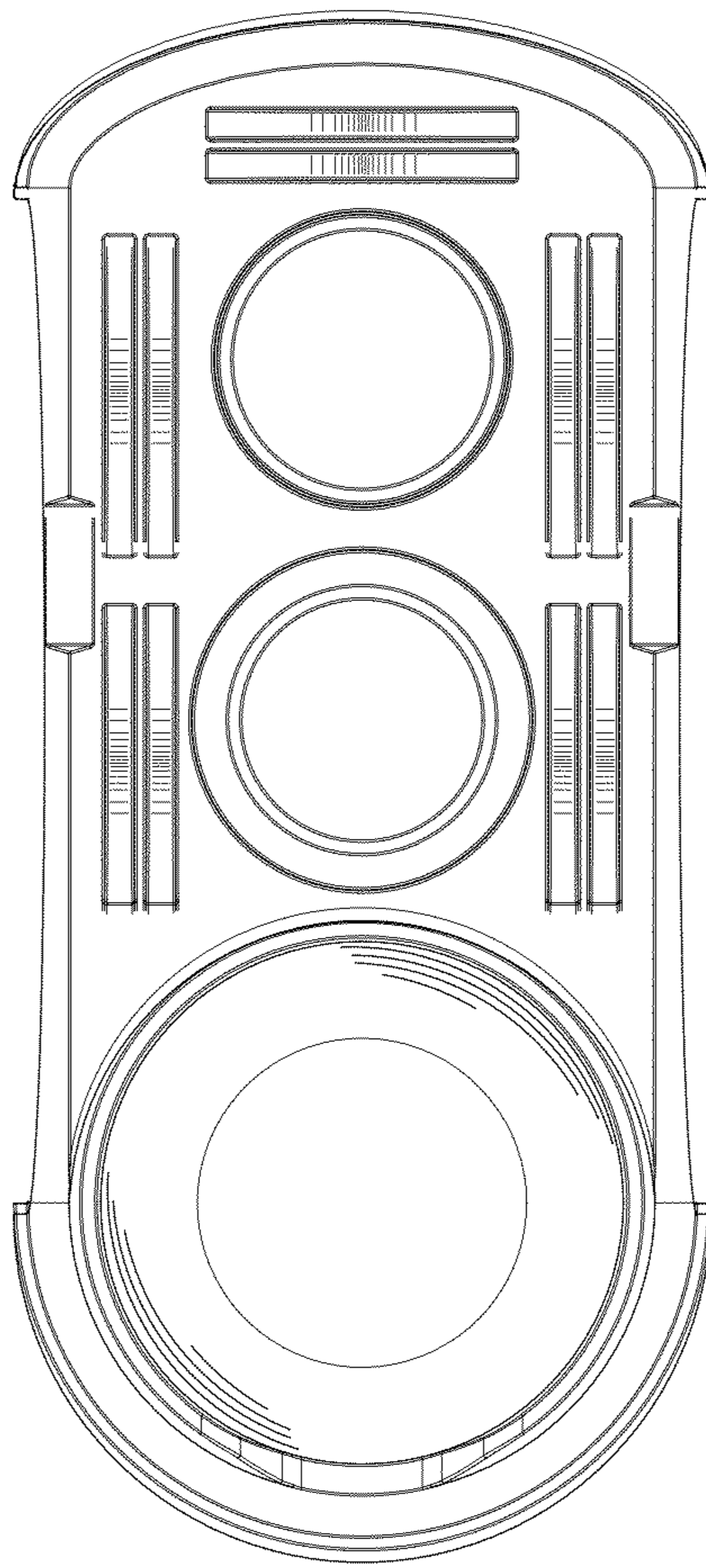


Fig. 2

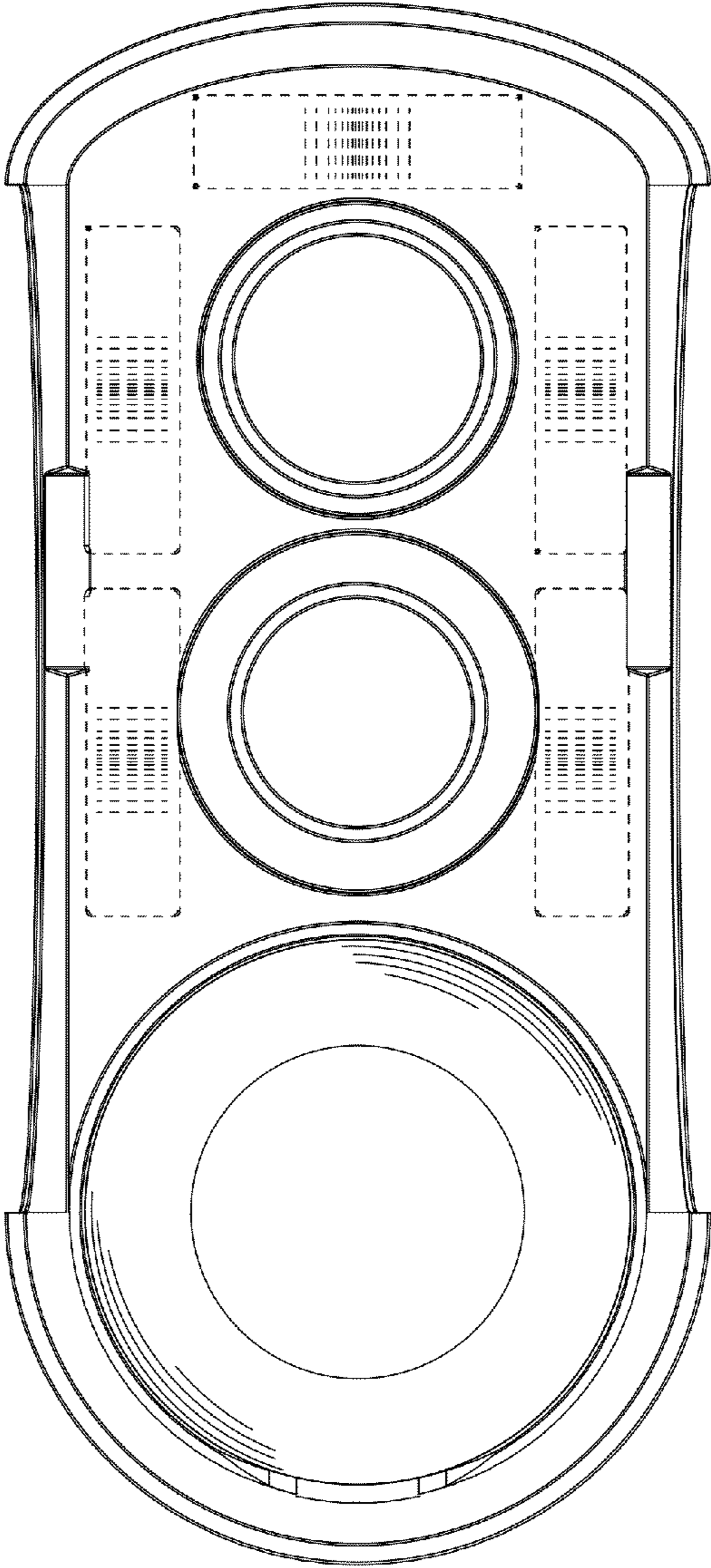
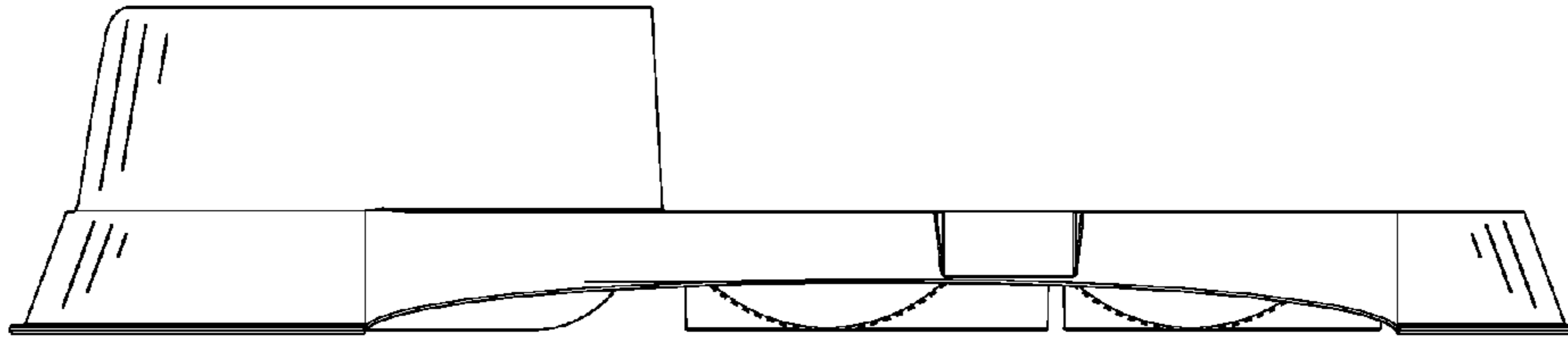


Fig. 3



SIDE VIEW

Fig. 4

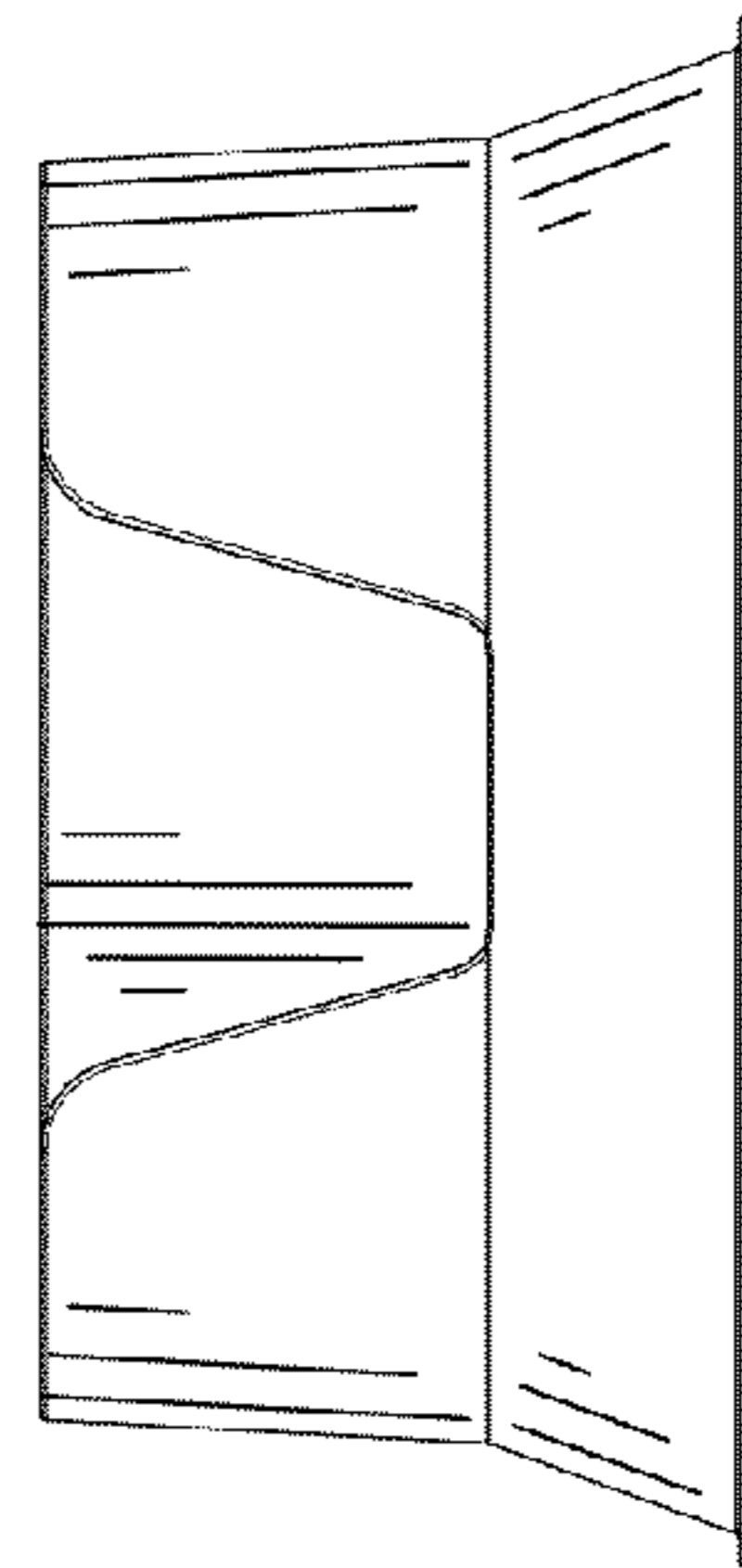


Fig. 5

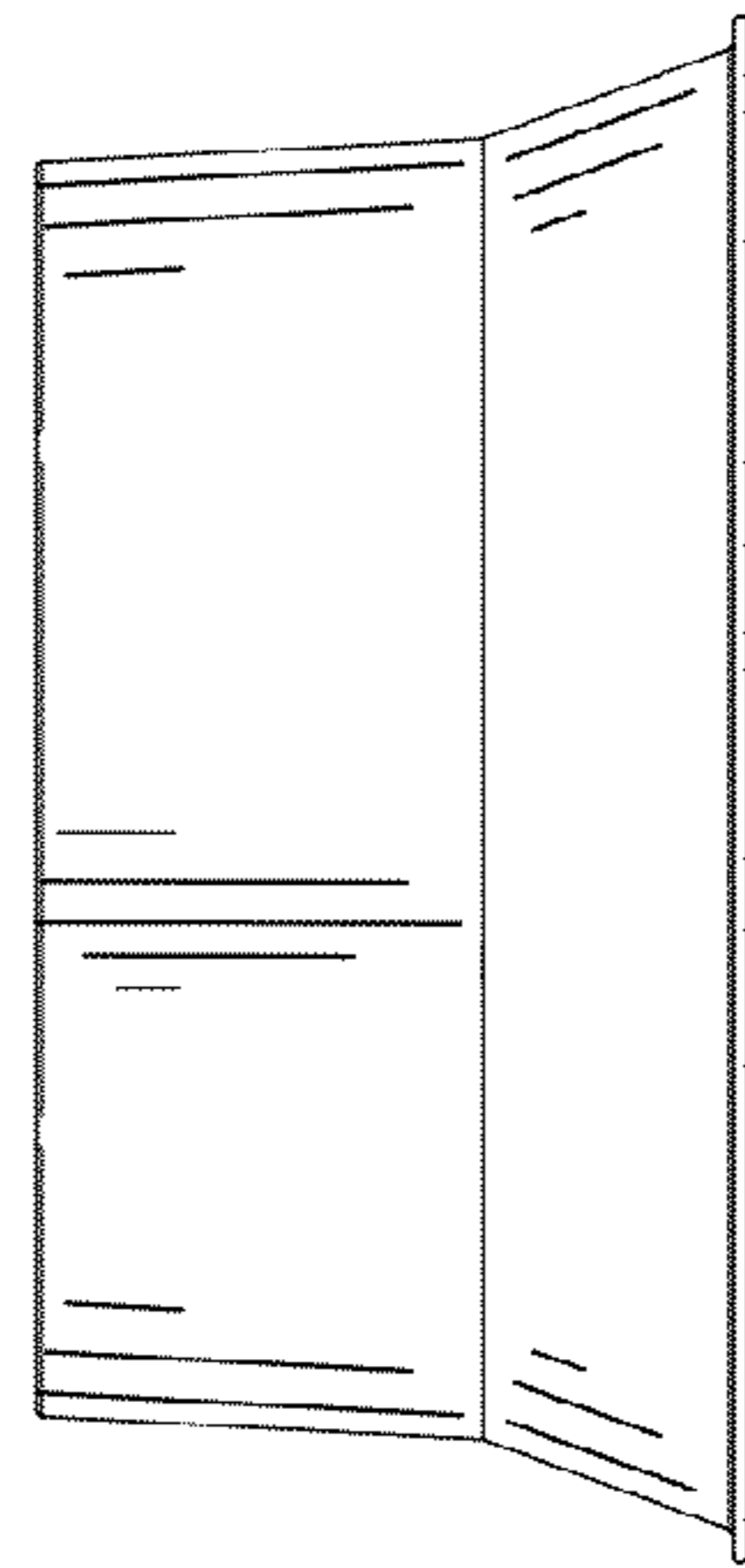


Fig. 6

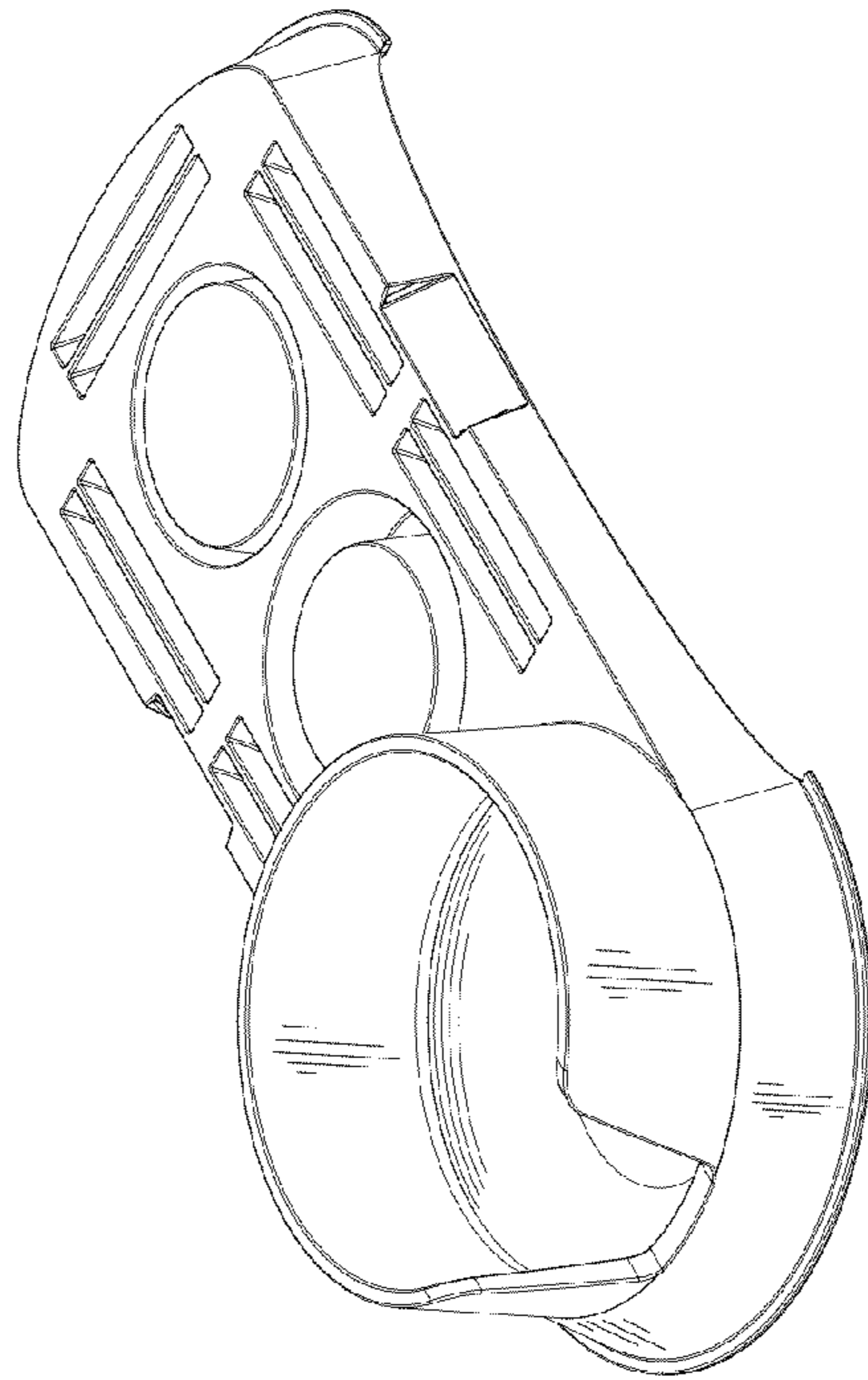


Fig. 7

