



US00D711186S

(12) **United States Design Patent**
De'Longhi et al.

(10) **Patent No.:** **US D711,186 S**

(45) **Date of Patent:** **** Aug. 19, 2014**

(54) **GRILL**

(71) Applicant: **De'Longhi Appliances S.R.L. Con Unico Socio**, Treviso (IT)

(72) Inventors: **Giuseppe De'Longhi**, Treviso (IT);
Francesco Fiorotto, Roncade (IT)

(73) Assignee: **De Longhi Appliances S.R.L. CON UNICO SOCIO**, Treviso (IT)

(**) Term: **14 Years**

(21) Appl. No.: **29/451,853**

(22) Filed: **Apr. 9, 2013**

(30) **Foreign Application Priority Data**

Oct. 9, 2012 (EM) 2115428-0002

(51) **LOC (10) Cl.** **07-02**

(52) **U.S. Cl.**
USPC **D7/363**; D7/362; D7/352

(58) **Field of Classification Search**
USPC D7/323, 329-332, 337-339, 346-347,
D7/350.1-350.4, 352-367, 391-395,
D7/402-406, 538, 542-543, 665;
99/324-327, 330-343, 369, 366, 372,
99/377, 400-418, 422, 425, 444-446,
99/483; 126/37 R, 41 R, 261, 332, 378.1;
219/386-387, 400, 405, 429-442,
219/452.11, 521-525, 620-624, 725,
219/730-735; 220/23.88, 314-315, 485,
220/573.1-573.5, 592.16, 912; 426/438,
426/441, 523

See application file for complete search history.

(56) **References Cited**

U.S. PATENT DOCUMENTS

D286,494	S	*	11/1986	Lastuck	D7/363
4,930,491	A	*	6/1990	Purello	126/332
5,355,779	A	*	10/1994	O'Brien et al.	99/446
5,524,528	A	*	6/1996	Yeh	99/446
D380,342	S	*	7/1997	Edmonds	D7/363
5,884,555	A	*	3/1999	Chang	99/425
D412,808	S	*	8/1999	Hinton et al.	D7/362
D415,927	S	*	11/1999	Weber	D7/363
6,024,014	A	*	2/2000	Kasai	99/425
D431,152	S	*	9/2000	Lee	D7/362
D432,852	S	*	10/2000	Mosher et al.	D7/337
D441,250	S	*	5/2001	Choi	D7/362
D473,419	S	*	4/2003	Garman	D7/363
D484,737	S	*	1/2004	Bodum	D7/337
D503,067	S	*	3/2005	Lubowicki	D7/362
D505,044	S	*	5/2005	Hei	D7/363
D514,876	S	*	2/2006	Simond	D7/363
D523,688	S	*	6/2006	Karam	D7/365
D568,095	S	*	5/2008	De' Longhi	D7/362
D588,399	S	*	3/2009	Vrbaneck	D7/359
D610,394	S	*	2/2010	Bodum	D7/362

(Continued)

Primary Examiner — Ricky Pham

(74) *Attorney, Agent, or Firm* — Flaster/Greenberg P.C.

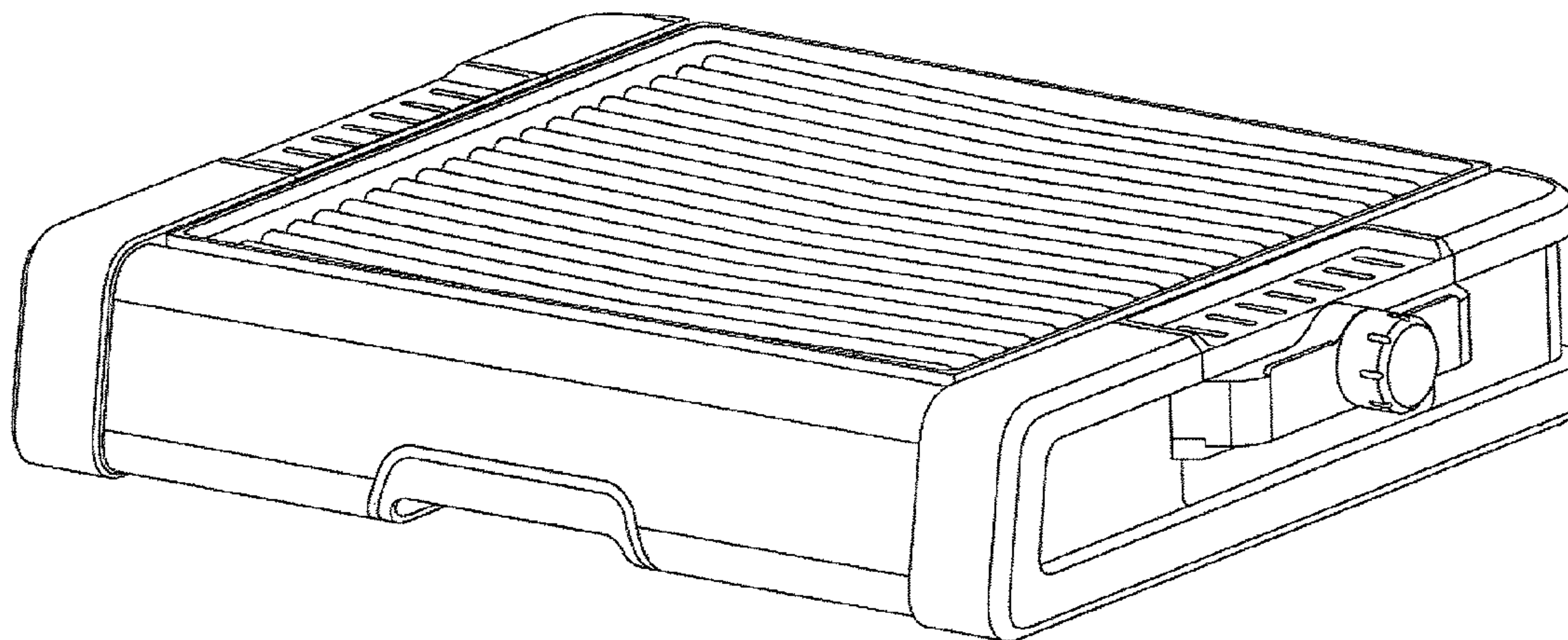
(57) **CLAIM**

The ornamental design for a grill, as shown and described.

DESCRIPTION

FIG. 1 is a perspective view of the grill of the invention;
FIG. 2 is a front view of the grill of FIG. 1;
FIG. 3 is a back view of the grill of FIG. 1;
FIG. 4 is a right side view of the grill of FIG. 1;
FIG. 5 is a left side view of the grill of FIG. 1;
FIG. 6 is a top plan view of the grill of FIG. 1; and,
FIG. 7 is a bottom plan view of the grill of FIG. 1.

1 Claim, 7 Drawing Sheets



(56)

References Cited

U.S. PATENT DOCUMENTS

D618,047 S *	6/2010	Seymour	D7/367	
D644,059 S *	8/2011	Bodum	D7/363	* cited by examiner
D660,640 S *	5/2012	De'Longhi	D7/362	
D676,273 S *	2/2013	Liu	D7/362	
D685,605 S *	7/2013	Xin	D7/362	

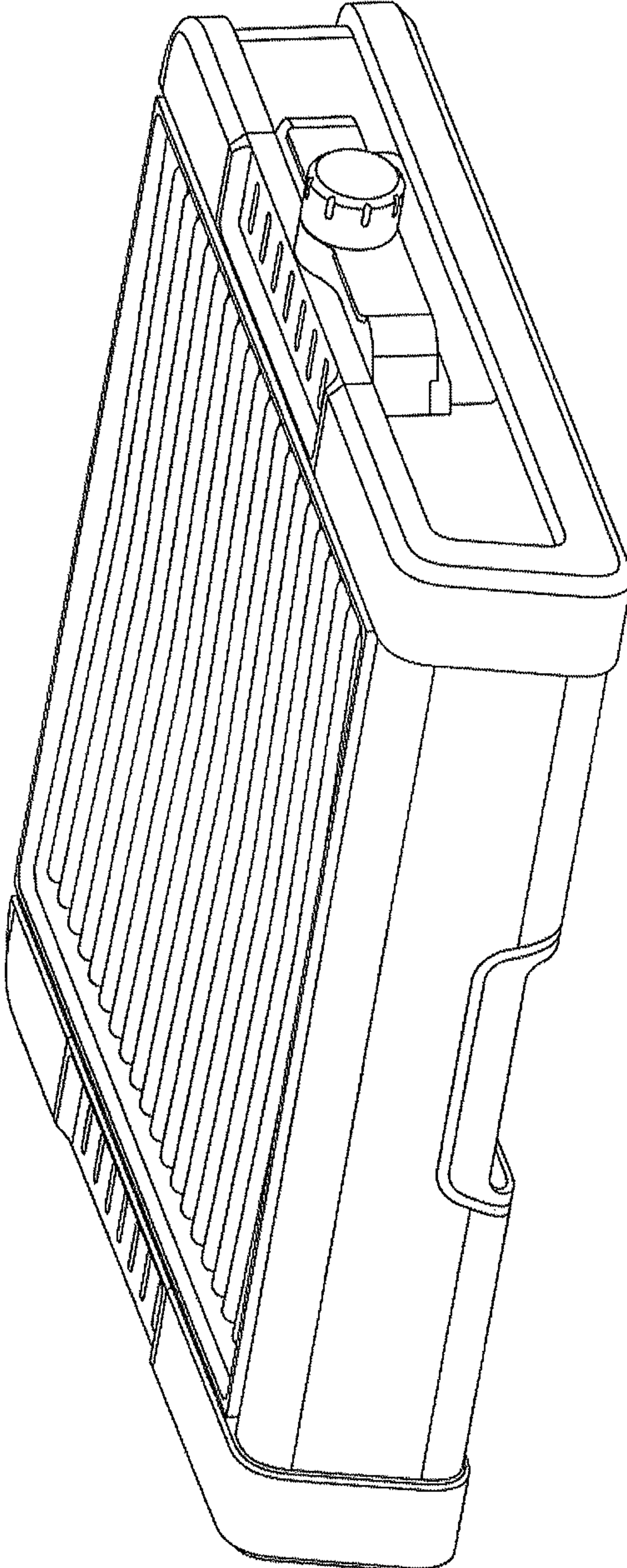


Fig. 1

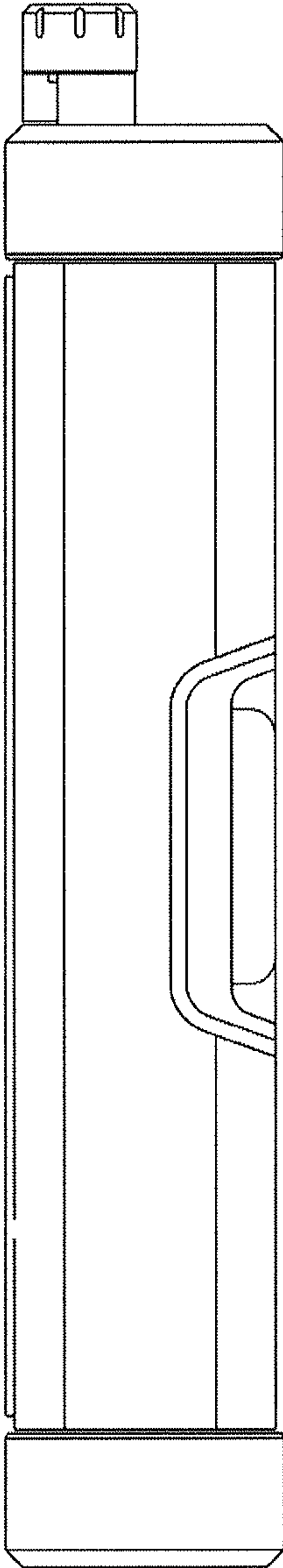


Fig. 2

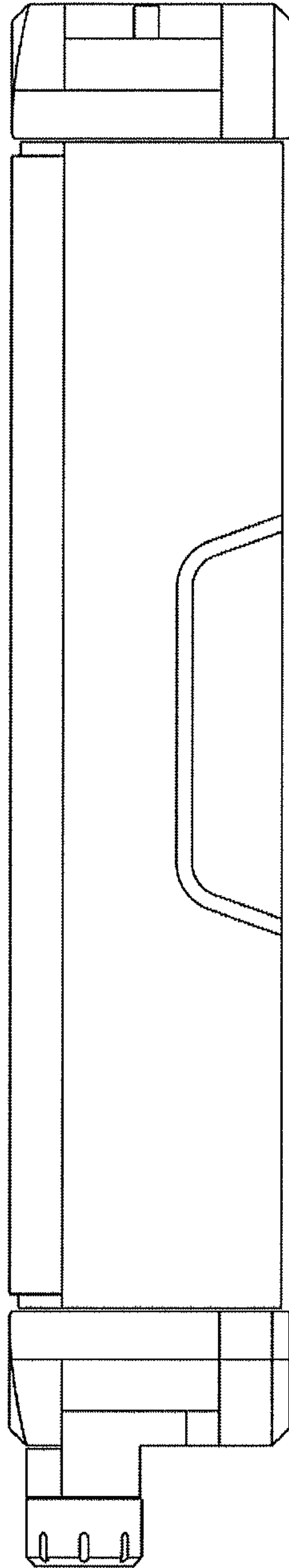


Fig. 3

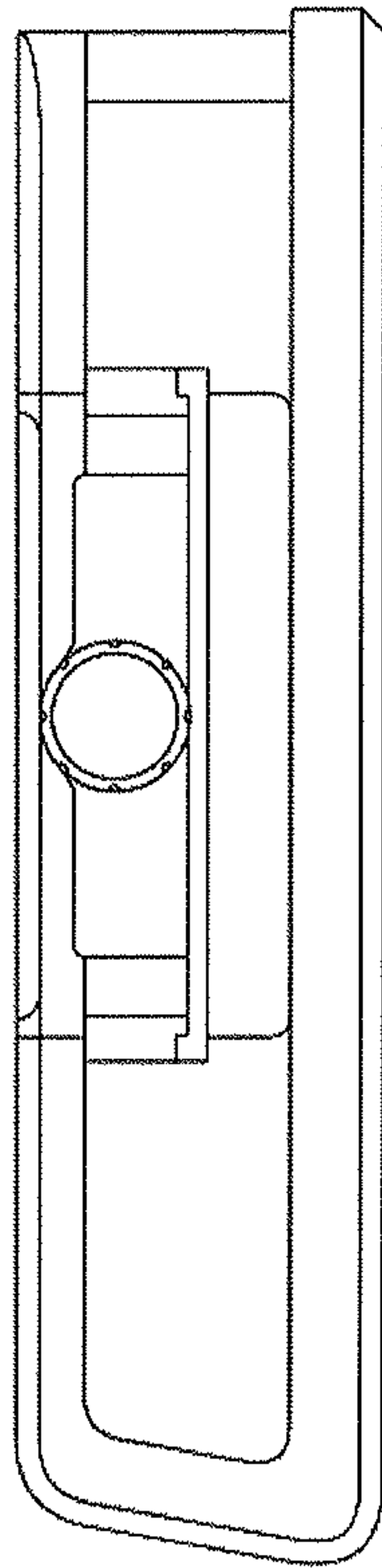


Fig. 4

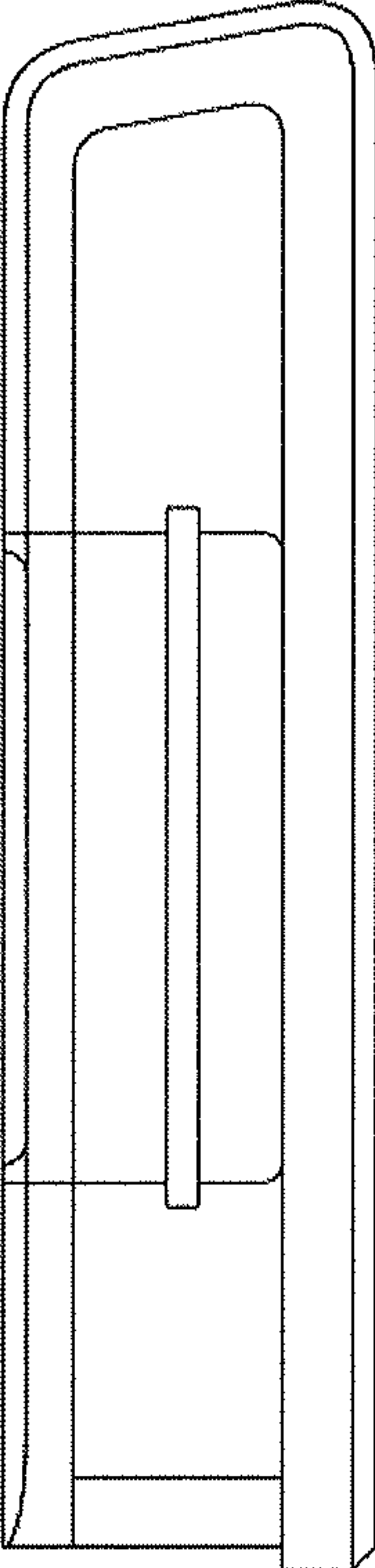


Fig. 5

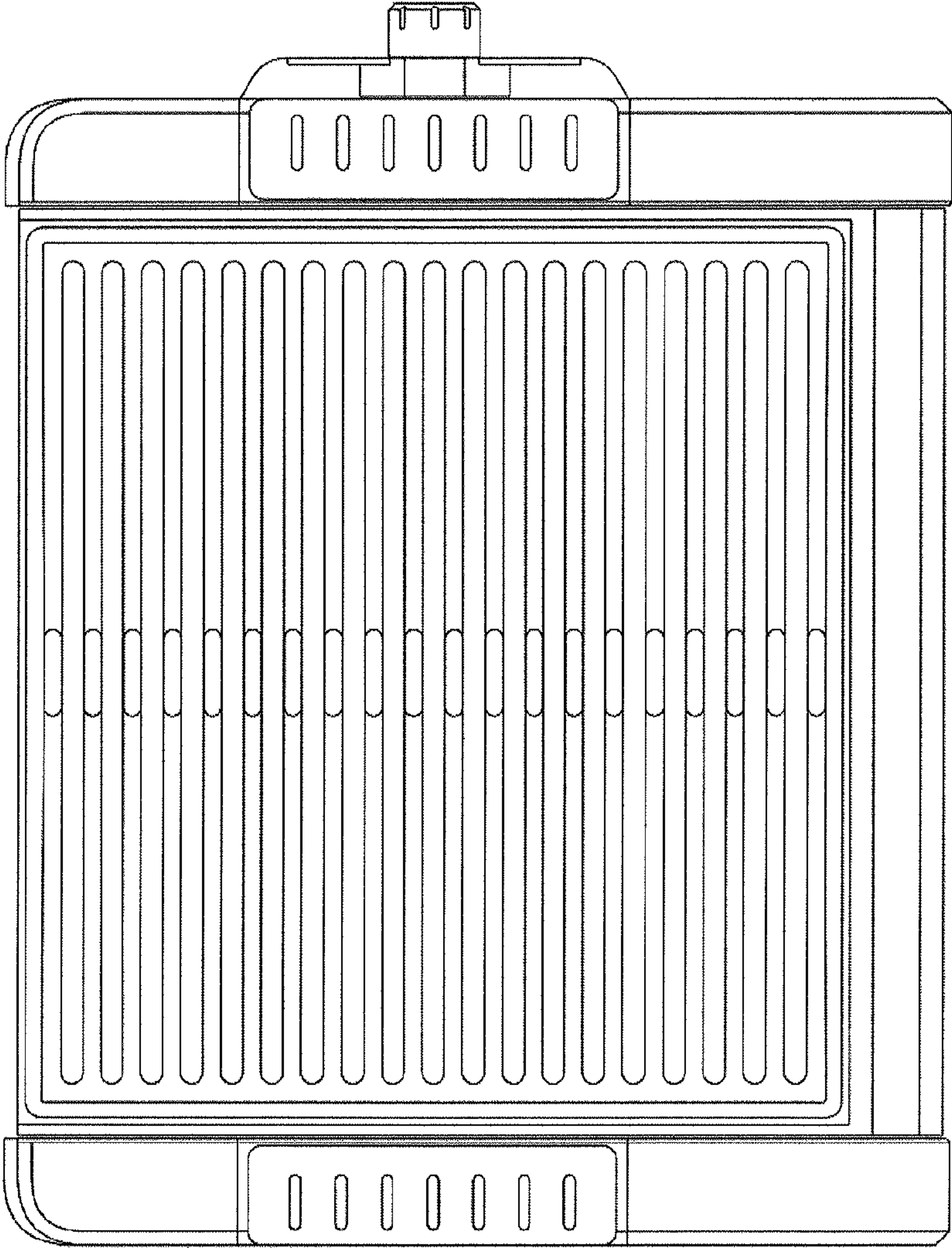


Fig. 6

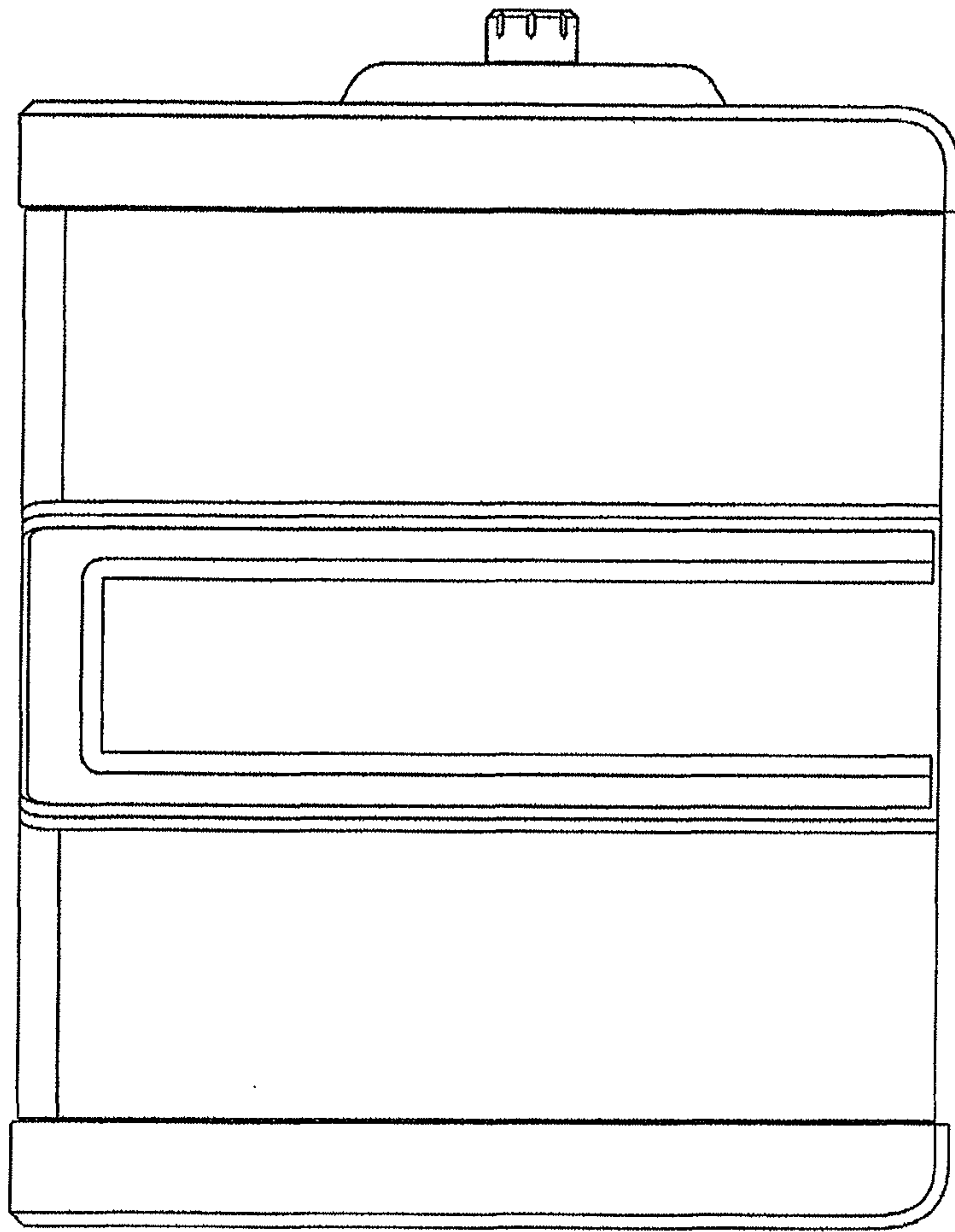


Fig. 7