



US00D711185S

(12) **United States Design Patent**
Bowden et al.

(10) **Patent No.:** **US D711,185 S**

(45) **Date of Patent:** **** Aug. 19, 2014**

(54) **GRILL PAN**

220/755-759, 912; 222/465.1, 470, 475.1

See application file for complete search history.

(71) Applicants: **Marilyn Bowden**, Chicago, IL (US);
Noah Wangerin, Glenview, IL (US)

(56) **References Cited**

(72) Inventors: **Marilyn Bowden**, Chicago, IL (US);
Noah Wangerin, Glenview, IL (US)

U.S. PATENT DOCUMENTS

(73) Assignee: **Weber-Stephen Products LLC**,
Palatine, IL (US)

D327,534	S	*	6/1992	Manville et al.	D23/261
D511,929	S	*	11/2005	Coppi	D7/359
D624,787	S	*	10/2010	Adams et al.	D7/409
D643,675	S	*	8/2011	Seymour	D7/363
D648,175	S	*	11/2011	Zemel	D7/409
D651,037	S	*	12/2011	Moodie et al.	D7/354
D658,427	S	*	5/2012	Cloutier et al.	D7/360
D671,355	S	*	11/2012	Zmrhal	D7/360
D672,604	S	*	12/2012	Upston et al.	D7/361
D677,974	S	*	3/2013	Cloutier	D7/361
D679,130	S	*	4/2013	Cloutier	D7/360
D697,751	S	*	1/2014	Schleinker	D7/361
D702,486	S	*	4/2014	Bowden et al.	D7/360

(**) Term: **14 Years**

(21) Appl. No.: **29/482,361**

(22) Filed: **Feb. 18, 2014**

Related U.S. Application Data

(62) Division of application No. 29/454,244, filed on May 8, 2013, now Pat. No. Des. 702,486.

* cited by examiner

(51) **LOC (10) Cl.** **07-02**

Primary Examiner — Ricky Pham

(52) **U.S. Cl.**
USPC **D7/360; D7/354**

(74) *Attorney, Agent, or Firm* — Niro Haller & Niro

(58) **Field of Classification Search**
CPC A47G 19/12; A47G 27/00; A47G 27/002;
A47G 27/08; A47G 27/21; A47G 27/58;
A47G 36/025; A47G 36/06; A47G 36/12;
A47G 37/00; A47G 37/10; A47G 37/101;
A47G 37/103; A47G 37/12; A47G 37/1204;
A47G 45/061; A47G 45/071; A47G 45/08;
H05B 6/12
USPC D7/323, 354-363, 391, 393-396, 409;
D23/261; 99/324, 331, 339-340, 403,
99/425-426, 444-445; 126/373.1,
126/383.1-384.1, 390.1; 219/438-439,
219/620-622; 220/573.1-573.5, 752-753,

(57) **CLAIM**

The ornamental design for a grill pan, as shown and described.

DESCRIPTION

FIG. 1 is a perspective view of a grill pan;
FIG. 2 is a front view of the grill pan, the rear view being the mirror image thereof, and,
FIG. 3 is a right side view of the grill pan, the left side view being the mirror image thereof.

1 Claim, 2 Drawing Sheets

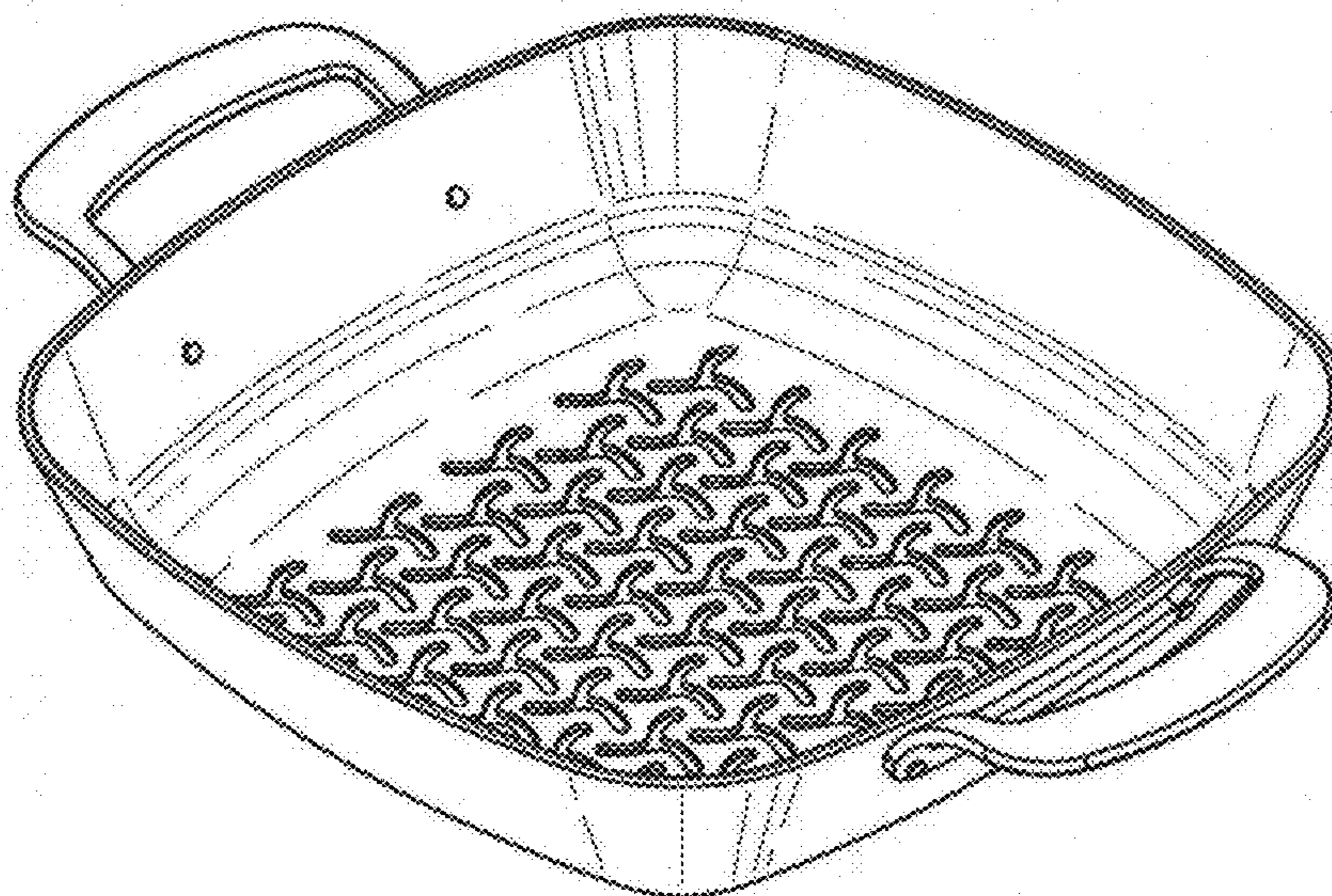


FIG. 1

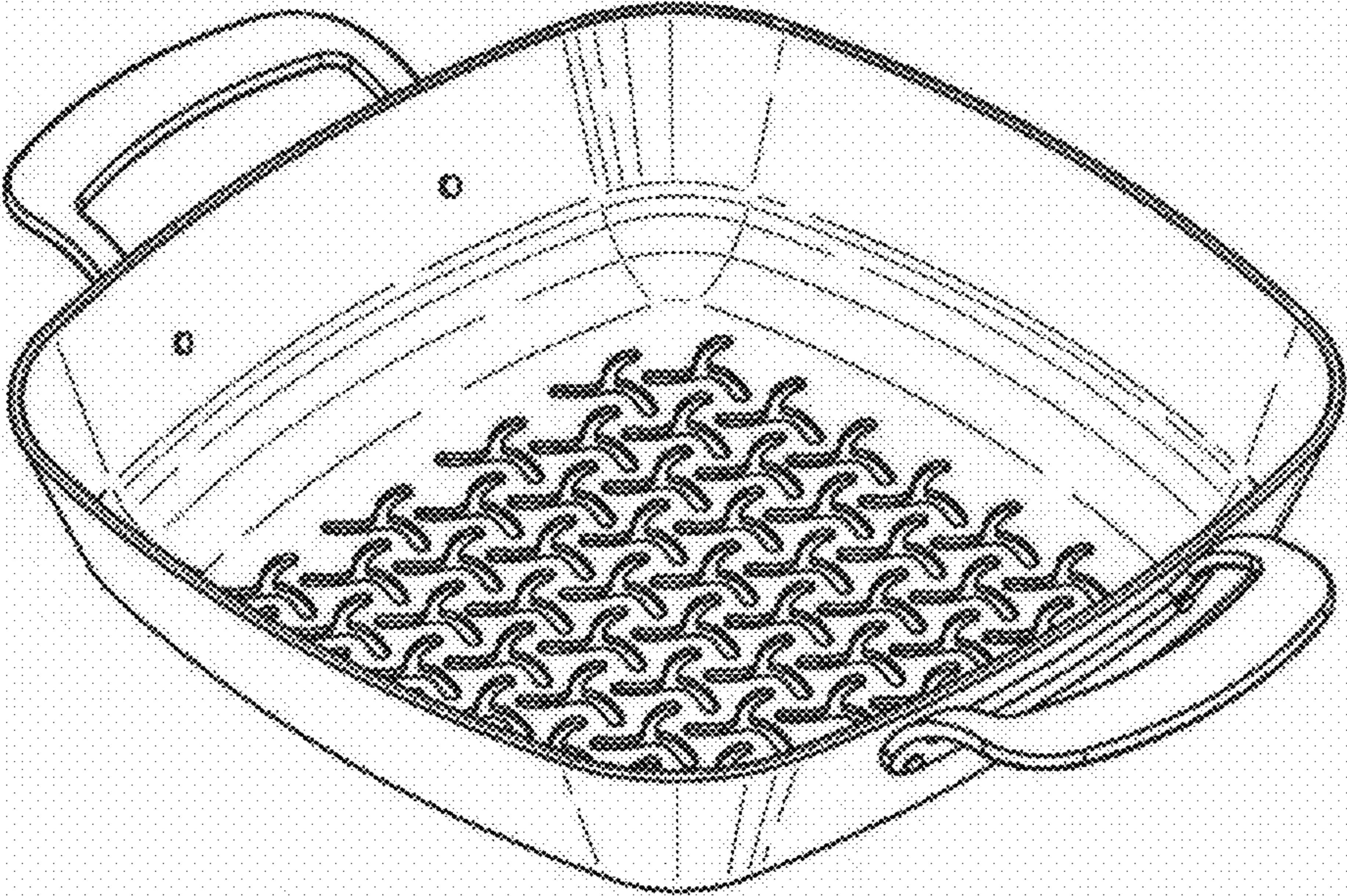


FIG. 2

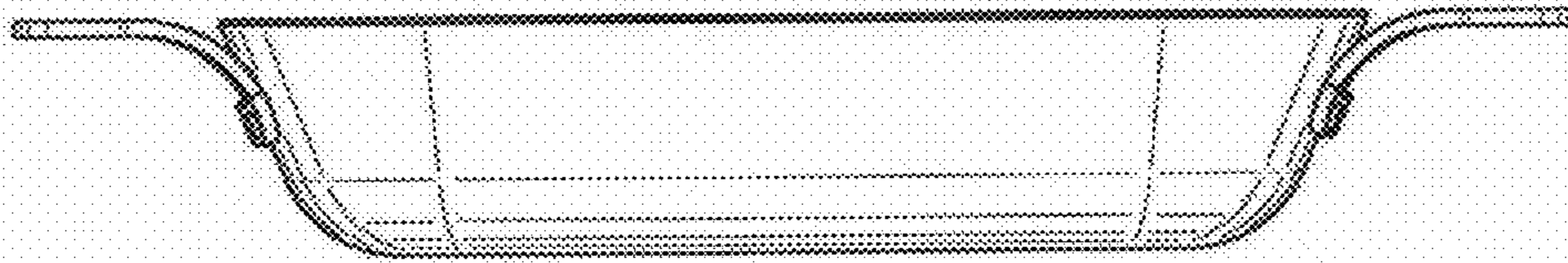


FIG. 3

