



US00D711182S

(12) **United States Design Patent**
Roussard et al.

(10) **Patent No.:** **US D711,182 S**
(45) **Date of Patent:** **** Aug. 19, 2014**

(54) **PRESSURE COOKER**

219/620-622; 220/203.01, 203.07, 303,
220/573.1-573.5, 752-753, 755-759, 912

(71) Applicant: **SEB**, Selongey (FR)

See application file for complete search history.

(72) Inventors: **Philippe Roussard**, Le Noyer (FR);
Zheng Zufu, Damayu Economic
Investment Zone (CN); **Jin Weiping**,
Damayu Economic Investment Zone
(CN)

(56) **References Cited**

U.S. PATENT DOCUMENTS

D143,693	S	*	1/1946	Zimmer	D7/358
D258,038	S	*	1/1981	Johnson	D7/358
D285,644	S	*	9/1986	Kitakaze et al.	D7/358
D370,381	S	*	6/1996	Roussard	D7/358
D413,483	S	*	9/1999	Roussard	D7/358
D418,007	S	*	12/1999	Bouhey et al.	D7/358
D476,191	S	*	6/2003	Josancy	D7/358
D581,206	S	*	11/2008	Roussard	D7/358
D594,694	S	*	6/2009	Pino et al.	D7/354
D610,393	S	*	2/2010	Josancy	D7/358
D641,203	S	*	7/2011	Josancy	D7/358
2009/0101643	A1	*	4/2009	Rhetat et al.	220/203.01
2013/0019759	A1	*	1/2013	Tumenbatur et al.	99/337

(73) Assignee: **SEB**, Selongey (FR)

(**) Term: **14 Years**

(21) Appl. No.: **29/465,569**

(22) Filed: **Aug. 29, 2013**

(30) **Foreign Application Priority Data**

Mar. 1, 2013 (EM) 002194381-0001

(51) **LOC (10) Cl.** **07-02**

(52) **U.S. Cl.**
USPC **D7/358**; D7/354

(58) **Field of Classification Search**
CPC A47J 27/00; A47J 27/004; A47J 27/08;
A47J 27/0802; A47J 27/0804; A47J 27/0811;
A47J 27/0813; A47J 27/0815; A47J 27/0817;
A47J 27/084; A47J 27/09; A47J 27/092;
A47J 36/025; A47J 36/06; A47J 37/12;
A47J 37/1204; A47J 37/1209; A47J 45/07;
A47J 45/071; A47J 45/074; A47J 45/08;
B01D 2201/345; B01J 3/03; B01J 3/04;
F01P 2011/0247; F01P 2011/0252; H05B
6/00; H05B 6/02; H05B 6/06
USPC D7/354-361, 391, 393; 99/324,
99/336-339, 403, 425-426, 467; 126/348,
126/384.1, 390.1; 219/401, 440-441,

* cited by examiner

Primary Examiner — Ricky Pham

(74) *Attorney, Agent, or Firm* — The Webb Law Firm

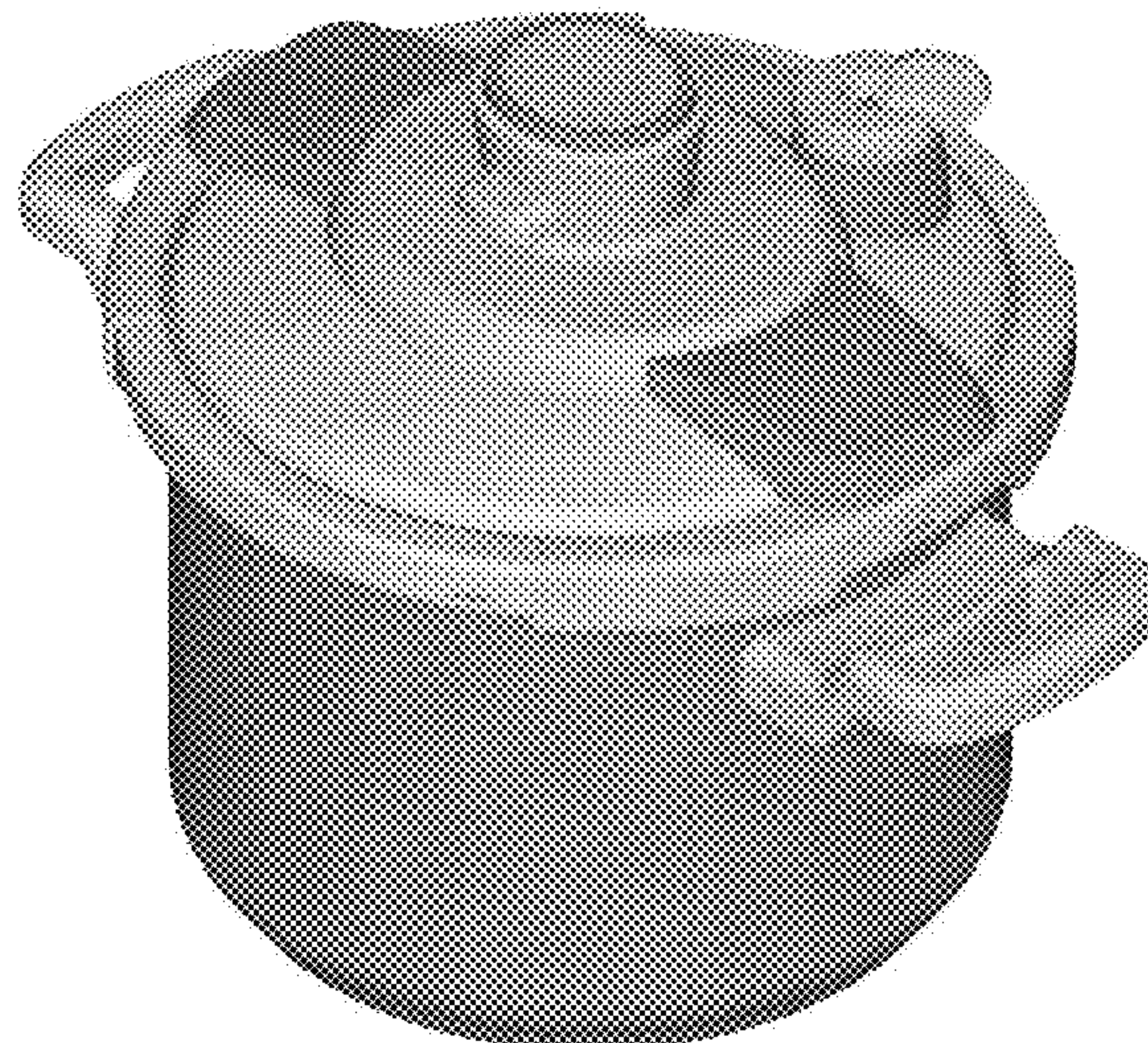
(57) **CLAIM**

The ornamental design for a pressure cooker, as shown and described.

DESCRIPTION

FIG. 1 is an upper left front perspective view of a pressure cooker, showing our new design;
FIG. 2 is a front view thereof;
FIG. 3 is a rear view thereof;
FIG. 4 is a right side view thereof;
FIG. 5 is a left side view thereof;
FIG. 6 is a top view thereof; and,
FIG. 7 is a bottom view thereof.

1 Claim, 7 Drawing Sheets



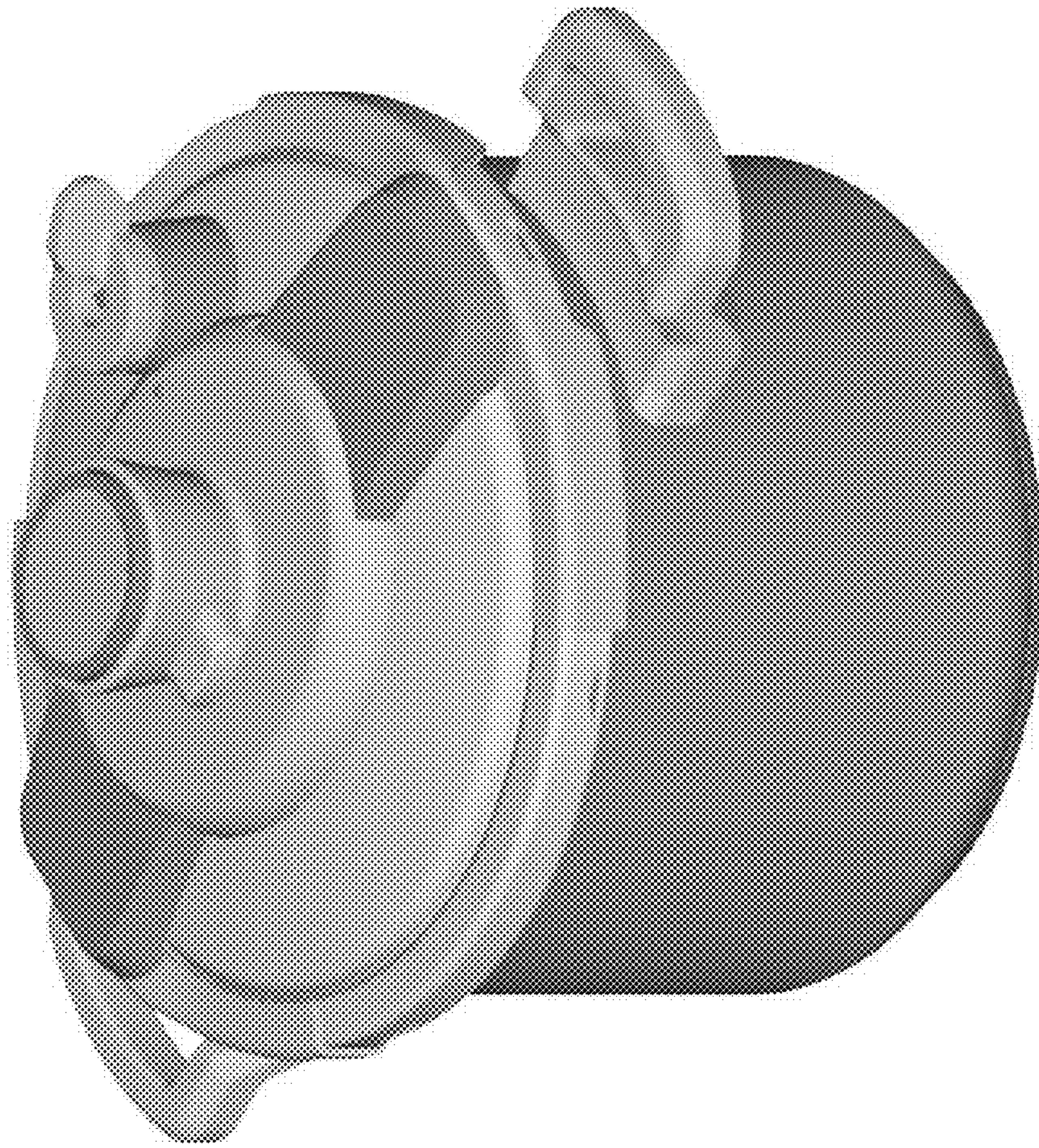


FIG. 1

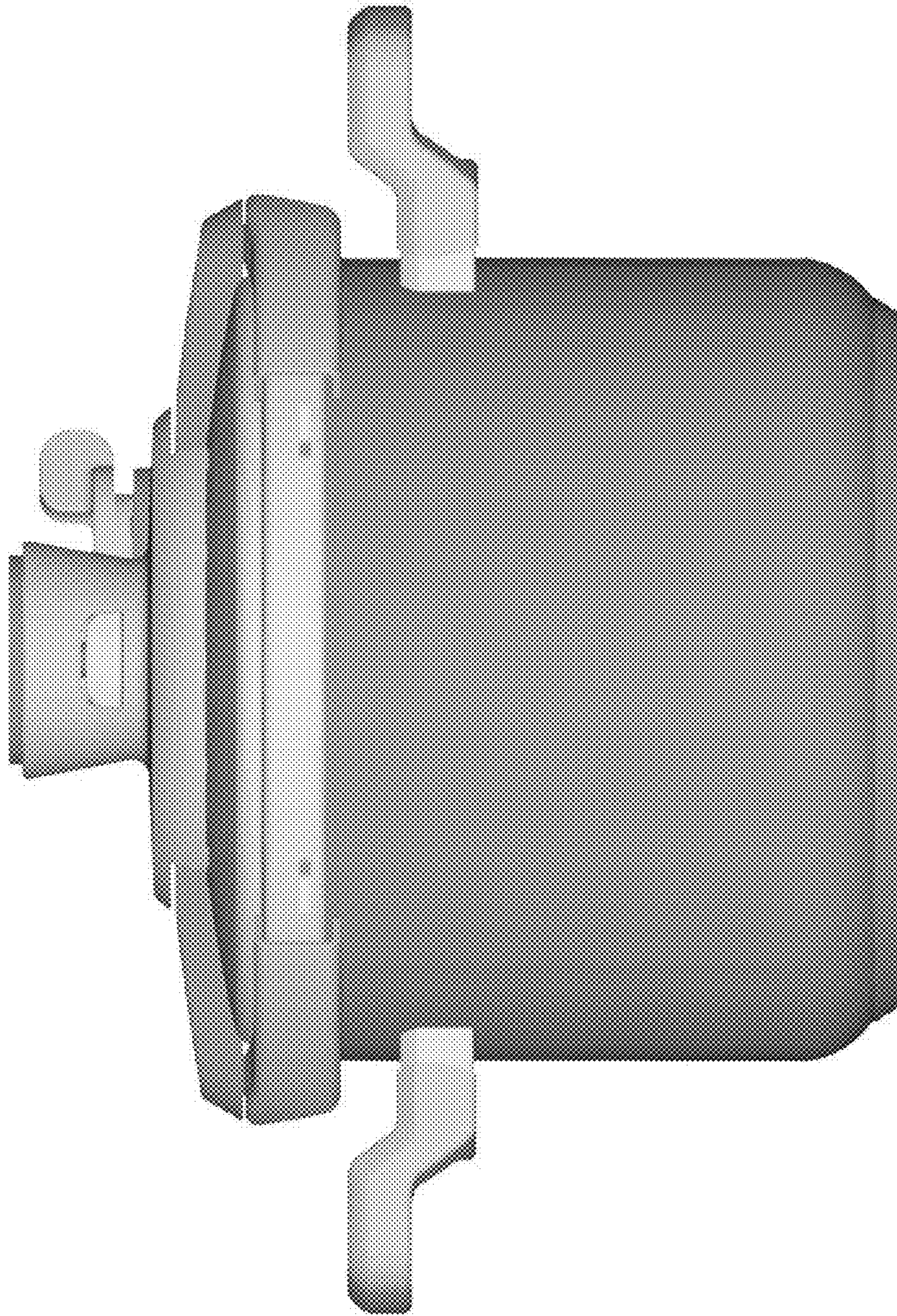


FIG. 2

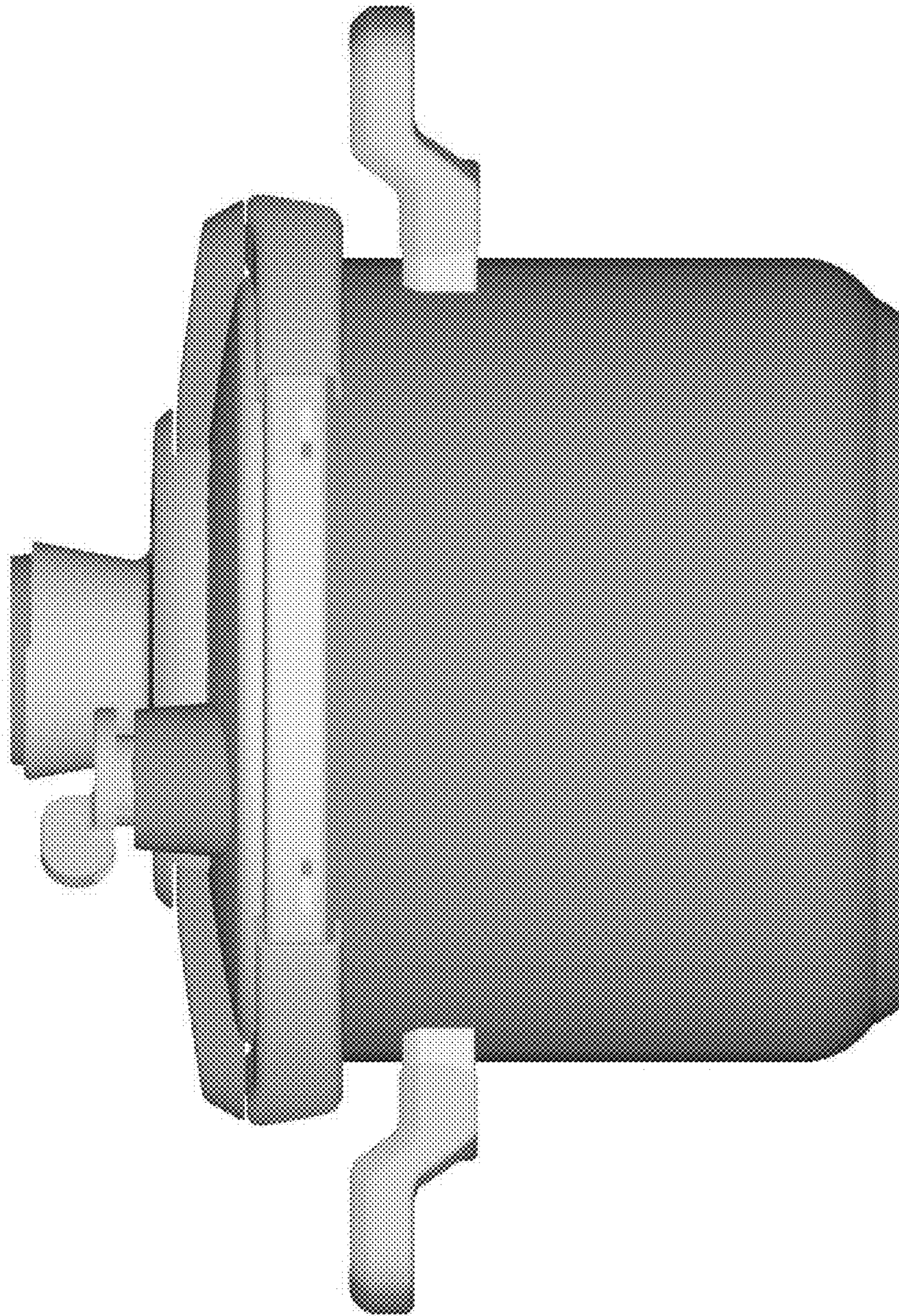


FIG. 3

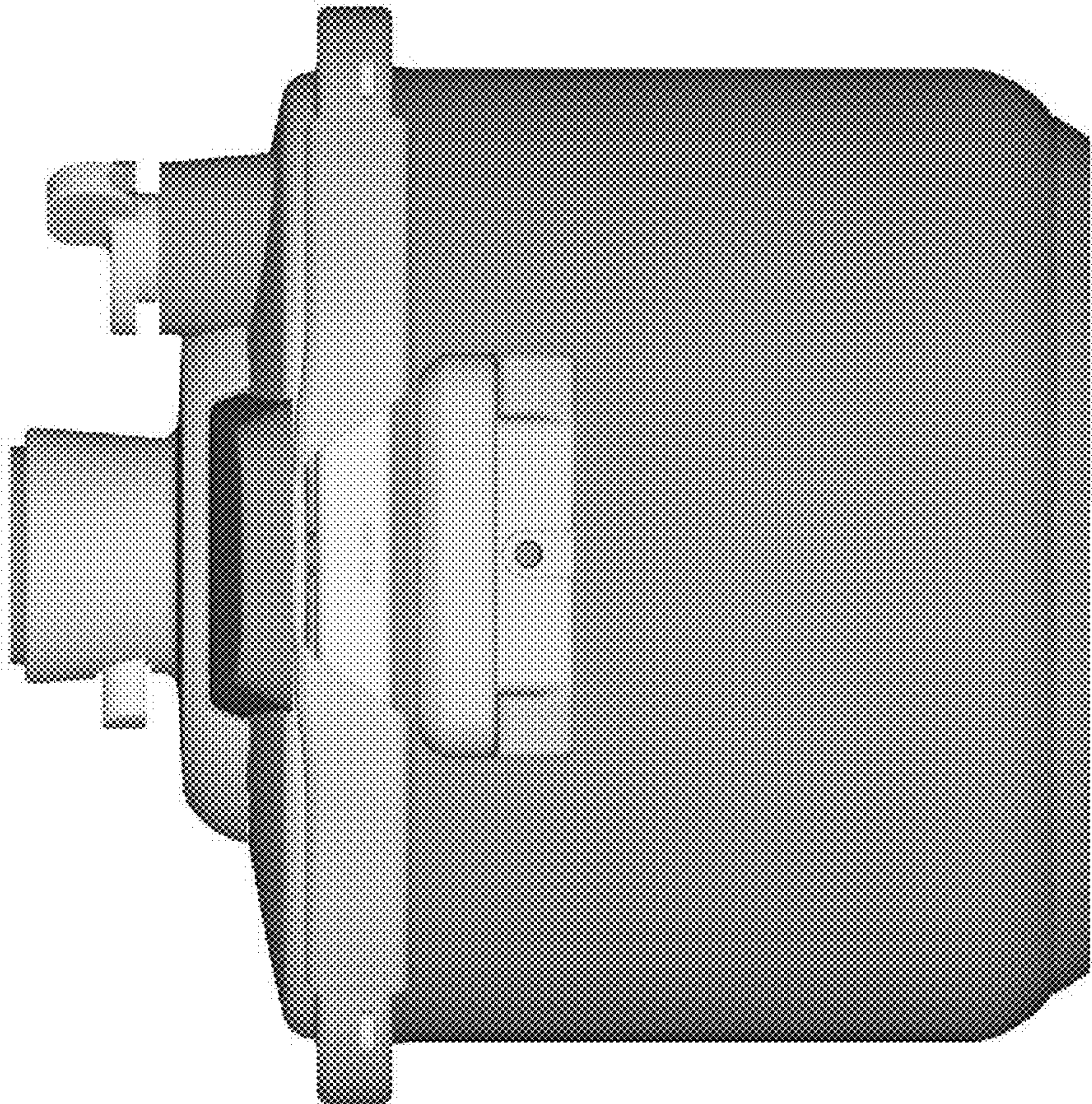


FIG. 4

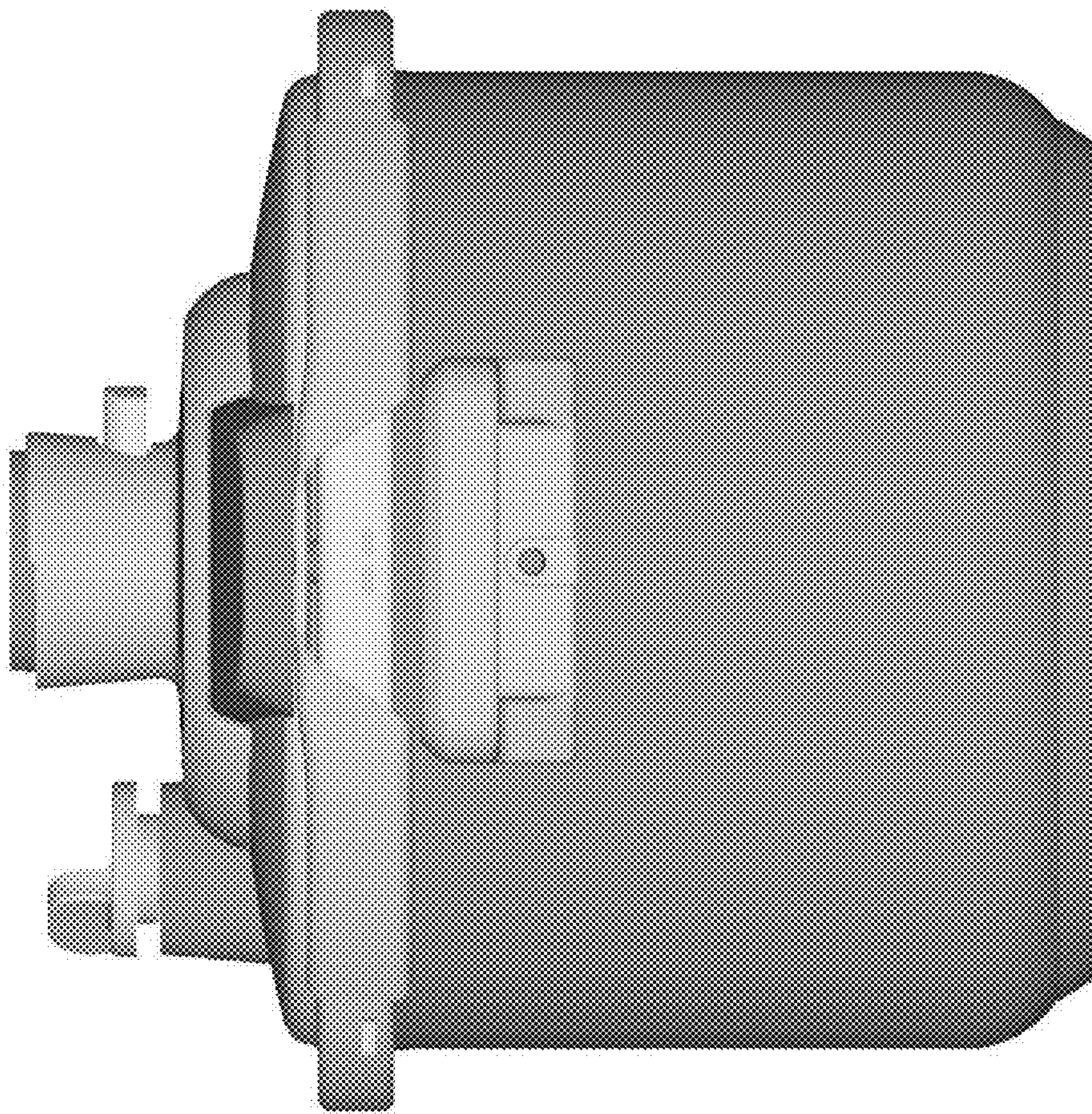


FIG. 5

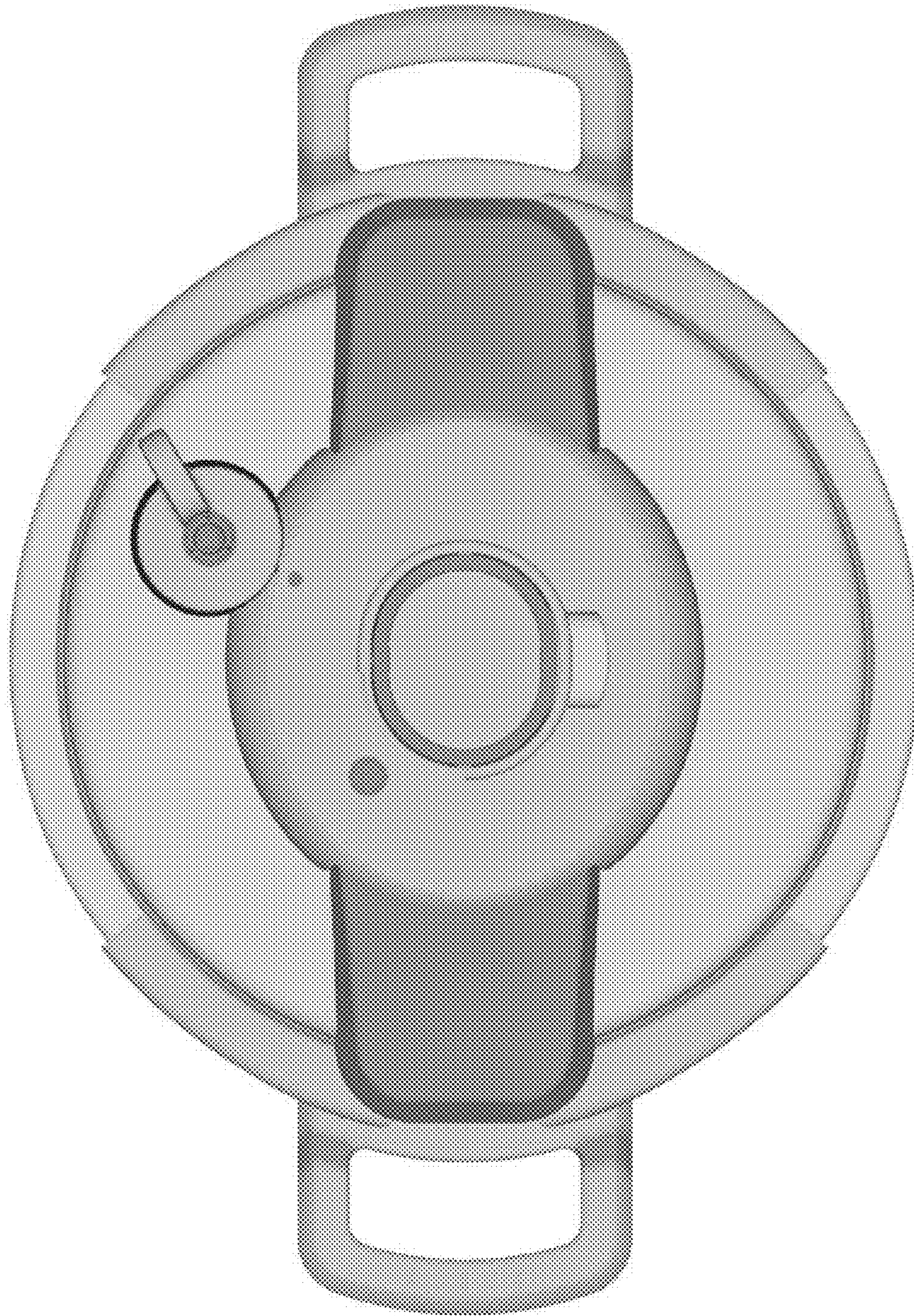


FIG. 6

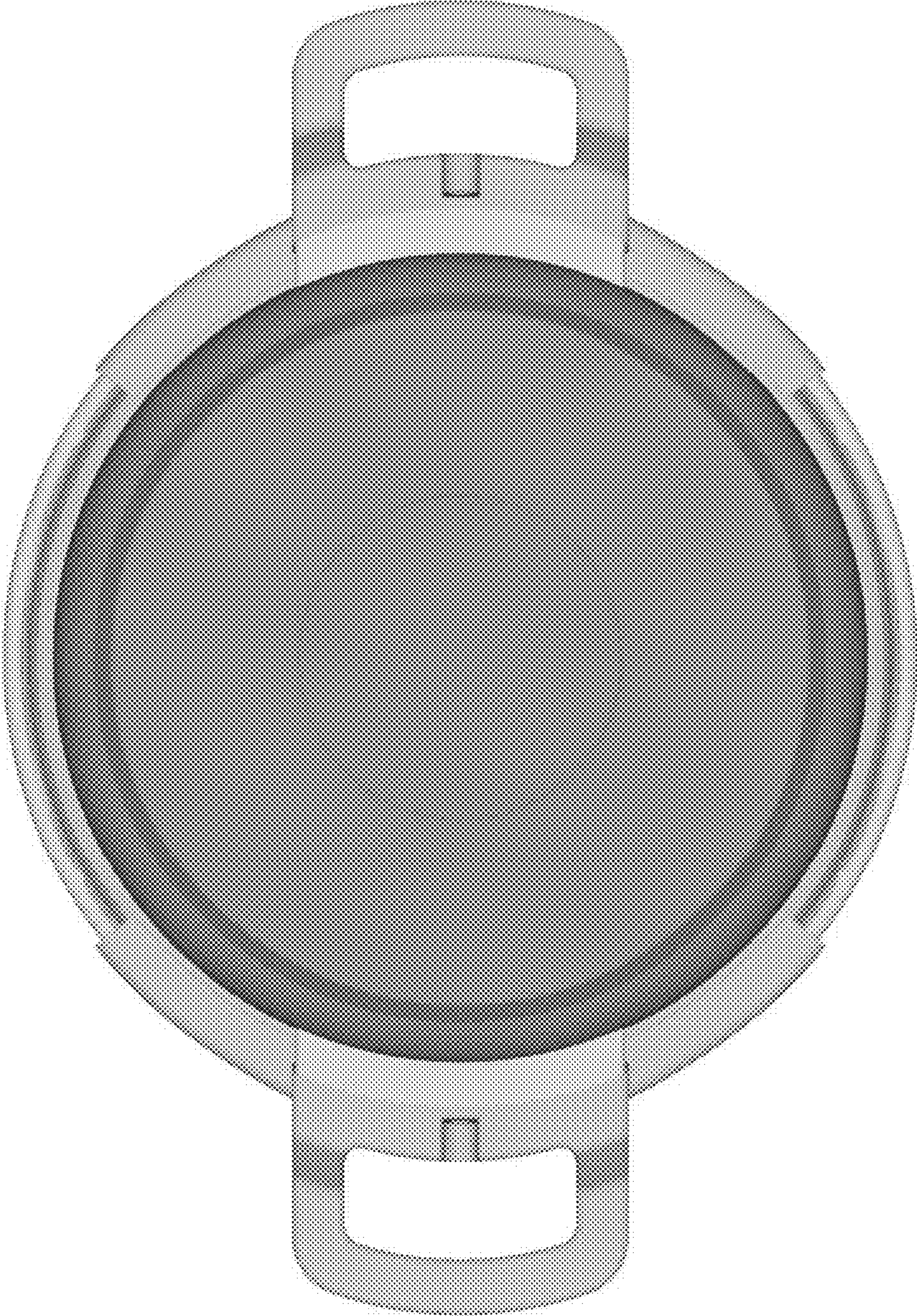


FIG. 7