



US00D711177S

(12) **United States Design Patent**
Biter et al.

(10) **Patent No.:** **US D711,177 S**
(45) **Date of Patent:** **** Aug. 19, 2014**

(54) **BED END**

FOREIGN PATENT DOCUMENTS

(71) Applicant: **Invacare Corporation**, Elyria, OH (US)
(72) Inventors: **Jason Biter**, Medina, OH (US); **Kevin Wysocki**, Grafton, OH (US)

GB 855930 12/1960
JP 2002-327919 11/2002
WO 2004037043 5/2004
WO 2005044053 5/2005

(73) Assignee: **Invacare Corporation**, Elyria, OH (US)

OTHER PUBLICATIONS

(**) Term: **14 Years**

Invacare; Electric and Manual Beds; Service Manual; Form No. 93-152;P/N 51000M493: Rev. H (3) 599.

(21) Appl. No.: **29/448,919**

(Continued)

(22) Filed: **Mar. 14, 2013**

Primary Examiner — Janice Seeger

(51) **LOC (10) Cl.** **06-06**

(74) *Attorney, Agent, or Firm* — Calfee, Halter & Griswold LLP

(52) **U.S. Cl.**
USPC **D6/718.22**

(58) **Field of Classification Search**
USPC D6/382, 389, 392-395, 718, 718.13,
D6/718.2, 718.22; 5/53.1, 907, 279.1, 280,
5/281, 658, 663, 424, 285

(57) **CLAIM**

We claim the ornamental design for a bed end, as shown and described.

See application file for complete search history.

DESCRIPTION

(56) **References Cited**

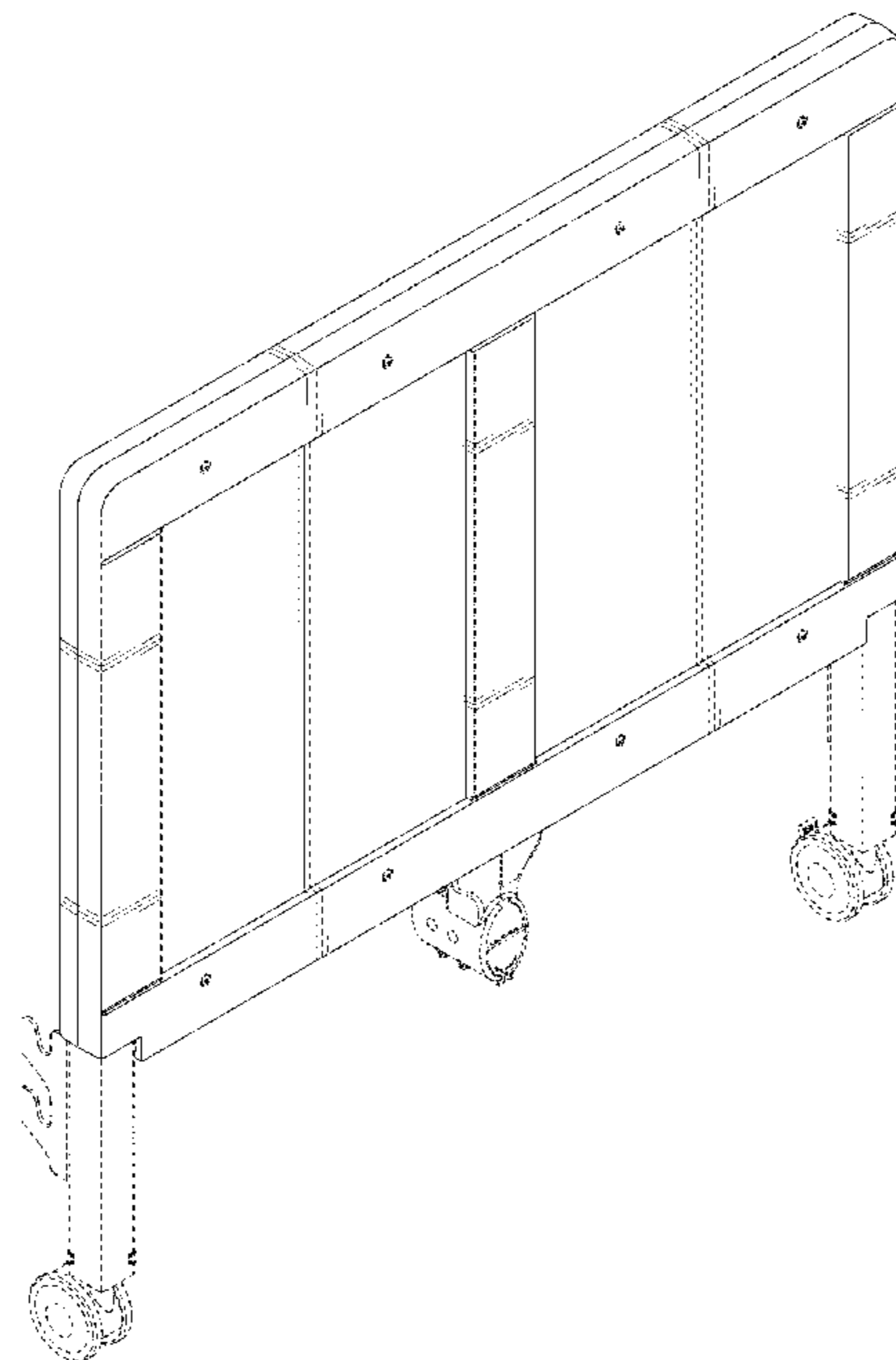
FIG. 1 is a front perspective view of a bed end of the new design;
FIG. 2 is a right side elevational view of the bed end of FIG. 1;
FIG. 3 is a front elevational view of the bed end of FIG. 1;
FIG. 4 is a left side elevational view of the bed end of FIG. 1;
FIG. 5 is a rear elevational view of the bed end of FIG. 1;
FIG. 6 is a top plan view of the bed end of FIG. 1; and,
FIG. 7 is a bottom plan view of the bed end of FIG. 1.
The portions of the Figures shown in broken lines are for illustrative purpose only and form no part of the claimed design.

U.S. PATENT DOCUMENTS

166,102 A	7/1875	Hennanan et al.	
1,275,695 A	8/1918	Iverson	
D106,301 S *	10/1937	Krick	D6/505
2,522,759 A	9/1950	Lindquist	
2,791,129 A	5/1957	Russell	
2,958,438 A	11/1960	Severson	
3,015,113 A	1/1962	Wallen	
3,105,246 A	10/1963	Emrick	
3,669,440 A	6/1972	Kartasuk et al.	
4,364,282 A	12/1982	Nilsson	
4,660,236 A	4/1987	Peterson	

(Continued)

1 Claim, 4 Drawing Sheets



(56)

References Cited

OTHER PUBLICATIONS

U.S. PATENT DOCUMENTS

4,846,011 A 7/1989 Gaffney
 5,134,731 A 8/1992 Quintile et al.
 D370,135 S * 5/1996 Meiners D6/382
 5,685,035 A 11/1997 Urness et al.
 5,704,249 A 1/1998 Krauska
 5,713,091 A 2/1998 Houchin
 5,802,639 A 9/1998 Raasch et al.
 5,964,347 A 10/1999 Urness
 6,000,077 A 12/1999 Cyr
 6,230,344 B1 5/2001 Thompson et al.
 6,983,495 B2 1/2006 Snyder et al.
 6,997,082 B2 2/2006 Snyder et al.
 D528,323 S * 9/2006 Kassai et al. D6/393
 7,302,716 B2 12/2007 Snyder et al.
 D640,889 S * 7/2011 Wahl et al. D6/505

Invacare—Part Catalog—Homecare Beds (Manual, Semi-Electric, Full Electric); Apr. 11, 2013; Form No. 90-147; 83 pages.
 IVC Bed Series—Owner’s Operator and Maintenance Manual; Full Electric Beds, Semi-Electric Beds, Manual Beds; Part No. 1114836; Rev F—Aug. 2008; 40 pages.
 Invacare Corporation—Product Catalog; webcite printout; “Universal Bed Ends;” http://www.invacare.com/cgi-bin/imhqprd/inv_search/search_redirect.jsp; 3 pages; copyright 2013.
 Invacare Corporation—Product Catalog; webcite printout; “Bed Ends;” [http://www.invacare.com/cgi-bin/imhqprd/inv_search/search_results_products.jsp?s=\)&s..](http://www.invacare.com/cgi-bin/imhqprd/inv_search/search_results_products.jsp?s=)&s..); 3 pages; copyright 2013.

* cited by examiner

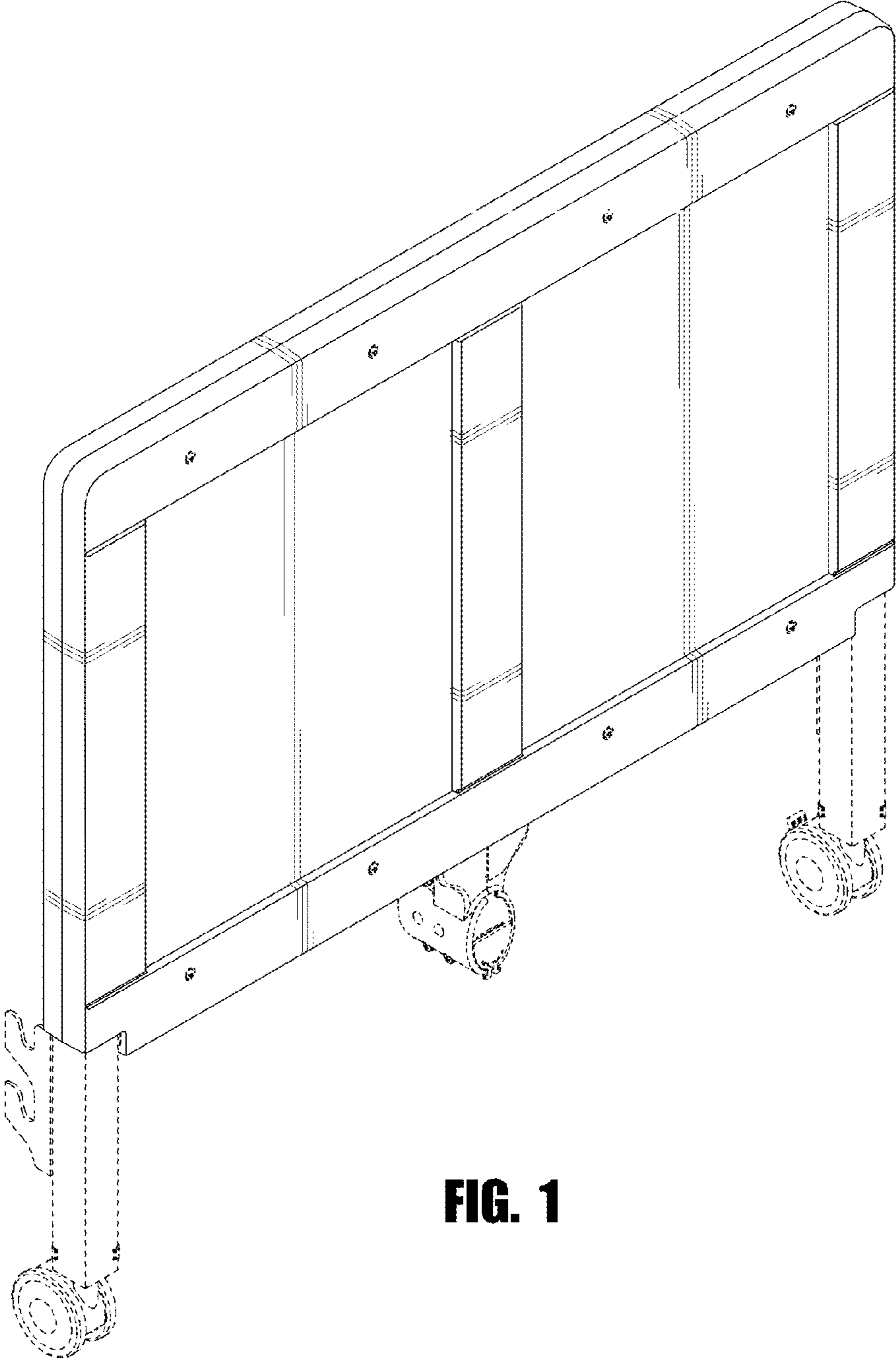


FIG. 1

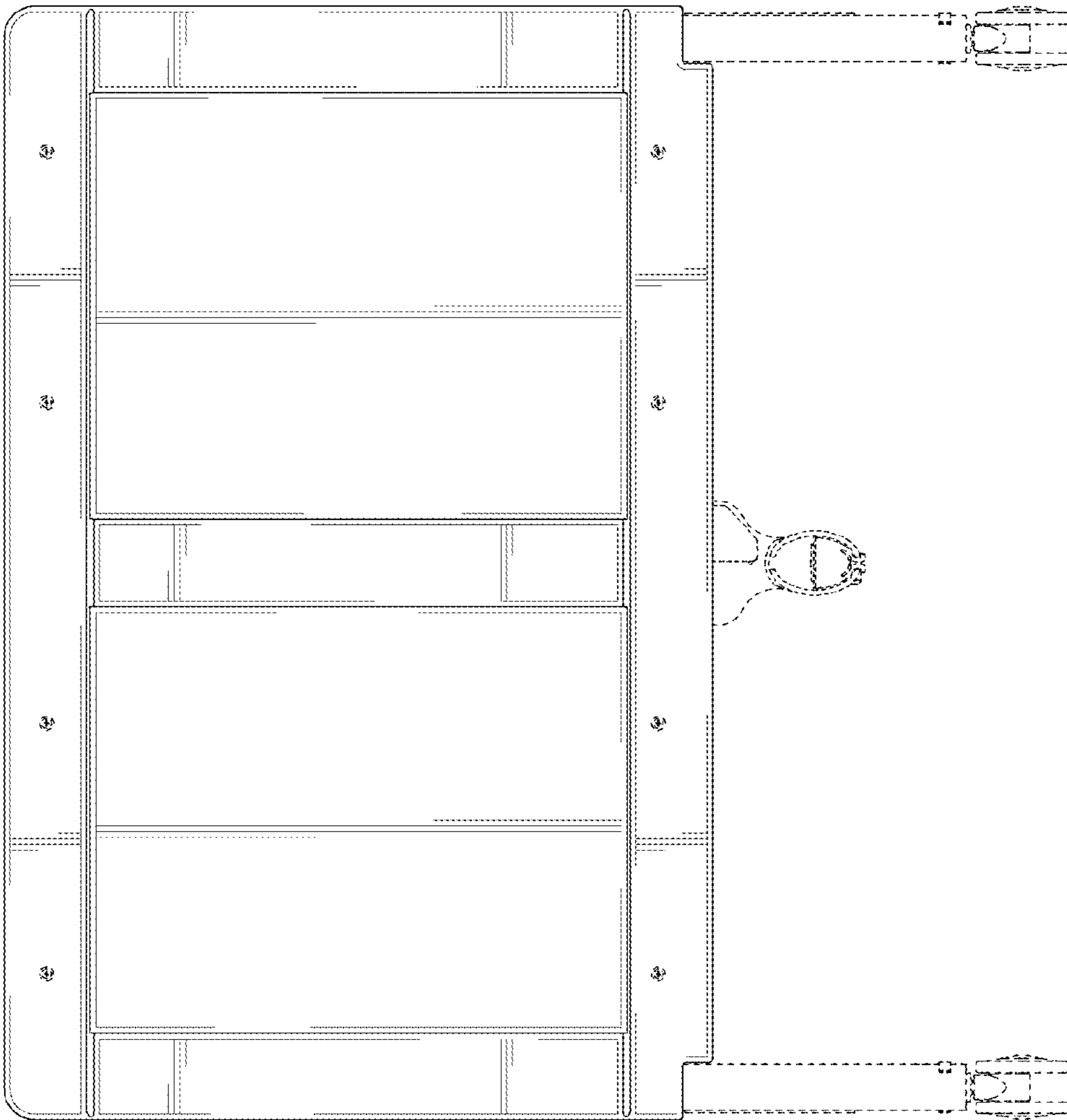


FIG. 3

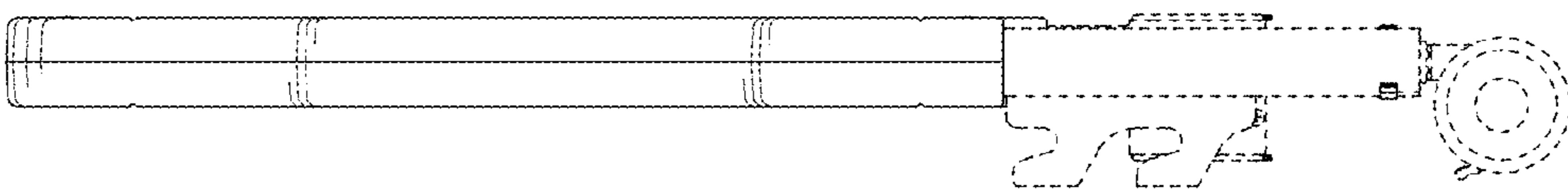


FIG. 2

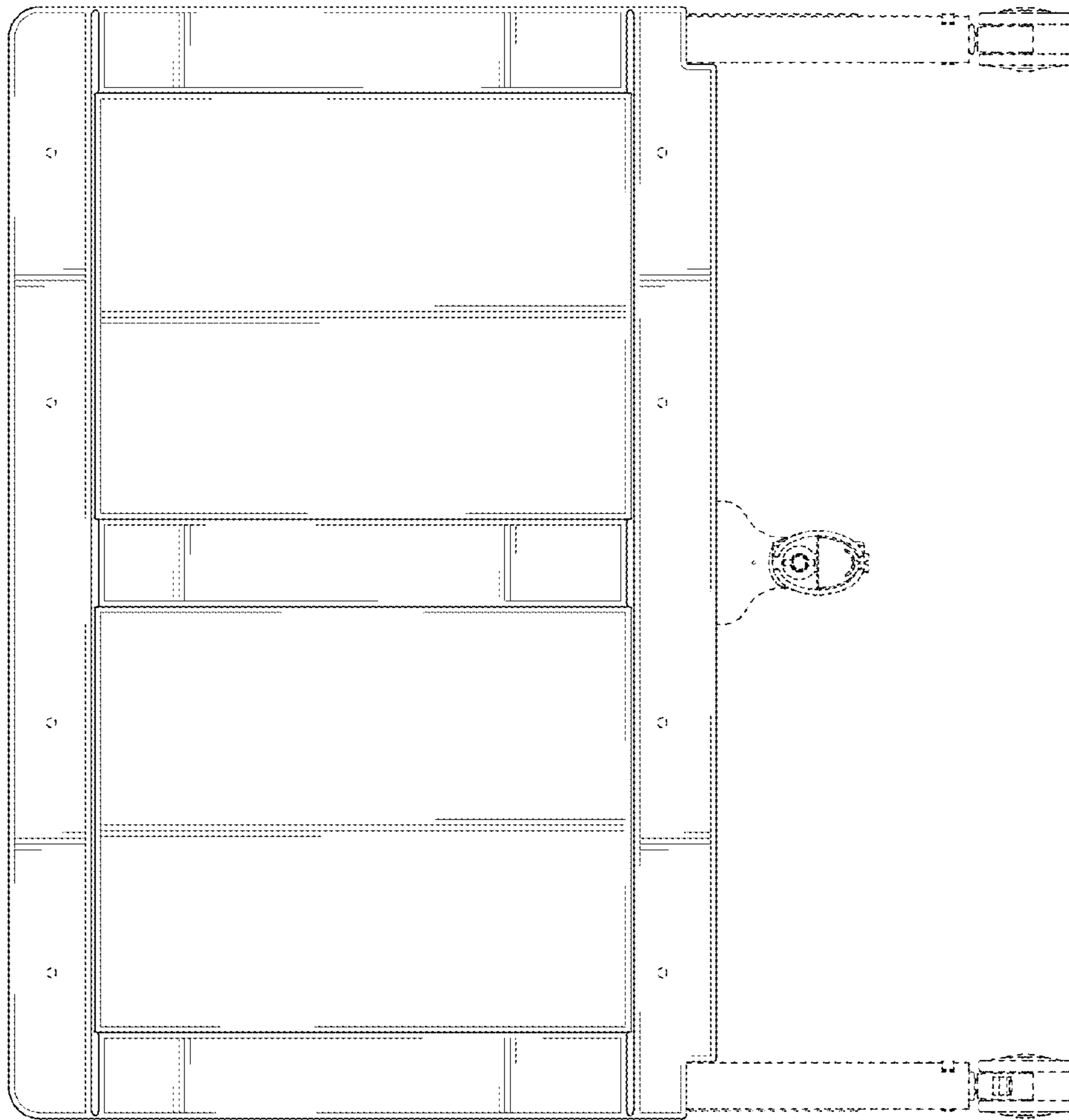


FIG. 4

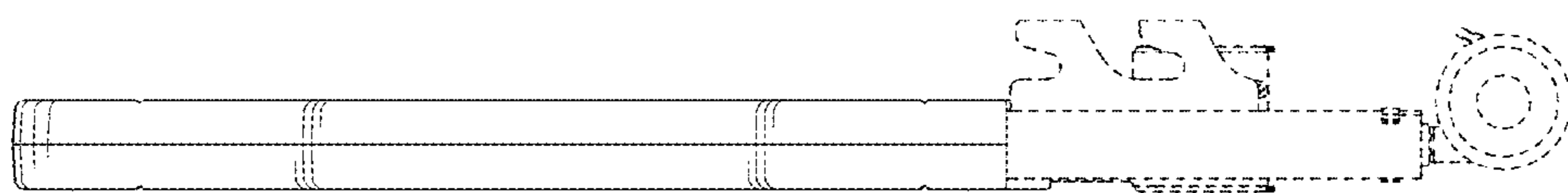


FIG. 5

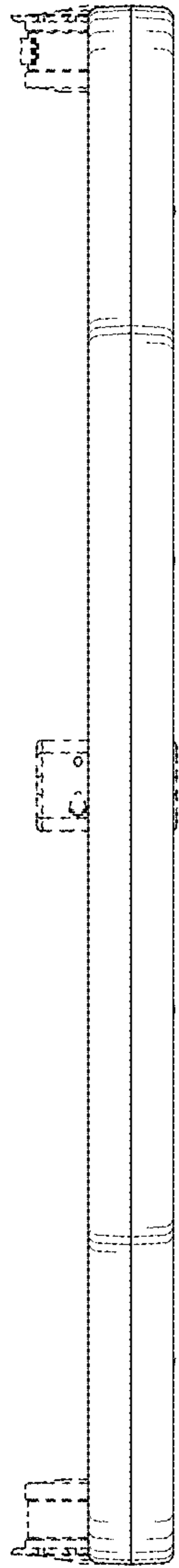


FIG. 6

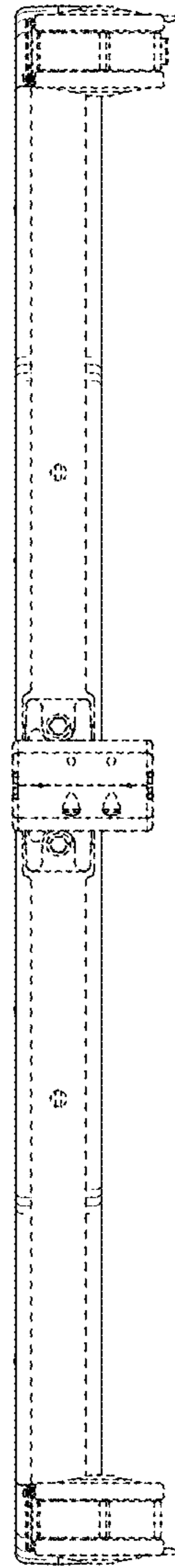


FIG. 7