



US00D711176S

(12) **United States Design Patent**
Skalka

(10) **Patent No.:** **US D711,176 S**

(45) **Date of Patent:** **** Aug. 19, 2014**

- (54) **END FRAME FOR A BENCH**
- (71) Applicant: **Victor Stanley, Inc.**, Dunkirk, MD (US)
- (72) Inventor: **Gerald P. Skalka**, Potomac, MD (US)
- (73) Assignee: **Victor Stanley, Inc.**, Dunkirk, MD (US)
- (**) Term: **14 Years**

D526,514 S *	8/2006	Hughes	D6/492
D526,518 S *	8/2006	Schiefer et al.	D6/501
D528,831 S *	9/2006	Rizzi	D6/500
D532,630 S *	11/2006	Rizzi	D6/500
D534,021 S *	12/2006	Rizzi	D6/500
D571,581 S *	6/2008	Weimer et al.	D6/492
D572,048 S *	7/2008	Weimer et al.	D6/492
D572,947 S *	7/2008	Weimer et al.	D6/492
D578,808 S *	10/2008	Pappas	D6/495
D579,685 S *	11/2008	Skalka	D6/381

(Continued)

(21) Appl. No.: **29/477,393**

(22) Filed: **Dec. 20, 2013**

(51) **LOC (10) Cl.** **06-01**

(52) **U.S. Cl.**
USPC **D6/717**

(58) **Field of Classification Search**
USPC D6/334–336, 355, 370–381, 388, 492,
D6/495, 500–502, 708, 716, 716.1–716.4,
D6/717; 297/232–233, 283.1–283.2,
297/445.1, 446.1, 448.1, 452.63
See application file for complete search history.

(56) **References Cited**

U.S. PATENT DOCUMENTS

D165,952 S *	2/1952	Weatherly	D6/375
D263,353 S *	3/1982	Beals	D6/370
D314,677 S *	2/1991	Hanna	D6/381
D408,660 S *	4/1999	Donnelly	D6/500
D419,004 S *	1/2000	Collins	D6/492
D419,341 S *	1/2000	Chipman	D6/492
D457,742 S *	5/2002	Arnold	D6/370
D458,475 S *	6/2002	Hecht et al.	D6/492
D467,101 S *	12/2002	Hughes	D6/495
D468,550 S *	1/2003	Pappas	D6/381
D473,063 S *	4/2003	Pappas	D6/381
D486,004 S *	2/2004	Haney et al.	D6/379
D509,675 S *	9/2005	Reza-Hadden	D6/381
D512,229 S *	12/2005	Reza-Hadden	D6/355
D513,893 S *	1/2006	Reza-Hadden	D6/355
D522,281 S *	6/2006	Schiefer et al.	D6/495
D522,282 S *	6/2006	Schiefer et al.	D6/495
D523,650 S *	6/2006	Skalka	
D525,809 S *	8/2006	Hughes	D6/492

OTHER PUBLICATIONS

“Homestead Series Model-8,” Victor Stanley, Inc. (2002).
“PRNSA-10 Production Series,” Victor Stanley, Inc. (Mar. 2005).
U.S. Notice of Allowance dated Apr. 16, 2014, issued in related
Design U.S. Appl. No. 29/458,004 (6 pages).

(Continued)

Primary Examiner — Ricky Pham
(74) *Attorney, Agent, or Firm* — Westerman, Hattori,
Daniels & Adrian, LLP

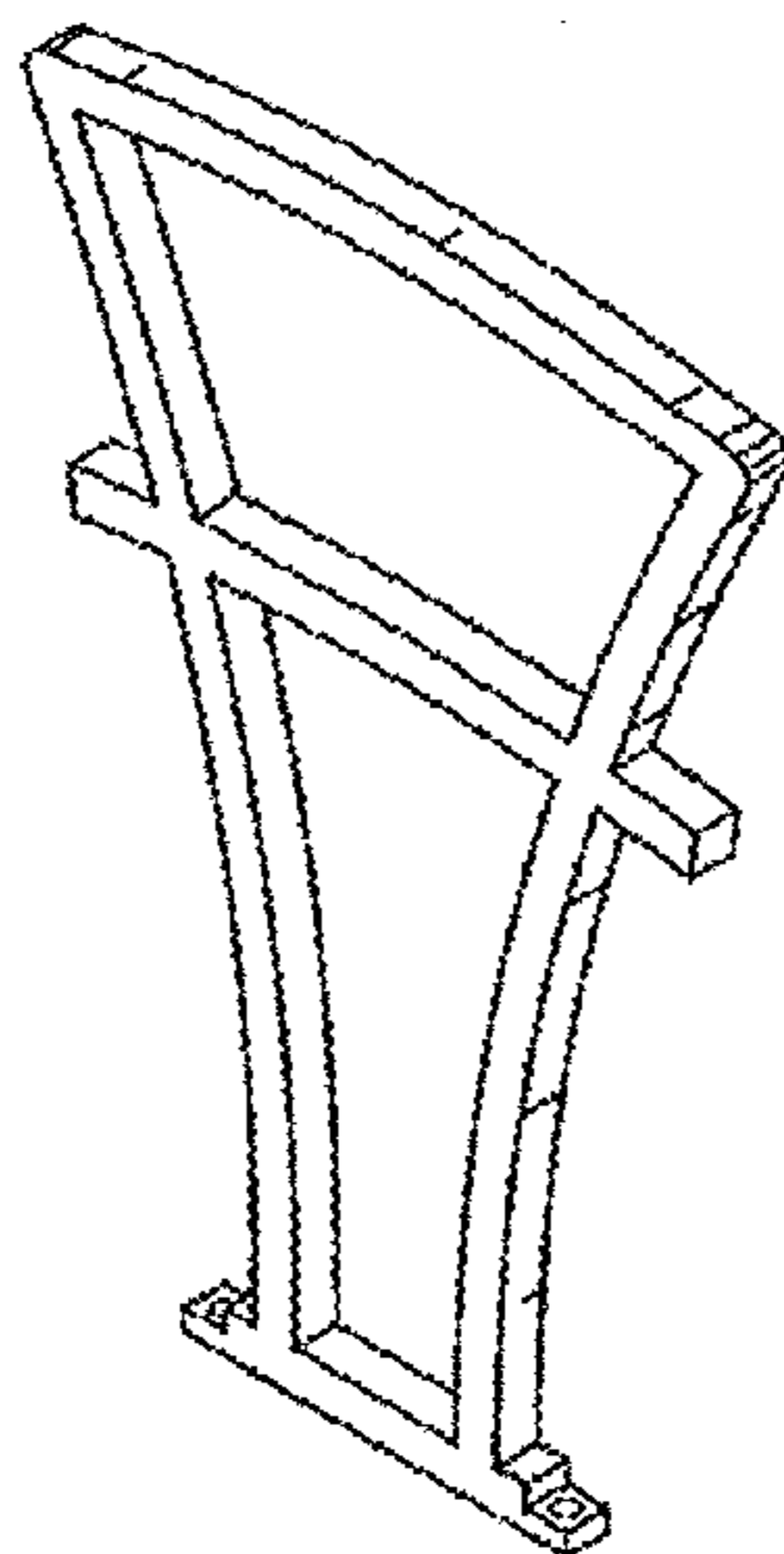
(57) **CLAIM**

The ornamental design for an end frame for a bench, as shown
and described.

DESCRIPTION

FIG. 1 is an isometric view of an end frame for a bench
showing my new design.
FIG. 2 is a right side elevational view of the end frame for a
bench of FIG. 1, the left side elevational view being a mirror
image thereof.
FIG. 3 is a front elevational view of the end frame for a bench
of FIG. 1, the rear elevational view being a mirror image
thereof.
FIG. 4 is a top plan view of the end frame for a bench of FIG.
1; and,
FIG. 5 is a bottom plan view of the end frame for a bench of
FIG. 1.

1 Claim, 1 Drawing Sheet



(56)

References Cited

U.S. PATENT DOCUMENTS

D585,210	S	*	1/2009	Rizzi	D6/381
D585,211	S	*	1/2009	Rizzi	D6/381
D585,220	S	*	1/2009	Skalka	D6/492
D590,621	S	*	4/2009	Pappas	D6/381
D629,233	S	*	12/2010	Slear et al.	D6/492
D629,234	S	*	12/2010	Marousek	D6/492
D632,104	S	*	2/2011	Marousek	D6/492
D680,346	S	*	4/2013	Pedersen et al.	D6/370
D689,320	S	*	9/2013	Watton	D6/717
D696,885	S	*	1/2014	Skalka	D6/716.1
D697,352	S	*	1/2014	Skalka	D6/716.1

OTHER PUBLICATIONS

U.S. Notice of Allowance dated Apr. 16, 2014, issued in related Design U.S. Appl. No. 29/471,277 (6 pages).
U.S. Notice of Allowance dated Apr. 16, 2014, issued in related Design U.S. Appl. No. 29/471,315 (6 pages).
U.S. Restriction Requirement dated Mar. 25, 2014, issued in related Design U.S. Appl. No. 29/458,004 (17 pages).
U.S. Restriction Requirement dated Mar. 25, 2014, issued in related Design U.S. Appl. No. 29/471,277 (16 pages).
U.S. Restriction Requirement dated Mar. 26, 2014, issued in related Design U.S. Appl. No. 29/471,315 (18 pages).

* cited by examiner

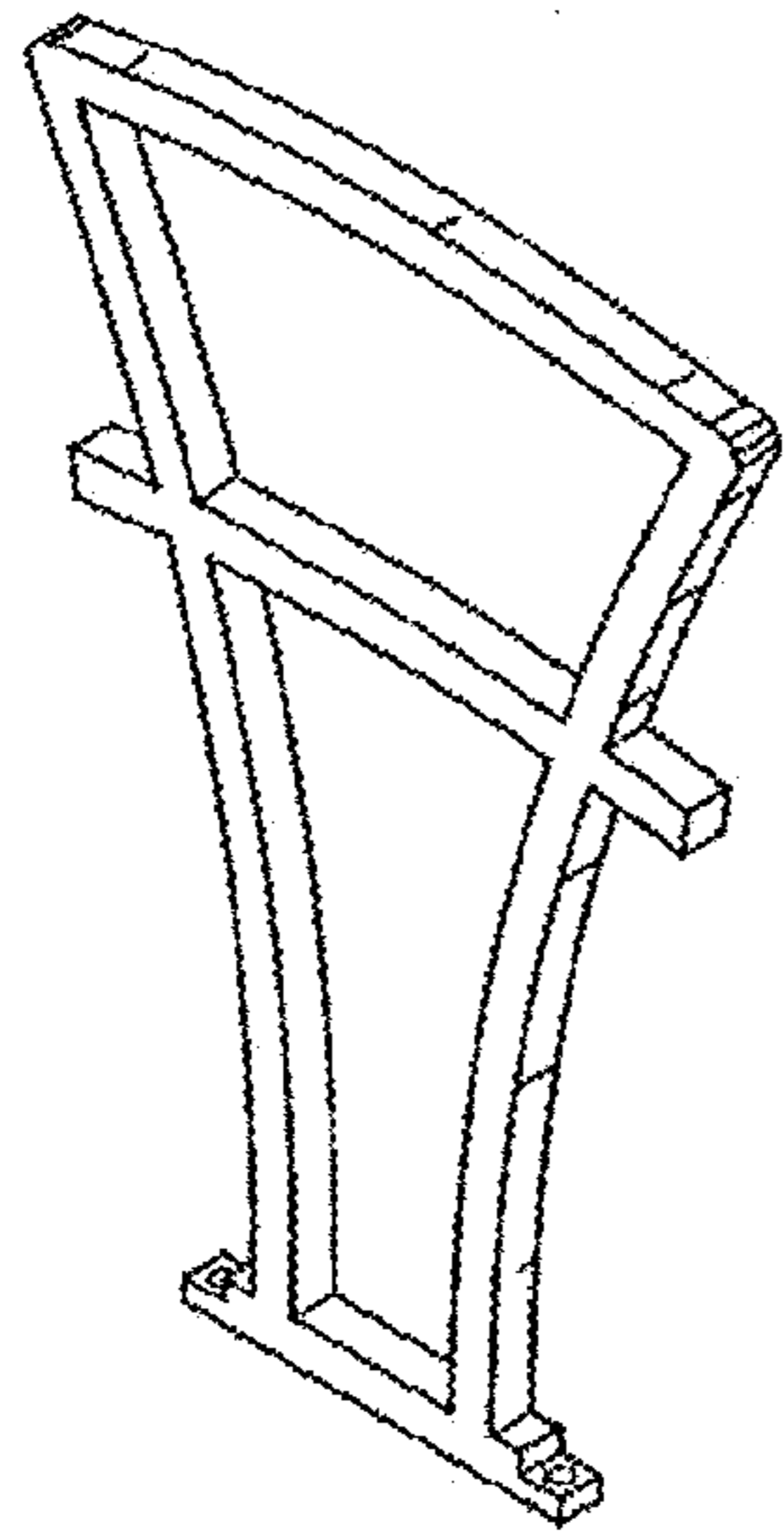


FIG. 1

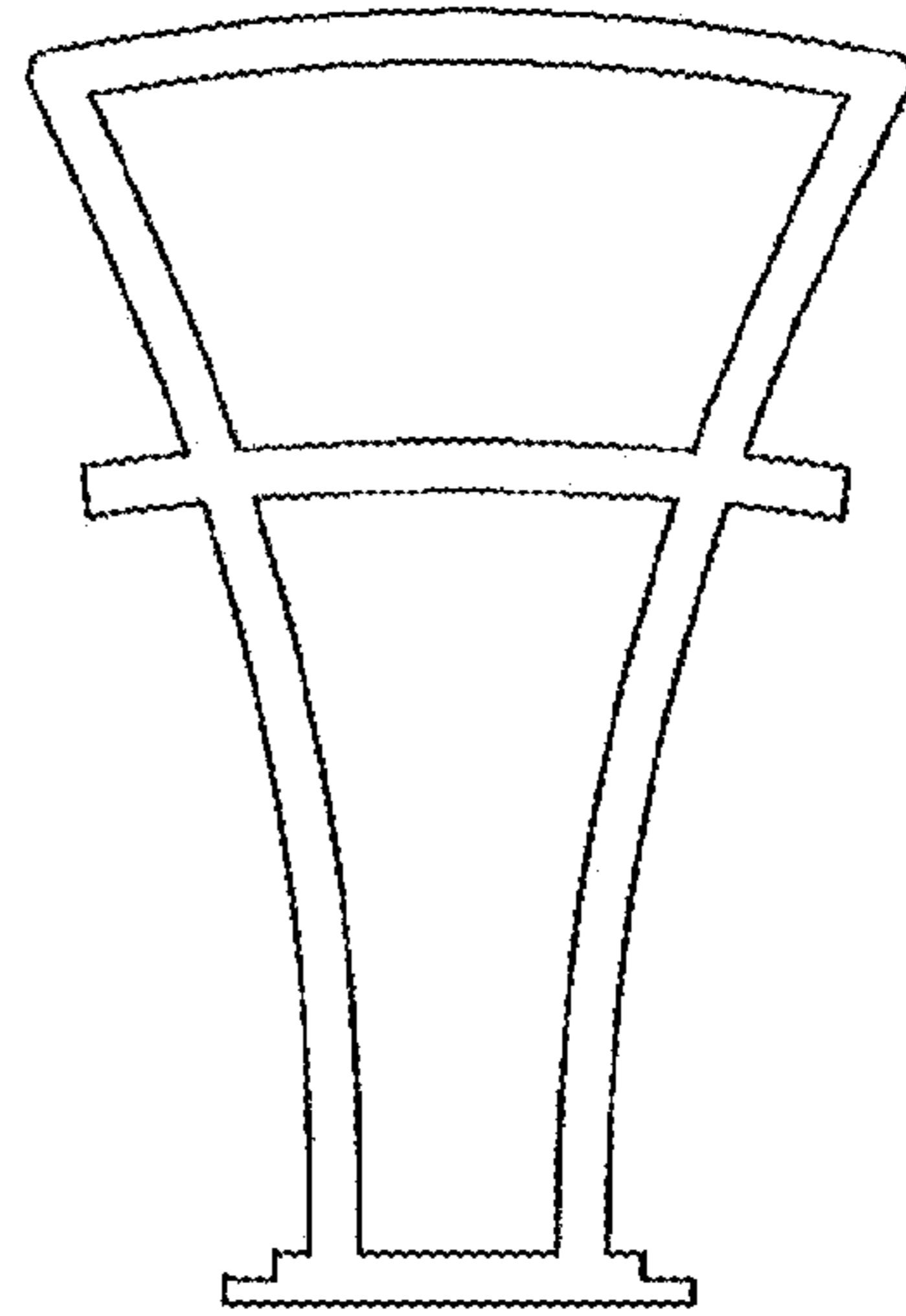


FIG. 2



FIG. 3

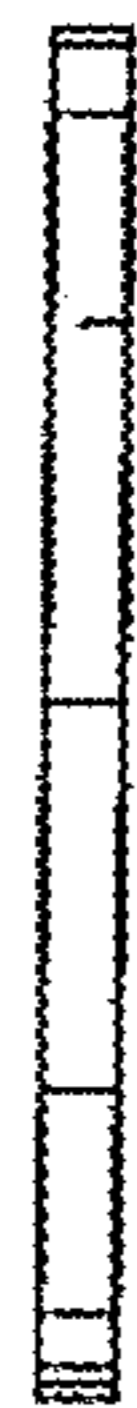


FIG. 4



FIG. 5