



US00D711173S

(12) **United States Design Patent**
Liao

(10) **Patent No.:** **US D711,173 S**
(45) **Date of Patent:** **** Aug. 19, 2014**

- (54) **CHAIR SEAT**
- (71) Applicant: **SHC Technology Co., Ltd.**, Nantou (TW)
- (72) Inventor: **I-Chun Liao**, Nantou (TW)
- (73) Assignee: **SHC Technology Co., Ltd.**, Nantou (TW)
- (**) Term: **14 Years**
- (21) Appl. No.: **29/478,998**
- (22) Filed: **Jan. 10, 2014**
- (51) **LOC (10) Cl.** **06-01**
- (52) **U.S. Cl.**
USPC **D6/716.1**; D6/349; D6/354
- (58) **Field of Classification Search**
CPC A47C 1/14; A47C 3/16-3/20; A47C 4/00;
A47C 4/28; A47C 5/02; A47C 7/02; A47C
9/00; A47C 9/02; A47C 9/002; A47C 9/007;
A47C 9/025; A47C 11/00; A47C 12/00;
A47C 13/00; A47C 16/02
USPC D6/335, 340, 344, 347, 349-355, 358,
D6/360, 363-373, 381, 685, 687, 688, 690,
D6/691-691.6, 692, 692.4, 694, 703.15,
D6/708.21, 708.22, 709.22, 716-716.7,
D6/717
See application file for complete search history.

D375,425 S *	11/1996	Gale	D6/502
D401,427 S *	11/1998	Jalkanen	D6/354
D432,803 S *	10/2000	Jalkanen	D6/354
D433,854 S *	11/2000	Diffrient	D6/502
D446,032 S *	8/2001	Arcieri	D6/354
D454,706 S *	3/2002	Volkman et al.	D6/349
6,709,052 B2 *	3/2004	Jalkanen	297/202
D554,918 S *	11/2007	Gale	D6/502
D581,685 S *	12/2008	Longpre et al.	D6/354
D603,631 S *	11/2009	Gale	D6/502

* cited by examiner

Primary Examiner — Susan Bennett Hattan
Assistant Examiner — Vy Koenig
(74) *Attorney, Agent, or Firm* — The Weintraub Group, P.L.C.

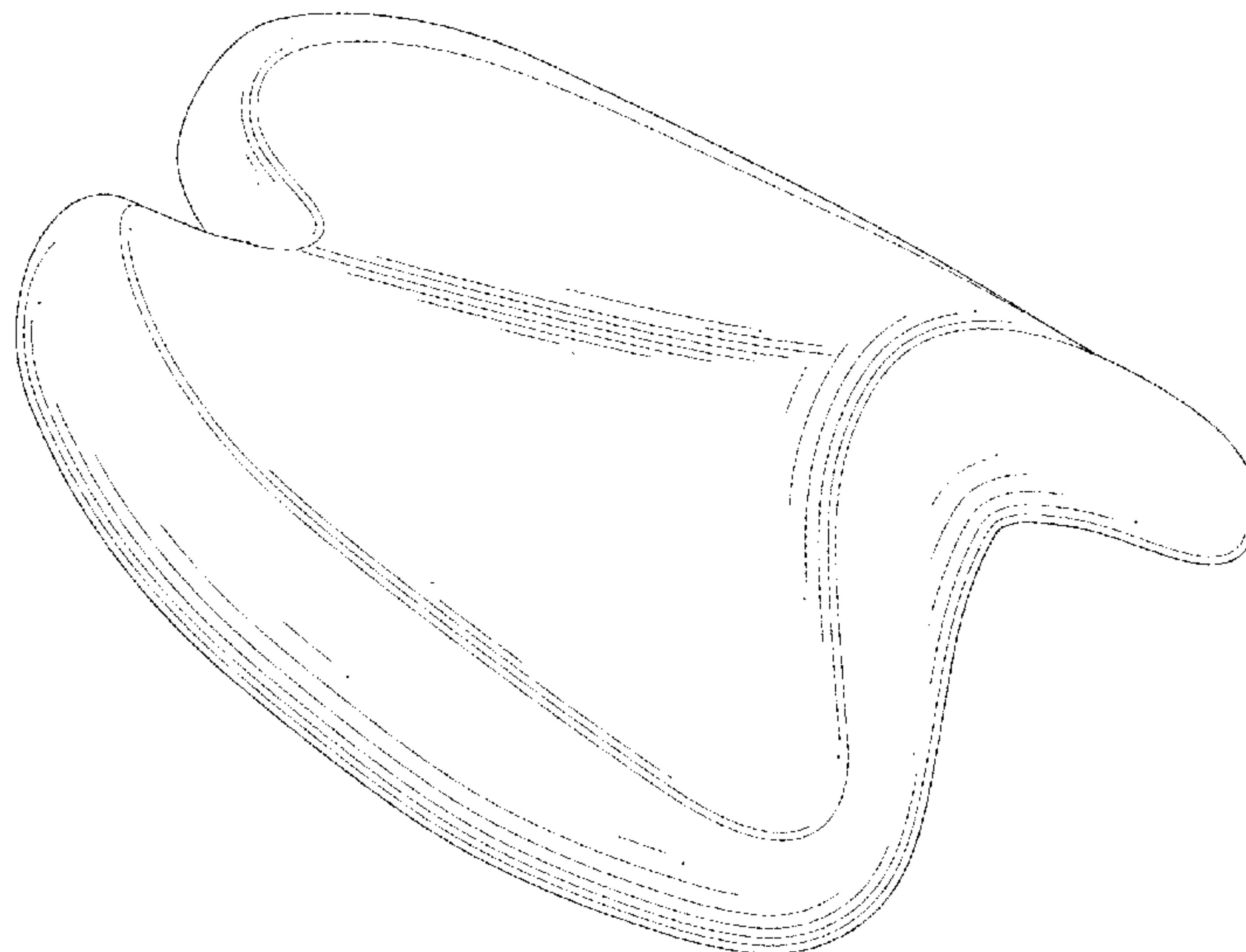
(57) **CLAIM**
The ornamental design for a chair seat, as shown and described.

DESCRIPTION

FIG. 1 is a perspective view of a chair seat showing my new design;
FIG. 2 is a front view thereof;
FIG. 3 is a rear view thereof;
FIG. 4 is a left side view thereof;
FIG. 5 is a right side view thereof;
FIG. 6 is a top view thereof;
FIG. 7 is a bottom view thereof; and,
FIG. 8 is a perspective view thereof showing the chair seat mounted on a chair support.
The broken lines shown in the drawings depict environmental features that form no part of the claimed design.

- (56) **References Cited**
U.S. PATENT DOCUMENTS
D328,678 S * 8/1992 Gale D6/502
D342,850 S * 1/1994 Slicker et al. D6/502

1 Claim, 6 Drawing Sheets



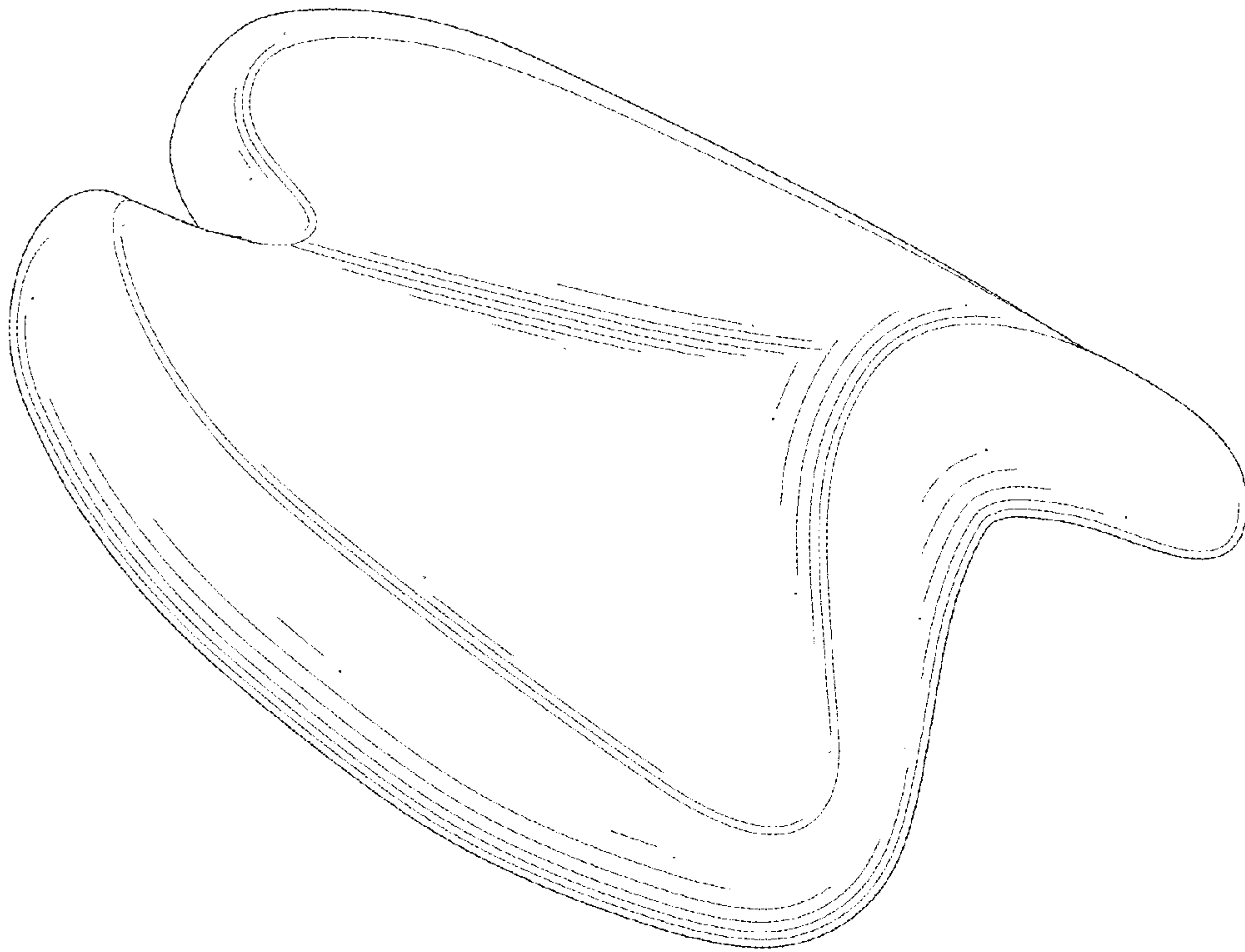


FIG. 1

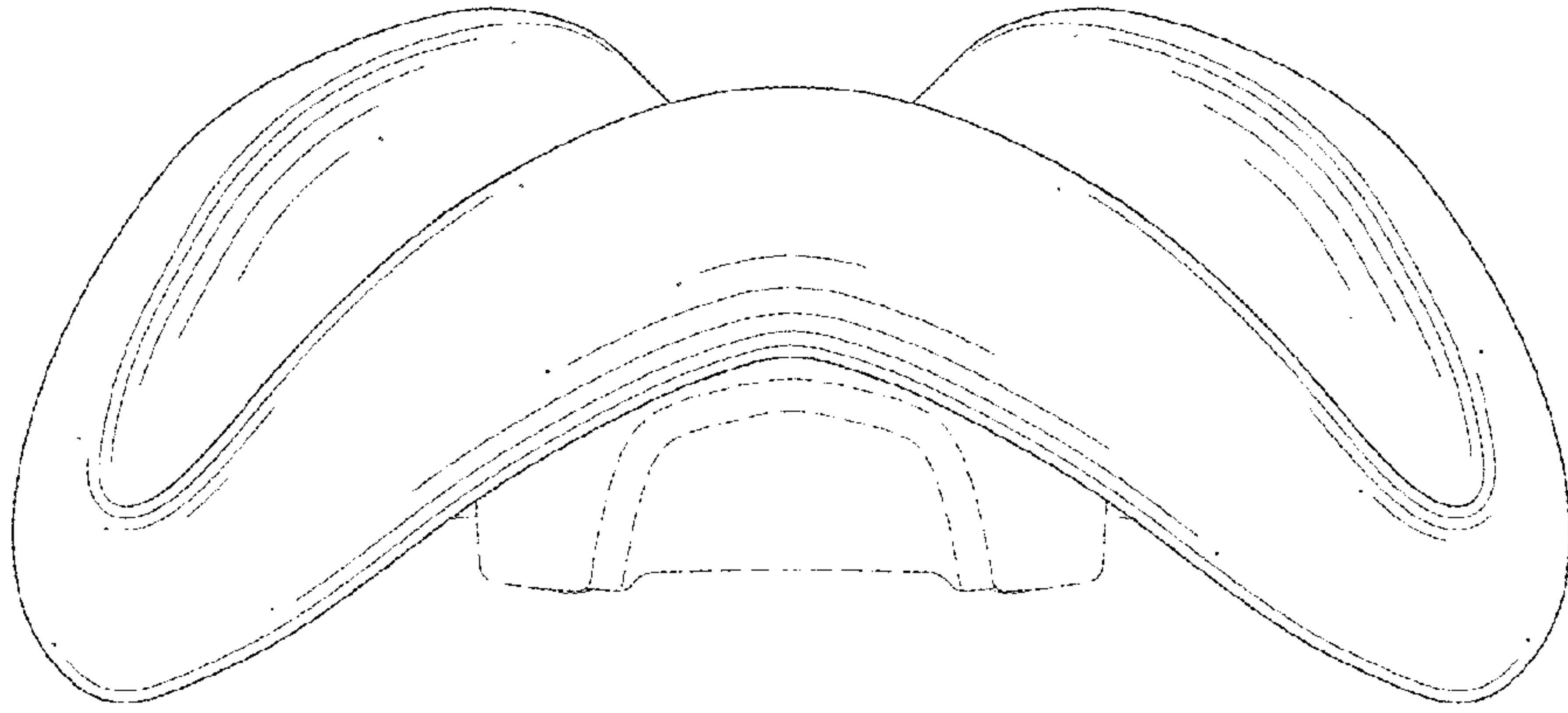


FIG. 2

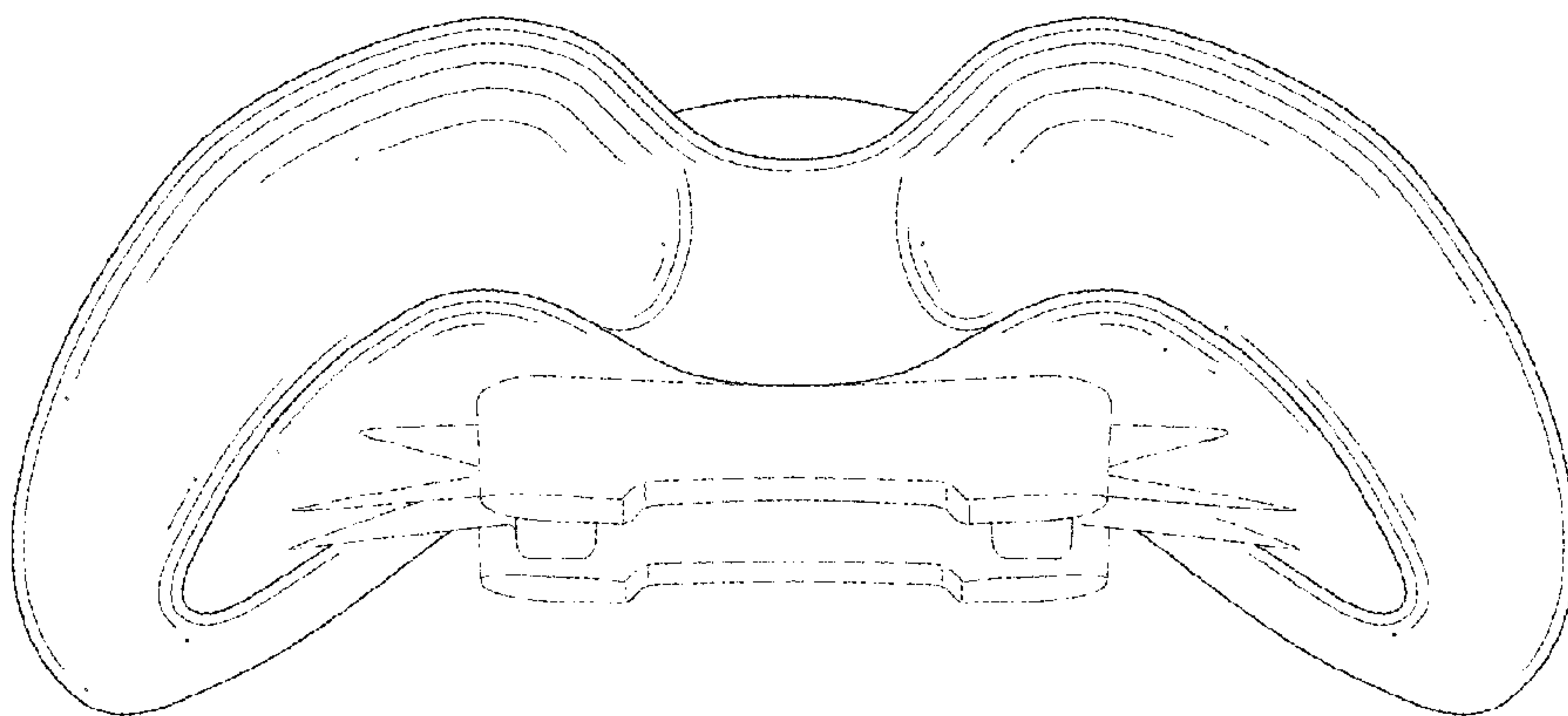


FIG. 3

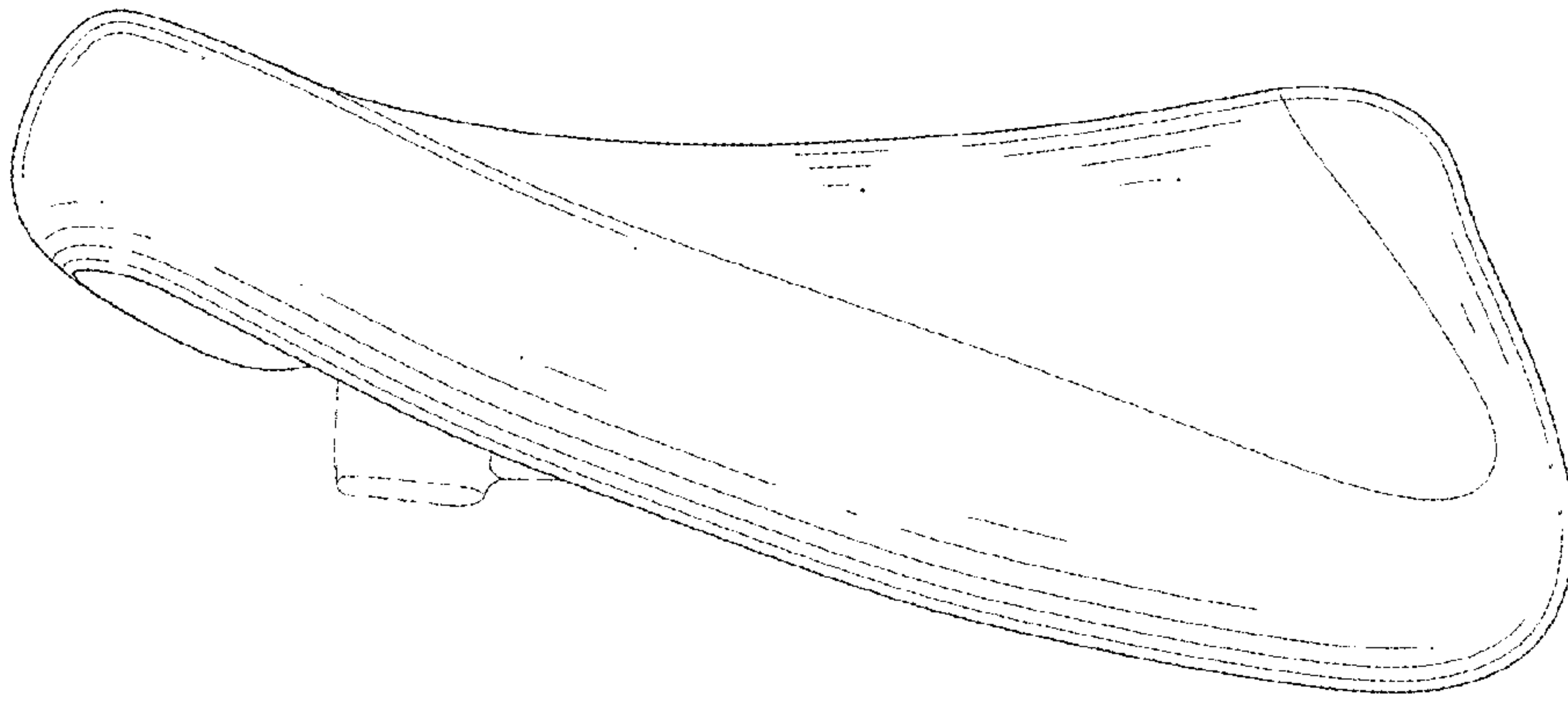


FIG. 4

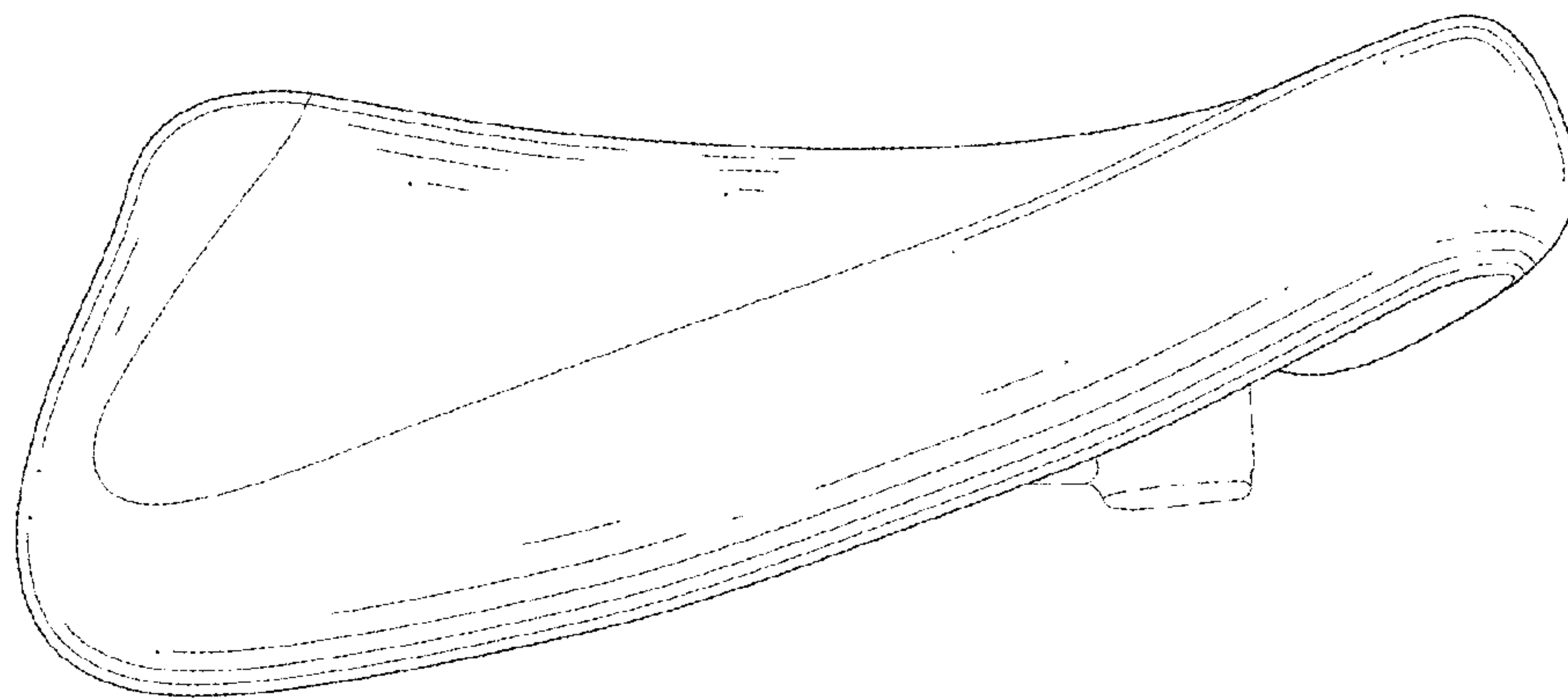


FIG. 5

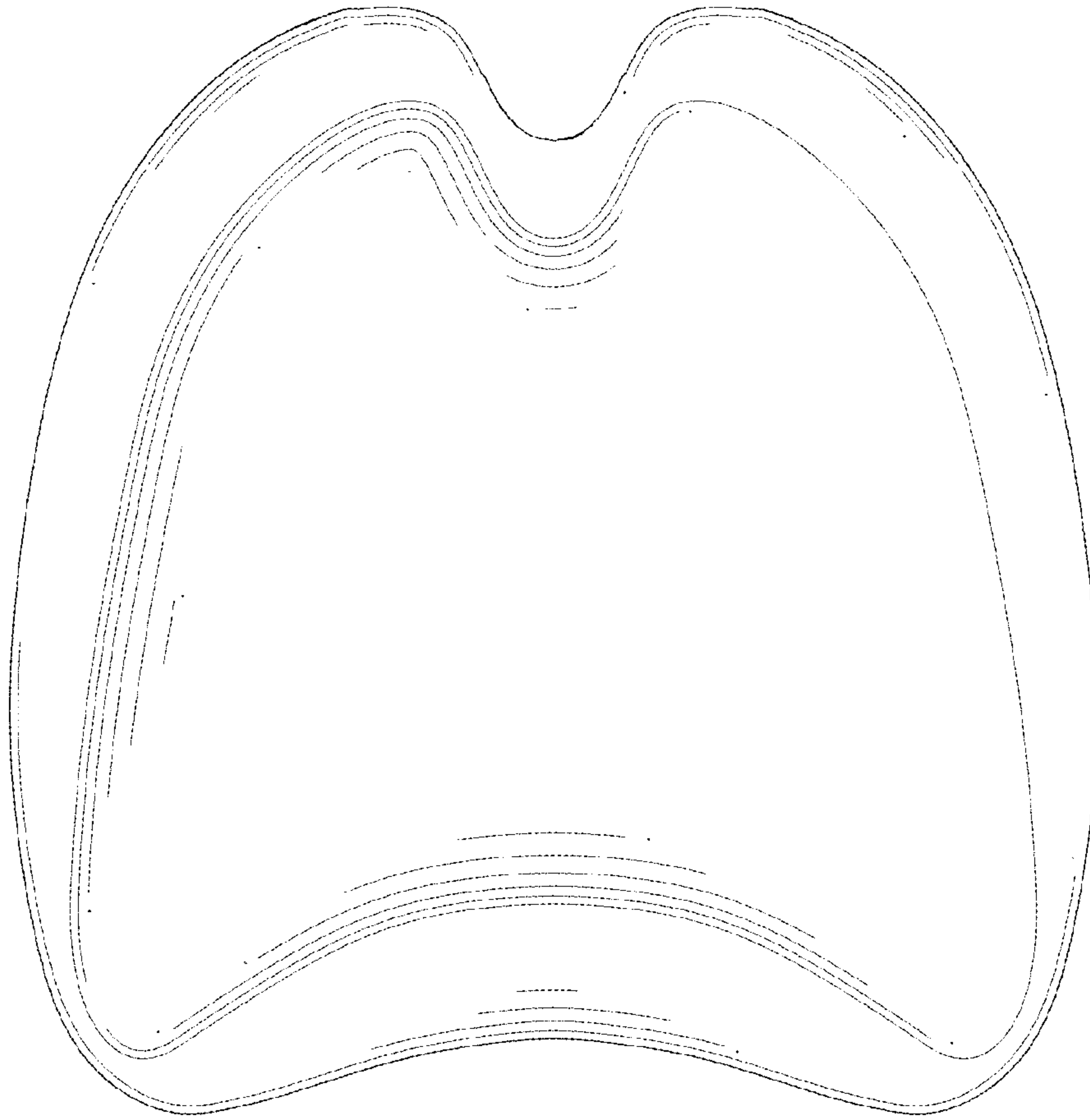


FIG. 6

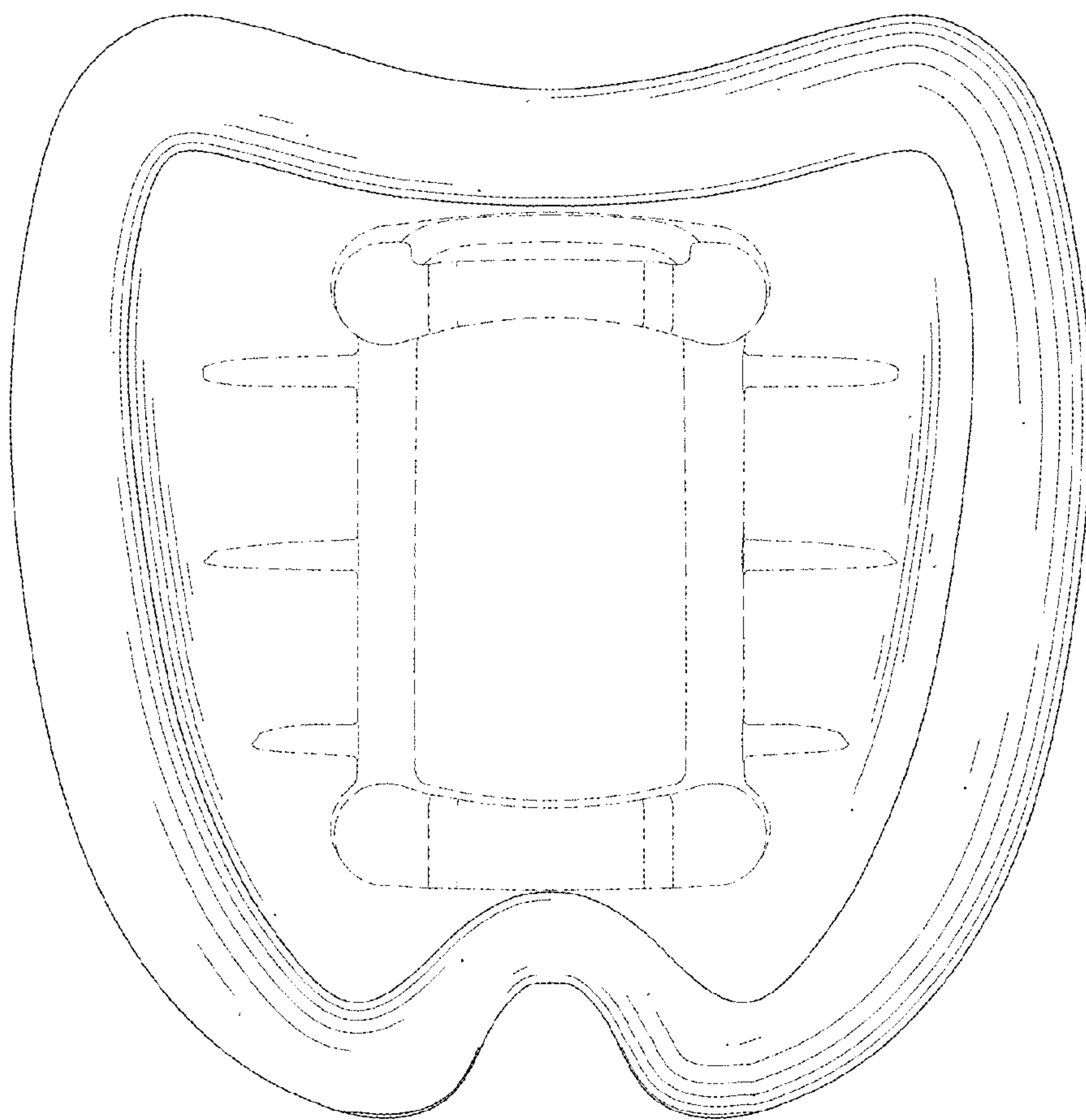


FIG. 7

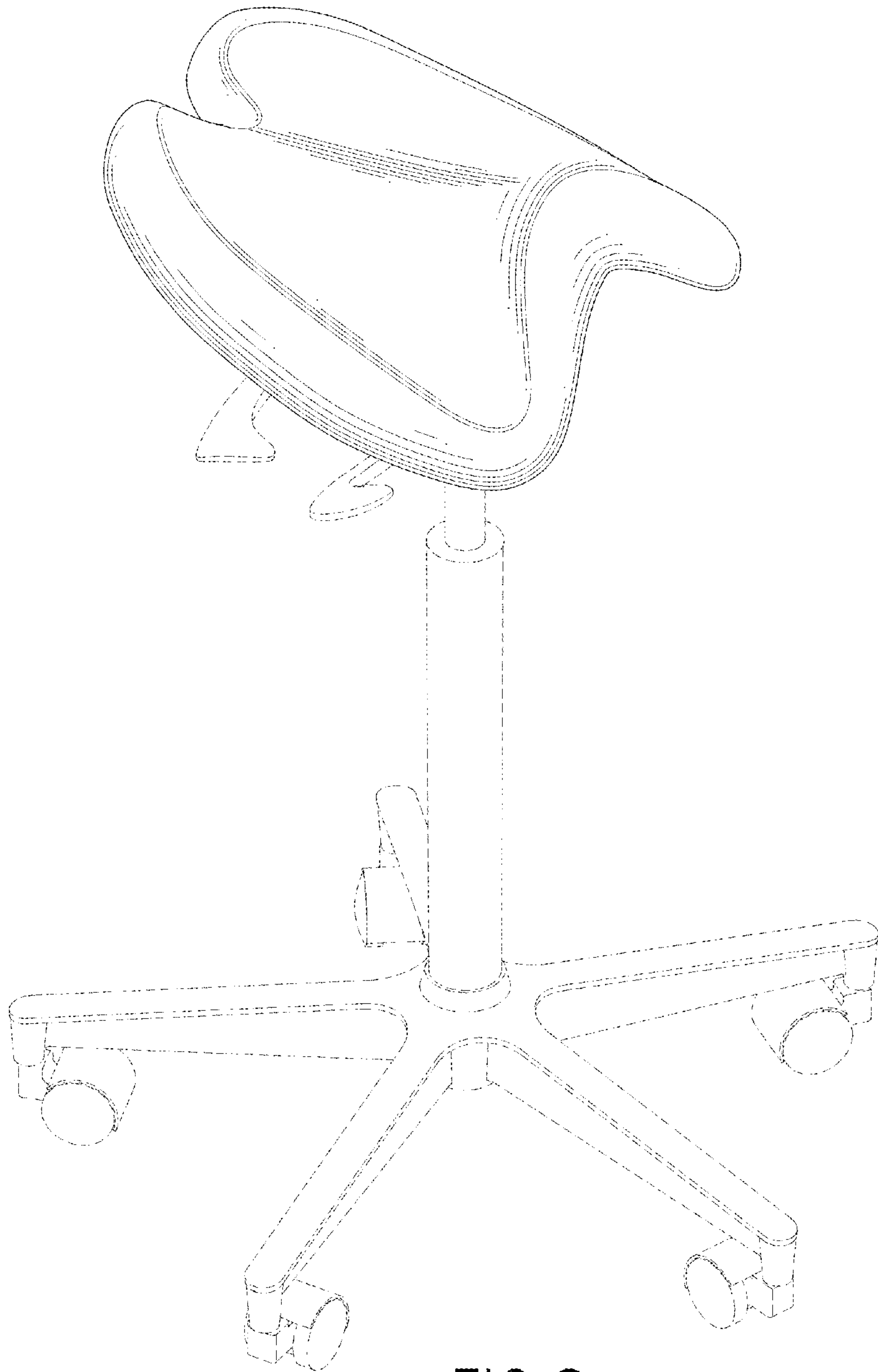


FIG.8