

US00D711163S

(12) **United States Design Patent**  
**Williams**

(10) **Patent No.:** **US D711,163 S**

(45) **Date of Patent:** **\*\* \*Aug. 19, 2014**

(54) **TABLE CLOTH**

(71) Applicant: **Robenius Williams**, Spotsylvania, VA  
(US)

(72) Inventor: **Robenius Williams**, Spotsylvania, VA  
(US)

(\*) Notice: This patent is subject to a terminal disclaimer.

(\*\*) Term: **14 Years**

(21) Appl. No.: **29/450,335**

(22) Filed: **Mar. 16, 2013**

(51) **LOC (10) Cl.** ..... **06-13**

(52) **U.S. Cl.**  
USPC ..... **D6/617**

(58) **Field of Classification Search**  
USPC ..... D6/582, 583, 584, 585, 588, 589, 591,  
D6/592, 593, 596, 603, 613, 615, 616, 617,  
D6/619, 620, 621; D5/61, 63; D12/203;  
4/581, 582, 583; 5/417, 420; 15/215,  
15/238; 52/660; 428/85; D32/57; 108/90  
See application file for complete search history.

(56) **References Cited**

**U.S. PATENT DOCUMENTS**

934,993	A *	9/1909	Brunson	108/90
1,142,571	A *	6/1915	Hoffberg	108/90
1,865,459	A *	7/1932	Edmands	428/84
1,926,429	A *	9/1933	Bendelari	108/90
D106,952	S *	11/1937	Rosen	D6/612
2,283,828	A *	5/1942	Strombach	108/90
2,809,466	A *	10/1957	Glover	108/90
3,279,515	A *	10/1966	Kesh	108/90

3,825,050	A *	7/1974	Glover	108/90
4,789,019	A *	12/1988	Sweetser et al.	108/90
5,647,159	A *	7/1997	Latschaw	43/1
6,457,423	B1 *	10/2002	Gordon	108/90
7,096,526	B1 *	8/2006	Ogan	5/418
D545,106	S *	6/2007	Hourihan	D6/610
D635,829	S *	4/2011	Morrish et al.	D7/624.1
2003/0015270	A1 *	1/2003	McClenahan et al.	150/158
2003/0200589	A1 *	10/2003	Therres	2/69
2006/0150871	A1 *	7/2006	Palmby	108/90
2007/0020428	A1 *	1/2007	Hernandez	428/66.6
2012/0097078	A1 *	4/2012	Schwabe et al.	108/90

\* cited by examiner

*Primary Examiner* — Karen S Acker

(74) *Attorney, Agent, or Firm* — Symbus Law Group LLC;  
Clifford D. Hyra

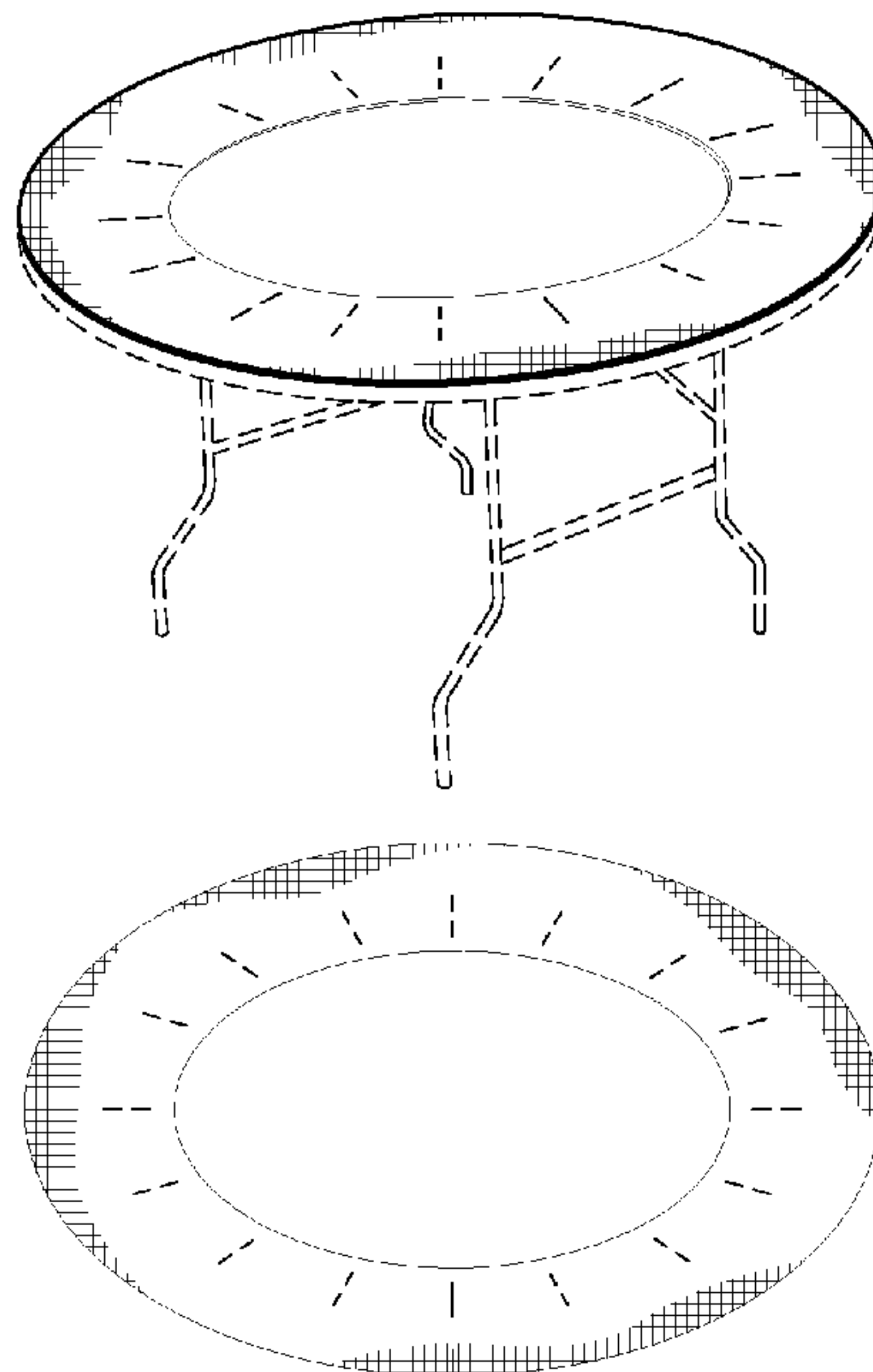
(57) **CLAIM**

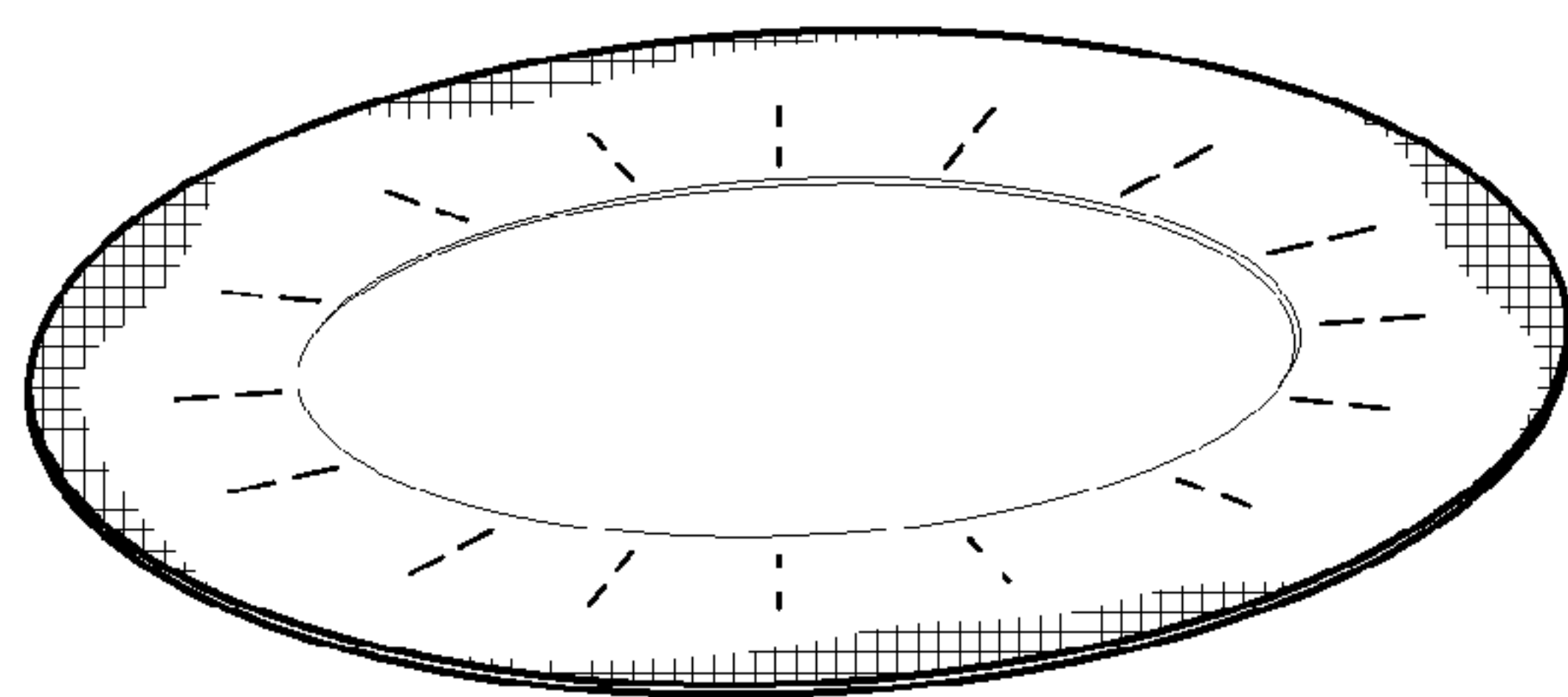
The ornamental design for a table cloth, as shown and described.

**DESCRIPTION**

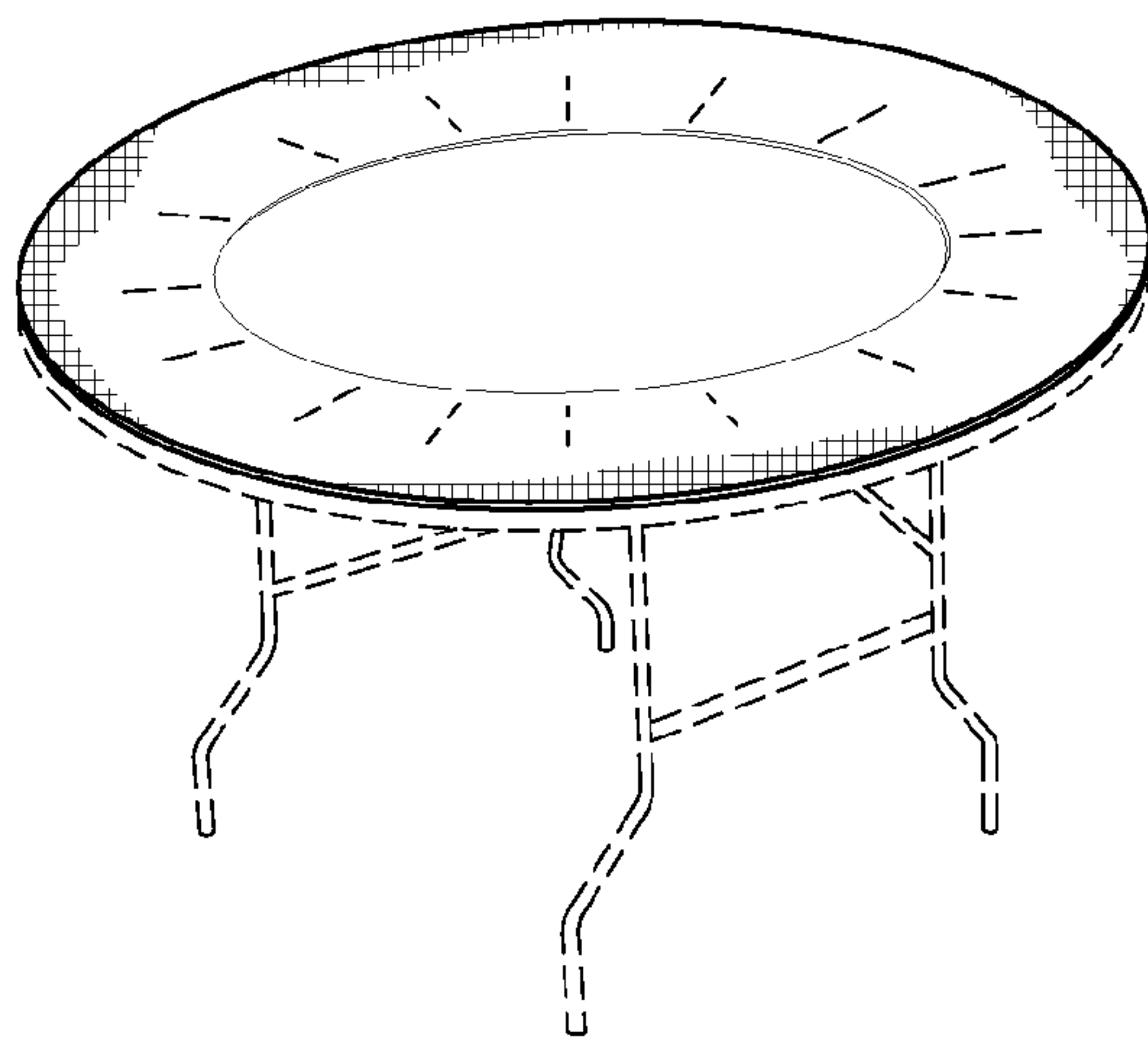
FIG. 1 is a perspective view of a first embodiment of a table cloth showing the top, front, and right sides.  
 FIG. 2 is a perspective view thereof shown in a position of use applied to a circular table drawn in broken lines.  
 FIG. 3 is a top view of the table cloth of FIG. 1.  
 FIG. 4 is a perspective view of a second embodiment of a table cloth showing the top, front and right sides.  
 FIG. 5 is a perspective view thereof shown in a position of use applied to an oval table drawn in broken lines; and,  
 FIG. 6 is a top view of the table cloth of FIG. 4.  
 The broken lines showing of a table in FIGS. 2 and 5 and the button holes in FIGS. 1-6 represent unclaimed environmental structure and form no part of the claimed design.

**1 Claim, 2 Drawing Sheets**

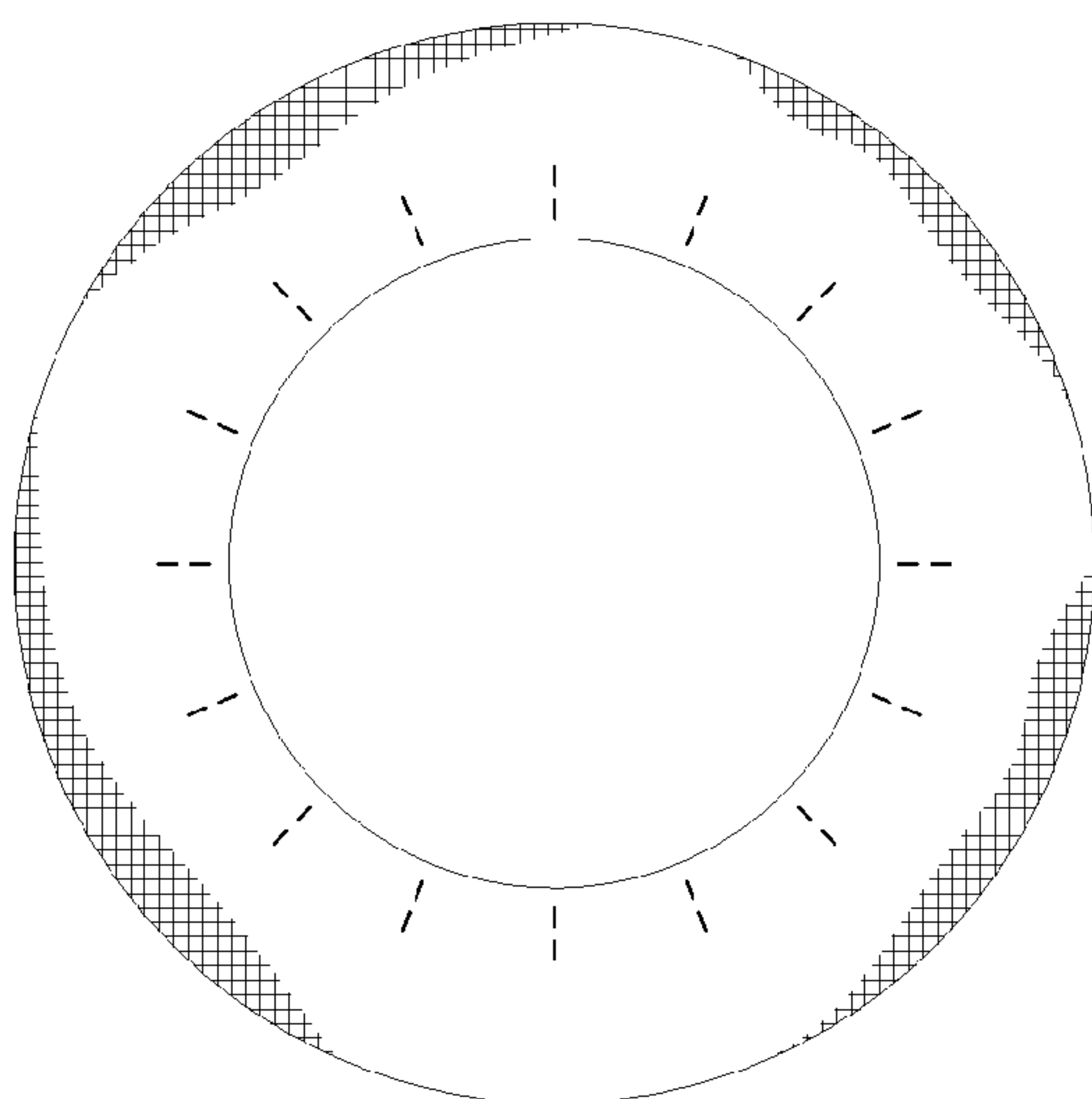




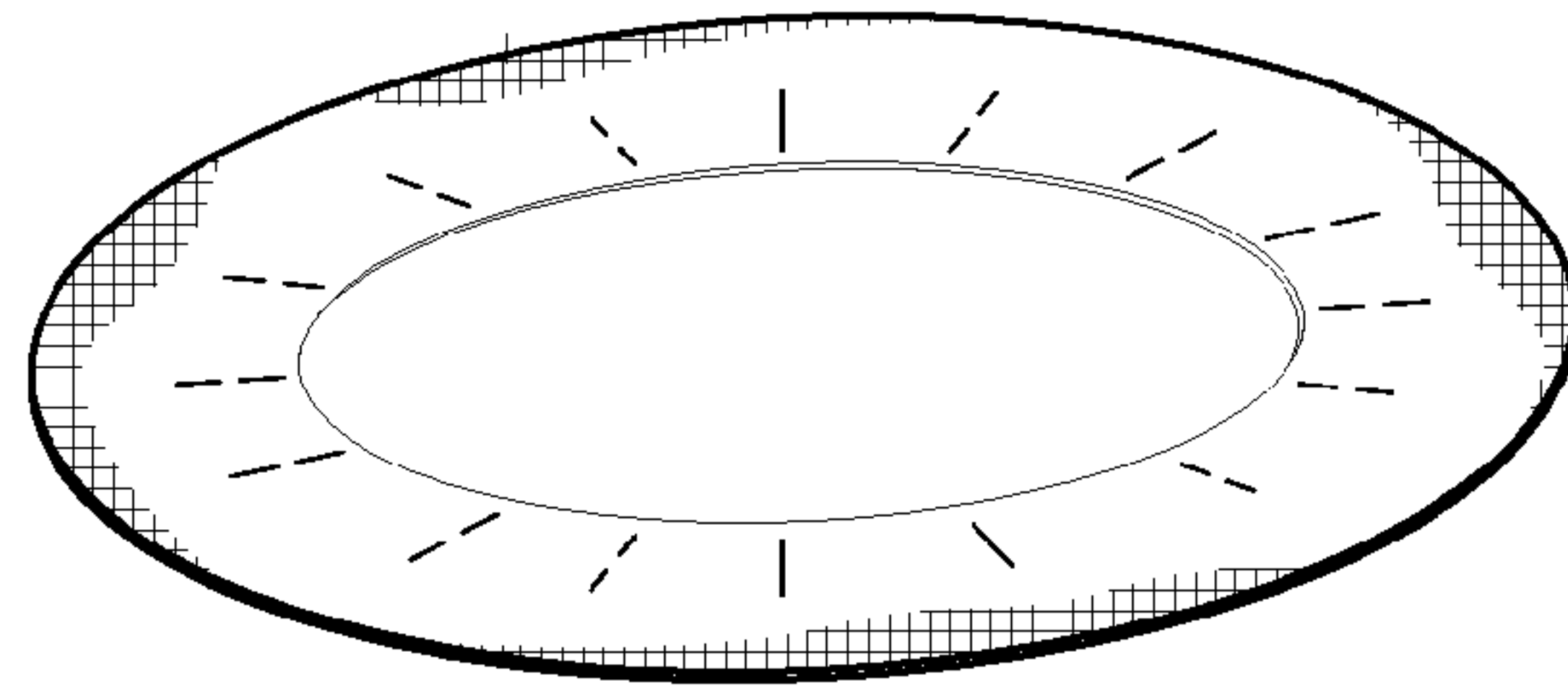
**FIG. 1**



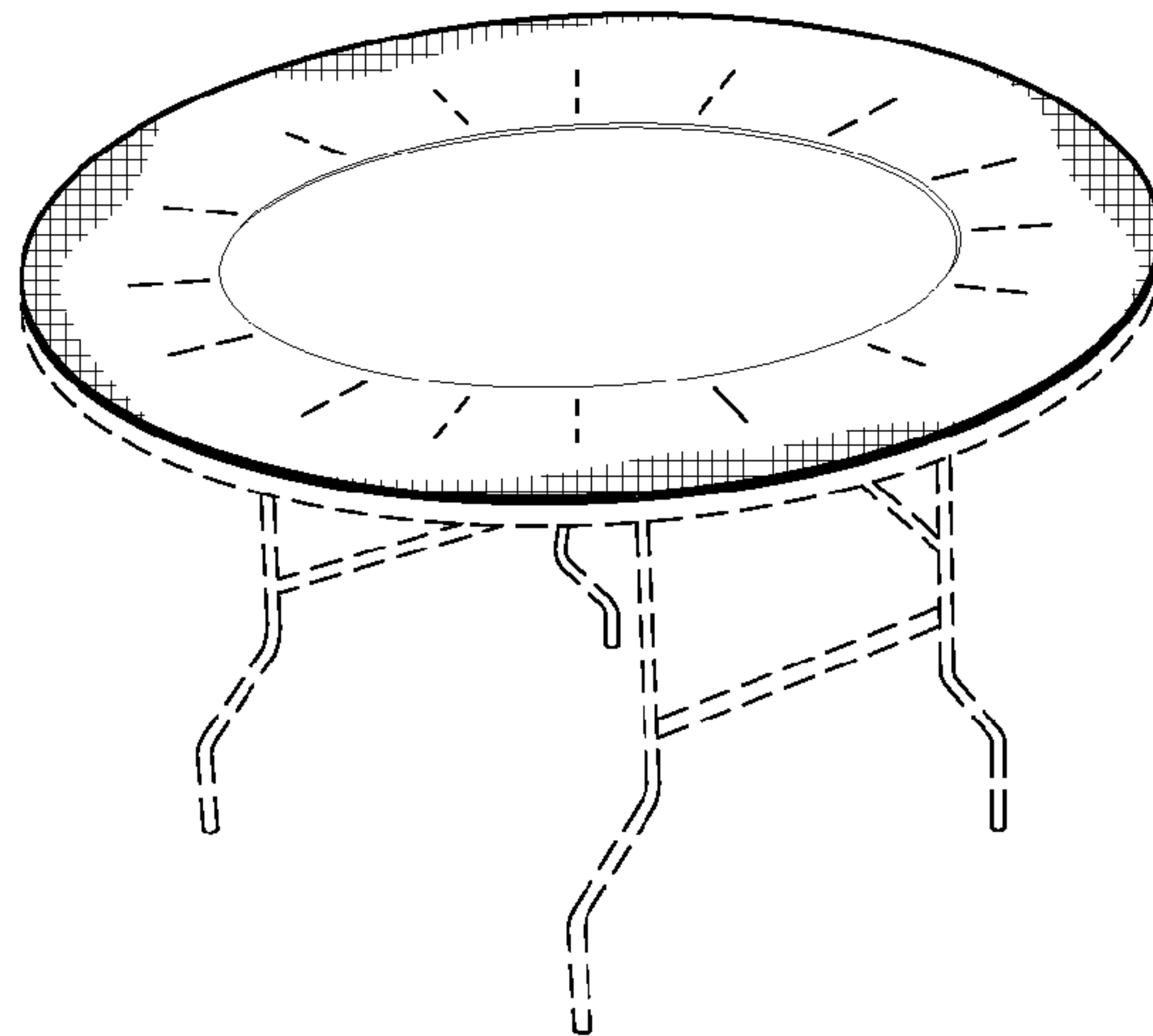
**FIG. 2**



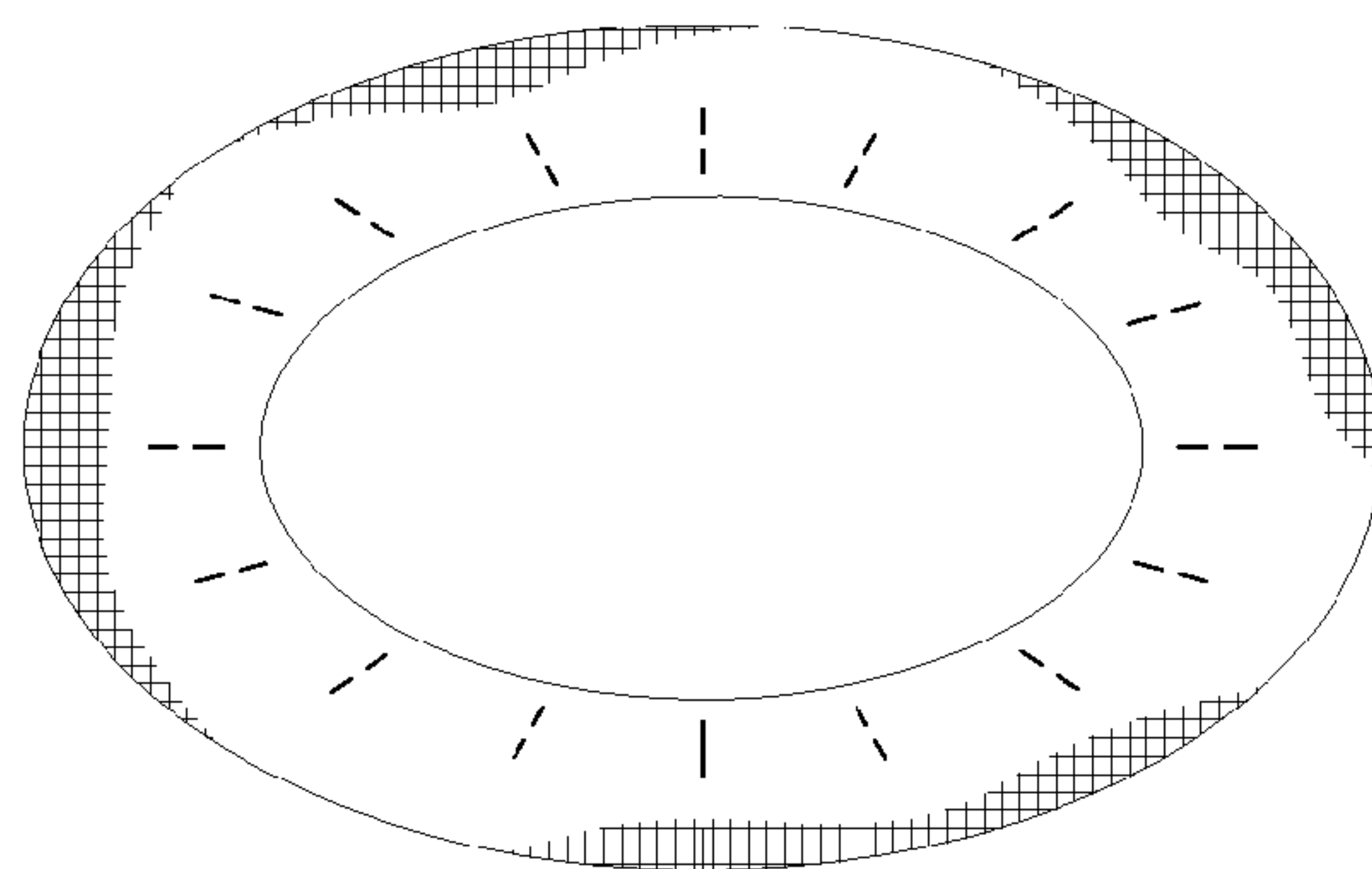
**FIG. 3**



**FIG. 4**



**FIG. 5**



**FIG. 6**