



US00D711162S

(12) **United States Design Patent**
Wilson et al.

(10) **Patent No.:** **US D711,162 S**
(45) **Date of Patent:** **** Aug. 19, 2014**

(54) **CAP AND ARMREST COVER**

(74) *Attorney, Agent, or Firm* — Miller & Martin PLLC

(71) Applicants: **Jack Wilson**, Dayton, TN (US); **Brian Hall**, Dayton, TN (US)

(57) **CLAIM**

The ornamental design for a cap and armrest cover, as shown and described.

(72) Inventors: **Jack Wilson**, Dayton, TN (US); **Brian Hall**, Dayton, TN (US)

DESCRIPTION

(**) Term: **14 Years**

FIG. 1 is a front right perspective view of the cap and armrest cover with flexible portion pictured to conform to an armrest; FIG. 2 is a front right perspective view of the cap and armrest cover with the flexible portion unsupported; FIG. 3 is a perspective view of the cap and armrest cover shown in FIG. 1 on an arm chair to show environment; FIG. 4 is a front plan view of the cap and armrest cover shown in FIG. 1; FIG. 5 is a back plan view of the cap and armrest cover shown in FIG. 1; FIG. 6 is a top plan view of the cap and armrest cover shown in FIG. 1; FIG. 7 is a bottom plan view of the cap and armrest cover shown in FIG. 1; and,

(21) Appl. No.: **29/436,250**

FIG. 8 is a right plan view of the cap and armrest cover shown in FIG. 1, the left side plan view being a mirror image thereof. The broken line showing an armchair in FIG. 3 are directed to environment and form no part of the claimed design. The broken lines within the claimed design in embodiments 1, 3, 6 and 8 that depict a curved rectangular surface, indicate a non-claimed surface and are for illustrative purposes only. The broken lines in embodiments 5 and 7 that depict a strap are for illustrative purposes only and form no part of the claimed design. The broken lines in embodiment 1 depicting a T and in embodiment 2 depicting the word LOGO are for illustrative purposes only and are not a part of the claimed design.

(22) Filed: **Nov. 2, 2012**

(51) **LOC (10) Cl.** **06-13**

(52) **U.S. Cl.**
USPC **D6/611**

(58) **Field of Classification Search**
USPC D6/610, 611, 596, 601, 602, 603, 615, D6/617, 621; D7/332, 334-337; D12/401-405; 135/87, 88.01, 95; 150/165-167, 158, 154; 280/770; 296/136.01, 136.1, 136.11
See application file for complete search history.

(56) **References Cited**

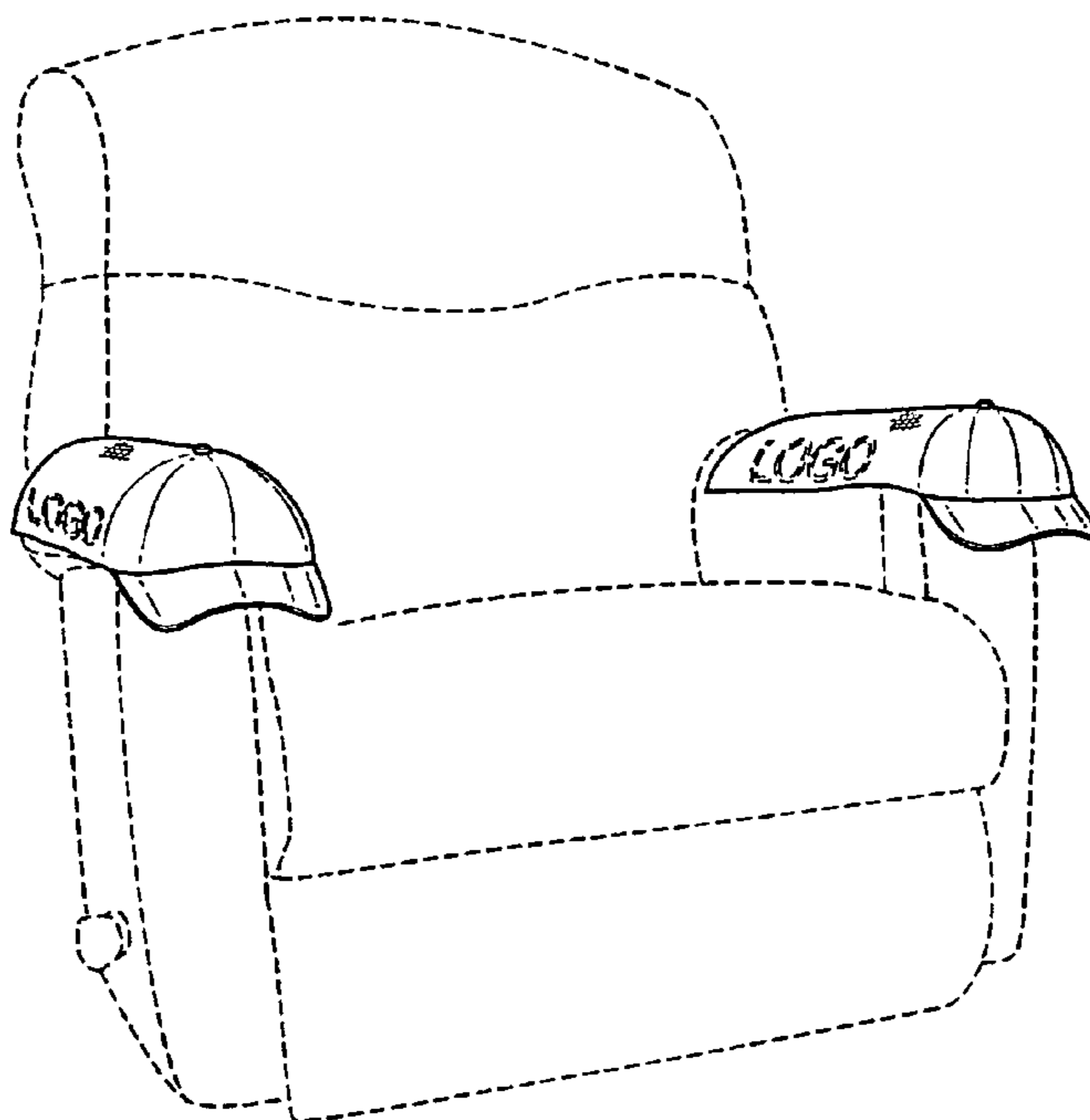
U.S. PATENT DOCUMENTS

2,418,092	A *	3/1947	Passel	297/227
D350,866	S *	9/1994	Miller et al.	D6/501
D426,416	S *	6/2000	Petrishen	D6/611
D472,094	S *	3/2003	Bertollo	D6/610
D492,114	S *	6/2004	Sulier	D3/315
D596,890	S *	7/2009	Sulier	D6/611
D675,857	S *	2/2013	Eshom	D6/610

* cited by examiner

Primary Examiner — Katrina A Betton

1 Claim, 2 Drawing Sheets



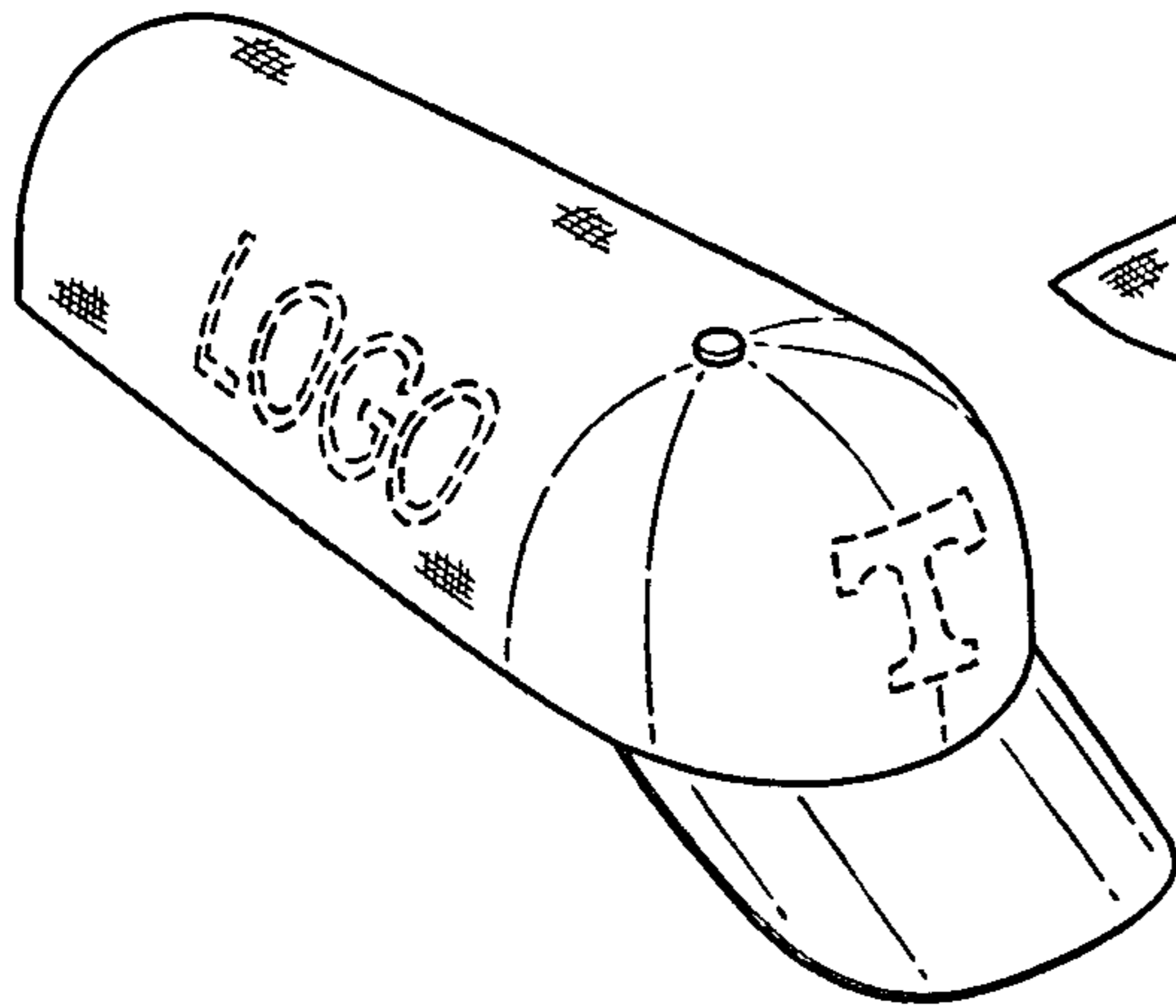


FIG. 1

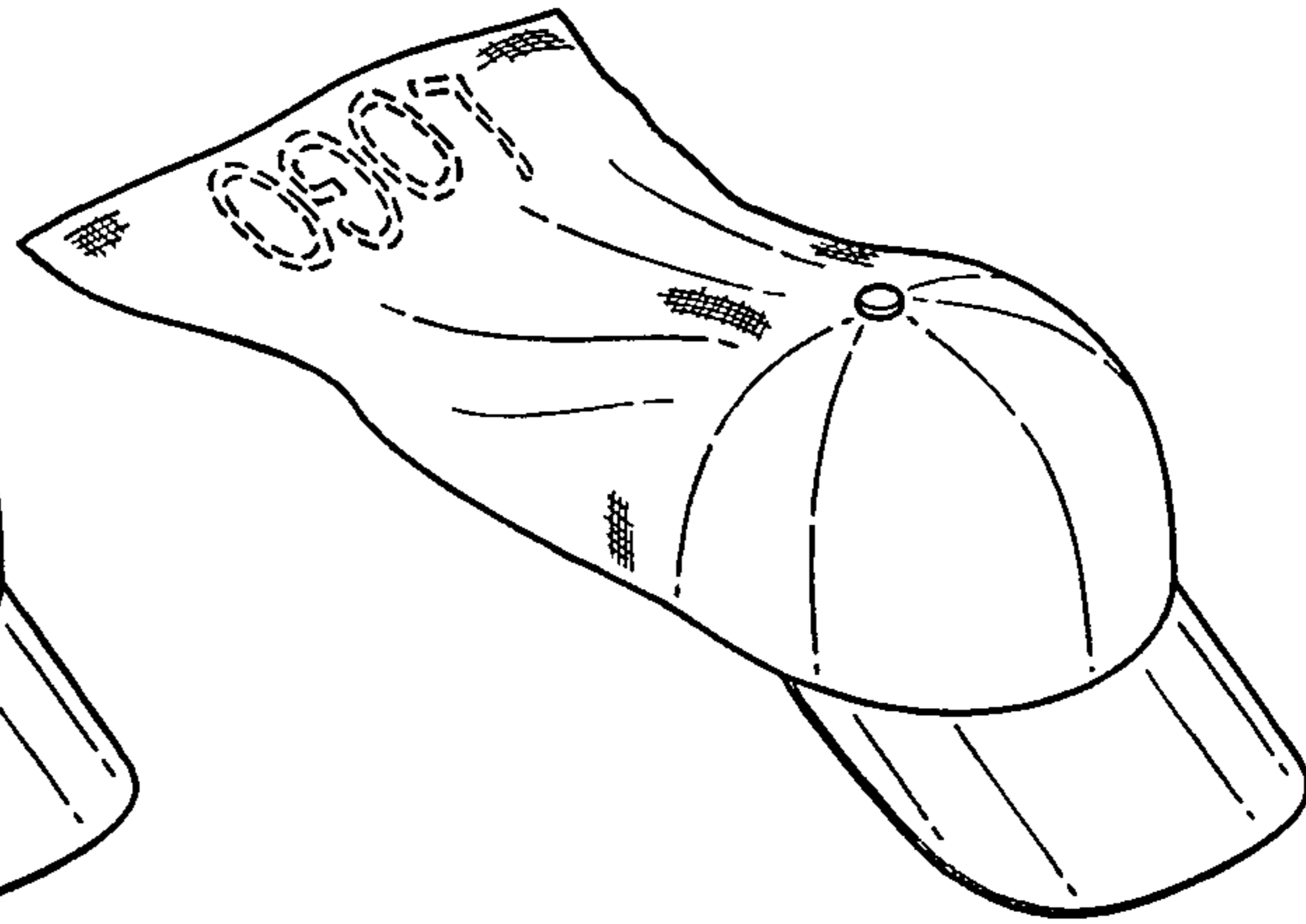


FIG. 2

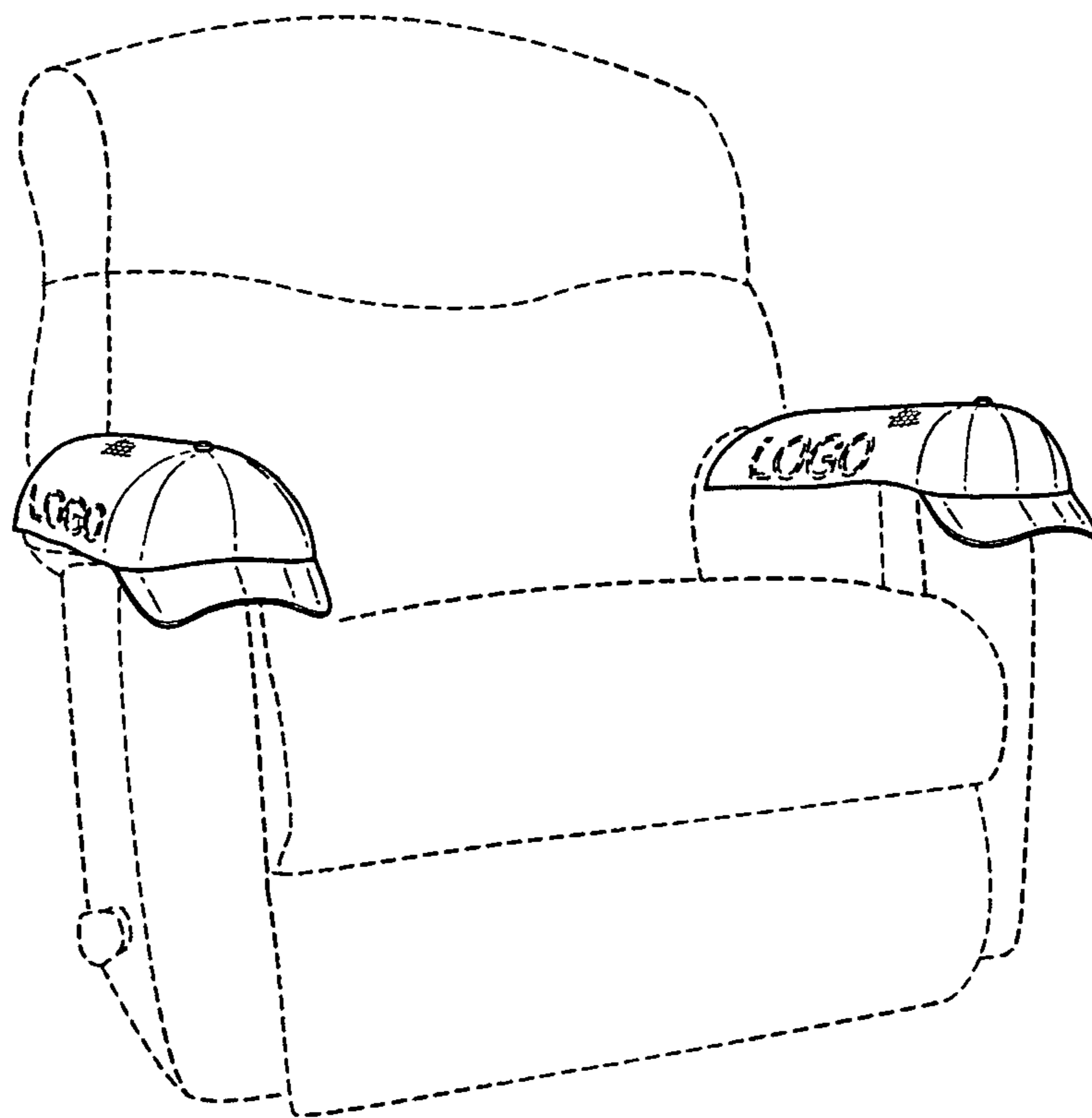


FIG. 3

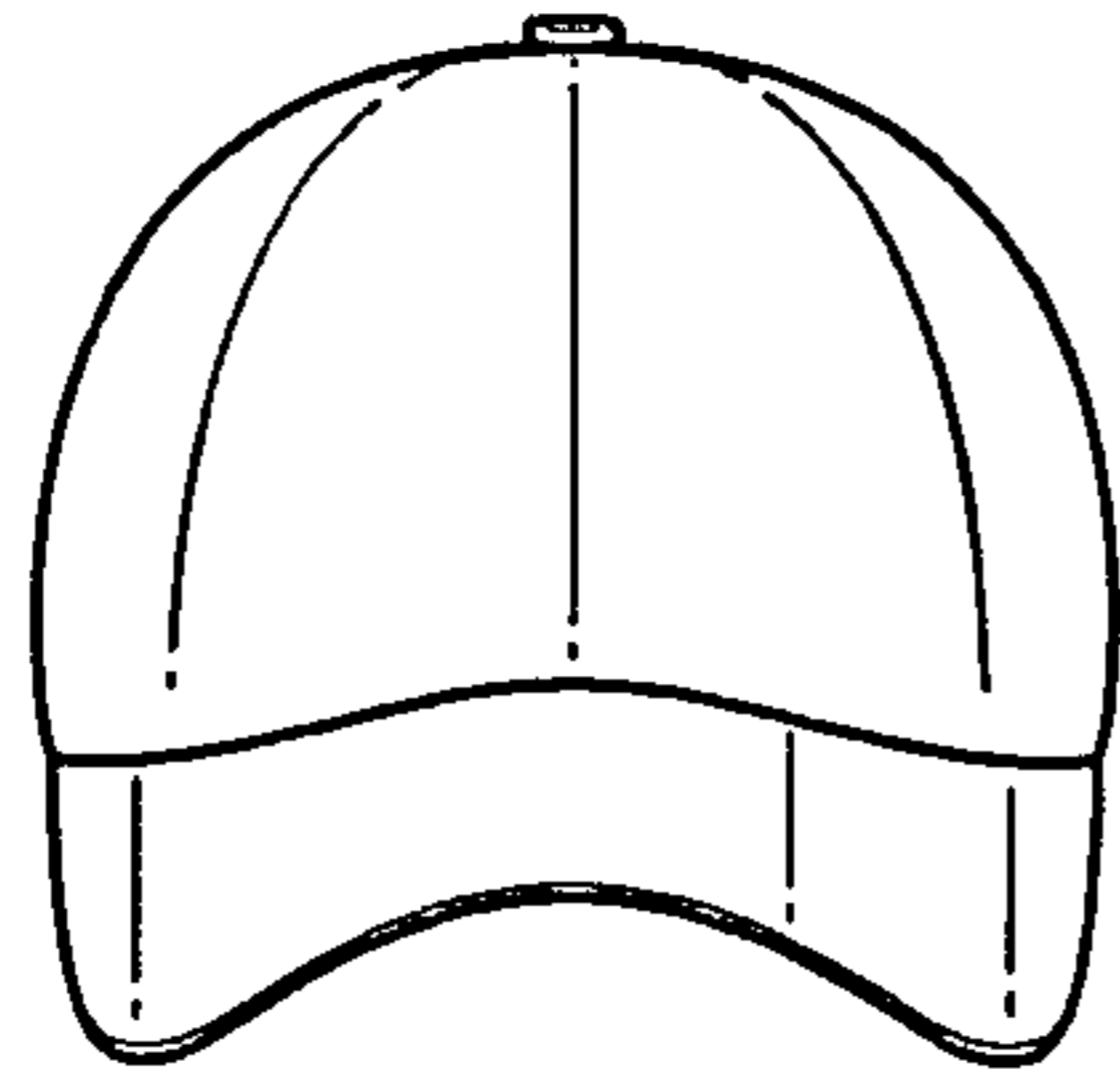


FIG. 4

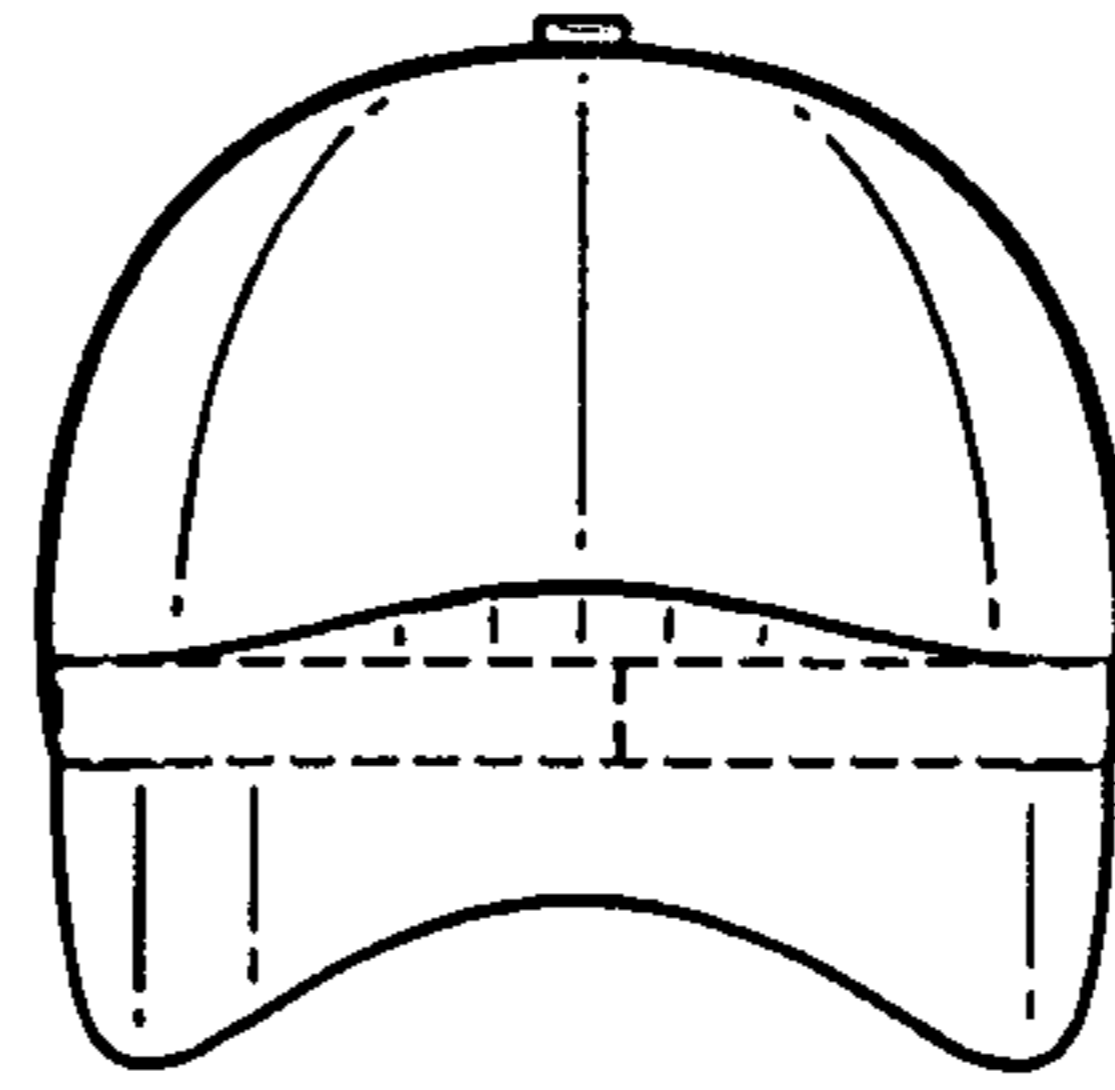


FIG. 5

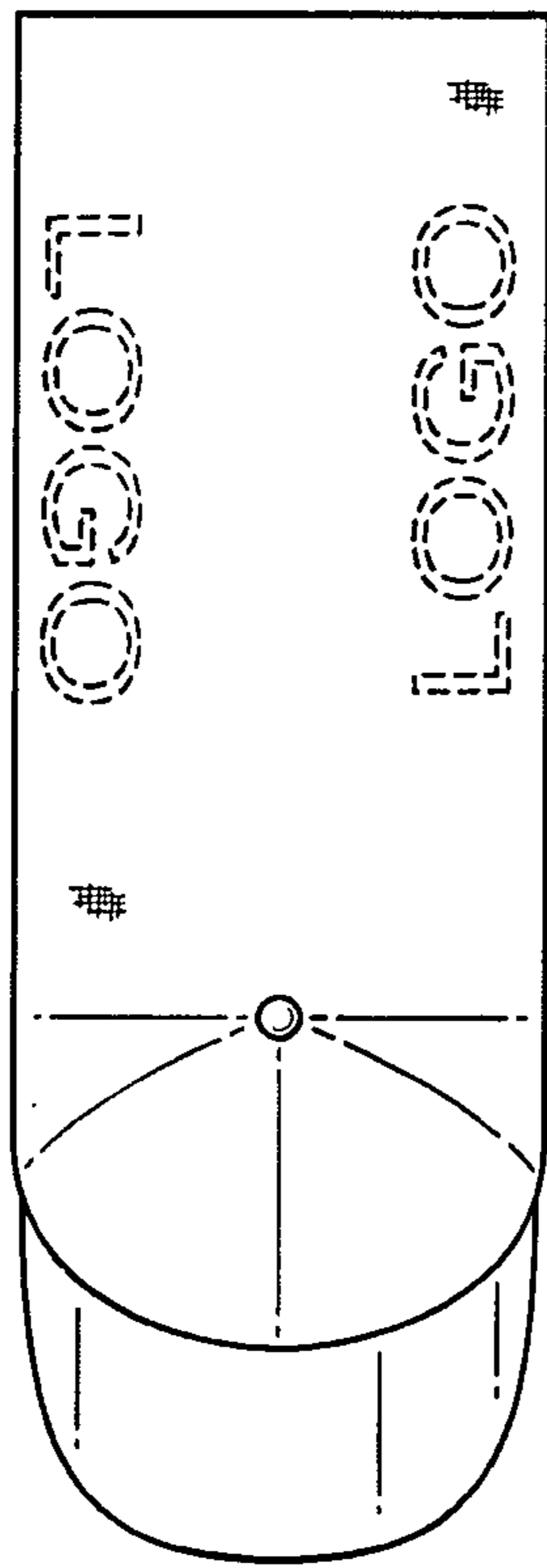


FIG. 6

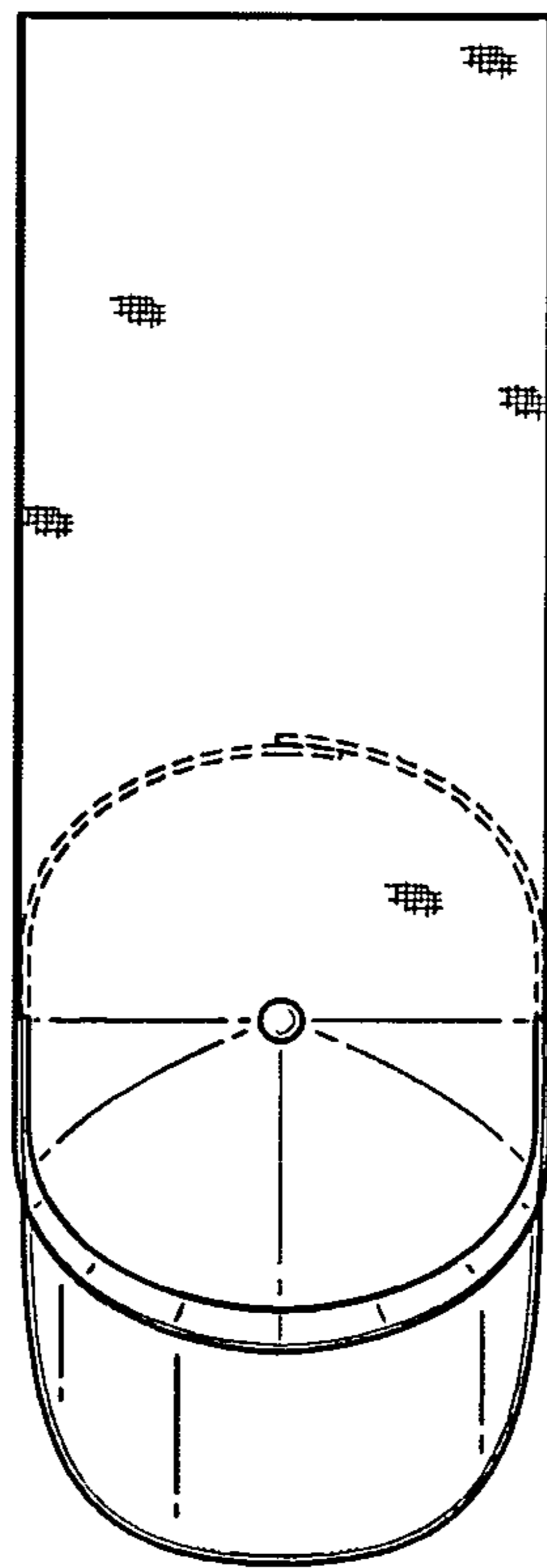


FIG. 7

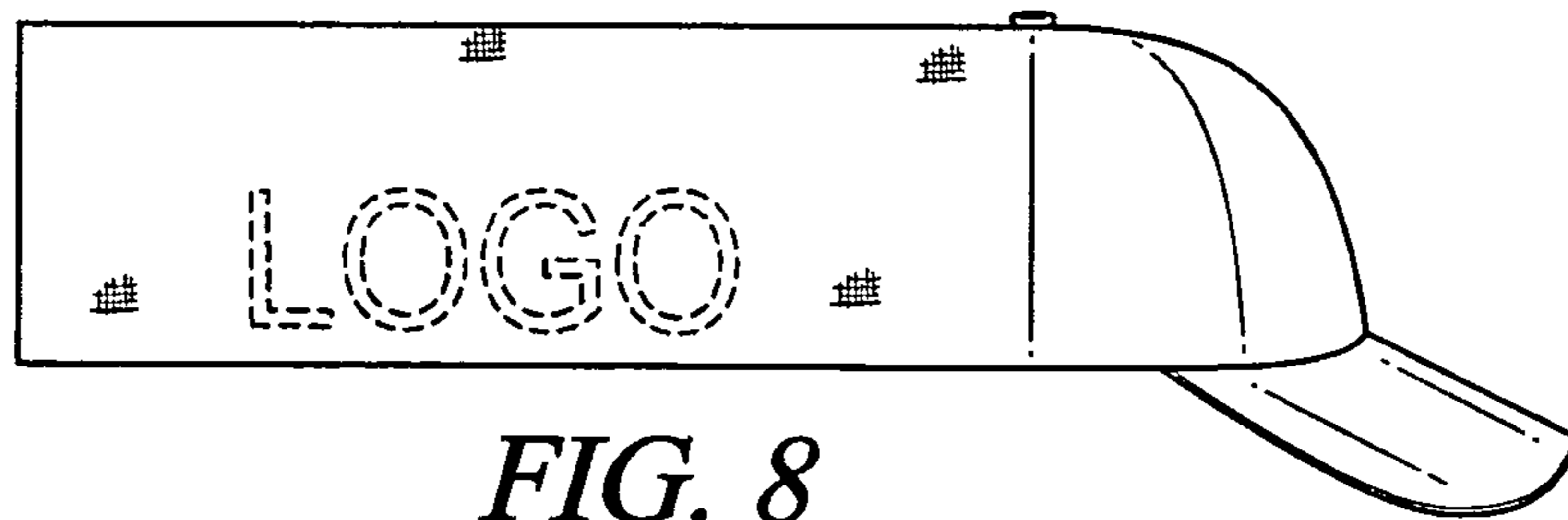


FIG. 8